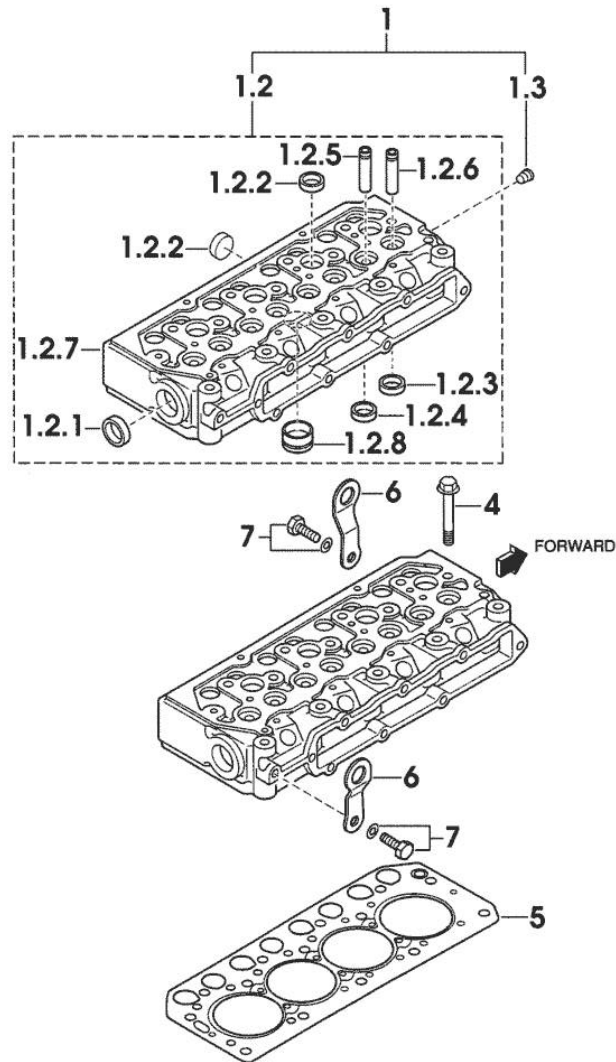


Section: ENGINE  
**CYLINDER HEAD**



| Fig. | P/n | QTY | Name |
|------|-----|-----|------|
|------|-----|-----|------|

Notes:  
 [SOLARIS 40]

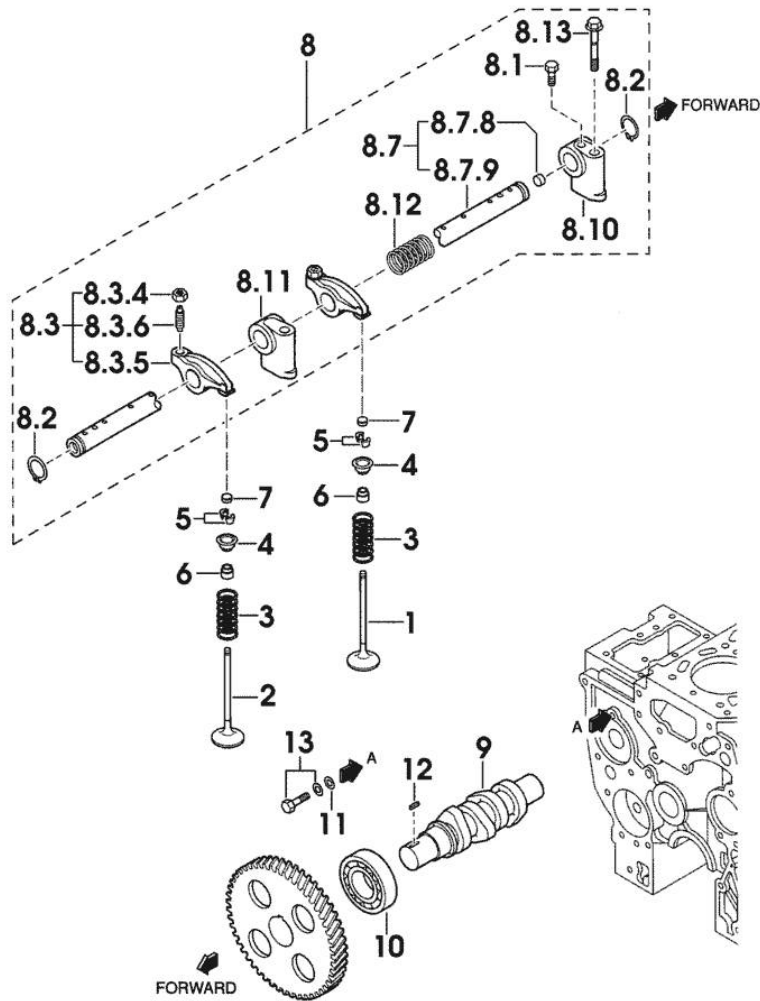
|       |              |    |                    |
|-------|--------------|----|--------------------|
| 1     | 0.010.3986.0 | 1  | engine head        |
| 1.2   | 0.000.0000.1 |    | cannot be supplied |
| 1.2.1 | 0.010.2634.1 | 1  | plug               |
| 1.2.2 | 0.010.2636.1 | 7  | plug               |
| 1.2.3 | 0.000.0000.1 |    | cannot be supplied |
| 1.2.4 | 0.000.0000.1 |    | cannot be supplied |
| 1.2.5 | 0.010.2634.2 | 4  | valve guide        |
| 1.2.6 | 0.010.2635.0 | 4  | valve guide        |
| 1.2.7 | 0.000.0000.1 |    | cannot be supplied |
| 1.2.8 | 0.010.2636.2 | 4  | special bushing    |
| 1.3   | 0.009.4545.1 | 1  | plug               |
| 4     | 0.010.2633.1 | 14 | screw              |
| 5     | 0.010.2635.2 | 1  | gasket             |
| 6     | 0.009.4541.2 | 2  | bracket            |
| 7     | 0.010.2633.0 | 2  | screw              |

01011-001E 45CV

Section: ENGINE  
CYLINDER HEAD

| Fig. | P/n | QTY | Name |
|------|-----|-----|------|
|------|-----|-----|------|

Notes:  
[SOLARIS 40]



|       |              |    |                        |
|-------|--------------|----|------------------------|
| 1     | 0.010.2637.2 | 4  | inlet valve Ø mm 6.5   |
| 2     | 0.010.2638.0 | 4  | exhaust valve Ø mm 6.5 |
| 3     | 0.010.2638.1 | 8  | spring                 |
| 4     | 0.010.3992.2 | 8  | cup                    |
| 5     | 0.009.4561.2 | 16 | stop                   |
| 6     | 0.009.4562.0 | 8  | gasket                 |
| 7     | 0.010.2639.0 | 8  | cap                    |
| 8     | 0.000.0000.1 | 1  | cannot be supplied     |
| 8.1   | 0.010.2640.1 | 1  | screw                  |
| 8.2   | 0.009.4559.0 | 2  | ring                   |
| 8.3   | 0.010.3949.0 | 8  | rocker arm             |
| 8.3.4 | 0.010.2641.0 | 8  | nut                    |
| 8.3.5 | 0.000.0000.1 |    | cannot be supplied     |
| 8.3.6 | 0.010.3949.1 | 8  | register               |
| 8.7   | 0.010.2644.1 | 1  | shaft                  |
| 8.7.8 | 0.010.2643.0 | 2  | plug                   |
| 8.7.9 | 0.000.0000.1 |    | cannot be supplied     |
| 8.10  | 0.010.2642.0 | 1  | support                |
| 8.11  | 0.010.2642.1 | 3  | support                |
| 8.12  | 0.010.2643.1 | 3  | spring                 |
| 8.13  | 0.010.2643.2 | 4  | screw                  |
| 9     | 0.010.2644.0 | 1  | camshaft               |
| 10    | 0.009.4567.0 | 1  | special bearing        |
| 11    | 0.009.4566.0 | 1  | washer                 |
| 12    | 0.009.4567.2 | 1  | stick                  |
| 13    | 0.010.2639.1 | 1  | screw                  |

01021-013E

Section: ENGINE

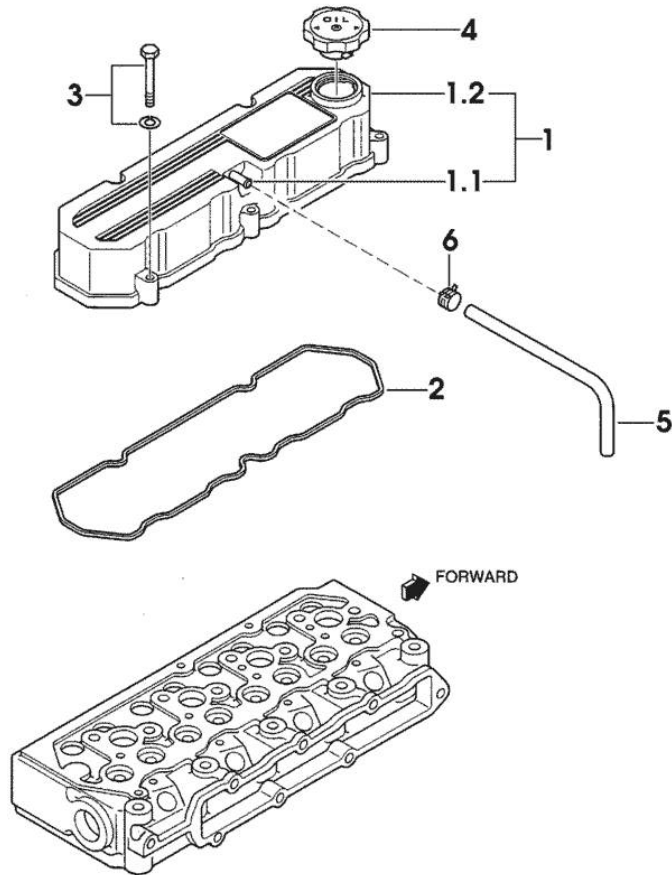
**CYLINDER HEAD COVER**

| Fig. | P/n | QTY | Name |
|------|-----|-----|------|
|------|-----|-----|------|

**Notes:**

[SOLARIS 40]

|     |              |   |                    |
|-----|--------------|---|--------------------|
| 1   | 0.010.2647.1 | 1 | cover              |
| 1.1 | 0.000.0000.1 |   | cannot be supplied |
| 1.2 | 0.000.0000.1 |   | cannot be supplied |
| 2   | 0.010.2647.2 | 1 | gasket             |
| 3   | 0.010.2645.2 | 5 | screw              |
| 4   | 0.009.4548.0 | 1 | plug               |
| 5   | 0.009.4781.2 | 1 | tube               |
| 6   | 0.010.2206.0 | 1 | clamp              |



01031-015E

**<https://www.ebooklibonline.com>**

Hello dear friend!

Thank you very much for reading.

Enter the link into your browser.

The full manual is available for immediate download.

**<https://www.ebooklibonline.com>**

Section: ENGINE

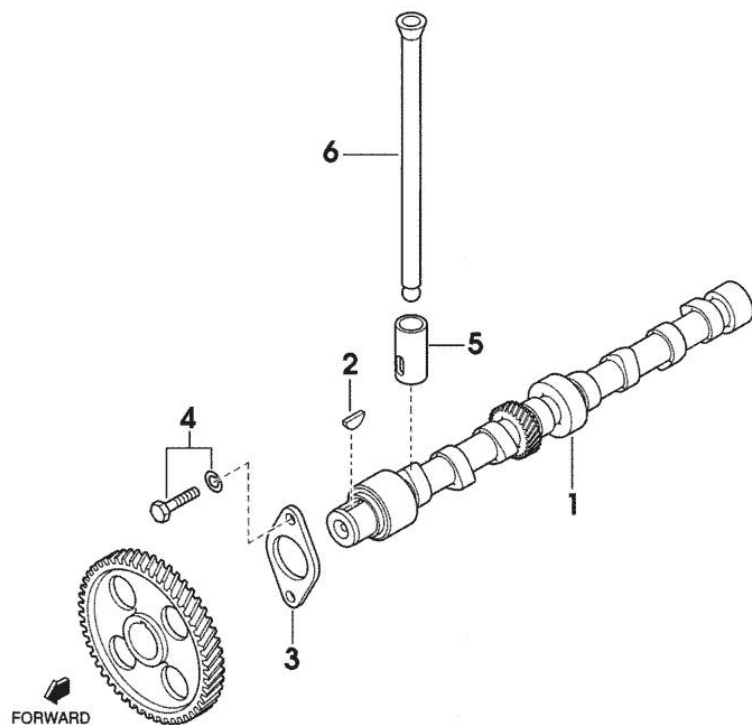
**CAMSHAFT**

| Fig. | P/n | QTY | Name |
|------|-----|-----|------|
|------|-----|-----|------|

**Notes:**

[SOLARIS 40]

|   |              |   |             |
|---|--------------|---|-------------|
| 1 | 0.010.3949.2 | 1 | camshaft    |
| 2 | 0.009.4555.1 | 1 | key         |
| 3 | 0.010.3950.0 | 1 | small plate |
| 4 | 0.010.2639.1 | 2 | screw       |
| 5 | 0.010.3950.1 | 8 | tappets     |
| 6 | 0.010.2646.2 | 8 | rod         |

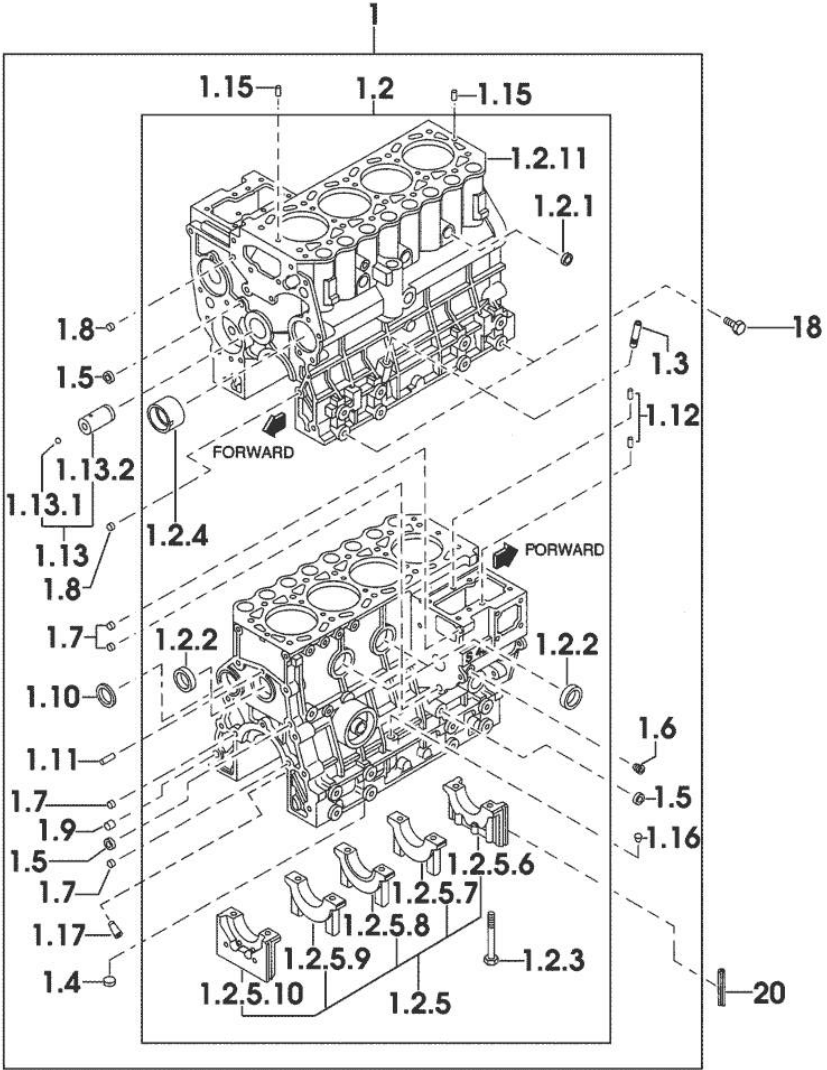


01031-016E

Section: ENGINE  
**CRANKCASE**

| Fig. | P/n | QTY | Name |
|------|-----|-----|------|
|------|-----|-----|------|

Notes:  
 [SOLARIS 40]



|          |              |    |                    |
|----------|--------------|----|--------------------|
| 1        | 0.010.3961.1 | 1  | crankcase          |
| 1.2      | 0.000.0000.1 |    | cannot be supplied |
| 1.2.1    | 0.010.2652.1 | 3  | special bushing    |
| 1.2.2    | 0.010.2652.2 | 3  | special bushing    |
| 1.2.3    | 0.010.2653.0 | 10 | screw              |
| 1.2.4    | 0.010.2653.1 | 1  | special bushing    |
| 1.2.5    | 0.000.0000.1 |    | cannot be supplied |
| 1.2.5.6  | 0.000.0000.1 |    | cannot be supplied |
| 1.2.5.7  | 0.000.0000.1 |    | cannot be supplied |
| 1.2.5.8  | 0.000.0000.1 |    | cannot be supplied |
| 1.2.5.9  | 0.000.0000.1 |    | cannot be supplied |
| 1.2.5.10 | 0.000.0000.1 |    | cannot be supplied |
| 1.2.11   | 0.000.0000.1 |    | cannot be supplied |
| 1.3      | 0.009.4523.2 | 1  | guide              |
| 1.4      | 0.010.2649.0 | 1  | plug               |
| 1.5      | 0.010.2649.1 | 3  | special bushing    |
| 1.6      | 0.009.4545.1 | 1  | plug               |
| 1.7      | 0.009.4524.2 | 4  | special bushing    |
| 1.8      | 0.009.4525.1 | 2  | special bushing    |
| 1.9      | 0.009.4525.2 | 1  | special bushing    |
| 1.10     | 0.009.4524.1 | 1  | expansion plug     |
| 1.11     | 0.010.3951.0 | 1  | pin                |
| 1.12     | 0.009.4523.0 | 2  | pin                |
| 1.13     | 0.010.2650.0 | 1  | pin                |
| 1.13.1   | 0.010.2650.1 | 1  | ball               |
| 1.13.2   | 0.000.0000.1 |    | cannot be supplied |
| 1.15     | 0.010.2651.0 | 2  | pin                |
| 1.16     | 0.010.2651.1 | 1  | plug               |
| 1.17     | 0.010.3961.2 | 4  | sprayers           |
| 18       | 0.010.2648.1 | 4  | screw              |
| 20       | 0.010.2651.2 | 4  | gasket             |

01041-019E 45CV

Section: ENGINE

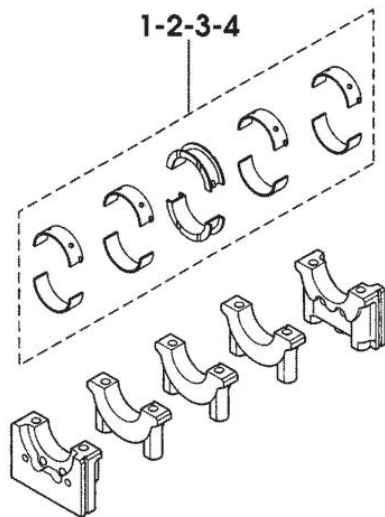
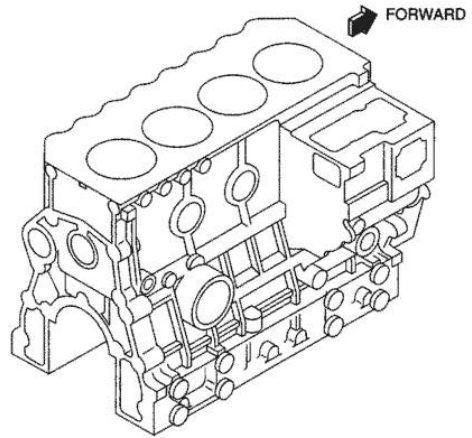
**MAIN BEARINGS**

| Fig. | P/n | QTY | Name |
|------|-----|-----|------|
|------|-----|-----|------|

**Notes:**

[SOLARIS 40]

|   |              |   |                             |
|---|--------------|---|-----------------------------|
| 1 | 0.010.2656.2 | 1 | main half bushing STANDARD  |
| 2 | 0.010.2657.0 | 1 | main half bushing - mm 0.25 |
| 3 | 0.010.2657.1 | 1 | main half bushing - mm 0.50 |
| 4 | 0.010.2657.2 | 1 | main half bushing - mm 0.75 |



0104B1-001E

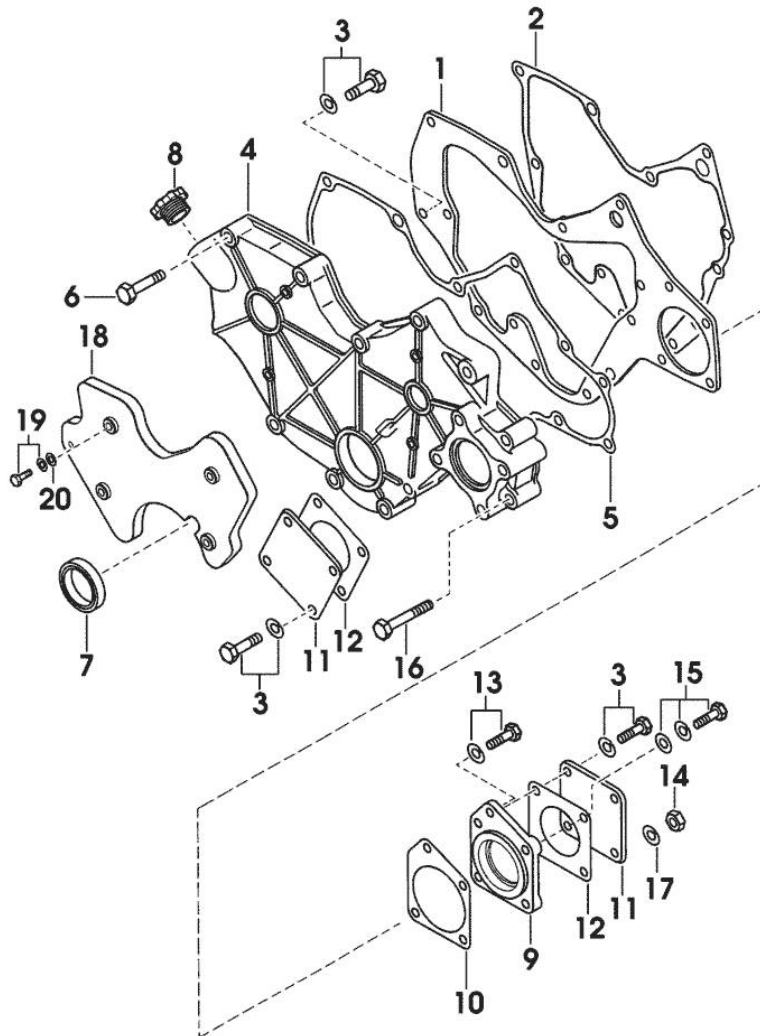
Section: ENGINE

**TIMING CASE**

| Fig. | P/n | QTY | Name |
|------|-----|-----|------|
|------|-----|-----|------|

Notes:  
[SOLARIS 40]

|    |              |    |               |
|----|--------------|----|---------------|
| 1  | 0.010.2658.0 | 1  | plate         |
| 2  | 0.010.2658.1 | 1  | gasket        |
| 3  | 0.010.2639.1 | 10 | screw         |
| 4  | 0.010.3951.1 | 1  | flange        |
| 5  | 0.010.2659.0 | 1  | gasket        |
| 6  | 0.010.2659.1 | 8  | screw         |
| 7  | 0.009.4537.0 | 1  | gasket        |
| 8  | 0.010.3951.2 | 1  | plug          |
| 9  | 0.010.2660.0 | 1  | flange        |
| 10 | 0.010.2660.1 | 1  | gasket        |
| 11 | 0.009.4756.0 | 2  | cover         |
| 12 | 0.010.3952.0 | 2  | gasket        |
| 13 | 0.010.2661.0 | 1  | screw         |
| 14 | 0.010.2661.1 | 2  | nut           |
| 15 | 0.010.3952.1 | 1  | screw         |
| 16 | 0.010.3952.2 | 2  | screw         |
| 17 | 0.009.4539.2 | 2  | spring washer |
| 18 | 0.010.3953.0 | 1  | cover         |
| 19 | 0.010.2662.2 | 4  | screw         |
| 20 | 0.010.2663.0 | 4  | washer        |



01051-018

Section: ENGINE

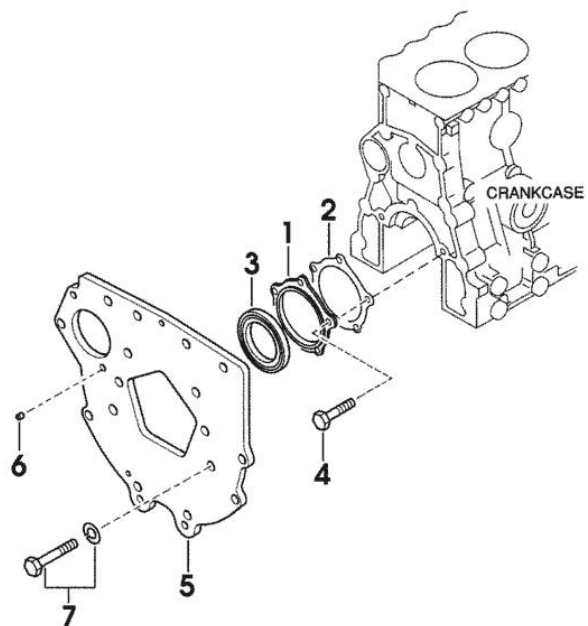
**FLYWHEEL HOUSING**

| Fig. | P/n | QTY | Name |
|------|-----|-----|------|
|------|-----|-----|------|

**Notes:**

[SOLARIS 40]

|   |              |    |                  |
|---|--------------|----|------------------|
| 1 | 0.010.2654.2 | 1  | flange           |
| 2 | 0.010.2655.0 | 1  | gasket           |
| 3 | 0.010.2655.1 | 1  | special oil seal |
| 4 | 0.010.2655.2 | 5  | screw            |
| 5 | 0.010.3953.1 | 1  | flange           |
| 6 | 0.009.4532.2 | 1  | pin              |
| 7 | 0.010.3953.2 | 10 | screw            |



01061-019E

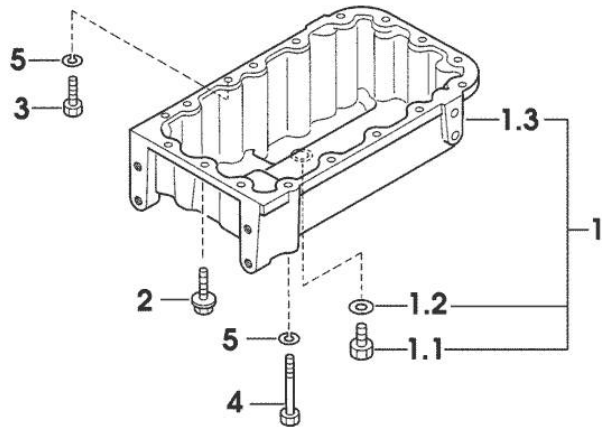
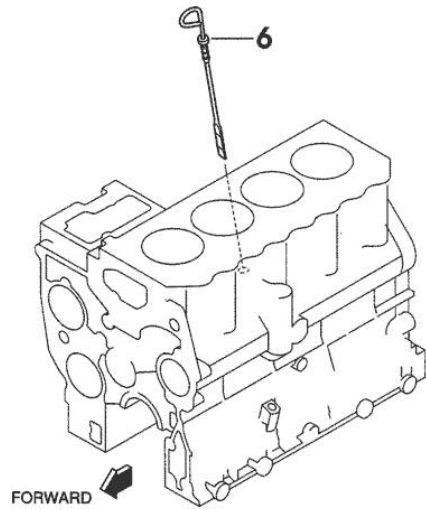
**OIL PAN**

| Fig. | P/n | QTY | Name |
|------|-----|-----|------|
|------|-----|-----|------|

**Notes:**

[SOLARIS 40]

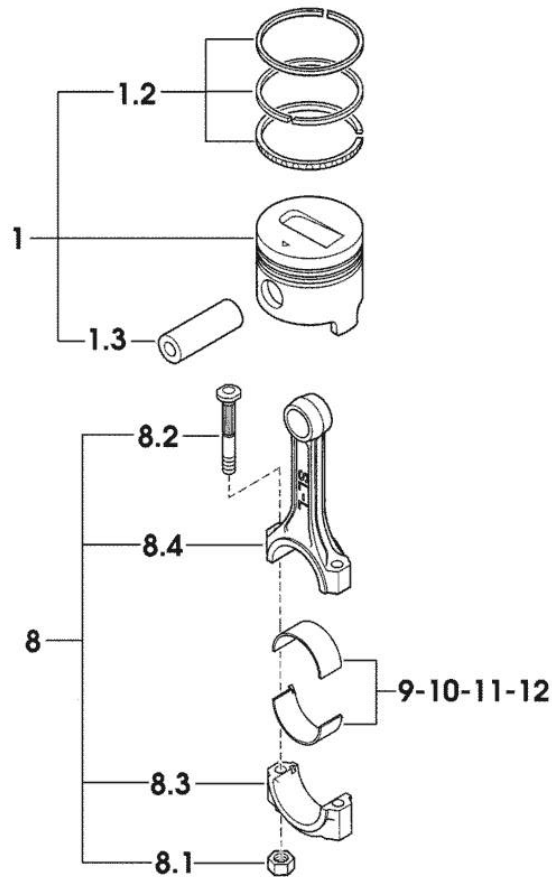
|     |              |    |                    |
|-----|--------------|----|--------------------|
| 1   | 0.010.3954.0 | 1  | oil sump           |
| 1.1 | 0.010.2664.0 | 1  | plug               |
| 1.2 | 0.010.2663.2 | 1  | gasket             |
| 1.3 | 0.000.0000.1 |    | cannot be supplied |
| 2   | 0.010.3954.1 | 12 | screw              |
| 3   | 0.010.2664.2 | 1  | screw              |
| 4   | 0.010.2665.0 | 4  | screw              |
| 5   | 0.010.2665.1 | 5  | washer             |
| 6   | 0.010.2687.1 | 1  | dipstick           |



01071-038E

Section: ENGINE

**PISTON - CONNECTING ROD**



| Fig. | P/n | QTY | Name |
|------|-----|-----|------|
|------|-----|-----|------|

Notes:

[SOLARIS 40]

|     |              |   |                                |
|-----|--------------|---|--------------------------------|
| 1   | 0.009.0060.6 | 4 | complete piston STANDARD       |
| 1   | 0.009.0061.6 | 4 | complete piston + mm 0.25      |
| 1   | 0.009.0062.6 | 4 | complete piston + mm 0.50      |
| 1.2 | 0.008.0052.6 | 4 | piston ring set STANDARD       |
| 1.2 | 0.008.0053.6 | 4 | piston ring set + mm 0.25      |
| 1.2 | 0.008.0054.6 | 4 | piston ring set + mm 0.50      |
| 1.3 | 0.010.2668.0 | 4 | piston pin                     |
| 8   | 0.010.2671.2 | 4 | engine connecting rod          |
| 8.1 | 0.009.4783.0 | 8 | nut                            |
| 8.2 | 0.010.2668.2 | 8 | screw                          |
| 8.3 | 0.000.0000.1 |   | cannot be supplied             |
| 8.4 | 0.000.0000.1 |   | cannot be supplied             |
| 9   | 0.009.4782.1 | 4 | con.rod half bushing STANDARD  |
| 10  | 0.010.2669.0 | 4 | con.rod half bushing - mm 0.25 |
| 11  | 0.010.2669.1 | 4 | con.rod half bushing - mm 0.50 |
| 12  | 0.010.2669.2 | 4 | con.rod half bushing - mm 0.75 |

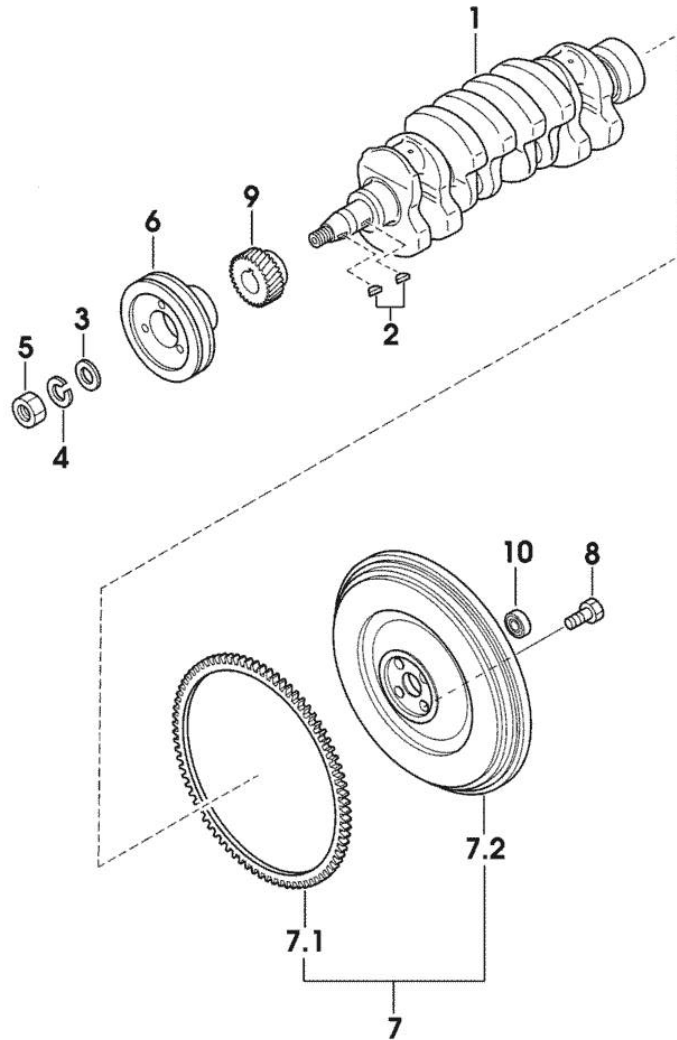
0108A1-002 45CV

**CRANKSHAFT - FLYWHEEL**

| Fig. | P/n | QTY | Name |
|------|-----|-----|------|
|------|-----|-----|------|

**Notes:**

[SOLARIS 40]



|     |              |   |                    |
|-----|--------------|---|--------------------|
| 1   | 0.010.2672.0 | 1 | crankshaft         |
| 2   | 0.009.4555.1 | 2 | key                |
| 3   | 0.009.4554.2 | 1 | flat washer        |
| 4   | 0.009.4555.0 | 1 | spring washer      |
| 5   | 0.009.4554.1 | 1 | nut                |
| 6   | 0.010.2672.2 | 1 | pulley             |
| 7   | 0.010.3954.2 | 1 | flywheel           |
| 7.1 | 0.010.2671.0 | 1 | crown wheel Z=110  |
| 7.2 | 0.000.0000.1 | 1 | cannot be supplied |
| 8   | 0.009.4557.0 | 4 | screw              |
| 9   | 0.010.3955.0 | 1 | gear Z = 28        |
| 10  | 0.009.4556.1 | 1 | special bearing    |

0108B1-021

Section: ENGINE

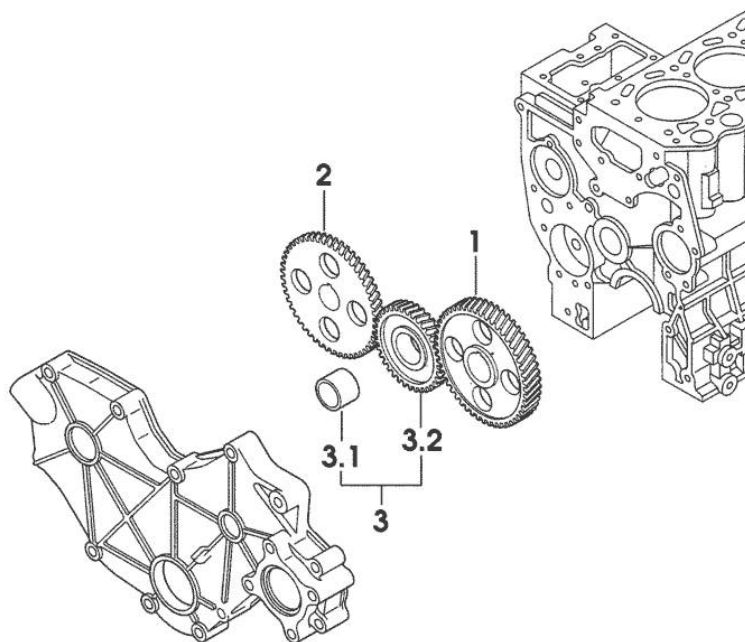
**CAMSHAFT**

| Fig. | P/n | QTY | Name |
|------|-----|-----|------|
|------|-----|-----|------|

**Notes:**

[SOLARIS 40]

|     |              |   |                    |
|-----|--------------|---|--------------------|
| 1   | 0.010.3955.1 | 1 | gear z=56          |
| 2   | 0.010.3955.2 | 1 | gear z=56          |
| 3   | 0.010.3956.0 | 1 | gear z=39          |
| 3.1 | 0.000.0000.1 |   | cannot be supplied |
| 3.2 | 0.000.0000.1 |   | cannot be supplied |



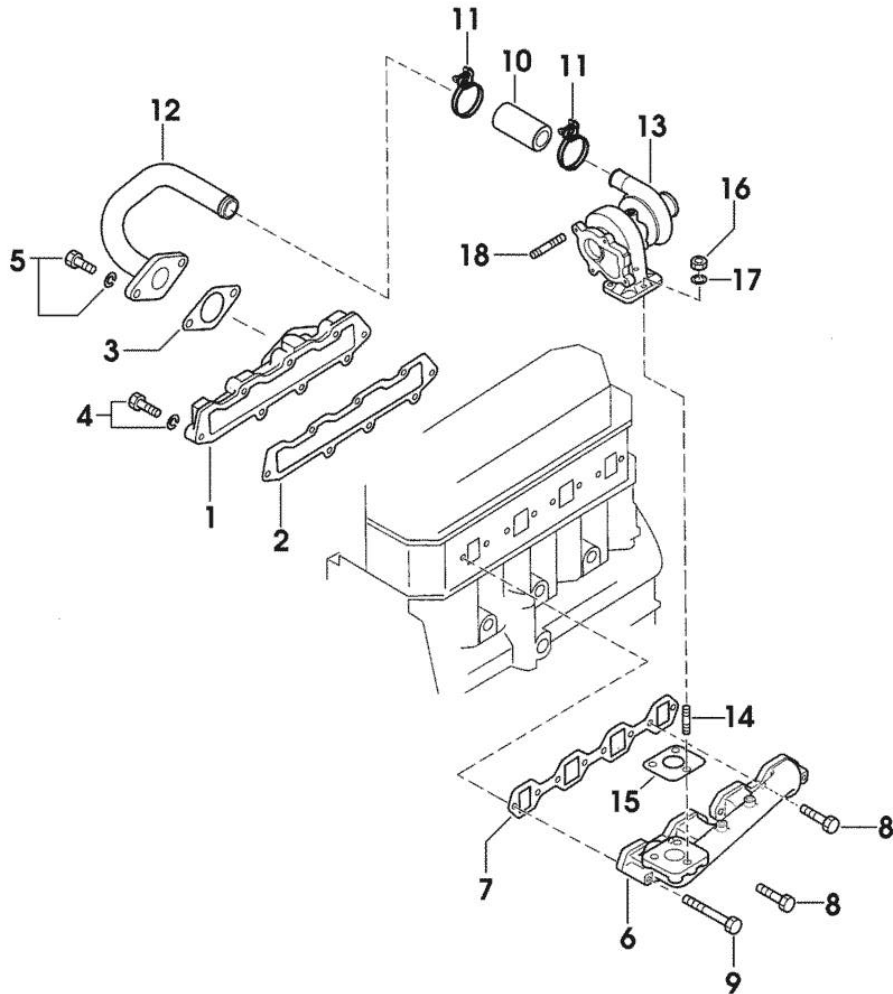
01091-020E

Section: ENGINE  
**INTAKE AND EXHAUST**

| Fig. | P/n | QTY | Name |
|------|-----|-----|------|
|------|-----|-----|------|

Notes:  
 [SOLARIS 40]

|    |              |   |                  |
|----|--------------|---|------------------|
| 1  | 0.010.2678.2 | 1 | cover            |
| 2  | 0.010.2678.1 | 1 | gasket           |
| 3  | 0.010.2676.2 | 1 | gasket           |
| 4  | 0.010.2677.0 | 8 | screw            |
| 5  | 0.010.2677.1 | 2 | screw            |
| 6  | 0.010.3956.1 | 1 | exhaust manifold |
| 7  | 0.010.2680.1 | 1 | gasket           |
| 8  | 0.010.3956.2 | 6 | screw            |
| 9  | 0.010.3957.0 | 2 | screw            |
| 10 | 0.010.2679.0 | 1 | sleeve           |
| 11 | 0.010.3964.2 | 2 | clamp            |
| 12 | 0.010.3965.0 | 1 | small plate      |
| 13 | 0.010.2681.0 | 1 | turbo charger    |
| 14 | 0.009.4796.1 | 3 | stud bolt        |
| 15 | 0.009.4798.0 | 1 | gasket           |
| 16 | 0.009.4799.2 | 3 | nut              |
| 17 | 0.009.4842.0 | 3 | flat washer      |
| 18 | 0.009.4842.1 | 4 | stud bolt        |



02011-038E



**Suggest:**

**For more complete manuals. Please go to the home page.**

**<https://www.ebooklibonline.com>**

**If the above button click is invalid. Please download this document first, and then click the above link to download the complete manual.**

**Thank you so much for reading**

Section: ENGINE

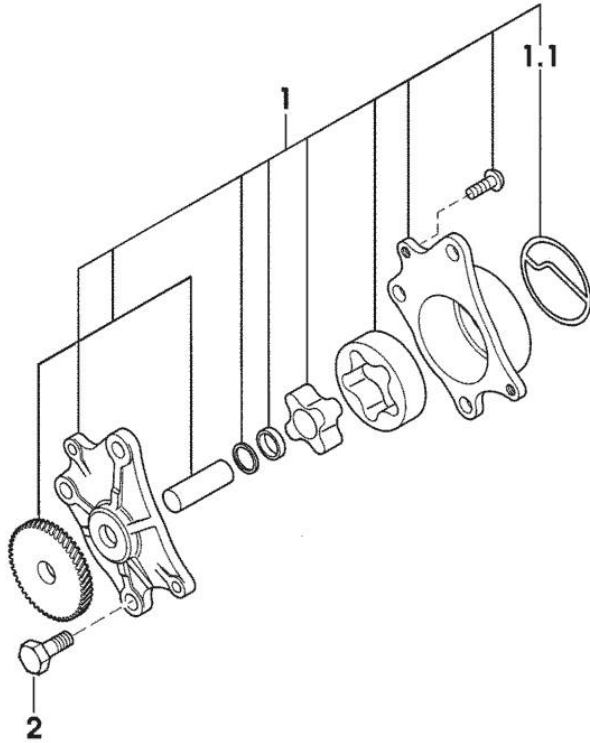
**OIL PUMP**

| Fig. | P/n | QTY | Name |
|------|-----|-----|------|
|------|-----|-----|------|

**Notes:**

[SOLARIS 40]

|     |              |   |          |
|-----|--------------|---|----------|
| 1   | 0.010.2684.2 | 1 | oil pump |
| 1.1 | 0.010.2685.0 | 1 | gasket   |
| 2   | 0.010.2685.1 | 3 | screw    |



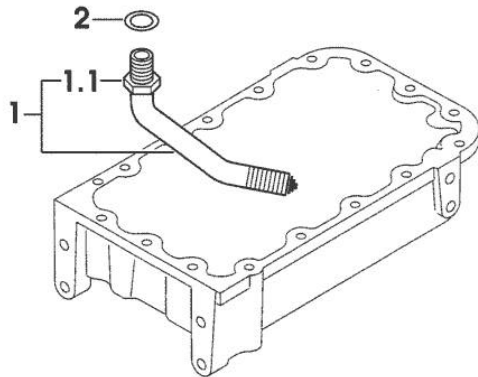
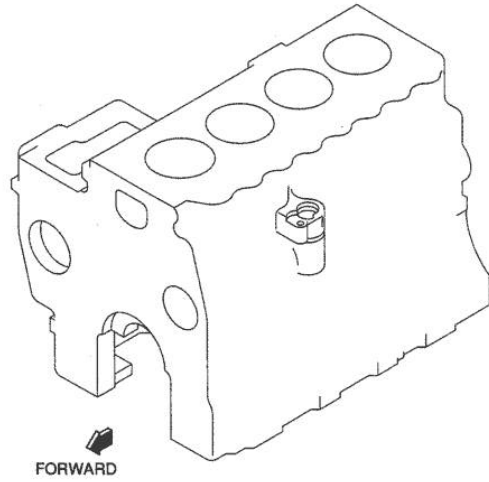
03011-001E

Section: ENGINE  
**LUBRICATION**

| Fig. | P/n | QTY | Name |
|------|-----|-----|------|
|------|-----|-----|------|

Notes:  
 [SOLARIS 40]

|     |              |   |                  |
|-----|--------------|---|------------------|
| 1   | 0.010.2685.2 | 1 | tube             |
| 1.1 | 0.009.4634.0 | 1 | self-locking nut |
| 2   | 0.009.4634.1 | 1 | gasket           |



03031-008E

**<https://www.ebooklibonline.com>**

Hello dear friend!

Thank you very much for reading.

Enter the link into your browser.

The full manual is available for immediate download.

**<https://www.ebooklibonline.com>**