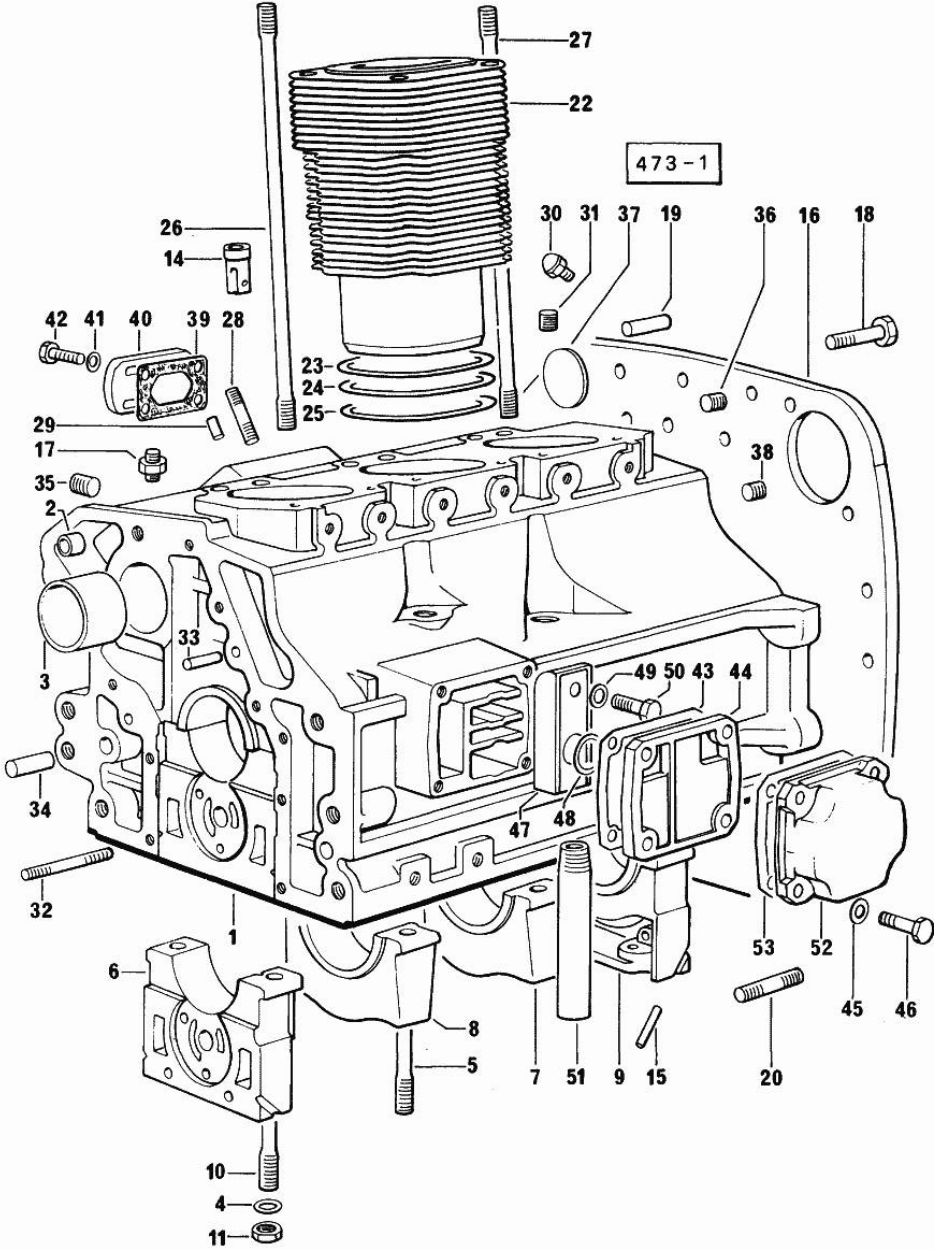


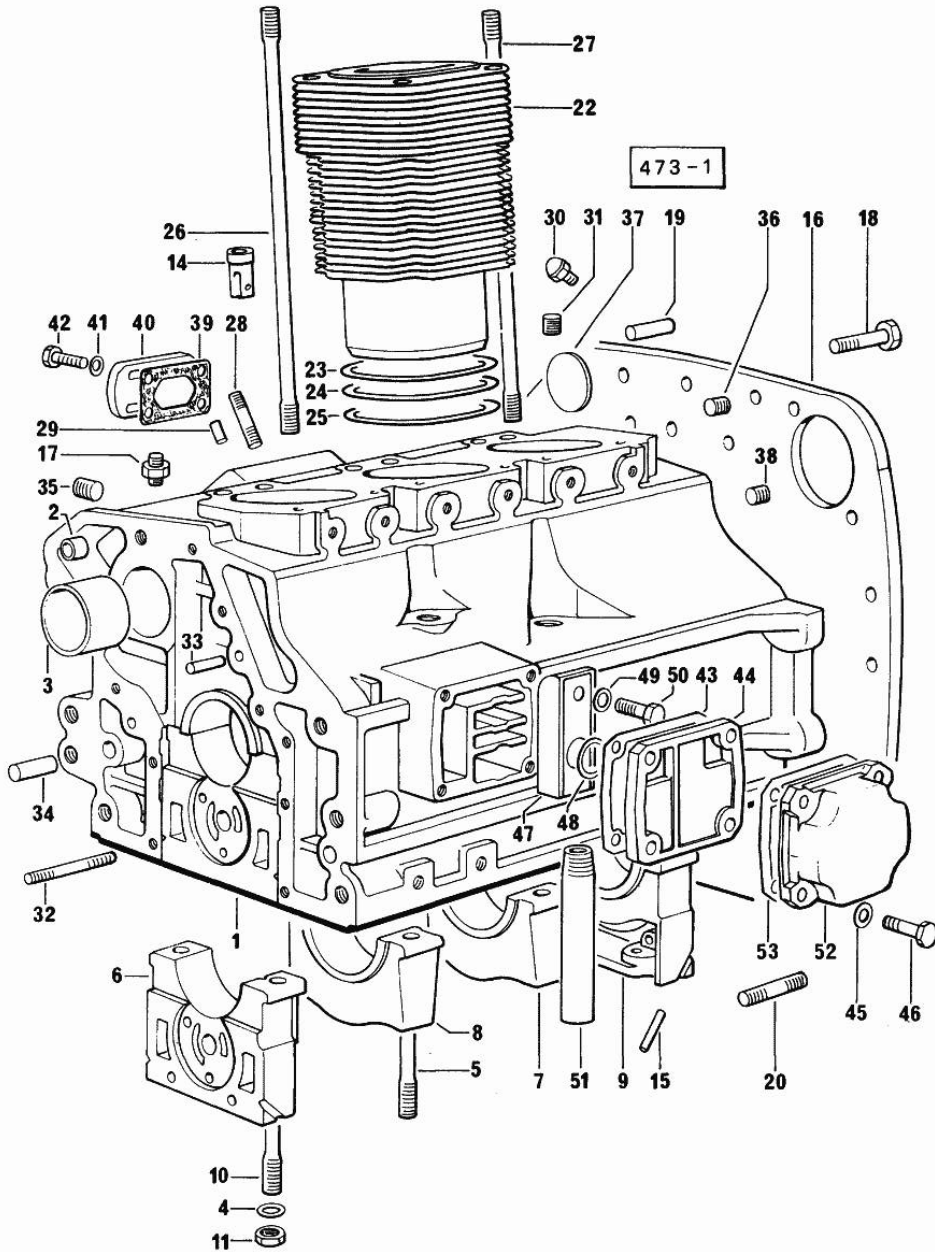
Section: ENGINE  
CRANKCASE

| Fig.                          | P/n             | QTY | Name                               |
|-------------------------------|-----------------|-----|------------------------------------|
| <b>Notes:</b><br>[SOLAR 60 C] |                 |     |                                    |
| 0                             | 0.054.0050.6    | 1   | gasket set<br>FOR ENGINE ASSEMBLY  |
| 1                             | 0.054.1110.4/40 | 1   | crankcase                          |
| 2                             | 2.1559.111.0/10 | 2   | special bushing 11.5x14.1x10       |
| 3                             | 0.037.1155.0    | 1   | bushing                            |
| 4                             | 2.1599.144.7    | 8   | shoulder ring 12.5x23x4            |
| 5                             | 0.029.1117.0    | 4   | stud bolt                          |
| 6                             | 0.054.1112.0    | 1   | support                            |
| 7                             | 0.037.1114.0    | 1   | support                            |
| 8                             | 0.029.1113.0    | 1   | support                            |
| 9                             | 0.029.1116.0    | 1   | support                            |
| 10                            | 0.021.1157.0    | 4   | stud bolt                          |
| 11                            | 2.1019.026.7    | 8   | special nut m 12 p.1.5             |
| 14                            | 0.044.1156.0    | 6   | special bushing                    |
| 15                            | 0.029.1154.0    | 4   | gasket                             |
| 16                            | 0.054.1130.0/10 | 1   | flange                             |
| 17                            | 0.054.1152.0    | 1   | pipe fitting                       |
| 18                            | 2.0112.511.1    | 11  | screw m 14 p.2 x 30                |
| 19                            | 2.1652.911.0    | 2   | cylindrical plug 12x25             |
| 20                            | 2.0432.153.7    | 2   | stud bolt m 10 p.1.5 / p.1.25 x 20 |
| 22                            | 0.044.1120.0/10 | 3   | engine cylinder                    |
| 23                            | 2.1589.052.0    | 7   | shoulder ring 115x123x0.2          |
| 24                            | 2.1589.051.0    | 3   | shoulder ring 116x123x0.1          |
| 25                            | 2.1569.076.0    | 3   | gasket 116x123x0.5                 |
| 26                            | 0.041.1123.0/10 | 3   | stud bolt                          |
| 27                            | 0.039.1122.0    | 12  | stud bolt m 12 p.1.5x310           |
| 28                            | 2.0432.003.7    | 4   | stud bolt m 8 p.1.25 / p.1 x 20    |
| 29                            | 2.1652.306.0    | 1   | cylindrical plug 4x14              |
| 30                            | 0.071.1151.3    | 3   | valve                              |
| 31                            | 2.3130.001.1    | 2   | plug 1/8" gas                      |
| 32                            | 2.0432.025.7    | 2   | stud bolt m 8 p.1.25 - 1.00 x 100  |
| 33                            | 2.1653.711.0    | 1   | pin                                |
| 34                            | 2.1699.114.0    | 1   | pin 8x55                           |
| 35                            | 2.3139.001.1    | 3   | plug                               |
| 36                            | 2.3130.002.1    | 1   | plug 1/4" gas                      |
| 37                            | 2.3170.022.1    | 1   | expansion plug 60                  |
| 38                            | 2.3130.003.1    | 2   | plug 3/8" gas                      |
| 39                            | 0.044.1151.0    | 1   | gasket                             |
| 40                            | 0.044.1164.2/10 | 1   | small cover                        |
| 41                            | 2.1310.004.2    | 4   | flat washer 8.4x17                 |
| 42                            | 2.0112.204.2    | 4   | screw m 8 p.1.25x14                |



Section: ENGINE  
**CRANKCASE**

| Fig. | P/n             | QTY | Name                  |
|------|-----------------|-----|-----------------------|
| 43   | 0.044.1153.0/10 | 1   | gasket                |
| 44   | 0.071.1153.0    | 1   | small cover           |
| 45   | 2.1474.009.1    | 4   | spring washer 8       |
| 46   | 2.0112.211.2    | 4   | screw m 8 p.1.25 x 30 |
| 47   | 0.071.1155.2    | 1   | small guard           |
| 48   | 0.076.1156.0    | 1   | -                     |
| 49   | 2.1474.009.1    | 1   | spring washer 8       |
| 50   | 2.0312.206.2    | 1   | screw m 8 p 1.25 x 20 |
| 51   | 0.044.1152.0/10 | 1   | tube                  |
| 52   | 0.071.1154.0    | 1   | small cover           |
| 53   | 0.044.1153.0/10 | 1   | gasket                |

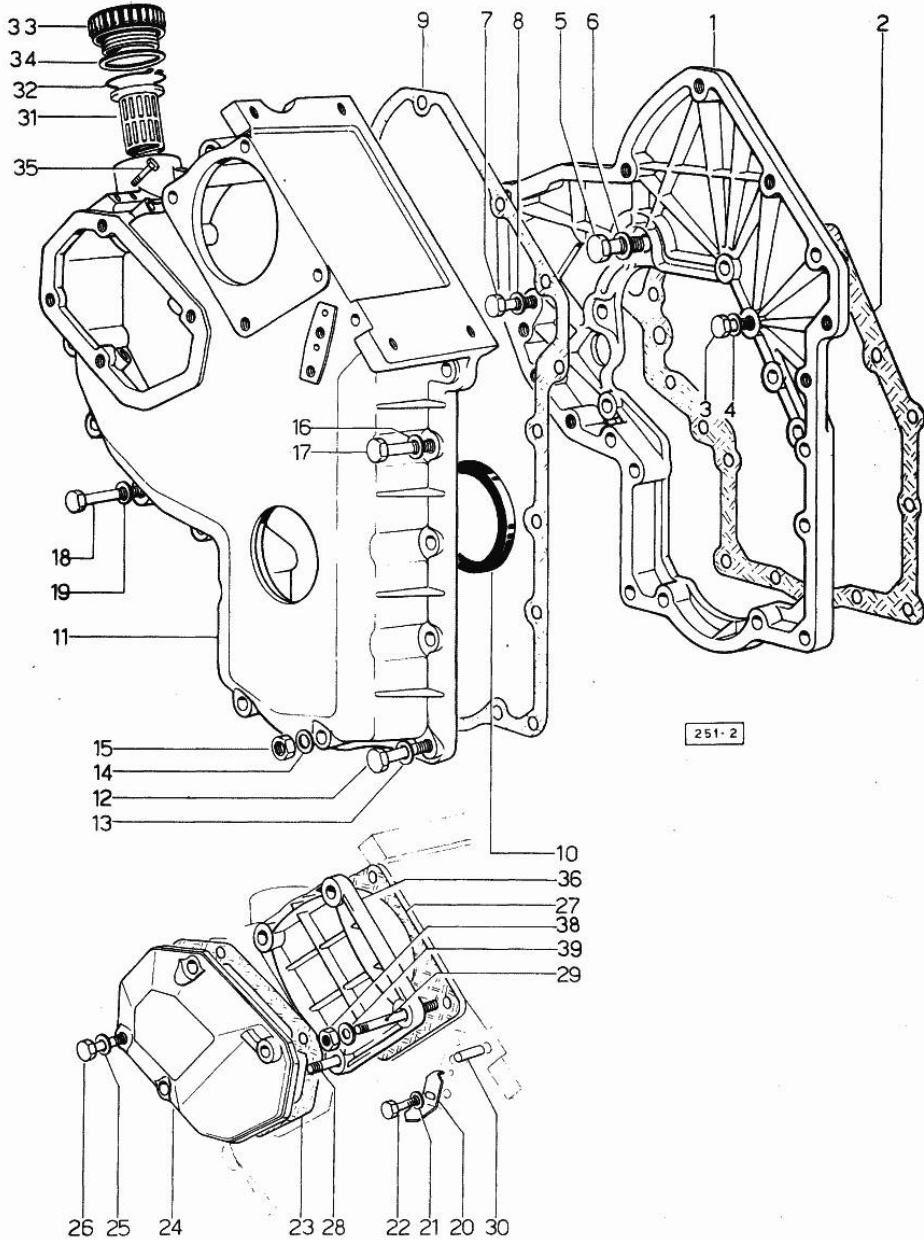


Section: ENGINE  
TIMING CASE

| Fig. | P/n | QTY | Name |
|------|-----|-----|------|
|------|-----|-----|------|

Notes:  
[SOLAR 60 C]

|    |                 |   |                            |
|----|-----------------|---|----------------------------|
| 1  | 0.048.1131.0    | 1 | flange                     |
| 2  | 0.041.1153.0    | 1 | gasket                     |
| 3  | 2.0112.209.2    | 2 | screw m 8 p 1.25 x 25      |
| 4  | 2.1474.009.1    | 5 | spring washer 8            |
| 5  | 2.0119.034.1    | 1 | screw m 14 p.2x20          |
| 6  | 2.1560.010.0    | 1 | gasket 14.2 x 20           |
| 7  | 2.0112.207.2    | 1 | screw m 8 p 1.25 x 20      |
| 8  | 2.1474.009.1    | 1 | spring washer 8            |
| 9  | 0.041.1152.0    | 1 | gasket                     |
| 10 | 2.1519.010.0    | 1 | special oil seal 58x80x10  |
| 11 | 0.048.1132.0/40 | 1 | guard                      |
| 12 | 2.0112.217.2    | 5 | screw m 8 p.1.25 x 45      |
| 13 | 2.1474.009.1    | 5 | spring washer 8            |
| 14 | 2.1560.003.0    | 2 | copper gasket 8.2 x 12     |
| 15 | 2.1011.405.2    | 2 | nut m 8 p.1                |
| 16 | 2.1474.009.1    | 2 | spring washer 8            |
| 17 | 2.0112.211.2    | 5 | screw m 8 p.1.25 x 30      |
| 18 | 2.0112.222.2    | 4 | screw m 8 p.1.25x65        |
| 19 | 2.1474.009.1    | 4 | spring washer 8            |
| 20 | 0.041.1158.0    | 1 | index                      |
| 21 | 2.1310.004.2    | 1 | flat washer 8.4x17         |
| 22 | 2.0112.204.2    | 1 | screw m 8 p.1.25x14        |
| 23 | 0.048.1151.0/10 | 1 | gasket                     |
| 24 | 0.048.1150.0/20 | 1 | cover                      |
| 25 | 2.1560.006.0    | 4 | gasket 10.2 x 16           |
| 26 | 2.0112.315.2    | 4 | screw m 10 p.1.5 x 40      |
| 27 | 0.041.1154.0    | 1 | gasket                     |
| 28 | 2.0432.015.7    | 1 | stud bolt m 8 p.1.25-1x50  |
| 29 | 2.0432.028.7    | 3 | stud bolt m 8 p.1.25-1x130 |
| 30 | 2.1653.717.0    | 1 | pin 8 x 40                 |
| 31 | 0.041.1159.0/10 | 1 | filter                     |
| 32 | 2.1411.012.1    | 1 | circlip 30                 |
| 33 | 0.041.1135.4    | 1 | plug 1" gas                |
| 34 | 2.1569.072.0    | 1 | gasket 32 x 39.5 x 2       |
| 35 | 2.0119.081.2    | 2 | screw                      |
| 36 | 0.037.1151.0/10 | 1 | cover                      |
| 38 | 2.1011.505.2    | 4 | nut m 8 p.1                |
| 39 | 2.1310.004.2    | 4 | flat washer 8.4x17         |



**<https://www.ebooklibonline.com>**

Hello dear friend!

Thank you very much for reading.

Enter the link into your browser.

The full manual is available for immediate download.

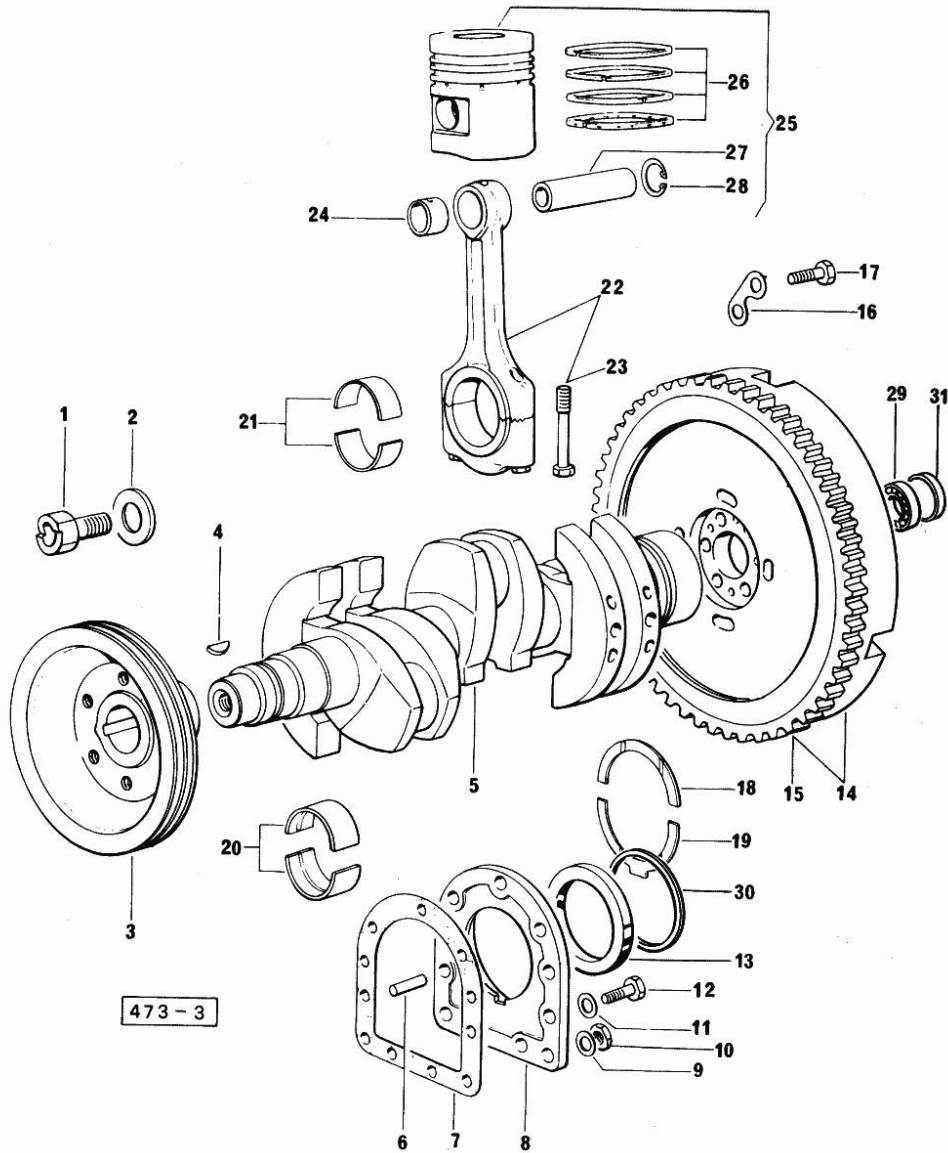
**<https://www.ebooklibonline.com>**

Section: ENGINE  
**CRANKSHAFT**

| Fig. | P/n | QTY | Name |
|------|-----|-----|------|
|------|-----|-----|------|

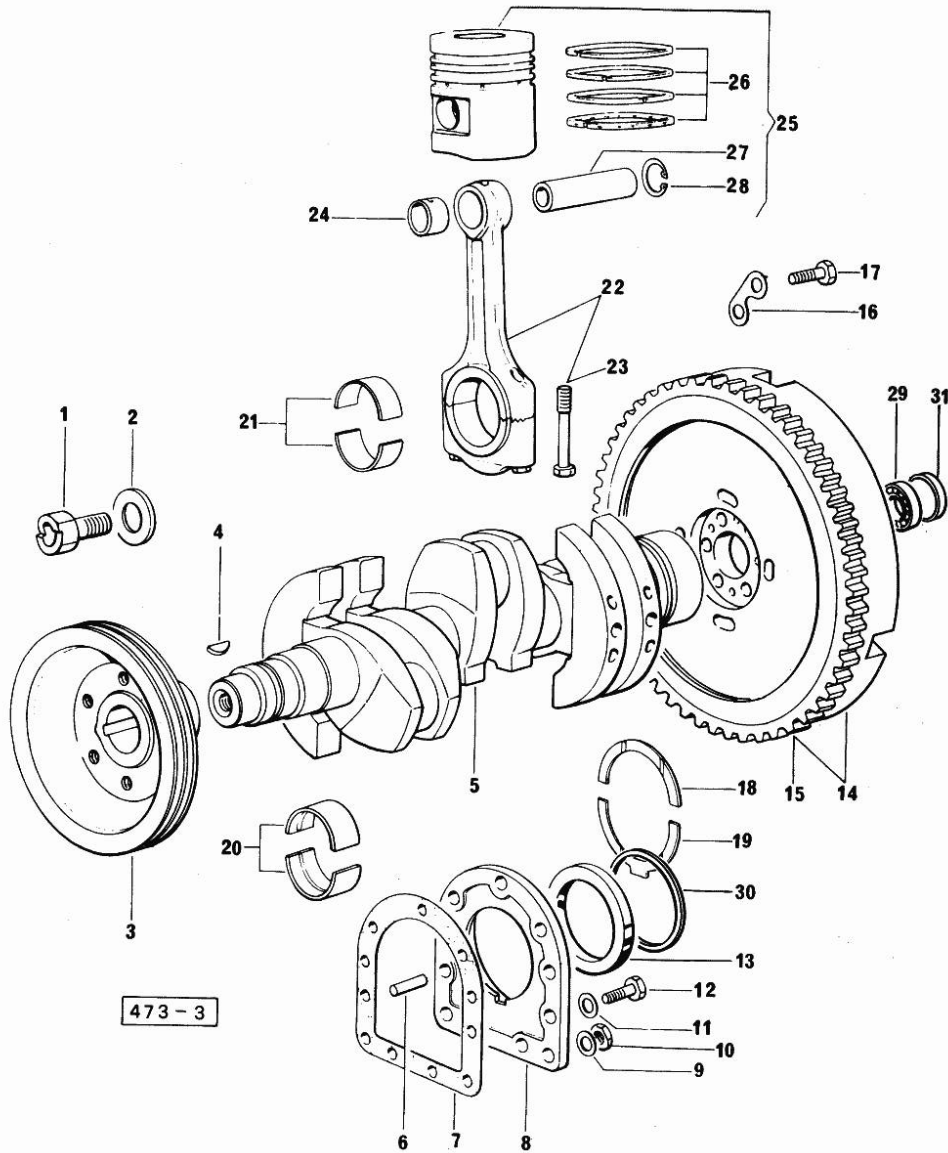
Notes:  
 [SOLAR 60 C]

|    |                 |   |                                |
|----|-----------------|---|--------------------------------|
| 1  | 2.0129.032.2    | 1 | screw m 24 p.2x45              |
| 2  | 0.001.6020.0    | 1 | shoulder                       |
| 3  | 0.062.1250.0    | 1 | pulley                         |
| 4  | 2.1799.026.0    | 1 | key 10x10                      |
| 5  | 0.053.1210.4/10 | 1 | crankshaft                     |
| 6  | 2.1652.915.0    | 2 | cylindrical plug 12x35         |
| 7  | 0.029.1250.0/10 | 1 | gasket                         |
| 8  | 0.045.1240.0    | 1 | flange                         |
| 9  | 2.1560.006.0    | 2 | gasket 10.2 x 16               |
| 10 | 2.1011.421.2    | 2 | nut m 10 p.1.25                |
| 11 | 2.1474.010.1    | 9 | spring washer 10               |
| 12 | 2.0112.309.2    | 9 | screw m 10 p.1.5 x 25          |
| 13 | 2.1529.045.0    | 1 | oil seal                       |
| 14 | 0.316.1241.3/20 | 1 | flywheel                       |
| 15 | 0.038.1242.0    | 1 | crown wheel Z = 120, mm 15     |
| 16 | 2.1379.006.0    | 3 | lock-tab 15x15x36,5            |
| 17 | 2.0122.517.7    | 6 | screw m 14 p.1.5x45            |
| 18 | 0.001.4544.0    |   | shoulder ring + mm 0.05        |
| 18 | 0.001.4545.0    |   | shoulder ring + mm 0.10        |
| 18 | 0.001.4546.0    |   | shoulder ring + mm 0.15        |
| 18 | 0.042.1218.0    | 2 | shoulder ring STANDARD         |
| 19 | 0.001.4547.0    |   | shoulder ring + mm 0.05        |
| 19 | 0.001.4548.0    |   | shoulder ring + mm 0.10        |
| 19 | 0.001.4549.0    |   | shoulder ring + mm 0.15        |
| 19 | 0.042.1219.0    | 2 | shoulder ring STANDARD         |
| 20 | 0.073.1215.0    | 8 | main half bushing STANDARD     |
| 20 | 0.073.1215.7    |   | main half bushing - mm 0.25    |
| 20 | 0.073.1215.8    |   | main half bushing - mm 0.50    |
| 20 | 0.073.1215.9    |   | main half bushing - mm 0.75    |
| 21 | 0.062.1225.0    | 6 | con.rod half bushing STANDARD  |
| 21 | 0.062.1225.7    |   | con.rod half bushing - mm 0.25 |
| 21 | 0.062.1225.8    |   | con.rod half bushing - mm 0.50 |
| 21 | 0.062.1225.9    |   | con.rod half bushing - mm 0.75 |
| 22 | 0.052.1220.3/10 | 3 | engine connecting rod          |
| 23 | 0.039.1250.0    | 6 | screw m 14 p.1.5x63            |
| 24 | 0.002.4168.0    | 3 | bearing                        |
| 25 | 0.054.0060.6/10 | 3 | complete piston STANDARD       |
| 25 | 0.054.0061.6/10 |   | complete piston + mm 0.50      |
| 25 | 0.054.0062.6/10 |   | complete piston + mm 1.0       |
| 26 | 0.073.0052.6    | 3 | piston ring set                |
| 26 | 0.073.0053.6    |   | piston ring set + mm 0.5       |



**CRANKSHAFT**

| Fig. | P/n          | QTY | Name                      |
|------|--------------|-----|---------------------------|
| 26   | 0.073.0054.6 |     | piston ring set + mm 1.0  |
| 27   | 0.002.4167.0 | 3   | piston pin                |
| 28   | 2.1411.014.1 | 6   | circlip 35                |
| 29   | 2.2061.005.0 | 1   | ball bearing iso 17 bc 03 |
| 30   | 2.1599.404.0 | 1   | shoulder ring             |
| 31   | 2.1579.616.0 | 1   | spacer                    |



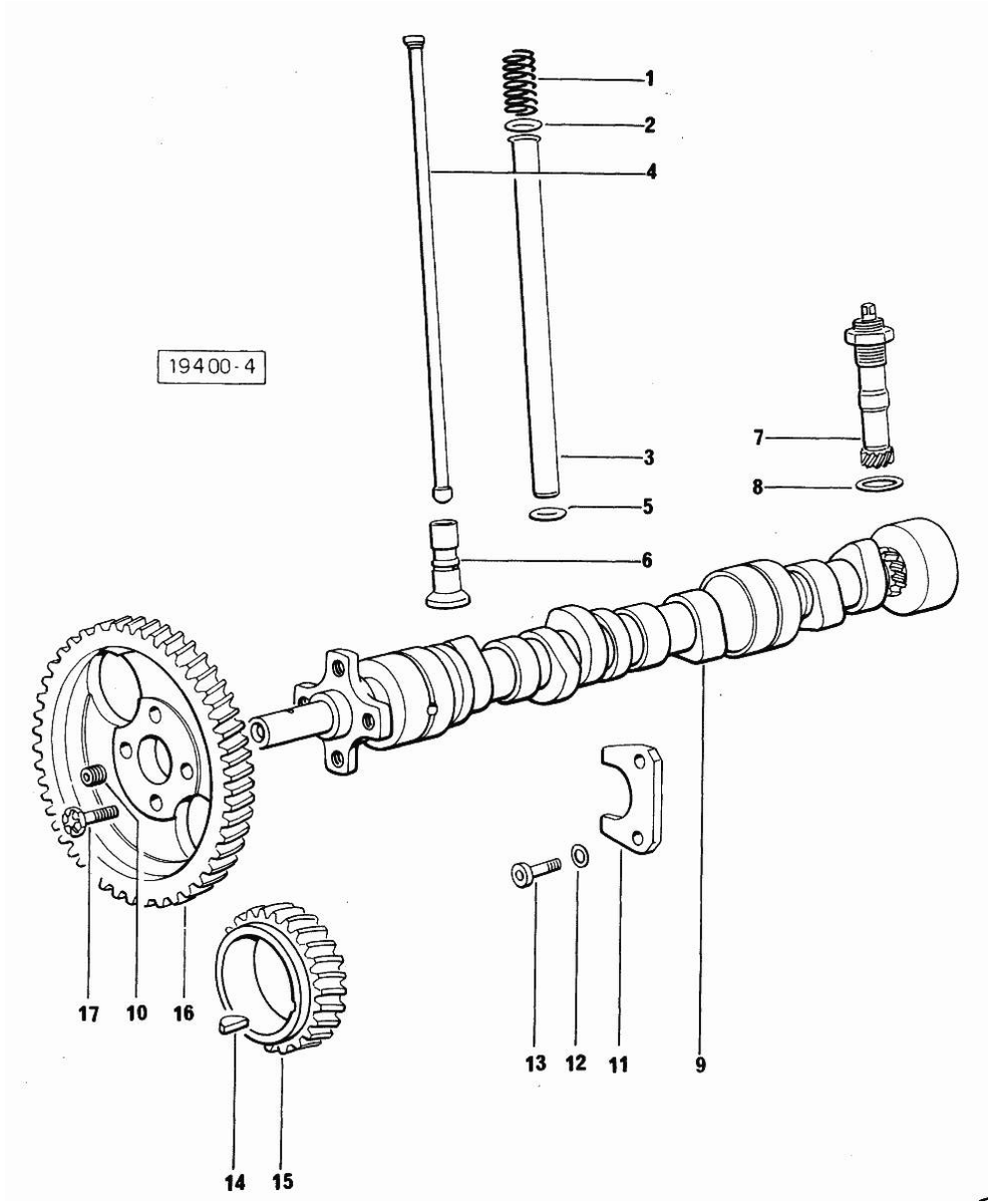
Section: ENGINE

**CAMSHAFT**

| Fig. | P/n | QTY | Name |
|------|-----|-----|------|
|------|-----|-----|------|

Notes:  
[SOLAR 60 C]

|    |                 |   |                             |
|----|-----------------|---|-----------------------------|
| 1  | 2.4019.162.1/20 | 6 | spring 17.2x46x1.8          |
| 2  | 2.1539.022.0    | 6 | special oil seal 12.37x2.62 |
| 3  | 0.041.1332.0    | 6 | sleeve                      |
| 4  | 0.041.1331.3    | 6 | rod                         |
| 5  | 2.1539.020.0    | 6 | special oil seal 13.95x2.62 |
| 6  | 0.052.1330.0/20 | 6 | tappets                     |
| 7  | 0.041.1355.3    | 1 | transmission                |
| 8  | 2.1560.013.0    | 1 | gasket 18.2x22              |
| 9  | 0.054.1310.0/20 | 1 | camshaft                    |
| 10 | 2.3130.001.1    | 1 | plug 1/8" gas               |
| 11 | 0.027.1314.0    | 1 | flange                      |
| 12 | 2.1470.004.2    | 2 | lock washer 8               |
| 13 | 2.0112.207.2    | 2 | screw m 8 p 1.25 x 20       |
| 14 | 2.1720.010.0    | 1 | key 5x9                     |
| 15 | 0.040.1320.0    | 1 | gear z = 33                 |
| 16 | 0.062.1321.0    | 1 | gear z=66                   |
| 17 | 2.0139.005.1    | 4 | screw m 10 p.1 x 25         |



SOLAR 60 C

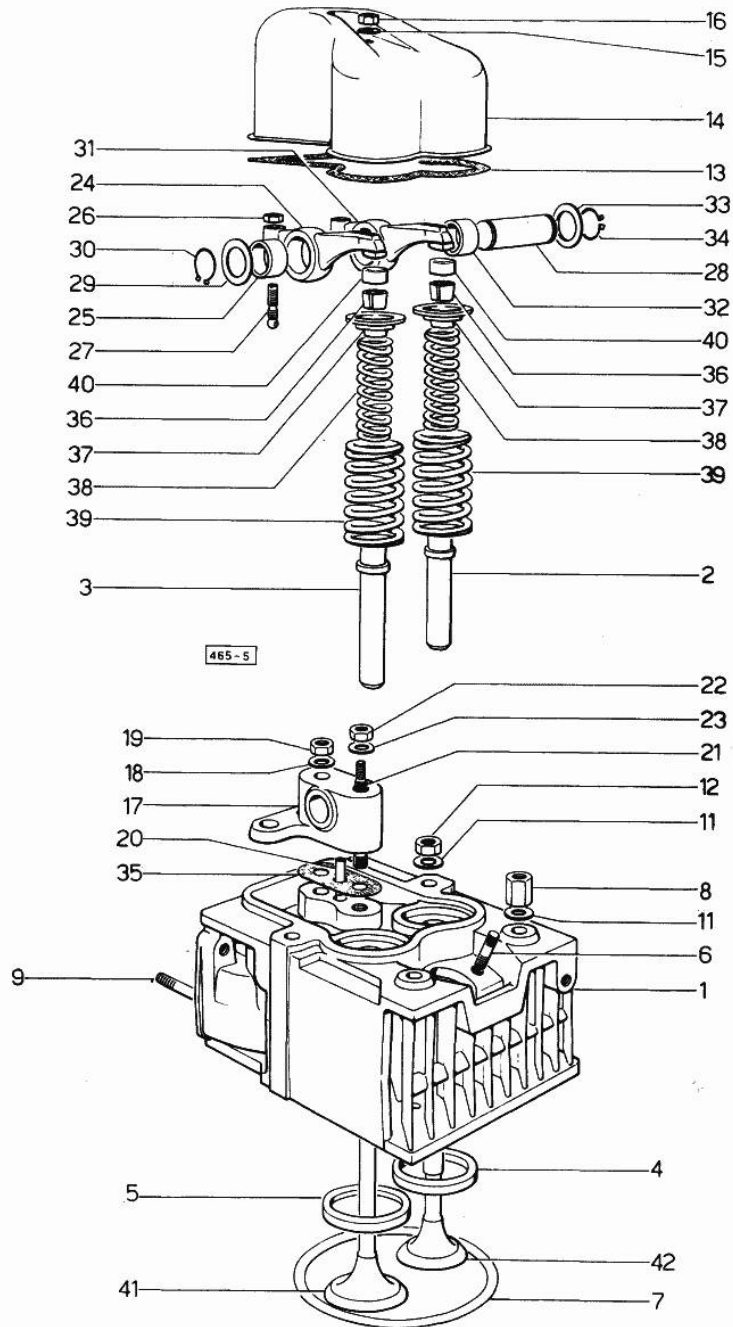
Ref: 01.00.4

Section: ENGINE  
CYLINDER HEAD

| Fig.                          | P/n             | QTY | Name   |
|-------------------------------|-----------------|-----|--|
| <b>Notes:</b><br>[SOLAR 60 C] |                 |     |  |
| 0                             | 0.073.0057.6    | 1   | gasket set<br>FOR GRINDING VALVES OF ONE CYLINDER AND<br>PISTON RING RENEWAL |
| 1                             | 0.062.1410.3/10 | 3   | engine head  |
| 2                             | 0.062.1417.0/10 | 3   | valve guide  |
| 3                             | 0.062.1416.0/10 | 3   | valve guide  |
| 4                             | 0.062.1450.0/10 | 3   | valve seat   |
| 5                             | 0.062.1451.0/10 | 3   | valve seat   |
| 6                             | 2.0439.087.1/20 | 6   | stud bolt m 8 p.1.25 / p.1 x 40  |
| 7                             | 2.1569.078.0/10 | 3   | gasket 106x118x0.5   |
| 8                             | 2.1019.037.0    | 5   | special nut m 12 p.1.5   |
| 9                             | 2.0432.005.7    | 6   | stud bolt m 8 p.1.5 / p.1 x 25   |
| 9                             | 2.0432.007.7    | 1   | stud bolt m 8 p.1.25 / p.1 x 30  |
| 9                             | 2.0432.009.7    | 1   | stud bolt m 8 p.1.25 / p.1 x 35  |
| 11                            | 2.1599.406.0    | 12  | shoulder ring  |
| 12                            | 2.1019.025.0    | 7   | special nut m 12 p.1.5   |
| 13                            | 0.029.1450.0    | 3   | gasket   |
| 14                            | 0.039.1440.0    | 3   | cap  |
| 15                            | 2.1560.004.0    | 3   | copper gasket 8.2 x 14   |
| 16                            | 2.1099.056.2    | 3   | special nut m 8 p.1 x 8  |
| 17                            | 0.041.1430.0    | 3   | support  |
| 18                            | 2.1599.160.0    | 3   | washer 10.5x19x4   |
| 19                            | 2.1099.035.0    | 3   | special nut m 10 p.1.25  |
| 20                            | 0.029.1452.0    | 3   | tube   |
| 21                            | 0.039.1451.0    | 3   | stud bolt  |
| 22                            | 2.1011.421.2    | 3   | nut m 10 p.1.25  |
| 23                            | 2.1310.006.2    | 3   | flat washer 10.5x21  |
| 24                            | 002.5937.3/30   | 3   | rocker arm   |
| 25                            | 2.1559.021.0/40 | 3   | bushing 15x19x22   |
| 26                            | 2.1011.405.2    | 6   | nut m 8 p.1  |
| 27                            | 0.021.1434.0    | 6   | screw  |
| 28                            | 0.041.1431.0    | 3   | pin  |
| 29                            | 2.1599.019.0    | 3   | shoulder ring 19.5x31x2  |
| 30                            | 2.1410.055.1    | 3   | circlip 19   |
| 31                            | 0.002.5936.3/40 | 3   | rocker arm   |
| 32                            | 2.1559.021.0/40 | 3   | bushing 15x19x22   |
| 33                            | 2.1599.019.0    | 3   | shoulder ring 19.5x31x2  |
| 34                            | 2.1410.055.1    | 3   | circlip 19   |
| 35                            | 0.034.1450.0    | 3   | tappet gasket  |
| 36                            | 0.062.1423.0/10 | 6   | conical valve cotter<br>cup  |
| 37                            | 0.062.1425.0    | 6   | cup  |

1/2

Section: ENGINE  
CYLINDER HEAD



| Fig. | P/n          | QTY | Name                  |
|------|--------------|-----|-----------------------|
| 38   | 2.4019.194.0 | 6   | spring 22.70x50.7x2.1 |
| 39   | 2.4019.193.0 | 6   | spring 36.15x55.2x3.2 |
| 40   | 0.062.1452.0 | 6   | small cover           |
| 41   | 0.042.1420.2 | 3   | inlet valve Ø mm 8    |
| 42   | 0.071.1420.2 | 3   | exhaust valve Ø mm 8  |



**Suggest:**

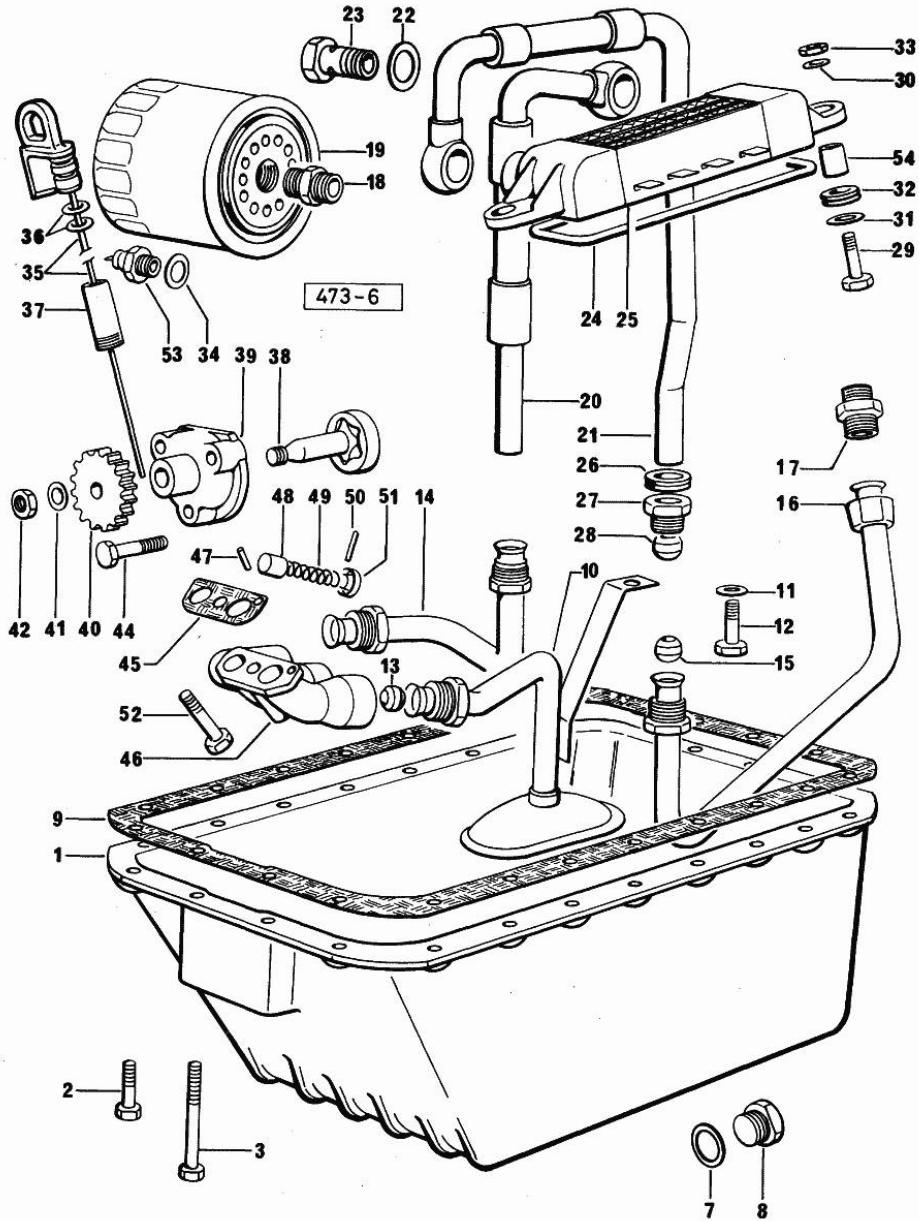
**For more complete manuals. Please go to the home page.**

**<https://www.ebooklibonline.com>**

**If the above button click is invalid. Please download this document first, and then click the above link to download the complete manual.**

**Thank you so much for reading**

Section: ENGINE  
LUBRICATION

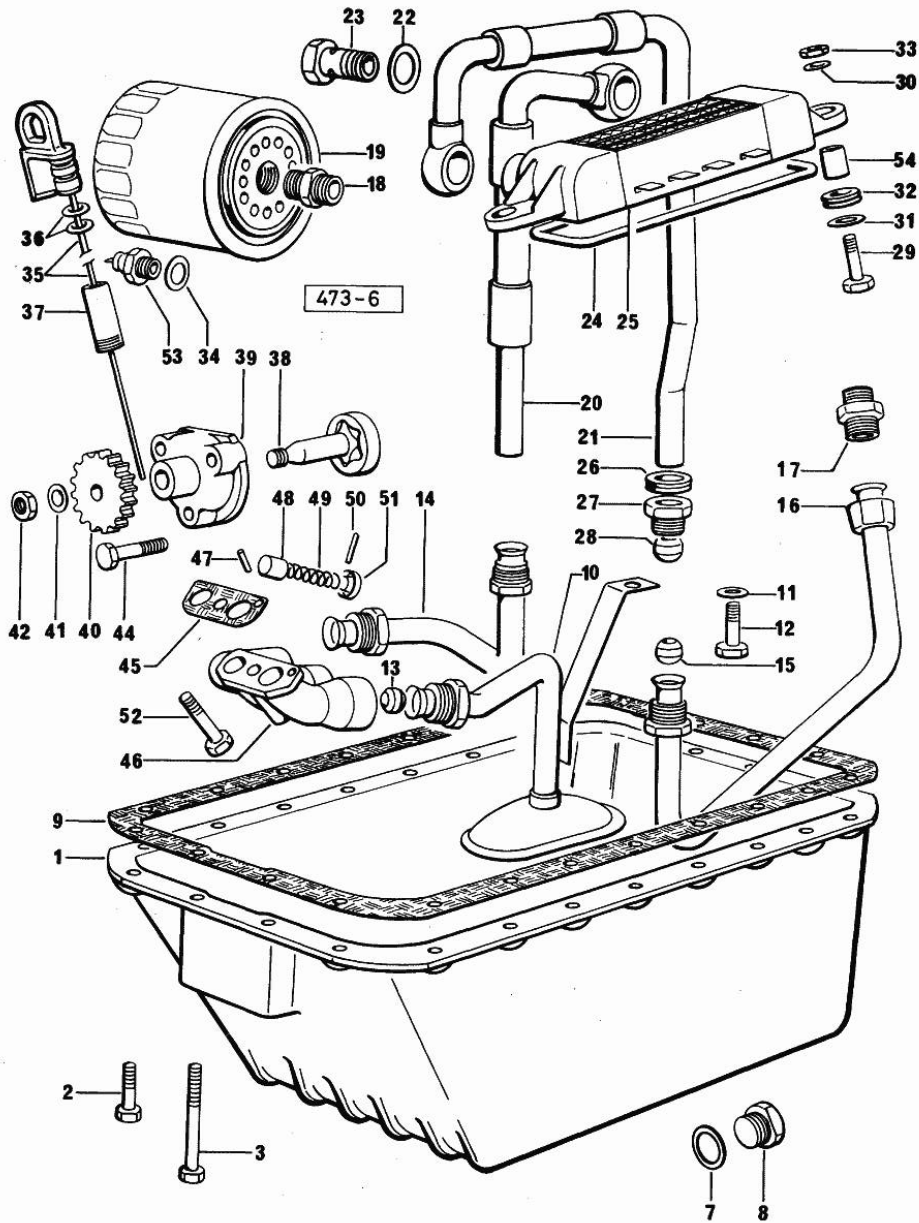


| Fig. | P/n | QTY | Name |
|------|-----|-----|------|
|------|-----|-----|------|

Notes:  
[SOLAR 60 C]

|    |                 |    |                                 |
|----|-----------------|----|---------------------------------|
| 1  | 0.038.1556.0    | 1  | oil sump                        |
| 2  | 2.0112.209.2    | 22 | screw m 8 p 1.25 x 25           |
| 3  | 2.0112.222.2    | 2  | screw m 8 p.1.25x65             |
| 7  | 2.1560.054.0    | 1  | gasket 21 x 26                  |
| 8  | 2.3199.001.2    | 1  | plug 1/2" gas                   |
| 9  | 0.038.1555.0    | 1  | gasket                          |
| 10 | 0.054.1563.0    | 1  | -                               |
| 11 | 2.1310.004.2    | 1  | flat washer 8.4x17              |
| 12 | 2.0112.204.2    | 1  | screw m 8 p.1.25x14             |
| 13 | 2.3359.016.1    | 2  | nosepiece                       |
| 14 | 0.054.1542.2/10 | 1  | tube                            |
| 15 | 2.3359.015.1    | 2  | nosepiece                       |
| 16 | 0.044.1543.2/30 | 1  | tube                            |
| 17 | 2.3339.159.1/10 | 1  | pipe fitting                    |
| 18 | 2.3339.094.1/10 | 1  | pipe fitting m 20 p.1.5-3/4 gas |
| 19 | 0.044.1567.0    | 1  | oil filter element              |
| 20 | 0.054.1551.2/10 | 1  | tube                            |
| 21 | 0.054.1552.2/20 | 1  | tube                            |
| 22 | 2.1560.018.0    | 4  | gasket 22.2 x 29                |
| 23 | 2.3339.107.1    | 2  | pipe union m 22                 |
| 24 | 0.054.1541.0    | 1  | gasket                          |
| 25 | 0.054.1540.2/10 | 1  | oil cooler                      |
| 26 | 2.6560.013.0    | 1  | wire guide 18x1.5               |
| 26 | 2.6560.022.0    | 1  | wire guide 28x1.5               |
| 27 | 2.3339.167.2    | 2  | pipe fitting                    |
| 28 | 2.3359.012.0    | 2  | nosepiece 10x16.8               |
| 29 | 2.0112.211.2    | 2  | screw m 8 p.1.25 x 30           |
| 30 | 2.1310.004.2    | 2  | flat washer 8.4x17              |
| 31 | 2.1599.006.0    | 4  | shoulder ring 8.4x25x2          |
| 32 | 0.021.1560.0    | 4  | rubber plug                     |
| 33 | 2.1011.105.2    | 2  | nut m 8 p.1.25                  |
| 34 | 2.1560.008.0    | 1  | gasket 12.2 x 18                |
| 35 | 0.068.1513.2    | 1  | dipstick                        |
| 36 | 2.1539.065.0    | 2  | special oil seal 8.73 x 1.78    |
| 37 | 0.044.1555.0    | 1  | spacer                          |
| 38 | 0.054.1524.3/10 | 1  | rotor                           |
| 39 | 0.054.1520.0    | 1  | pump casing                     |
| 40 | 0.054.1521.0    | 1  | gear                            |
| 41 | 2.1310.006.2    | 1  | flat washer 10.5x21             |
| 42 | 2.1121.107.2    | 1  | self-locking nut m 10 p 1.25    |
| 44 | 2.0112.215.2    | 3  | screw m 8 p.1.25 x 40           |

Section: ENGINE  
LUBRICATION



| Fig. | P/n             | QTY | Name                    |
|------|-----------------|-----|-------------------------|
| 45   | 0.054.1550.0    | 1   | gasket                  |
| 46   | 0.054.1530.0/20 | 1   | tip                     |
| 47   | 2.1651.305.2    | 1   | cylindrical plug 4 x 12 |
| 48   | 0.052.1571.0    | 1   | small piston            |
| 49   | 2.4019.270.1    | 1   | spring 9.7x54x2         |
| 50   | 2.1630.213.0    | 1   | roll pin 3x32           |
| 51   | 0.054.1558.0/10 | 1   | stop                    |
| 52   | 2.0132.213.2    | 1   | screw                   |
| 53   | 2.7099.040.0/10 | 1   | pressure switch         |
| 54   | 0.427.6352.0    | 2   | bushing 10x12x13        |

**<https://www.ebooklibonline.com>**

Hello dear friend!

Thank you very much for reading.

Enter the link into your browser.

The full manual is available for immediate download.

**<https://www.ebooklibonline.com>**