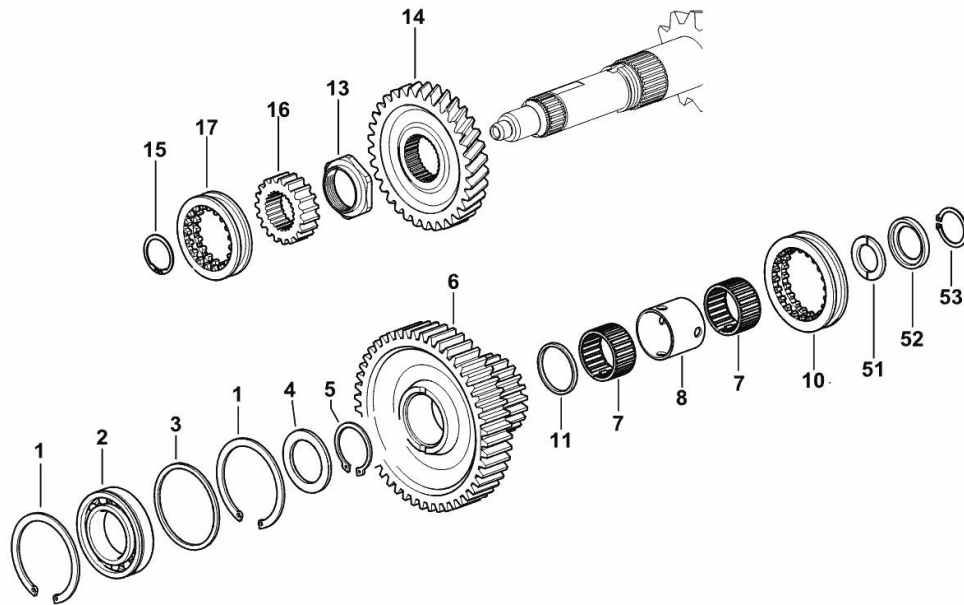


SPEED RANGE REDUCTION GEAR UNIT



9_H1334_00_0-A-001

Fig.	P/n	QTY	Name
------	-----	-----	------

Notes:

[SILVER³ 110 -> 15001]

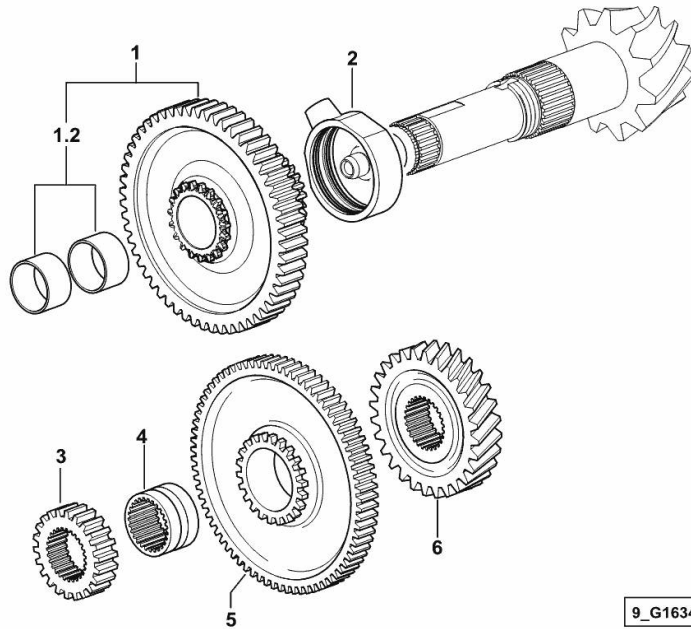
1	2.1411.036.1	2	circlip 90
2	2.2999.203.0	1	special bearing 50 x 90 x 20
3	2.1599.538.0	1	shoulder ring 80x89.5x3
4	2.1589.323.0	1	shoulder ring 45x65x4
5	2.1412.017.7	1	circlip 45
6	0.010.8998.0/20	1	gear z=48 z=22
7	2.2999.366.0	2	roller cage
8	2.1549.399.0/10	1	spacer
10	0.014.3116.0/10	1	sleeve
11	2.1549.413.0	1	spacer 47x52.8x4
13	2.1219.052.7/10	1	ring nut m 45 p.1.5
14	0.010.0843.0/20	1	gear z = 33
15	2.1419.067.0	1	circlip 35 x 1.5
16	0.255.3455.0	1	hub Z = 19
17	0.255.3438.0/20	1	sleeve Z = 19
51	0.008.5607.0/20	1	slewing ring
52	0.008.4481.0	1	ring
53	2.1410.014.1	1	circlip 35

4-RANGE BOX

Fig.	P/n	QTY	Name
------	-----	-----	------

Notes:[SILVER³ 110 -> 15001]

1	0.010.9013.3/10	1	gear z=56 z=26 z=19
1.2	2.1559.176.0	2	special bushing 40x44x25
2	0.007.3550.0	1	manifold
3	0.010.9008.0	1	hub Z = 22
4	0.010.9004.0/20	1	special bushing
5	0.010.9003.0	1	gear z=75 z=22
6	0.010.9006.0/10	1	gear Z = 28



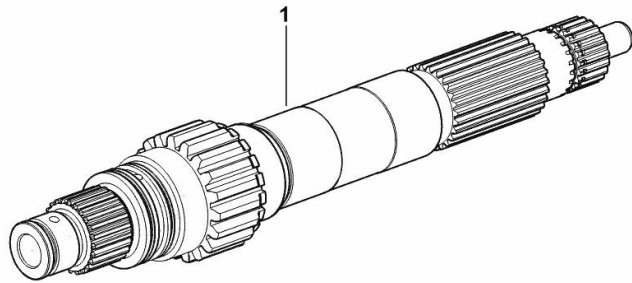
9_G1634_08_0-A-001

SPEED RANGE REDUCTION GEAR SHAFT

Fig.	P/n	QTY	Name
------	-----	-----	------

Notes:[SILVER³ 110 -> 15001]

1	0.013.9324.0/40	1	shaft
---	-----------------	---	-------



9_H1534_01_0-A-001

<https://www.ebooklibonline.com>

Hello dear friend!

Thank you very much for reading.

Enter the link into your browser.

The full manual is available for immediate download.

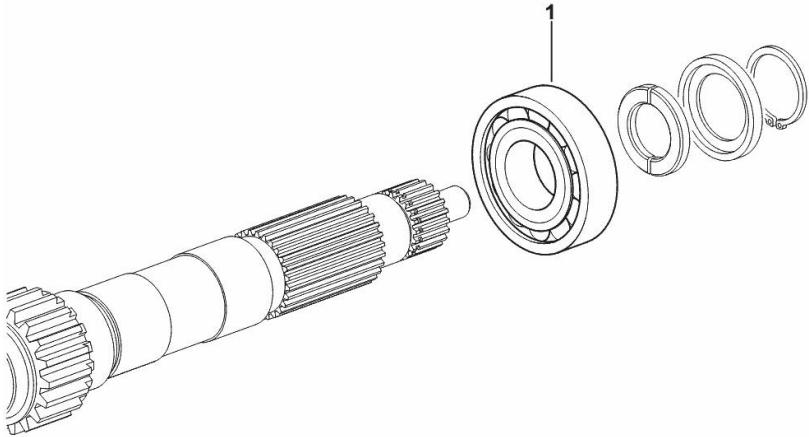
<https://www.ebooklibonline.com>

BEARING FOR RANGE GEARBOX SHAFT

Fig.	P/n	QTY	Name
------	-----	-----	------

Notes:
[SILVER³ 110 -> 15001]

1	2.2999.379.0	1	bearing 35 x 80 x 21
---	--------------	---	----------------------



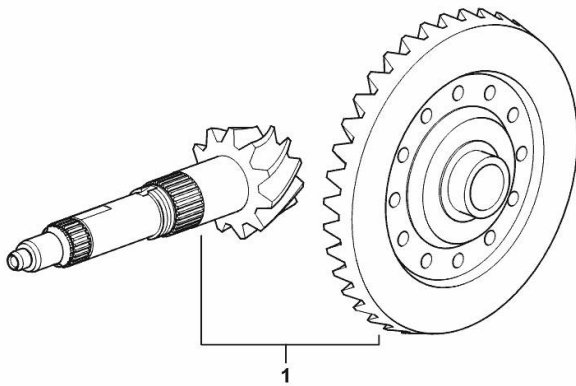
9_62034_03_0-A-001

BEVEL WHEEL GEAR Z = 10 / Z = 39

Fig.	P/n	QTY	Name
------	-----	-----	------

Notes:- 40 Km/h [SILVER³ 110 -> 15001]

1	0.008.5554.3/50	1	bevel drive Z = 10 / Z = 39
---	-----------------	---	-----------------------------



9_62035_02_0-A-001

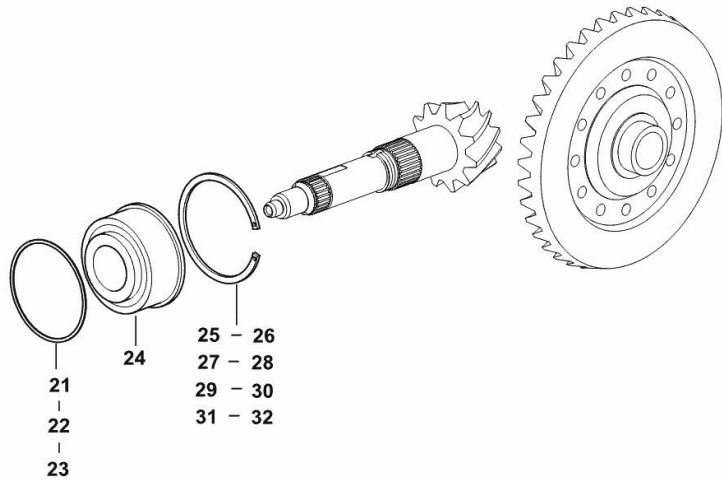
BEVEL DRIVE PINION BEARING

Fig.	P/n	QTY	Name
------	-----	-----	------

Notes:

[SILVER³ 110 -> 15001]

21	2.1589.167.0	1	shoulder ring 105 x 112 x 0.15
22	2.1589.168.0	1	shoulder ring 105 x 112 x 0.1
23	2.1589.169.0	1	shoulder ring 105 x 112 x 0.5
24	2.2999.502.0/10	1	special bearing
25	2.1499.061.1	0.12	circlip 120x3.4
26	2.1499.062.1	0.12	circlip 120x3.5
27	2.1499.063.1	0.12	circlip 120x3.6
28	2.1499.064.1	0.12	circlip 120x3.7
29	2.1499.065.1	0.12	circlip 120x3.8
30	2.1499.066.1	0.12	circlip 120x3.9
31	2.1499.067.1	0.12	circlip 120x4
32	2.1499.068.1	0.12	circlip 120x4.1



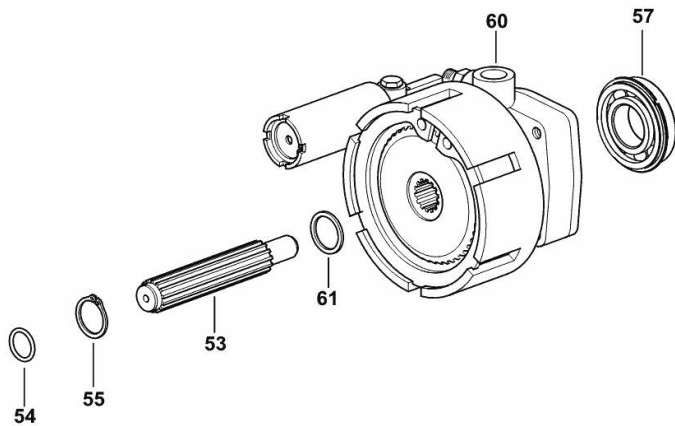
9_J1535_04_0-B-001

P.T.O. - HYDRAULIC CLUTCH

Fig.	P/n	QTY	Name
------	-----	-----	------

Notes:[SILVER³ 110 -> 15001] 15166 <-

53	0.445.3930.0	1	shaft
54	2.1530.048.0	1	oil seal 18.72x2.62
55	2.1410.009.1	1	circlip 24
57	2.2043.009.0	1	ball bearing 30x62x16
60	0.012.7103.4/50	1	hydraulic PTO clutch (-> 15001)
	☞ 0.012.7103.4/50		
61	2.1599.761.0	1	slewing ring 24x30x2



9_54639_02_0-A-001

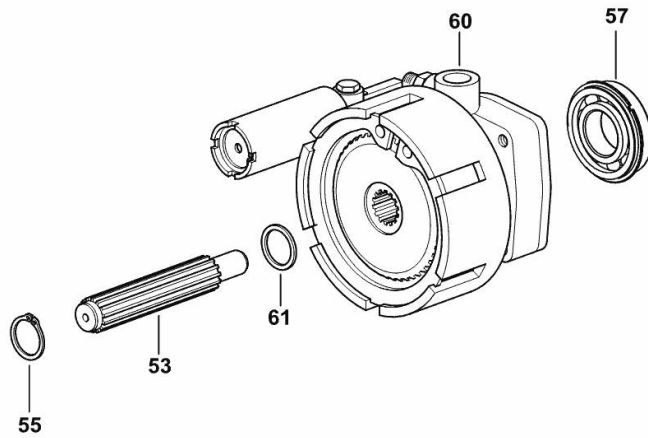
P.T.O. - HYDRAULIC CLUTCH

Fig.	P/n	QTY	Name
------	-----	-----	------

Notes:

[SILVER³ 110 -> 15001]-> 15167

53	0.445.3930.0	1	shaft
55	2.1410.009.1	1	circlip 24
57	2.2043.009.0	1	ball bearing 30x62x16
60	0.012.7103.4/50	1	hydraulic PTO clutch ☞ 0.012.7103.4/50
61	2.1599.761.0	1	slewing ring 24x30x2



9_54639_02_0-A-002

Section: D0 - TRANSMISSION
P.T.O. - CLUTCH-PARTS

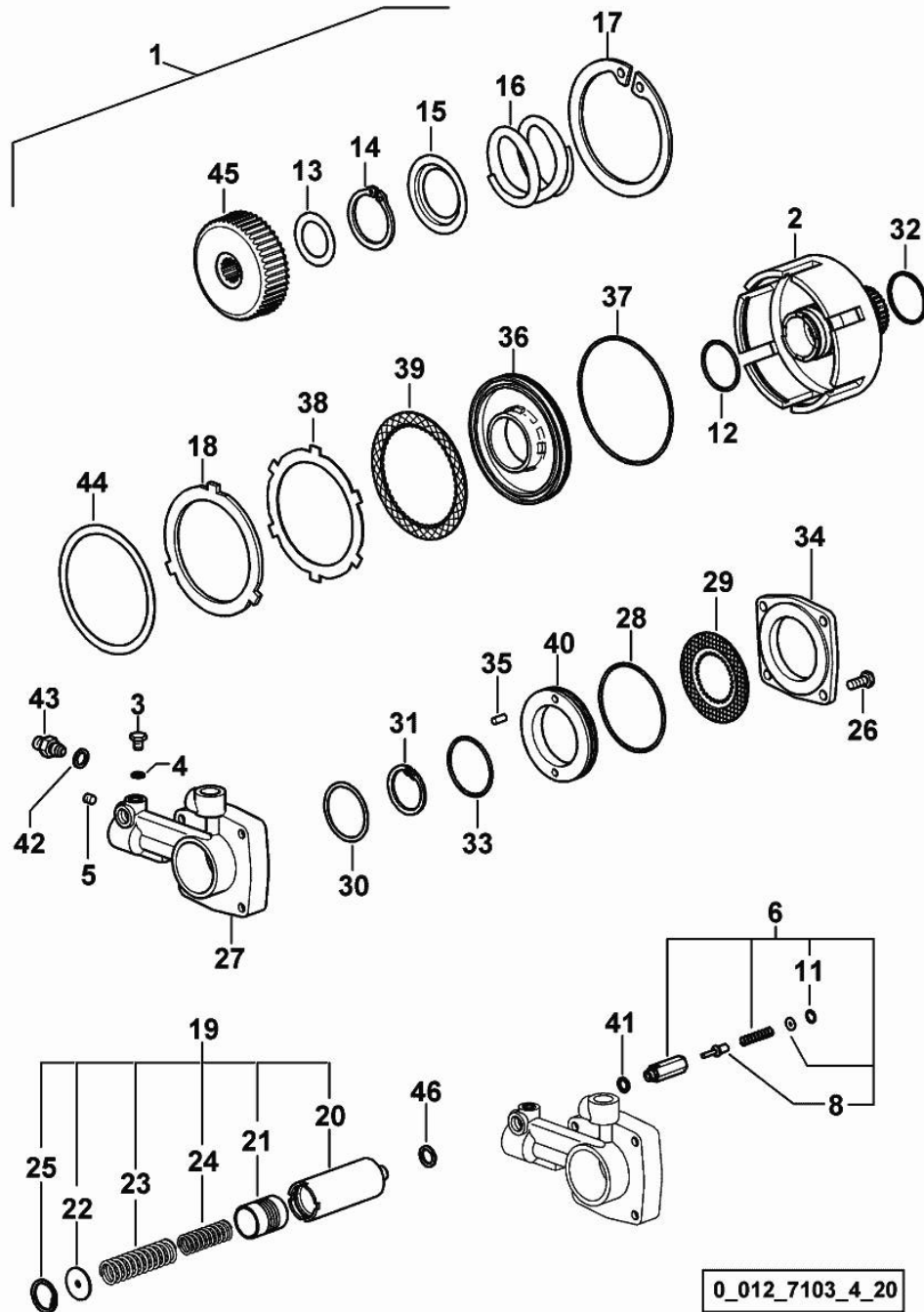


Fig.	P/n	QTY	Name
1	0.012.7103.4/20	1	hydraulic PTO clutch
2	0.008.4043.0/30	1	box
3	2.3110.428.1	1	plug m 8 p.1 x 10
4	2.1560.003.0	1	copper gasket 8.2 x 12
5	2.0512.202.7	1	screw m 8 p.1.25 x 8
6	0.009.2445.4/20	1	valve
8	0.009.2411.0/20	1	slider
11	2.1411.002.1	1	circlip
12	2.1539.067.0	1	special oil seal 44.12x2.72
13	2.1599.415.0	1	shoulder ring 35x52x1
14	2.1419.027.1	1	circlip 48
15	0.255.3933.0	1	disc
16	2.4019.373.1	1	spring 79.5x61.5x6.5
17	2.1419.035.1	1	circlip 127
18	0.255.3969.0/10	1	disc
19	0.010.0526.4/10	1	accumulator P.T.O.
20	0.010.0526.0	1	cylinder
21	0.010.0525.0	1	piston
22	2.1599.241.0	1	shoulder ring
23	2.4019.636.1	1	spring 20.8 x 27.2 x 3.2 x 86.5
24	2.4019.638.1	1	spring 14.2 x 19.4 x 2.6 x 58
25	2.1411.013.7	1	circlip Ø 32
26	2.0342.305.2	4	screw m 8 p.1.25 x 20
27	0.000.0000.1		cannot be supplied
28	2.1532.503.0	1	oil seal 82.14x2.62
29	0.014.0360.2	1	brake disc
30	2.1599.416.0	1	shoulder ring 50x58x1
31	2.1419.027.1	1	circlip 48
32	2.1569.109.0	3	gasket 46x50x2
33	2.1532.133.0	1	oil seal 53.64x2.62
34	0.255.3926.0/10	1	cover
35	2.1651.506.0	2	cylindrical plug 6 x 14
36	0.255.3938.0/40	1	piston
37	2.1539.064.0	1	special oil seal 120.33x2.62
38	0.013.9453.0	5	disc mm 1.75
39	0.255.3970.2	5	disc
40	0.255.3922.0/30	1	piston D 90
41	2.1560.005.0	1	copper gasket 10.2 x 14
42	2.1560.008.0	1	gasket 12.2 x 18
43	2.3339.453.2	1	pipe fitting m 12 p.1.25-1/2"
44	2.1599.499.0	1	shoulder ring 110 x 126.5 x 1.2
45	0.008.8806.0/20	1	hub
46	2.1560.010.0	1	gasket 14.2 x 20



Suggest:

For more complete manuals. Please go to the home page.

<https://www.ebooklibonline.com>

If the above button click is invalid. Please download this document first, and then click the above link to download the complete manual.

Thank you so much for reading

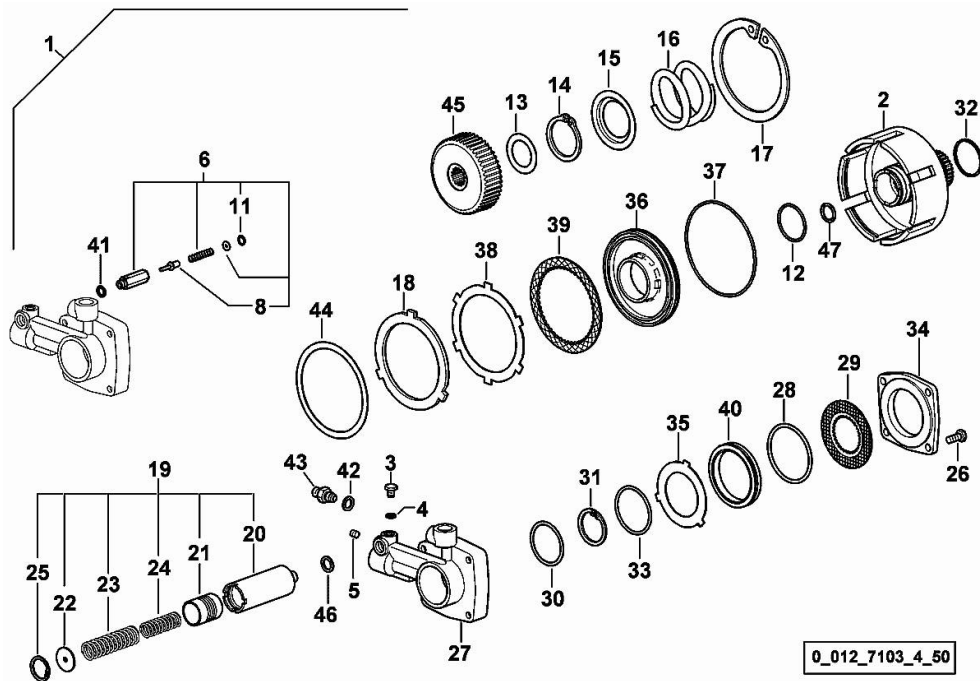
P.T.O. - CLUTCH-PARTS

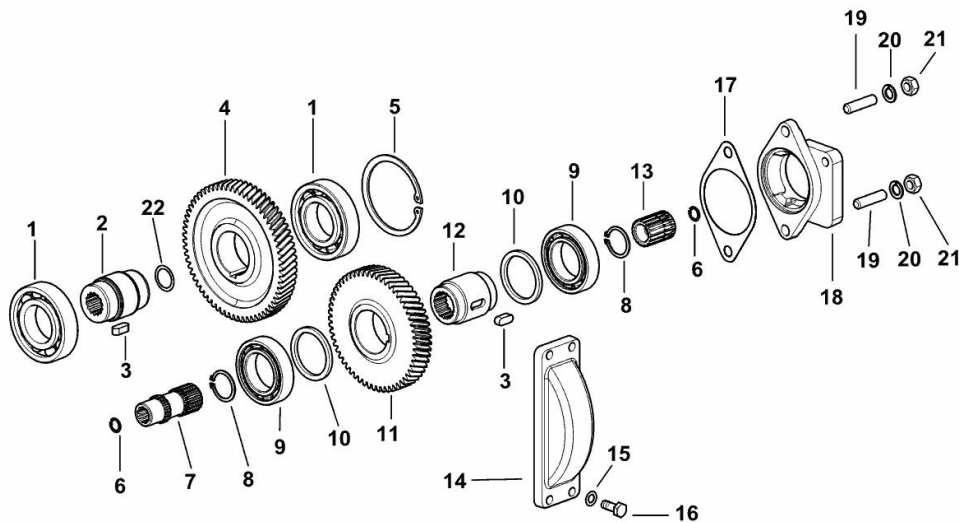
Fig.	P/n	QTY	Name
1	0.012.7103.4/50	1	hydraulic PTO clutch
2	0.008.4043.0/40	1	box
3	2.3110.428.1	1	plug m 8 p.1 x 10
4	2.1560.003.0	1	copper gasket 8.2 x 12
5	2.0512.202.7	1	screw m 8 p.1.25 x 8
6	0.009.2445.4/20	1	valve
8	0.009.2411.0/20	1	slider
11	2.1411.002.1	1	circlip
12	2.1539.067.0	1	special oil seal 44.12x2.72
13	2.1599.415.0	1	shoulder ring 35x52x1
14	2.1419.027.1	1	circlip 48
15	0.255.3933.0	1	disc
16	2.4019.373.1	1	spring 79.5x61.5x6.5
17	2.1419.035.1	1	circlip 127
18	0.255.3969.0/10	1	disc
19	0.010.0526.4/10	1	accumulator P.T.O.
20	0.010.0526.0	1	cylinder
21	0.010.0525.0	1	piston
22	2.1599.241.0	1	shoulder ring
23	2.4019.636.1	1	spring 20.8 x 27.2 x 3.2 x 86.5
24	2.4019.638.1	1	spring 14.2 x 19.4 x 2.6 x 58
25	2.1411.013.7	1	circlip Ø 32
26	2.0342.305.2	4	screw m 8 p.1.25 x 20
27	0.008.3063.0/40	1	spool valve
28	2.1532.505.0	1	oil seal 77.50 x 2.62
29	0.014.0360.2	1	brake disc
30	2.1599.416.0	1	shoulder ring 50x58x1
31	2.1419.027.1	1	circlip 48
32	2.1569.109.0/10	3	gasket 46 x 50 x 2.0
33	2.1532.150.0	1	oil seal 61.60x2.62
34	0.255.3926.0/10	1	cover
35	0.013.8983.0	1	disc mm 1.5
36	0.255.3938.0/40	1	piston
37	2.1539.064.0	1	special oil seal 120.33x2.62
38	0.013.9453.0	5	disc mm 1.75
39	0.255.3970.2/10	5	disc
40	0.255.3922.0/40	1	piston D 84
41	2.1560.005.0	1	copper gasket 10.2 x 14
42	2.1560.008.0	1	gasket 12.2 x 18
43	2.3339.453.2	1	pipe fitting m 12 p.1.25-1/2"
44	2.1599.499.0	1	shoulder ring 110 x 126.5 x 1.2
45	0.008.8806.0/20	1	hub
46	2.1560.010.0	1	gasket 14.2 x 20
47	2.1530.062.0	1	oil seal 23.81 x 2.62

PUMP DRIVE

Fig.	P/n	QTY	Name
------	-----	-----	------

Notes:

VERSION WITH 2 HYDRAULIC PUMPS [SILVER³ 110 -> 15001] 15282 <-



1	2.2040.012.0	2	ball bearing iso 40 bc 02 (15282 <-)
1	2.2041.015.0	2	ball bearing
2	0.015.9048.0/20	1	sleeve
3	2.1799.036.0	2	stick 8x7x20
4	0.017.5893.0/10	1	gear
5	2.1411.032.1	1	circlip 80
6	2.1411.003.1	2	circlip 14
7	0.015.1096.0/40	1	sleeve
8	2.1410.011.1	2	circlip 28
9	2.2030.009.0	2	ball bearing iso 40 bc 10
10	2.1599.884.0	2	shim 45x55x4
11	0.017.5896.0/10	1	gear
12	0.013.7789.0/10	1	sleeve Z = 17
13	0.008.4464.0/30	1	sleeve Z = 9 / Z = 17
14	0.255.3134.0/10	1	small cover
15	2.1481.007.1	4	washer 8
16	2.0112.207.2	4	screw m 8 p 1.25 x 20
17	0.255.3953.0/10	1	gasket
18	0.255.3942.0/30	1	flange
19	2.0422.305.7	2	stud bolt m 10 p. 1.5 x 25
20	2.1474.010.2	2	washer 10
21	2.1011.106.2	2	nut m 10 p.1.5
22	2.1530.048.0	1	oil seal 18.72x2.62

9_R8539_00_0-A-001

<https://www.ebooklibonline.com>

Hello dear friend!

Thank you very much for reading.

Enter the link into your browser.

The full manual is available for immediate download.

<https://www.ebooklibonline.com>