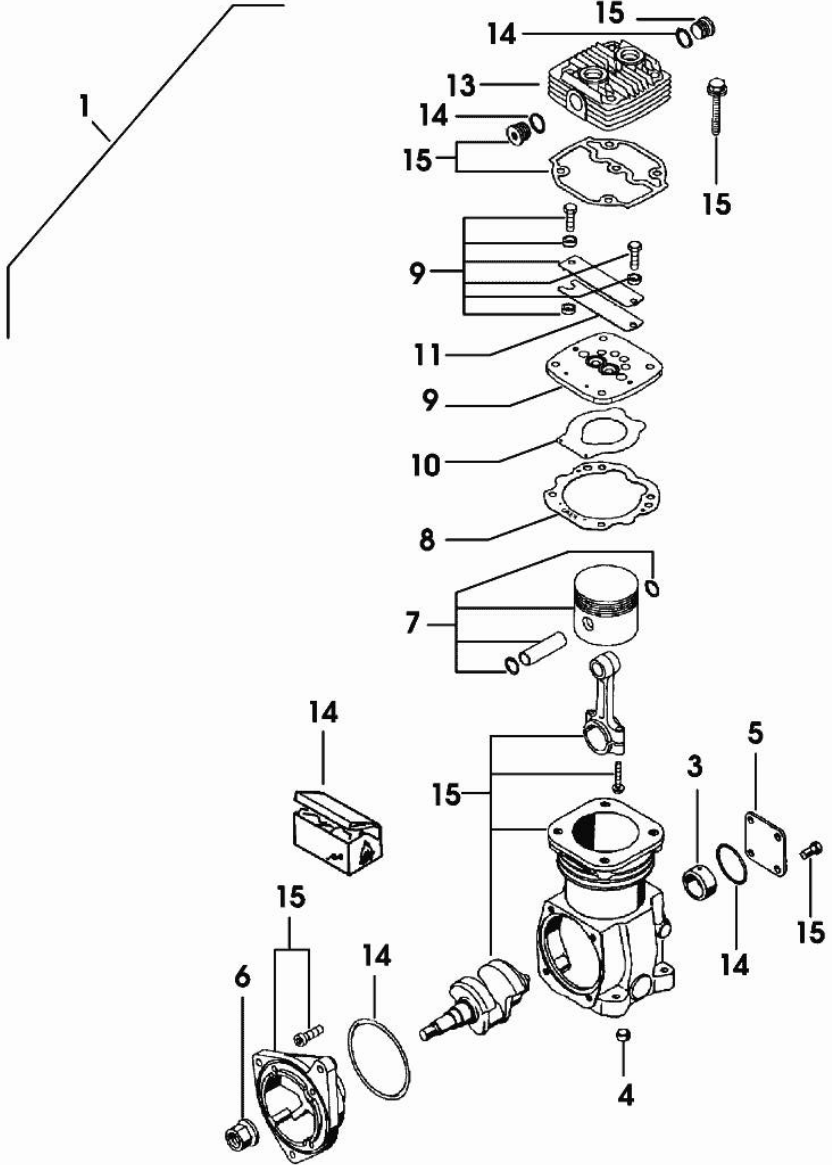


COMPRESSOR-PARTS

Fig.	P/n	QTY	Name
1	04428408.4	1	air compressor 229 cm ³
3	04436267	1	bushing
4	01151194	2	cover
5	04436268	1	cover
6	04436276	1	nut
7	04436269	1	piston
8	04436270	1	gasket
9	04436271	1	valve
10	04436272	1	thin plate
11	04436273	1	thin plate
13	04436275	1	cover
14	04436277	1	sub-assy parts
15	0.000.0000.1		cannot be supplied



0442_6744_4

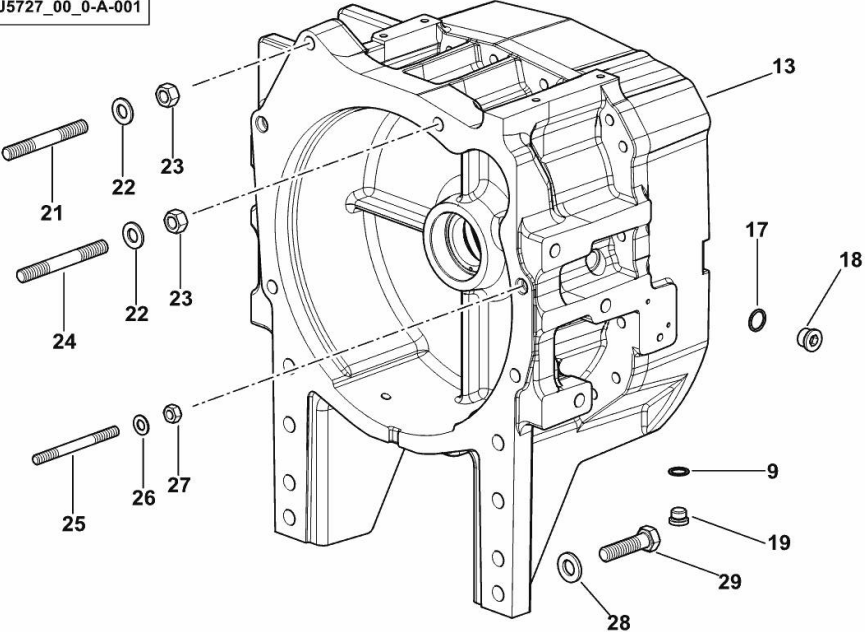
JUNCTION CASE

Fig.	P/n	QTY	Name
------	-----	-----	------

Notes:
 [IRON³ 210 DCR -> 10010] 10012 <-

9	2.1560.014.0	2	washer 18.2 x 24
13	0.013.1429.0/30	1	flange
17	2.1560.017.0	1	gasket 22.2 x 27
18	2.3120.002.4	1	plug m 22 x 1.5
19	2.3120.001.4	1	plug m 18 p.1.5
21	2.0433.426.7	1	stud bolt m 16 p.1.5x110
22	2.1475.006.2	4	spring washer 16
23	2.1012.409.7	4	nut m 16
24	2.0433.427.7	3	stud bolt m 16 p.1.5x120
25	2.0433.277.7	2	stud bolt m 12 p.1,25x120
26	2.1475.004.2	2	spring washer 12
27	2.1012.422.7	2	nut m 12
28	2.1475.007.7	8	washer 18
29	2.0113.723.2	8	screw m 18 p.2.5X70

K9_J5727_00_0-A-001



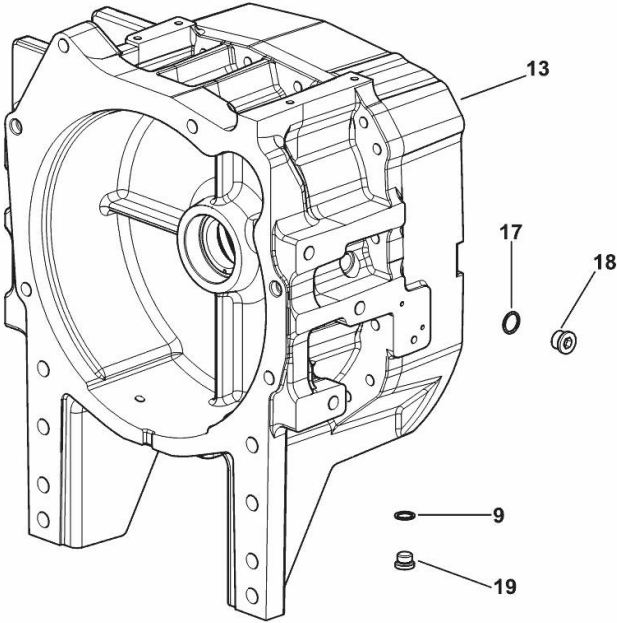
JUNCTION CASE

Fig.	P/n	QTY	Name
------	-----	-----	------

Notes:
 [IRON³ 210 DCR -> 10010] -> 10015

9	2.1560.014.0	2	washer 18.2 x 24
13	0.013.1429.0/40	1	flange
17	2.1560.017.0	1	gasket 22.2 x 27
18	2.3120.002.4	1	plug m 22 x 1.5
19	2.3120.001.4	1	plug m 18 p.1.5

K9_J5727_00_0-A-002



<https://www.ebooklibonline.com>

Hello dear friend!

Thank you very much for reading.

Enter the link into your browser.

The full manual is available for immediate download.

<https://www.ebooklibonline.com>

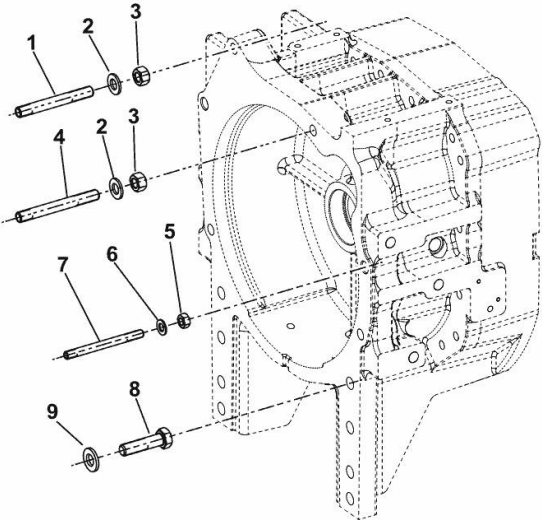
FIXING PARTS - MOTOR - GEARS

Fig.	P/n	QTY	Name
------	-----	-----	------

Notes:
 [IRON³ 210 DCR -> 10010] -> 10013

1	2.0433.426.7	1	stud bolt m 16 p.1.5x110
2	2.1475.006.2	4	spring washer 16
3	2.1012.409.7	4	nut m 16
4	2.0433.427.7	3	stud bolt m 16 p.1.5x120
5	2.1012.422.7	2	nut m 12
6	2.1475.004.2	2	spring washer 12
7	2.0433.277.7	2	stud bolt m 12 p.1,25x120
8	2.0113.723.2	8	screw m 18 p.2.5X70
9	2.1475.007.7	8	washer 18

K9_J5727_03_0-A-001



Section: D0 - TRANSMISSION
HYDRAULIC SHUTTLE

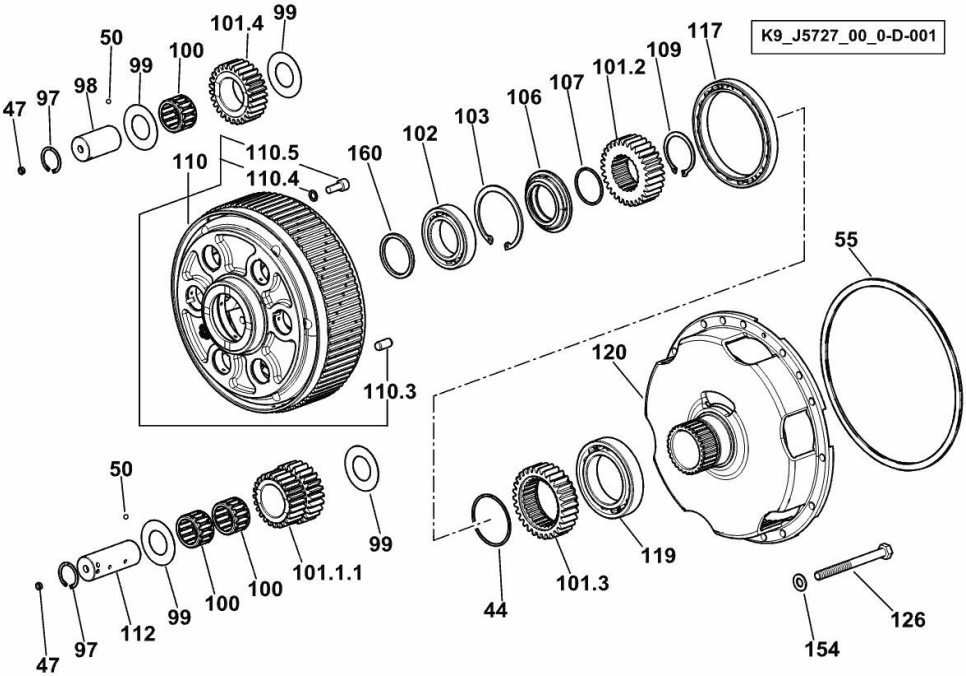


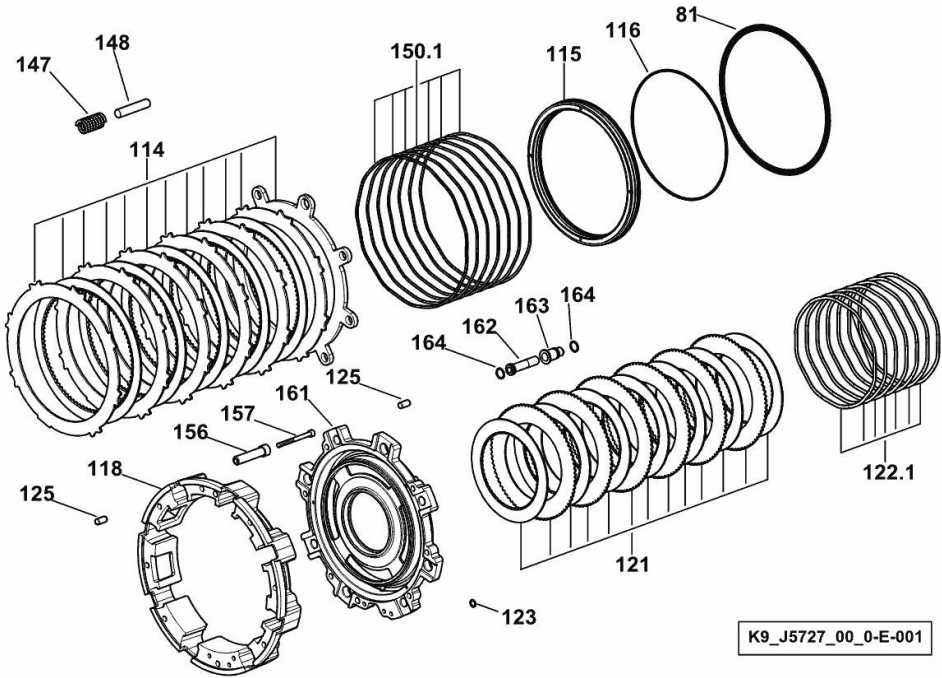
Fig.	P/n	QTY	Name
Notes:			
[IRON ³ 210 DCR -> 10010]			
44	2.1422.037.7	3	circlip 60x1.5
47	2.3171.002.4	9	plug 8
50	2.2819.003.0	9	ball 4.5
55	2.1499.248.0/10	1	ring
97	2.1411.012.1	6	circlip 30
98	0.012.9776.0/10	3	pin
99	2.1589.514.0	12	slewing ring
100	2.2999.452.0	9	roller cage
101.1.1	0.012.9156.0/10	3	planet gear
101.2	0.012.9154.0	1	hub
101.3	0.012.9157.0	1	hub
101.4	0.012.9777.0/10	3	planet gear
102	2.2021.013.0	1	ball bearing 45x75x16
103	2.1411.030.7	1	circlip 75x2.5
106	0.014.1043.0/20	1	spacer
107	2.1532.102.0	1	oil seal 39.42x2.62
109	2.1410.018.7	1	circlip 45
110	0.015.7164.3/20	1	spider
110.3	2.1651.809.0	1	cylindrical plug 10x20
110.4	2.1480.014.1	6	washer 8
110.5	2.0314.206.2	6	screw
112	0.012.9538.0/10	3	pin
117	2.2999.454.0	1	bearing 105x130x13
119	2.2021.016.0	1	ball bearing 60x95x18
120	0.014.0886.0/10	1	flange
126	2.0112.331.2	8	screw m 10 p.1.5x110
154	2.1475.003.7	8	washer 10.5
160	2.1599.907.0	1	shoulder ring

Section: D0 - TRANSMISSION
HYDRAULIC SHUTTLE

Fig.	P/n	QTY	Name
------	-----	-----	------

Notes:
[IRON³ 210 DCR -> 10010] 10012 <-

81	2.1532.031.0	2	oil seal 291.64x3.53
114	0.014.0867.3/10	1	transmission brake
115	0.012.9919.0/10	1	piston
116	2.1539.117.0	1	oil seal 266.29x3.53
118	0.015.7258.0/10	1	flange
121	0.012.9772.3/10	1	clutch assy
122.1	2.4099.149.7	7	spring
123	2.1539.071.0	13	special oil seal 11.11x1.78
125	2.1651.911.0	2	cylindrical plug
147	2.4019.789.1	8	spring
148	2.1699.179.0	4	pin
150.1	2.4099.169.1	7	spring
156	2.1549.634.0	2	bush
157	2.0312.224.2	2	screw m 8 p.1.25 x 90
161	0.015.7257.0	1	cover
162	0.015.7225.0	2	tube
163	0.015.7223.0/10	2	bushing
164	2.1532.049.0	4	oil seal 18.77x1.78



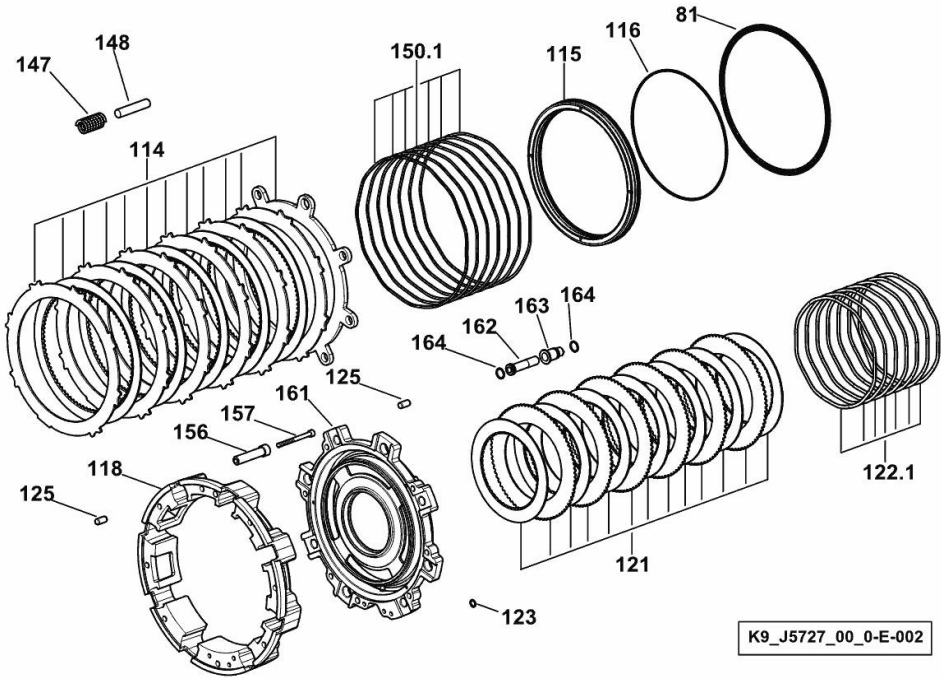
K9_J5727_00_0-E-001

Section: D0 - TRANSMISSION
HYDRAULIC SHUTTLE

Fig.	P/n	QTY	Name
------	-----	-----	------

Notes:
[IRON³ 210 DCR -> 10010] -> 10015

81	2.1532.031.0	3	oil seal 291.64x3.53
114	0.014.0867.3/10	1	transmission brake
115	0.012.9919.0/10	1	piston
116	2.1539.117.0	1	oil seal 266.29x3.53
118	0.015.7258.0/10	1	flange
121	0.012.9772.3/20	1	clutch assy
122.1	2.4099.149.7	7	spring
123	2.1539.071.0	13	special oil seal 11.11x1.78
125	2.1651.911.0	2	cylindrical plug
147	2.4019.789.1	8	spring
148	2.1699.179.0	4	pin
150.1	2.4099.169.1	7	spring
156	2.1549.634.0	2	bush
157	2.0312.224.2	2	screw m 8 p.1.25 x 90
161	0.015.7257.0/10	1	cover
162	0.015.7225.0	2	tube
163	0.015.7223.0/10	2	bushing
164	2.1532.049.0	4	oil seal 18.77x1.78



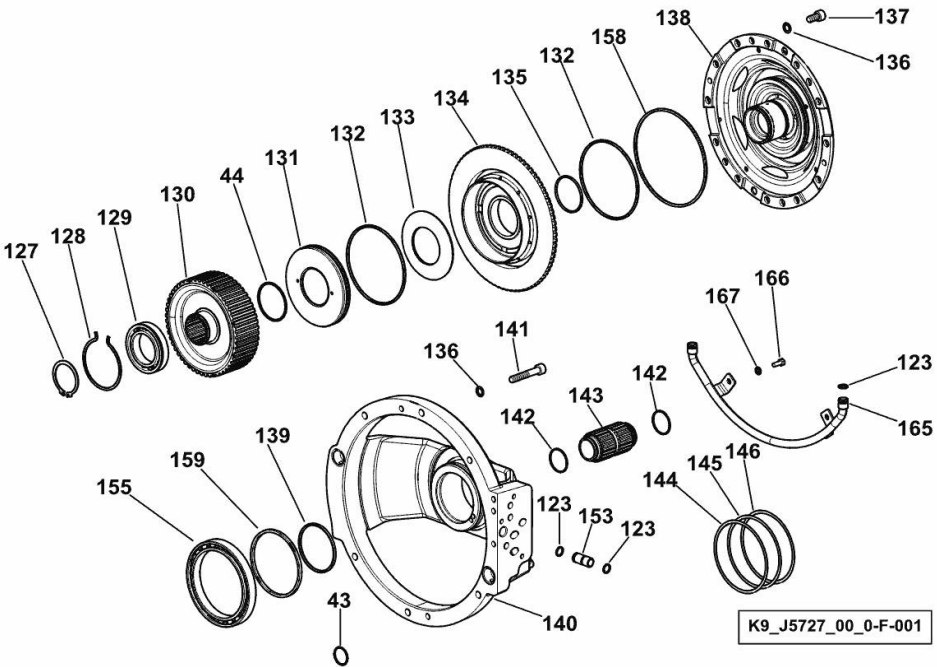
K9_J5727_00_0-E-002

Section: D0 - TRANSMISSION
HYDRAULIC SHUTTLE

Fig.	P/n	QTY	Name
------	-----	-----	------

Notes:
 [IRON³ 210 DCR -> 10010] 10012 <-

43	2.1532.072.0	2	oil seal 26.70x1.78
44	2.1422.037.7	3	circlip 60x1.5
63	2.4019.465.0	3	spring 25.1x32.5x50
123	2.1539.071.0	13	special oil seal 11.11x1.78
127	2.1410.020.1	1	circlip 50
128	2.1499.230.1	1	circlip Ø 76
129	2.2044.007.0	1	bearing 50x80x16
130	0.014.0895.0/20	1	hub
131	0.012.9767.0/20	1	cap
132	2.1532.225.0	2	oil seal 123.42x3.53
133	2.4099.171.7	5	spring
134	0.015.3729.0/10	1	piston
135	2.1532.133.0	1	oil seal 53.64x2.62
136	2.1480.015.2	22	washer 10
137	2.0314.306.2	16	screw m10 p.1.5x20
138	0.014.2088.0/30	1	flange
139	2.1499.112.7	3	circlip 80x2.8
140	0.012.9755.3/50	1	flange
141	2.0312.318.2	6	screw m 10 x 60
142	2.1532.092.0	2	ring 34.65x1.78
143	0.013.0246.0	1	sleeve
144	2.1580.407.9	2	shim 110.5x119.5x0.15
145	2.1580.401.9	2	shim 110.5x119.5x0.2
146	2.1580.402.9	1	shim 110.5x119.5x0.5
153	0.014.0899.0/20	1	tube
155	2.2999.498.0	1	bearing 110x140x16
158	2.1532.256.0	1	oil seal 152x3.53
159	2.1499.247.7/10	1	ring
165	0.015.7370.3	1	tube
166	2.0112.005.2	2	screw m 6 p.1 x 16
167	2.1475.001.7	2	washer 6.4x12

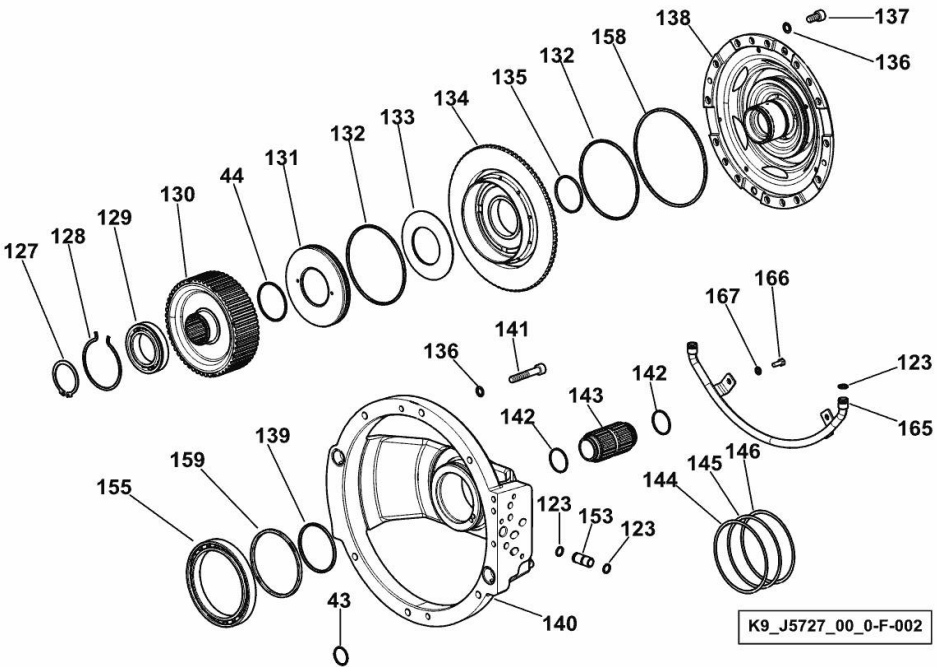


Section: D0 - TRANSMISSION
HYDRAULIC SHUTTLE

Fig.	P/n	QTY	Name
------	-----	-----	------

Notes:
[IRON³ 210 DCR -> 10010] -> 10015

43	2.1532.072.0	2	oil seal 26.70x1.78
44	2.1422.037.7	3	circlip 60x1.5
123	2.1539.071.0	13	special oil seal 11.11x1.78
127	2.1410.020.1	1	circlip 50
128	2.1499.230.1	1	circlip Ø 76
129	2.2044.007.0	1	bearing 50x80x16
130	0.014.0895.0/20	1	hub
131	0.012.9767.0/20	1	cap
132	2.1532.222.0	2	oil seal 120.24x3.53
133	2.4099.171.7	5	spring
134	0.015.3729.0/10	1	piston
135	2.1532.133.0	1	oil seal 53.64x2.62
136	2.1480.015.2	22	washer 10
137	2.0314.306.2	16	screw m10 p.1.5x20
138	0.014.2088.0/40	1	flange
139	2.1499.112.7	3	circlip 80x2.8
140	0.012.9755.3/70	1	flange
141	2.0312.318.2	6	screw m 10 x 60
142	2.1532.092.0	2	ring 34.65x1.78
143	0.013.0246.0	1	sleeve
144	2.1580.407.9	2	shim 110.5x119.5x0.15
145	2.1580.401.9	2	shim 110.5x119.5x0.2
146	2.1580.402.9	1	shim 110.5x119.5x0.5
153	0.014.0899.0/20	1	tube
155	2.2999.498.0	1	bearing 110x140x16
158	2.1532.256.0	1	oil seal 152x3.53
159	2.1499.247.7/10	1	ring
165	0.015.7370.3	1	tube
166	2.0112.005.2	2	screw m 6 p.1 x 16
167	2.1475.001.7	2	washer 6.4x12



Section: D0 - TRANSMISSION
H-M-L UNIT

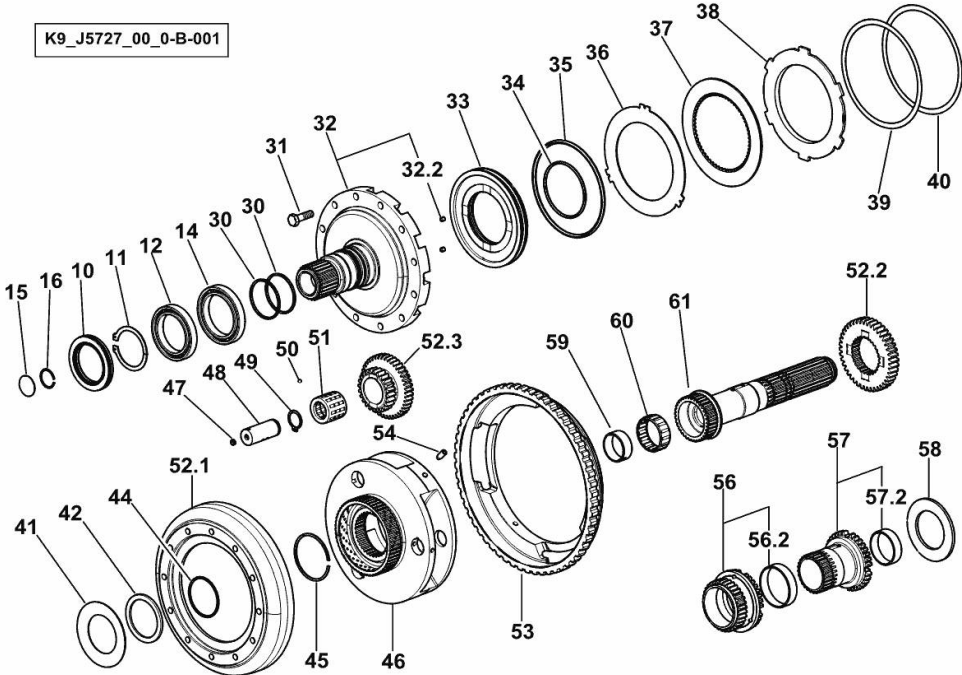


Fig.	P/n	QTY	Name
------	-----	-----	------

Notes:
 [IRON³ 210 DCR -> 10010] 10012 <-

10	2.1519.116.0/10	1	oil seal 85
11	2.1410.024.1	1	circlip Ø 60 mm
12	2.2999.272.0	1	special bearing 60x85x13
14	2.2010.014.0	1	ball bearing
15	2.3170.013.2	1	expansion plug 32
16	2.1421.011.1	1	circlip b 28
30	2.1499.108.7	2	ring 57.70x62x2.15
31	2.0132.209.2	12	screw m 10 p.1.25 x 35
32	0.016.2783.3	1	container
32.2	2.0512.101.1	2	screw
33	0.008.4542.0/60	1	piston
34	2.1539.113.0	1	oil seal 82.14 x 3.53
35	2.1539.114.0	1	oil seal 142.24x5.33
36	0.008.5203.0/20	3	clutch plate mm 2.10
37	0.007.7499.2	3	clutch plate mm 3.50
38	0.008.4567.0/10	1	disc mm 4 - mm 9
39	2.1589.223.0	2	shoulder ring 154x170x0.5
40	2.1589.222.0	3	shoulder ring 154x170x0.2
41	2.4099.068.1	1	spring 60.8x102
42	2.1549.084.0	1	spacer 60x75x3
44	2.1422.037.7	3	circlip 60x1.5
45	2.1422.041.7	1	circlip 70x1.5
46	0.013.4048.0	1	spider
47	2.3171.002.4	9	plug 8
48	0.011.8733.0/10	3	pin mm 25x60.2
49	2.1410.010.1	3	circlip 25
50	2.2819.003.0	9	ball 4.5
51	2.2999.427.0	3	roller bearing 25X41
52.1	0.008.4552.0/10	1	crown wheel
52.2	0.008.4548.0/20	1	gear
52.3	0.011.8735.3	1	planet gear n. 3
53	0.013.5991.0/20	1	gear wheel
54	2.0399.212.7	3	grub screw
56	0.015.2261.3/10	1	gear
56.2	2.1559.268.0/10	1	special bushing
57	0.016.3232.3	1	shaft
57.2	2.1559.269.0/10	1	special bushing
58	2.1599.608.0	1	shoulder ring 48.2x78x4
59	2.1559.299.0	1	special bushing 40x45x17
60	2.2999.261.0	1	roller cage 45x55x20
61	0.012.9847.0/40	1	shaft

Section: D0 - TRANSMISSION
H-M-L UNIT

K9_J5727_00_0-B-002

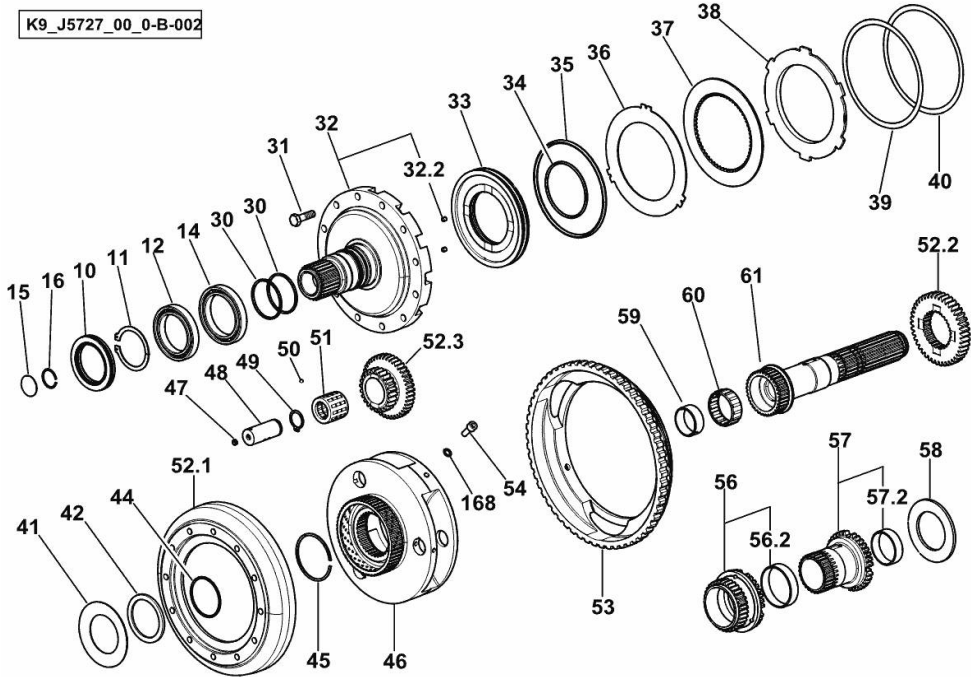


Fig.	P/n	QTY	Name
------	-----	-----	------

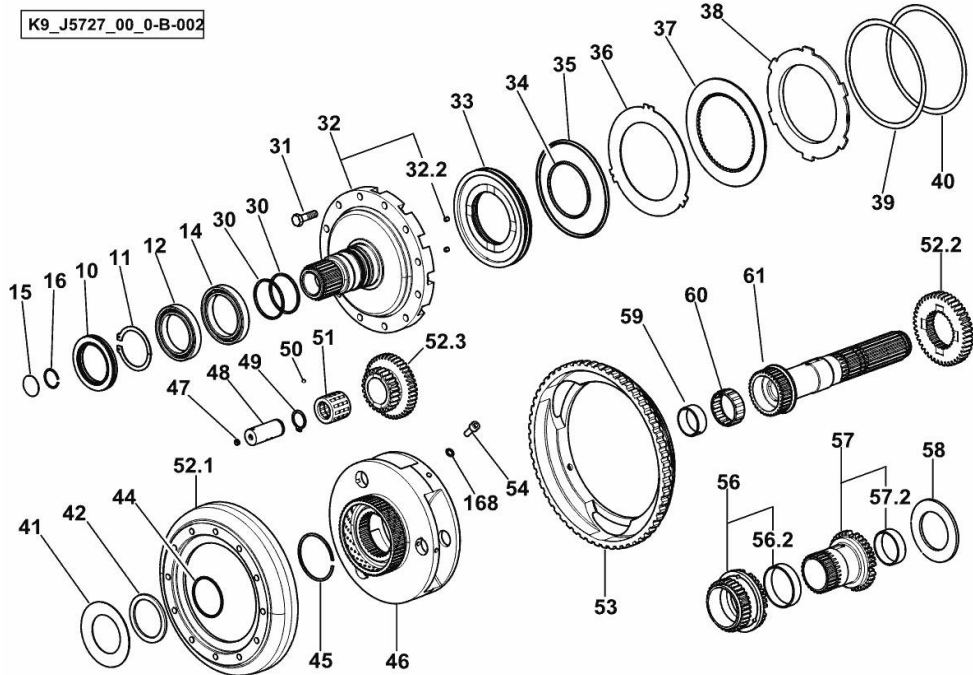
Notes:
 [IRON³ 210 DCR -> 10010] -> 10015

10	2.1519.116.0/10	1	oil seal 85
11	2.1410.024.1	1	circlip Ø 60 mm
12	2.2999.272.0	1	special bearing 60x85x13
14	2.2010.014.0	1	ball bearing
15	2.3170.013.2	1	expansion plug 32
16	2.1421.011.1	1	circlip b 28
30	2.1499.108.7	2	ring 57.70x62x2.15
31	2.0132.209.2	12	screw m 10 p.1.25 x 35
32	0.016.2783.3	1	container
32.2	2.0512.101.1	2	screw
33	0.008.4542.0/60	1	piston
34	2.1539.113.0	1	oil seal 82.14 x 3.53
35	2.1539.114.0	1	oil seal 142.24x5.33
36	0.008.5203.0/20	3	clutch plate mm 2.10
37	0.007.7499.2	3	clutch plate mm 3.50
38	0.008.4567.0/10	1	disc mm 4 - mm 9
39	2.1589.223.0	2	shoulder ring 154x170x0.5
40	2.1589.222.0	3	shoulder ring 154x170x0.2
41	2.4099.068.1	1	spring 60.8x102
42	2.1549.084.0	1	spacer 60x75x3
44	2.1422.037.7	3	circlip 60x1.5
45	2.1422.041.7	1	circlip 70x1.5
46	0.013.4048.0/10	1	spider
47	2.3171.002.4	9	plug 8
48	0.011.8733.0/10	3	pin mm 25x60.2
49	2.1410.010.1	3	circlip 25
50	2.2819.003.0	9	ball 4.5
51	2.2999.427.0	3	roller bearing 25X41
52.1	0.008.4552.0/10	1	crown wheel
52.2	0.008.4548.0/20	1	gear
52.3	0.011.8735.3	1	planet gear n. 3
53	0.013.5991.0/40	1	gear wheel Z = 58
54	2.0314.206.2	3	screw
56	0.015.2261.3/10	1	gear
56.2	2.1559.268.0/10	1	special bushing
57	0.016.3232.3	1	shaft
57.2	2.1559.269.0/10	1	special bushing
58	2.1599.608.0	1	shoulder ring 48.2x78x4
59	2.1559.299.0	1	special bushing 40x45x17
60	2.2999.261.0	1	roller cage 45x55x20
61	0.012.9847.0/40	1	shaft

H-M-L UNIT

Fig.	P/n	QTY	Name
168	2.1480.014.2	3	washer 8

K9_J5727_00_0-B-002



Section: D0 - TRANSMISSION
H-M-L UNIT

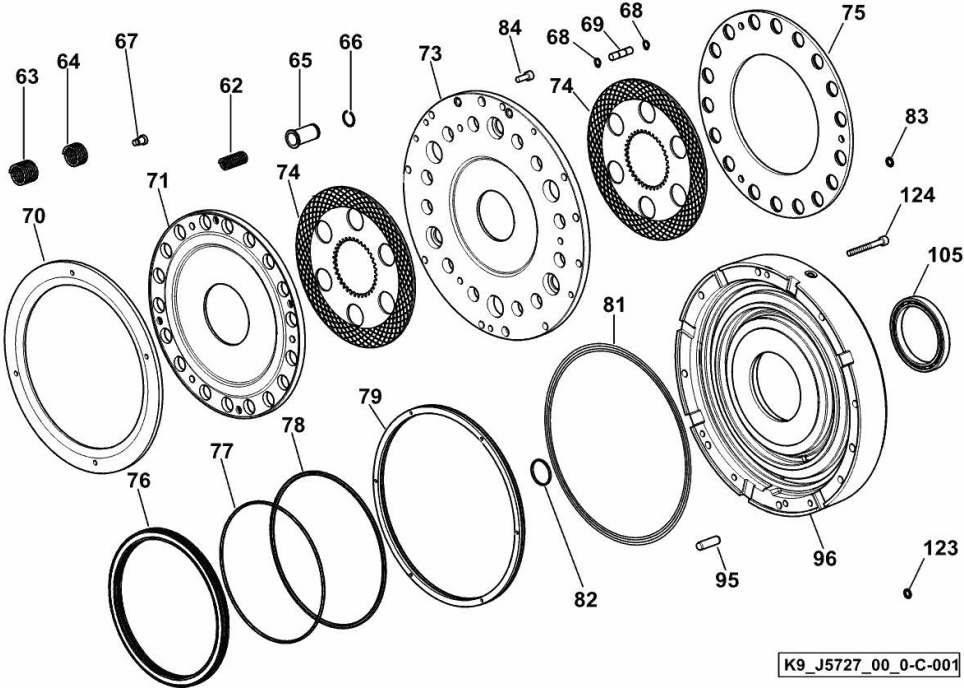


Fig.	P/n	QTY	Name
Notes:			
[IRON ³ 210 DCR -> 10010]			
62	2.4019.788.0	18	spring 18x11x56.5
63	2.4019.465.0	3	spring 25.1x32.5x50
64	2.4019.466.0	3	spring 25.1x32.5x29.5
65	2.1559.438.0	18	bushing
66	2.1420.009.7	9	ring Ø 22
67	2.0169.022.7/10	4	screw
68	2.1410.001.1	6	circlip 10
69	2.1699.304.0	3	pin 10x8x42
70	0.013.0857.0	1	flange
71	0.015.2231.0	1	disc
73	0.015.2194.0/10	1	disc
74	0.015.2236.2	2	clutch plate
75	0.013.0859.0/10	1	disc
76	0.012.9933.0	1	piston
77	2.1532.296.0	1	oil seal 215.5 x 3.53
78	2.1532.302.0	1	oil seal 234.54x3.53
79	0.014.0107.0	1	piston
81	2.1532.031.0	3	oil seal 291.64x3.53
82	2.1499.109.0/10	1	ring 37.1x40x2.5
83	2.1532.018.0	4	oil seal 9.19 x 2.62
84	2.0312.206.2	2	screw m 8 p 1.25 x 20
95	2.1651.917.0	1	cylindrical plug 12x40
96	0.014.0863.3/40	1	flange
105	2.2011.019.0	1	bearing 90x115x13
123	2.1539.071.0	13	special oil seal 11.11x1.78
124	2.0312.220.2	3	screw m 8 p.1.25x70



Suggest:

For more complete manuals. Please go to the home page.

<https://www.ebooklibonline.com>

If the above button click is invalid. Please download this document first, and then click the above link to download the complete manual.

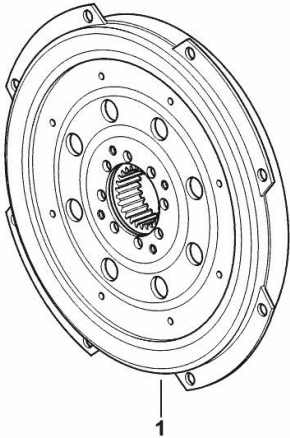
Thank you so much for reading

FLEXIBLE COUPLINGS

Fig.	P/n	QTY	Name
------	-----	-----	------

Notes:
[IRON³ 210 DCR -> 10010]

1	0.013.8769.4/20	1	flexible coupling
---	-----------------	---	-------------------



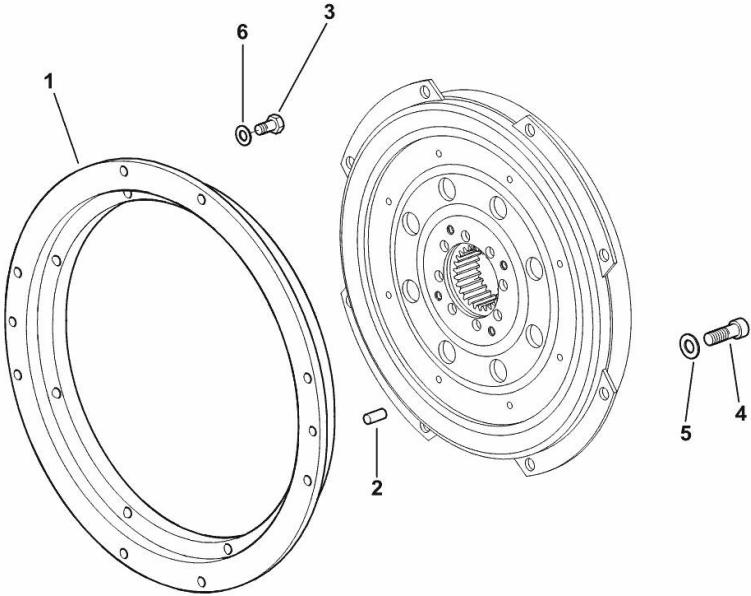
K9_J2527_01_0-A-001

DAMPING COUPLING

Fig.	P/n	QTY	Name
------	-----	-----	------

Notes:
 [IRON³ 210 DCR -> 10010]

1	0.013.6141.0/10	1	flange
2	2.1630.711.0	2	pin
3	2.0112.209.2	8	screw m 8 p 1.25 x 25
4	2.0312.306.2	8	screw m 10 p.1.5 x 20
5	2.1480.015.2	8	washer 10
6	2.1475.002.2	8	conical washer 8



K9_B3927_01_0-A-001

<https://www.ebooklibonline.com>

Hello dear friend!

Thank you very much for reading.

Enter the link into your browser.

The full manual is available for immediate download.

<https://www.ebooklibonline.com>