

**REAR AXLE - MOUNTINGS**

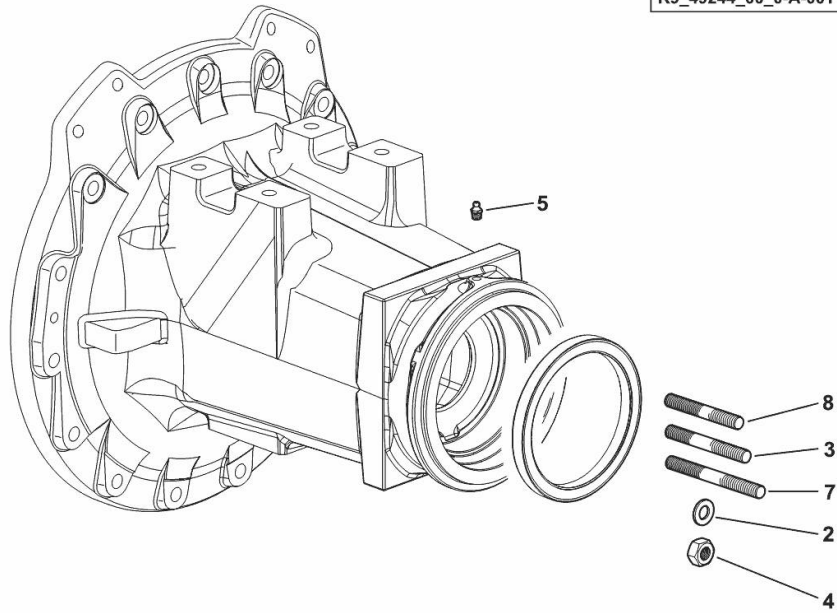
Fig.	P/n	QTY	Name
------	-----	-----	------

**Notes:**

[IRON<sup>3</sup> 190 DCR ->ZKDU0502W0LS10010]

2	2.1475.005.7	30	washer 14
3	2.0432.326.7	24	stud bolt m 14 p.2-1.5x110
4	2.1011.308.2	30	nut m 14 p.1.5
5	2.3820.105.2	2	grease gun m 10 p.1 x 7
7	2.0432.328.7	4	stud bolt m 14 p.2-1.5x130
8	2.0432.325.7	2	stud bolt m 14 p.2-p1.5x100

K9\_49244\_00\_0-A-001



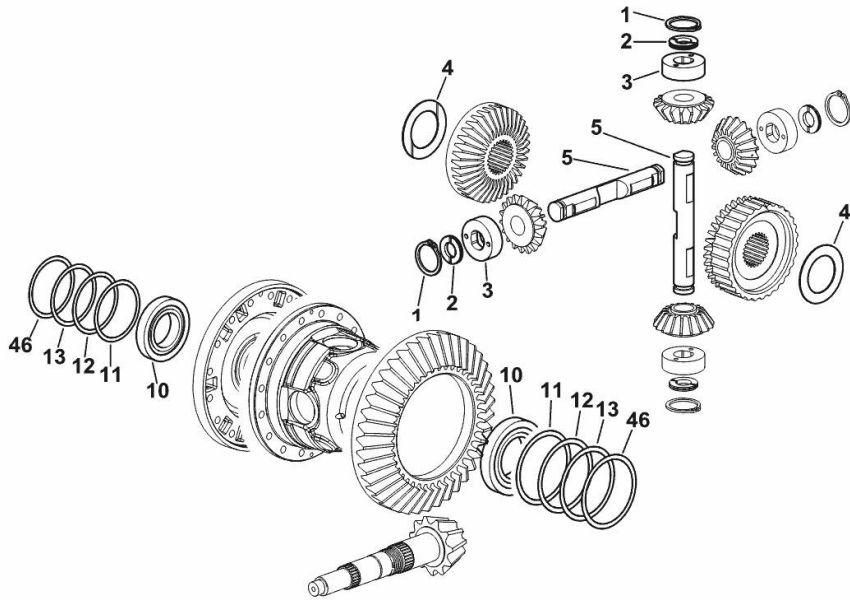
**REAR DIFFERENTIAL**

Fig.	P/n	QTY	Name
------	-----	-----	------

**Notes:**

[IRON<sup>3</sup> 190 DCR ->ZKDU0502W0LS10010]

1	2.1410.016.1	4	circlip 40
2	0.233.3551.0	8	shoulder ring
3	0.264.3550.0/20	4	spacer
4	2.1599.889.0	2	slewing ring 55.5x85x2
5	0.012.6823.3	1	pin
10	2.2520.018.0	2	bearing
11	2.1589.089.0	8	shoulder ring 130x149x0.10
12	2.1589.090.0	4	shoulder ring 130x149x0.20
13	2.1589.091.0	8	shoulder ring 130x149x0.50
46	2.1580.433.0	4	shoulder ring 130x149x0.15



K9\_J5735\_02\_0-A-001

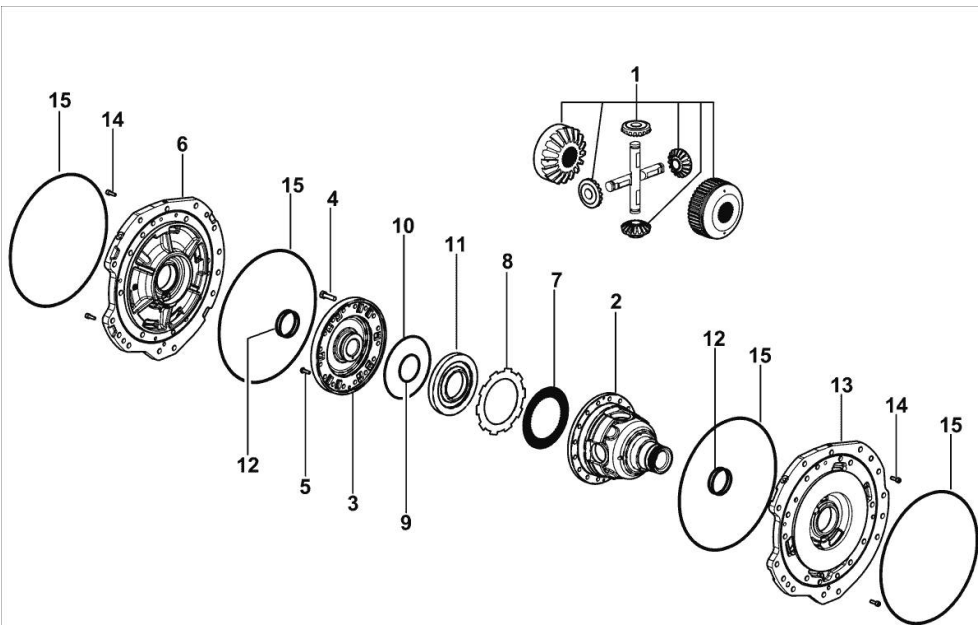
**DIFFERENTIAL**

Fig.	P/n	QTY	Name
------	-----	-----	------

**Notes:**

[IRON<sup>3</sup> 190 DCR ->ZKDU0502W0LS10010]

1	0.005.8257.3/20	1	planet gear
2	0.015.3004.3/40	1	differential carrier
3	0.015.3020.3/30	1	half box
4	2.0139.013.1	16	screw m 12 p.1.25x45
5	2.0112.209.2	2	screw m 8 p 1.25 x 25
6	0.015.7696.0/40	1	flange dx/rh/re
7	0.013.9447.2	8	disc
8	0.013.9450.0	8	disc
9	2.1539.101.0	1	special oil seal 78.97x3.53
10	2.1539.102.0	1	special oil seal 190.1x3.53
11	0.005.8256.0/10	1	piston
12	2.1499.111.0	4	ring 82 ( 10018 <- )
12	2.1499.254.0/10	4	ring 82
13	0.015.7694.0/40	1	flange sx/lh/li
14	2.0312.208.2	4	screw m 8 p.1.25 x 25
15	2.1532.518.0	4	oil seal 405.26x3.53



K9\_J5735\_00\_0-A-001

**<https://www.ebooklibonline.com>**

Hello dear friend!

Thank you very much for reading.

Enter the link into your browser.

The full manual is available for immediate download.

**<https://www.ebooklibonline.com>**

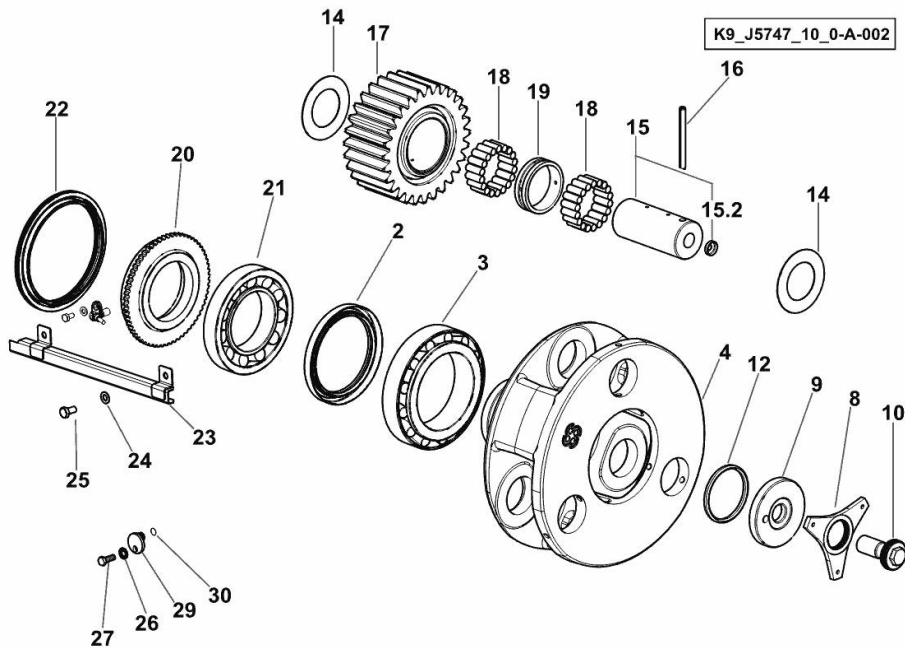
**REAR FINAL DRIVES**

Fig.	P/n	QTY	Name
------	-----	-----	------

**Notes:**

[IRON<sup>3</sup> 190 DCR ->ZKDU0502W0LS10010]

2	2.1529.056.0/10	2	special oil seal Ø 110/140 x13
3	2.2510.020.0	2	roller bearing Ø 110/170 x38
4	0.008.5990.0/40	2	spider
8	0.015.9970.0/30	2	flange
9	0.016.0002.0/20	2	slewing ring
10	2.0399.327.7/20	2	screw m24x2
12	2.1532.171.0	2	oil seal 72.39x5.34
14	2.1599.675.0	12	shoulder 54.3x90x1.5
15	0.008.5992.3/10	6	pin
15.2	2.3179.010.4	2	plug
16	2.1630.722.0	6	roll pin
17	0.008.5991.0	6	planet gear
18	2.2999.512.0	6	roller cage
19	0.008.5993.0	6	spacer
20	0.016.7454.0	2	spacer
21	2.2520.018.0	2	bearing
22	2.1519.149.0	2	ring 140x169x15
23	0.015.6173.2/10	1	shield
24	2.1475.002.2	2	conical washer 8
25	2.0112.205.2	2	screw m 8 p.1.25 x 16
26	2.1310.002.2	2	flat washer 6.4x12.5
27	2.0112.003.2	2	screw m 6 p.1 x 12
29	0.016.2751.0	1	flange
30	2.1532.012.0	1	oil seal 6.75 x 1.78



**IRON<sup>3</sup> 190 DCR ->ZKDU0502W0LS10010**

Section: E0 - REAR AXLE

Ref: E0.02.3 (1)

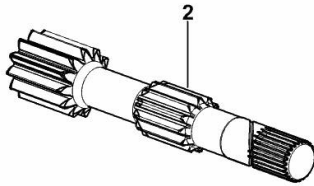
**REAR INTERNAL HALF-SHAFT SX/LH/LI - DX/RH/RE**

Fig.	P/n	QTY	Name
------	-----	-----	------

**Notes:**

[IRON<sup>3</sup> 190 DCR ->ZKDU0502W0LS10010]

2	0.016.0786.0	2	half-shaft
---	--------------	---	------------



K9\_J5747\_00\_0-A-001

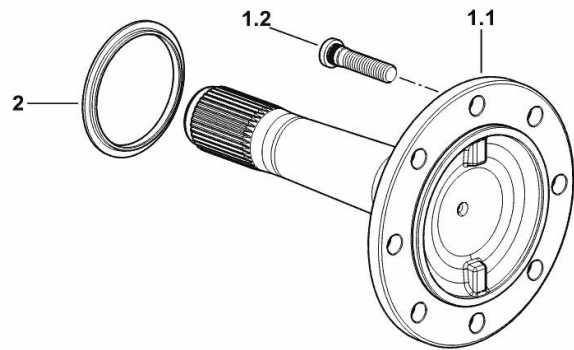
**REAR HALF-SHAFTS SX/LH/LI - DX/RH/RE**

Fig.	P/n	QTY	Name
------	-----	-----	------

**Notes:**

[IRON<sup>3</sup> 190 DCR ->ZKDU0502W0LS10010]

1.1	0.016.2452.0	2	half-shaft
1.2	0.009.3545.0	16	small column m 22 p.1.5x70 (...) <-
1.2	0.019.6046.0	16	small column m 22 p.1.5x95 -> (...)
2	0.016.7208.0	2	ring



K9\_J5747\_01\_0-A-003

IRON<sup>3</sup> 190 DCR ->ZKDU0502W0LS10010

Section: E0 - REAR AXLE

Ref: E0.02.5 (1)

**EXTENDIBLE REAR HALF SHAFTS SX/LH/LI - DX/RH/RE**

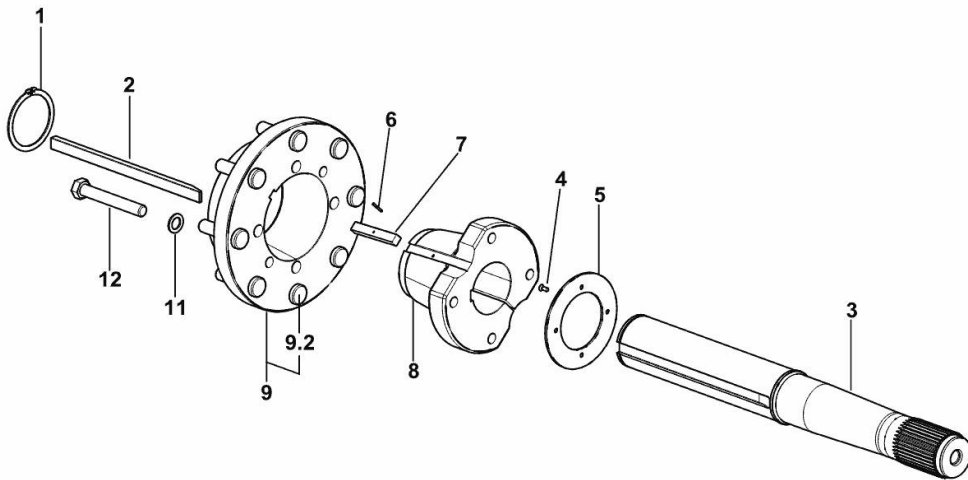
Fig.	P/n	QTY	Name
------	-----	-----	------

**Notes:**

[IRON<sup>3</sup> 190 DCR ->ZKDU0502W0LS10010]

1	2.1410.036.2	2	circlip 90
2	2.1799.025.2/10	2	stick
3	0.015.9870.0	2	half-shaft
4	2.0322.405.6	8	screw m 6 x 14
5	0.016.7560.0/10	2	guard
6	2.1630.211.0	2	roll pin 3x24
7	2.1799.020.2	2	stick
8	0.212.4757.0	2	flange
9	0.009.3540.3/10	2	flange
9.2	0.009.3541.0	8	small column m 22 p1.5x85
11	2.1475.008.2	8	washer 20
12	2.0119.080.2	8	screw

K9\_J5747\_02\_0-A-001



**REAR BRAKE HOUSINGS**

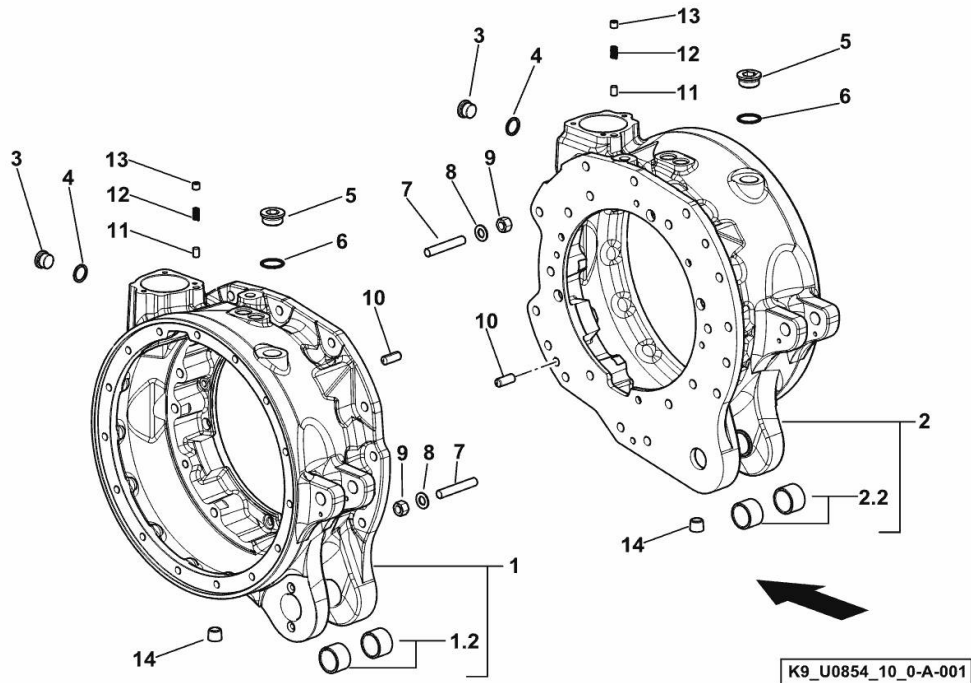


Fig.	P/n	QTY	Name
------	-----	-----	------

**Notes:**

[IRON<sup>3</sup> 190 DCR ->ZKDU0502W0LS10010]

1	0.018.1921.3	1	box
1.2	2.1559.418.0	2	bushing
2	0.018.1923.3	1	box
2.2	2.1559.418.0	2	bushing
3	2.3120.011.4	2	plug m 24 p.1.5
4	2.1560.019.0	2	copper gasket 24.3x30
5	2.3199.002.2	2	plug 1 gas
6	2.1560.056.0	2	gasket 33x39
7	2.0432.318.7	26	stud bolt
8	2.1475.005.7	26	washer 14
9	2.1011.308.2	26	nut m 14 p.1.5
10	2.1699.354.0	8	pin 14x37
11	0.427.6452.0	2	cap 10x15
12	2.4019.488.1	2	spring
13	2.0512.403.7	2	grub screw m 12x10
14	2.3130.004.1	2	plug 1/2 gas

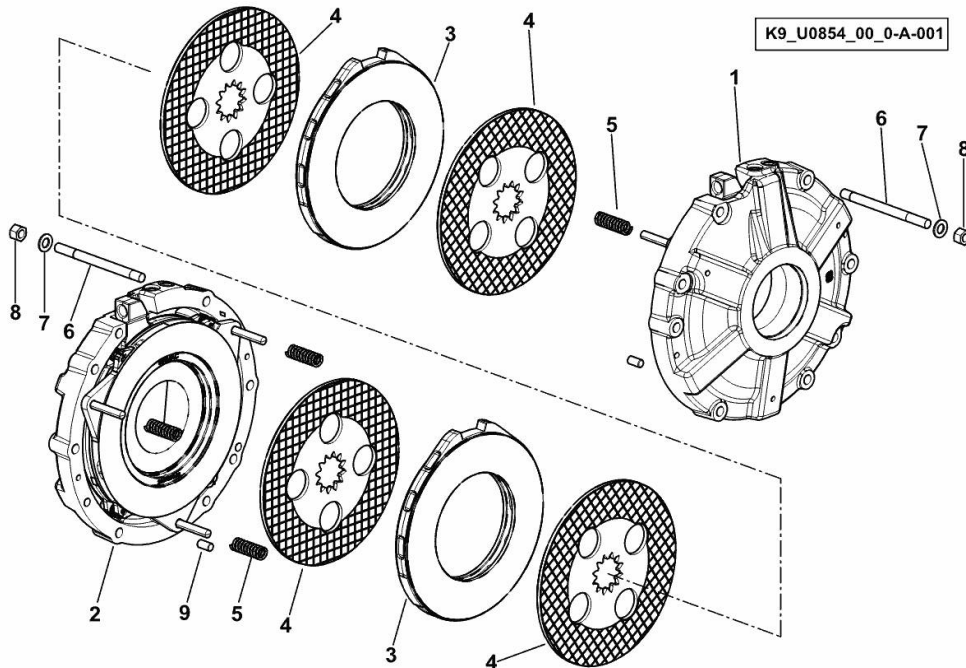
**REAR BRAKES**

Fig.	P/n	QTY	Name
------	-----	-----	------

**Notes:**

[IRON<sup>3</sup> 190 DCR ->ZKDU0502W0LS10010]

1	0.016.1776.4/30	1	box sx/lh/li ☞ 0.016.1776.4/30
2	0.016.1777.4/30	1	box dx/rh/re ☞ 0.016.1777.4/30
3	0.018.1937.0	2	pressure plate
4	0.017.5978.2	4	brake disc
5	2.4019.689.1/10	6	spring
6	2.0432.331.7	16	stud bolt m 14 p.1.5 x 160
7	2.1475.005.7	16	washer 14
8	2.1011.308.2	16	nut m 14 p.1.5
9	2.1655.608.0	4	pin 12 x 24



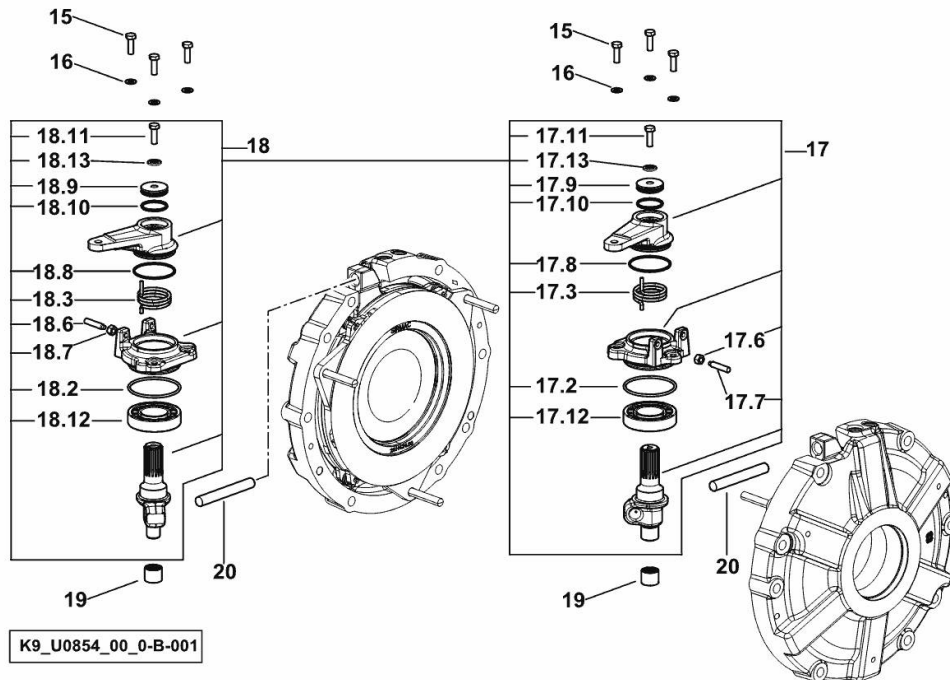
**REAR BRAKES**

Fig.	P/n	QTY	Name
------	-----	-----	------

**Notes:**

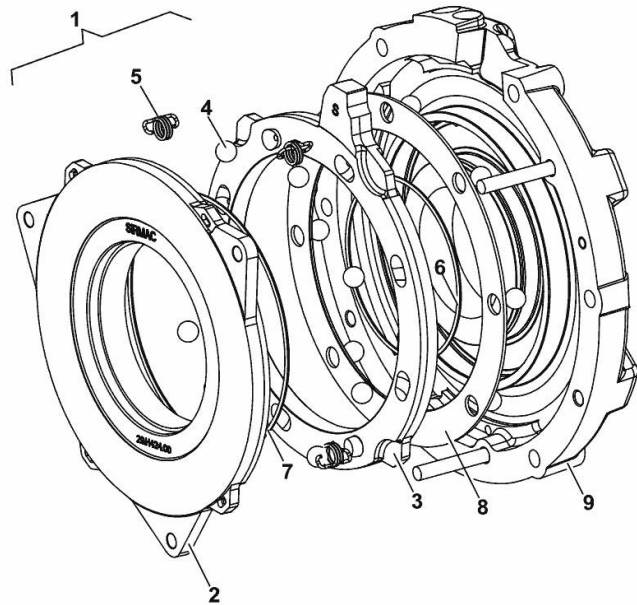
[IRON<sup>3</sup> 190 DCR ->ZKDU0502W0LS10010]

15	2.0112.209.2	6	screw m 8 p 1.25 x 25
16	2.1475.002.2	6	conical washer 8
17	0.016.0210.4/20	1	actuator sx/lh/li
17.2	2.1530.172.0	1	oil seal 73.03x3.53
17.3	2.4099.178.1	1	spring
17.6	2.1011.005.6	1	nut m 8 p.1.25
17.7	2.0522.216.7	1	grub screw m 8 p.1.25 x 40
17.8	2.1532.140.0	1	oil seal 56.82x2.62
17.9	0.016.0236.0/10	1	cup
17.10	2.1532.091.0	1	ring 34.60 x 2.62
17.11	2.0112.208.2	1	screw m 8 p.1.25 x 22
17.12	2.2423.012.0	1	roller bearing 40 x 80 x 18
17.13	2.1561.003.0	1	washer
18	0.016.0211.4/20	1	actuator dx/rh/re
18.2	2.1530.172.0	1	oil seal 73.03x3.53
18.3	2.4099.179.1	1	spring
18.6	2.1011.005.6	1	nut m 8 p.1.25
18.7	2.0522.216.7	1	grub screw m 8 p.1.25 x 40
18.8	2.1532.140.0	1	oil seal 56.82x2.62
18.9	0.016.0236.0/10	1	cup
18.10	2.1532.091.0	1	ring 34.60 x 2.62
18.11	2.0112.208.2	1	screw m 8 p.1.25 x 22
18.12	2.2423.012.0	1	roller bearing 40 x 80 x 18
18.13	2.1561.003.0	1	washer
19	2.2999.503.0	2	roller bearing
20	0.015.9557.0	2	rod



**REAR BRAKES sx/lh/li**

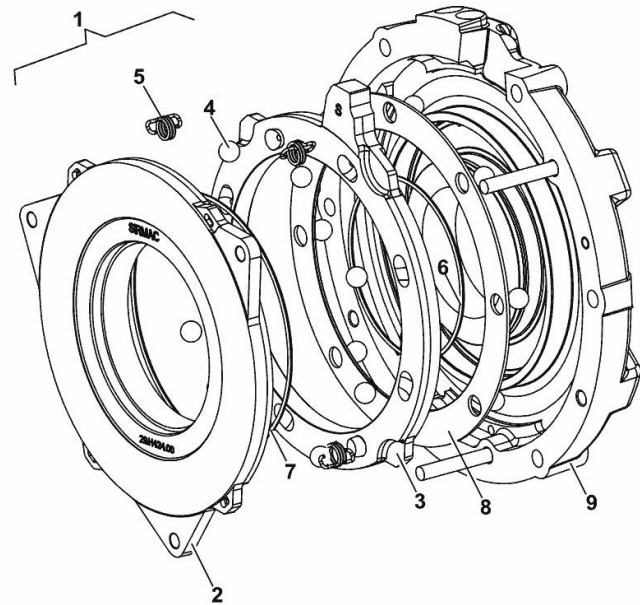
Fig.	P/n	QTY	Name
1	0.016.1776.4/30	1	box sx/lh/li
2	0.900.1209.3	1	piston
3	0.900.1208.3	1	ring
4	0.900.0455.5	16	ball Ø17.462 - 11/16"
5	0.900.0455.3	4	spring
6	0.900.1209.4	1	oil seal
7	0.900.0455.7	1	gasket
8	0.900.0455.2	1	ring
9	0.900.1209.5	1	cover



0.016.1776.4/30

**REAR BRAKES dx/rh/re**

Fig.	P/n	QTY	Name
1	0.016.1777.4/30	1	box dx/rh/re
2	0.900.1209.3	1	piston
3	0.900.1208.6	1	ring
4	0.900.0455.5	16	ball Ø17.462 - 11/16"
5	0.900.0455.3	4	spring
6	0.900.1209.4	1	oil seal
7	0.900.0455.7	1	gasket
8	0.900.0455.2	1	ring
9	0.900.1209.6	1	cover



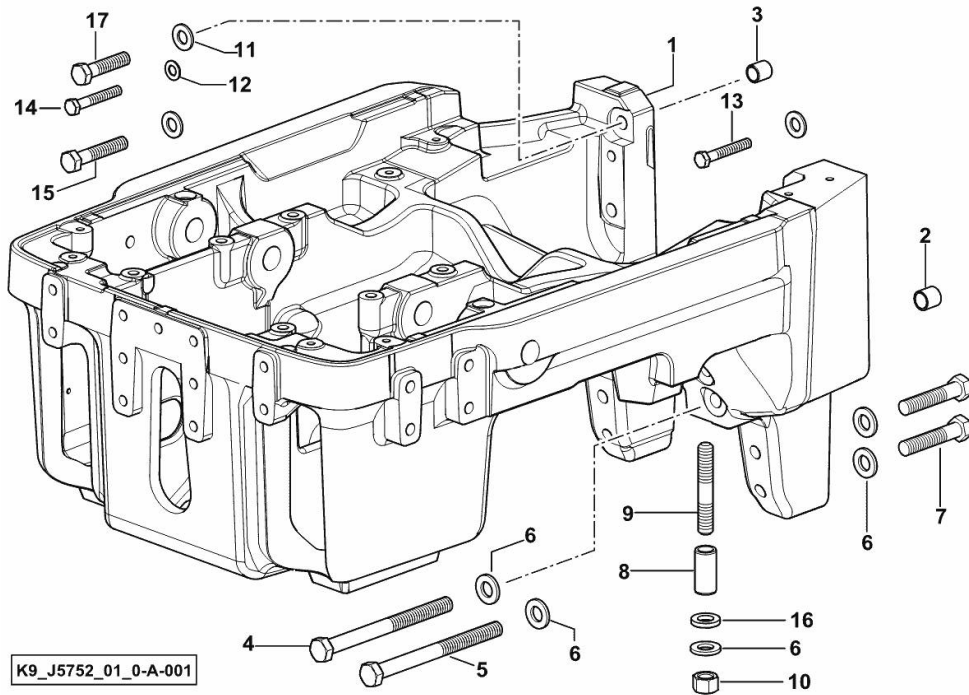
0.016.1777.4/30

**FRONT SUPPORT**

Fig.	P/n	QTY	Name
------	-----	-----	------

**Notes:**

- FOR TYPES WITHOUT SUSPENDED AXLE [IRON<sup>3</sup> 190 DCR ->ZKDU0502W0LS10010]



K9\_J5752\_01\_0-A-001

1	0.016.8517.0/30	1	front support
2	0.013.2899.0	4	bushing 19x24x23
3	2.2680.047.0	2	ring 17x22x23
4	2.0119.258.2/10	2	screw m 18 p.2.5 x 230
5	2.0119.259.2/10	2	screw
6	2.1475.007.7	12	washer 18
7	2.0114.725.2	4	screw m 18 p.2.5x80
8	2.1559.093.0	4	bushing 18.5x26x54
9	2.0432.523.7	4	bushing m 18 p.2.5-1.5x90
10	2.1019.060.2	4	special nut m 18 p.1.5
11	2.1475.006.2	4	spring washer 16
12	2.1475.004.2	2	spring washer 12
13	2.0112.627.2	1	screw m 16 p.2x90
14	2.0112.424.2	2	screw m 12 p.1.75x75
15	2.0112.626.2	2	screw m 16 p.2x85
16	2.1599.030.2	4	shoulder ring 19x35x6
17	2.0112.623.2	1	screw m 16 p.2 x 70



**Suggest:**

**For more complete manuals. Please go to the home page.**

**<https://www.ebooklibonline.com>**

**If the above button click is invalid. Please download this document first, and then click the above link to download the complete manual.**

**Thank you so much for reading**

**FRONT CARRIER WITH SUSPENSION**

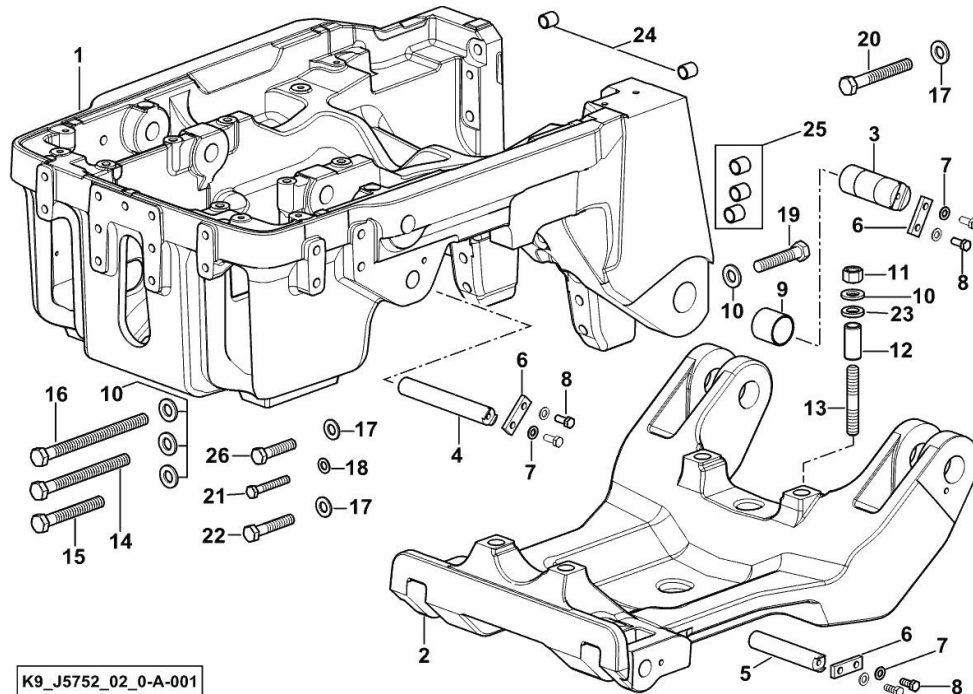


Fig.	P/n	QTY	Name
------	-----	-----	------

**Notes:**

- FOR TYPES WITH SUSPENDED DRIVING AXLE [IRON<sup>3</sup> 190 DCR ->ZKDU0502W0LS10010]

1	0.016.8518.0/40	1	shock abs.supp.
2	0.013.2035.0/30	1	front support
3	0.013.2444.0	2	pin
4	2.1699.542.2	2	pin 28x195
5	2.1699.499.2/10	2	pin 28 x 150
6	0.011.7897.0	6	plate
7	2.1475.003.2	12	washer 10
8	2.0112.309.2	12	screw m 10 p.1.5 x 25
9	0.013.2187.0	2	bushing
10	2.1475.007.7	14	washer 18
11	2.1019.060.2	4	special nut m 18 p.1.5
12	2.1559.093.0	4	bushing 18.5x26x54
13	2.0432.523.7	4	bushing m 18 p.2.5-1.5x90
14	2.0112.735.2	4	screw m 18 p.2.5x130
15	2.0112.745.2	2	screw
16	2.0119.258.2/10	2	screw m 18 p.2.5 x 230
17	2.1475.006.2	4	spring washer 16
18	2.1475.004.2	2	spring washer 12
19	2.0114.725.2	4	screw m 18 p.2.5x80
20	2.0112.627.2	1	screw m 16 p.2x90
21	2.0112.424.2	2	screw m 12 p.1.75x75
22	2.0112.626.2	2	screw m 16 p.2x85
23	2.1599.030.2	4	shoulder ring 19x35x6
24	2.2680.047.0	2	ring 17x22x23
25	0.013.2899.0	6	bushing 19x24x23
26	2.0112.623.2	1	screw m 16 p.2 x 70

K9\_J5752\_02\_0-A-001

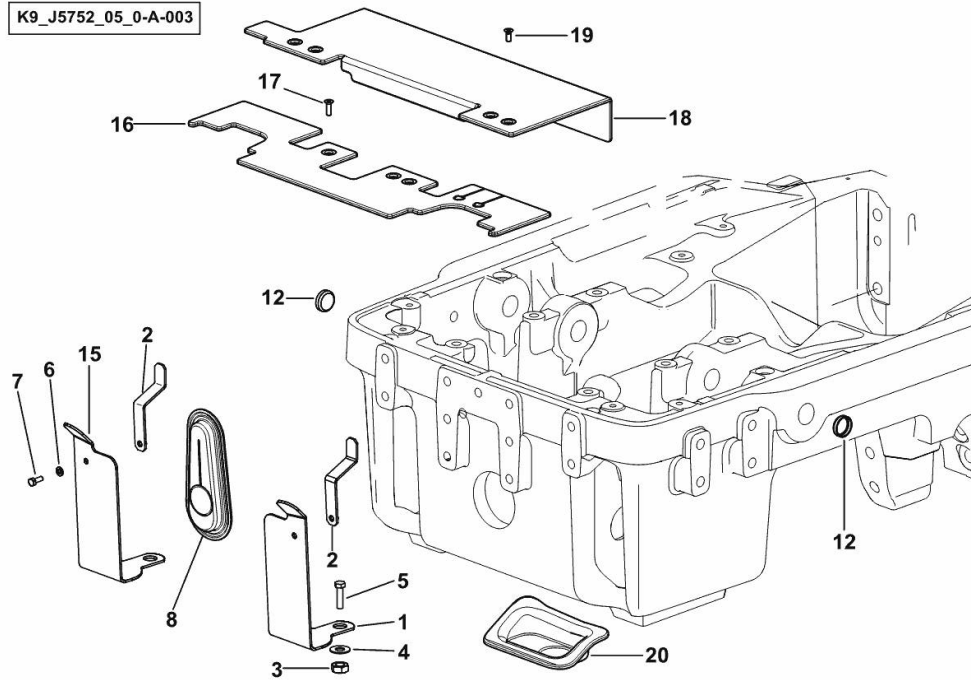
**FRONT SUPPORT PACKAGE**

Fig.	P/n	QTY	Name
------	-----	-----	------

**Notes:**

- FOR TYPES WITHOUT FRONT PTO AND FRONT LIFT [IRON<sup>3</sup> 190 DCR ->ZKDU0502W0LS10010]

K9\_J5752\_05\_0-A-003



1	0.011.6326.0	1	bracket sx/lh/li
2	0.011.6329.3	2	bracket
3	2.1011.109.2	2	nut m 16 p.2
4	2.1310.010.2	2	flat washer 17x30
5	2.0112.622.2	2	screw m 16 p.2x65
6	2.1310.002.2	2	flat washer 6.4x12.5
7	2.0112.004.2	2	screw m 6 p.1 x 14
8	0.017.8315.0	1	closure
12	2.3171.012.4	2	plug Ø 30
15	0.011.6398.0	1	bracket dx/rh/re
16	0.017.3928.3/20	1	closure
17	2.0342.205.3	3	screw m 6 p.1 x 20
18	0.017.3927.3/10	1	closure
19	2.0342.203.3	4	screw m 6 p.1.0 x 16
20	0.017.5898.0	1	closure

**<https://www.ebooklibonline.com>**

Hello dear friend!

Thank you very much for reading.

Enter the link into your browser.

The full manual is available for immediate download.

**<https://www.ebooklibonline.com>**