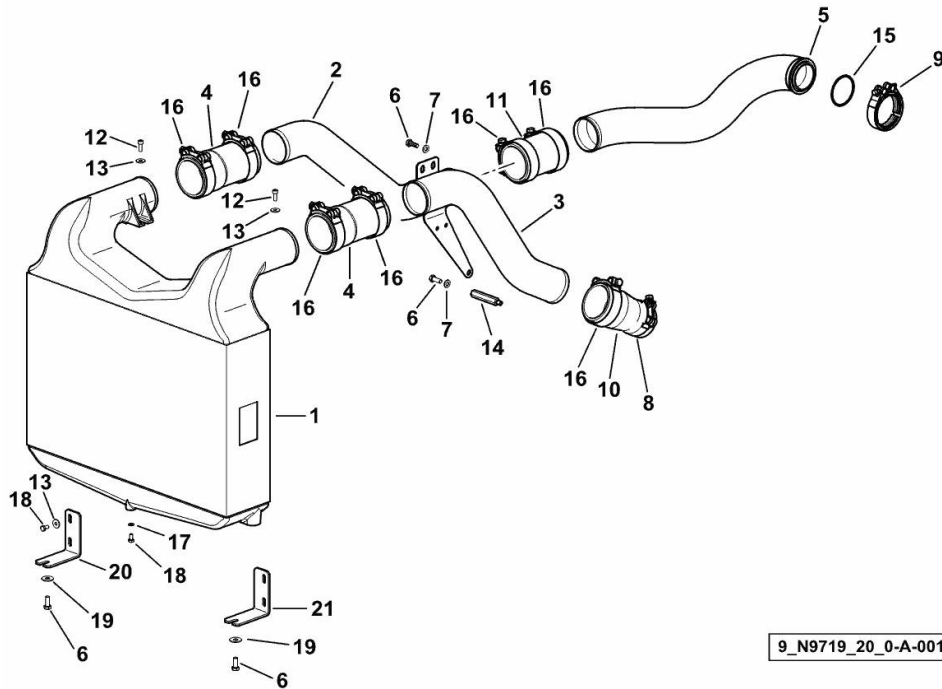


**INTERCOOLER**

Fig.	P/n	QTY	Name
------	-----	-----	------

Notes:  
[IRON 210]

1	0.015.3972.2	1	heat exchanger
2	0.014.9832.2/30	1	tube
3	0.014.9893.0/20	1	tube
4	0.015.4035.0/20	2	sleeve
5	0.015.3013.2/10	1	tube
6	2.0112.207.2	5	screw m 8 p 1.25 x 20
7	2.1310.004.2	3	flat washer 8.4x17
8	2.6859.113.0	1	clamp 63/68
9	2.6859.118.0	1	clamp Ø 77
10	0.015.0459.0	1	sleeve
11	0.015.3015.0/10	1	sleeve
12	2.0312.104.2	2	screw m 6 p.1 x 16
13	2.1312.003.2	6	washer 6
14	0.065.1762.0	1	small column m8 x 67
15	2.1532.143.0	1	oil seal
16	2.6859.111.0	7	clamp Ø 80-85
17	2.1475.201.2	1	washer 6.4x12
18	2.0112.003.2	5	screw m 6 p.1 x 12
19	2.1312.004.2	2	washer 8x24x2
20	0.015.4036.0	1	square
21	0.015.4037.0	1	square



**AIR CLEANER**

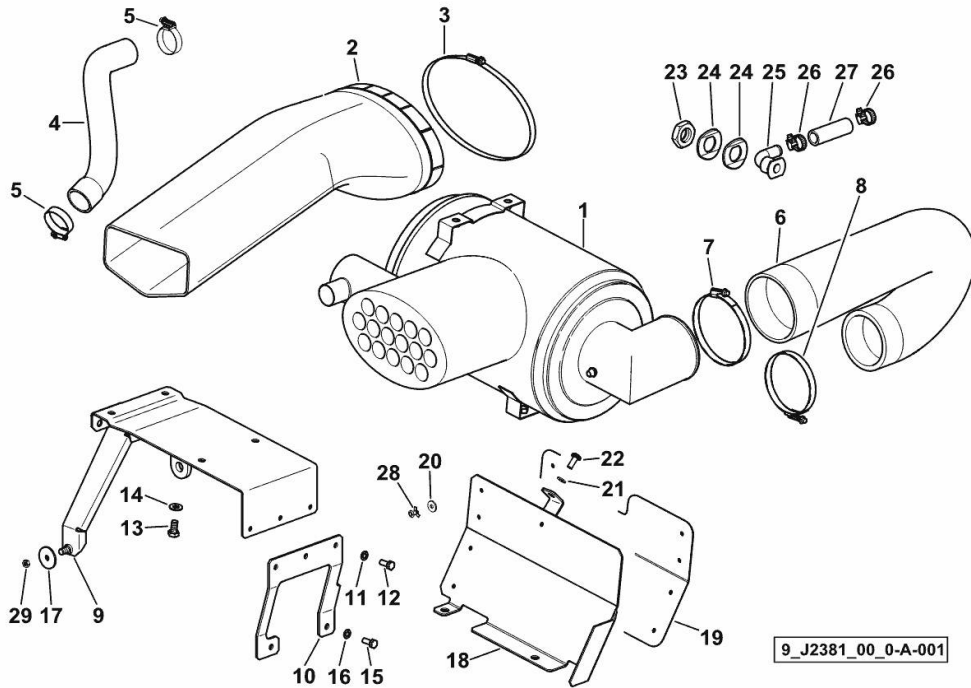
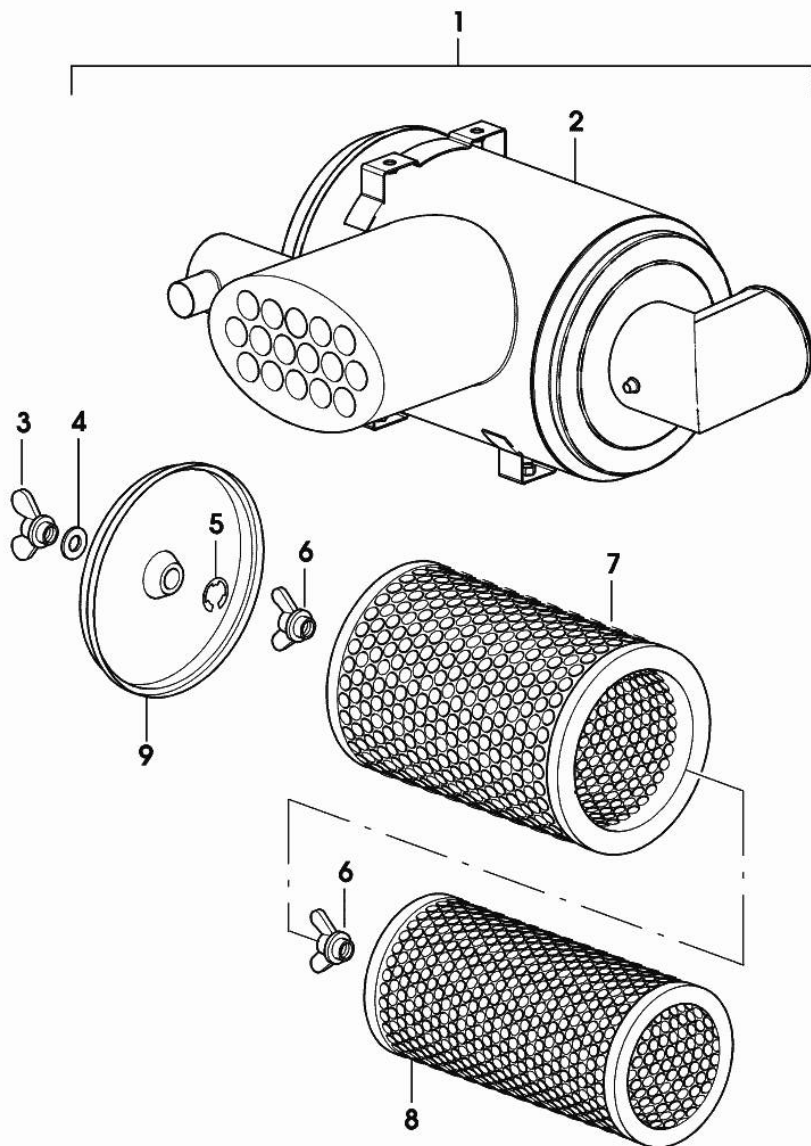


Fig.	P/n	QTY	Name
<b>Notes:</b>			
[IRON 210]			
1	2.4249.713.0	1	air filter ☞ 2.4249.713.0
2	0.015.4067.0	1	tube
3	2.6859.106.0	1	clamp 210/230
4	0.014.9849.0/10	1	tube
5	2.6851.005.0	2	clamp Ø 40/60
6	0.014.9902.3	1	sleeve
7	2.6851.012.0	1	clamp Ø 110/130
8	2.6851.010.0	1	clamp 90/110
9	0.014.9876.3/20	1	support
10	0.014.9825.3/10	1	bracket
11	2.1470.002.2	3	lock washer 6
12	2.0112.005.2	3	screw m 6 p.1 x 16
13	2.0112.307.2	4	screw m 10 p.1.5 x 20
14	2.1310.006.2	4	flat washer 10.5x21
15	2.0112.207.2	3	screw m 8 p 1.25 x 20
16	2.1470.004.2	2	lock washer 8
17	2.1599.082.0	1	washer 11 x 35 x 3
18	0.014.9966.3/10	1	insulating material
19	0.014.9987.0/10	1	shield
20	2.1312.002.2	8	washer 5
21	2.1310.004.2	1	flat washer 8.4x17
22	2.0332.507.2	1	screw m 8 p.1.25 x 20
23	2.1019.151.2	1	nut m27x2
24	0.013.7214.0	2	washer
25	0.013.7235.3/20	1	pipe fitting
26	2.6851.002.0	2	clamp Ø 20/32
27	0.013.5368.0/20	1	tube
28	2.1851.005.0	8	rivet 4.8
29	2.1011.106.2	1	nut m 10 p.1.5

**AIR FILTER PARTS**

Fig.	P/n	QTY	Name
1	2.4249.713.0	1	air filter
2	0.000.0000.1		cannot be supplied
3	0.010.2799.0	1	wing nut
4	0.010.2799.1	1	gasket
5	0.010.2799.2	1	friction ring
6	0.010.2800.0	2	wing nut
7	0.010.2800.1	1	external air filter element
8	0.010.2800.2	1	internal air filter element
9	0.010.2801.0	1	cover



2\_4249\_713\_0

**<https://www.ebooklibonline.com>**

Hello dear friend!

Thank you very much for reading.

Enter the link into your browser.

The full manual is available for immediate download.

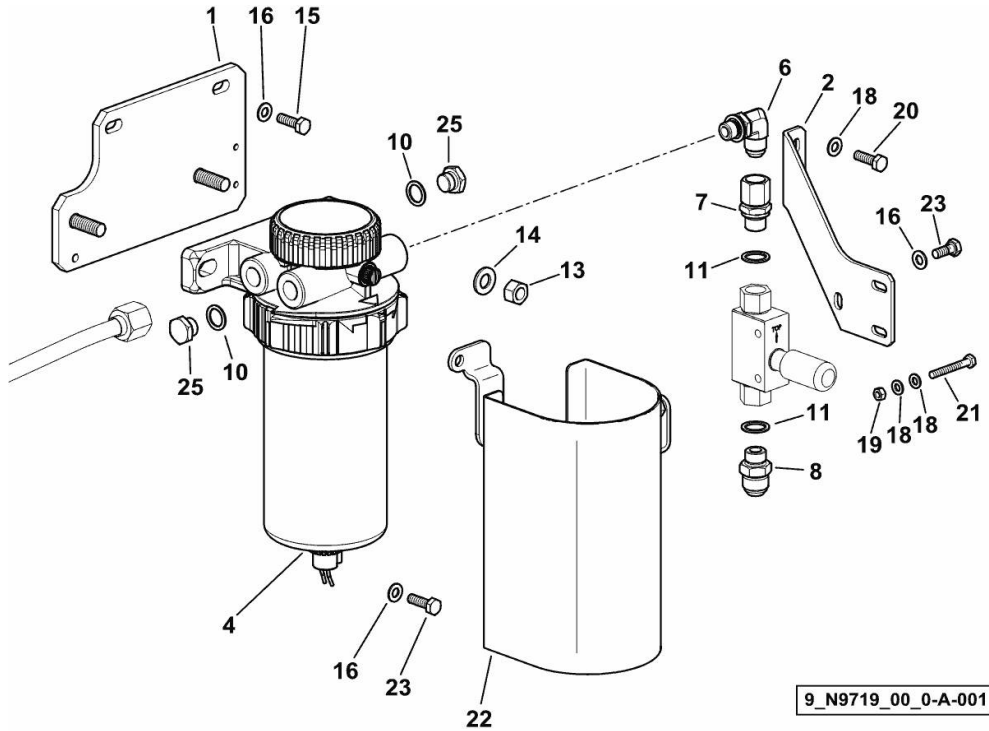
**<https://www.ebooklibonline.com>**

**FUEL PRELIMINARY FILTER**

Fig.	P/n	QTY	Name
------	-----	-----	------

Notes:  
[IRON 210]

1	0.015.1195.3/10	1	plate
2	0.015.1203.0/10	1	bracket
4	2.4319.300.0	1	precleaner ☞ 2.4319.300.0
6	2.3249.101.2	1	pipe fitting m 16 p1.5
7	2.3339.877.2	1	pipe fitting m 18 p.1.5 3/4" - 16 JIC
8	2.3261.010.2	1	pipe fitting m 18 p.1.5 - 7/8" 14
10	2.1560.012.0	5	gasket 16.2 x 22
11	2.1560.014.0	2	washer 18.2 x 24
13	2.1011.422.2	2	nut m 12 p.1.25
14	2.1310.007.2	2	flat washer 13 x 24
15	2.0112.209.2	2	screw m 8 p 1.25 x 25
16	2.1310.004.2	5	flat washer 8.4x17
18	2.1310.002.2	6	flat washer 6.4x12.5
19	2.1011.103.2	2	nut m 6 p.1
20	2.0112.005.2	2	screw m 6 p.1 x 16
21	2.0112.017.2	2	screw m 6 p.1x45
22	0.014.3711.3	1	shield
23	2.0112.207.2	2	screw m 8 p 1.25 x 20
25	2.3110.404.2	2	plug m 16 p.1.5

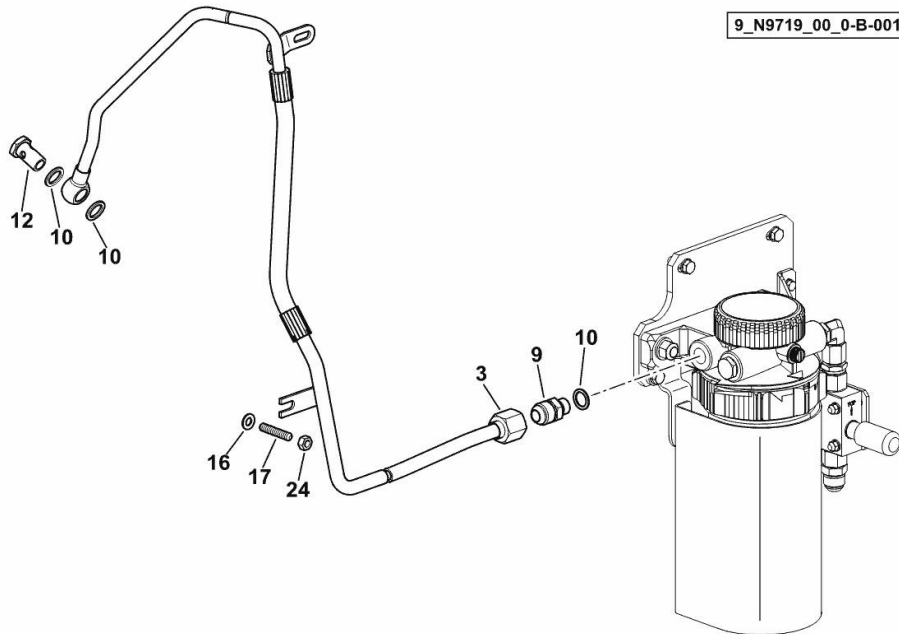


**FUEL PRE-FILTER PIPES**

Fig.	P/n	QTY	Name
------	-----	-----	------

Notes:  
[IRON 210]

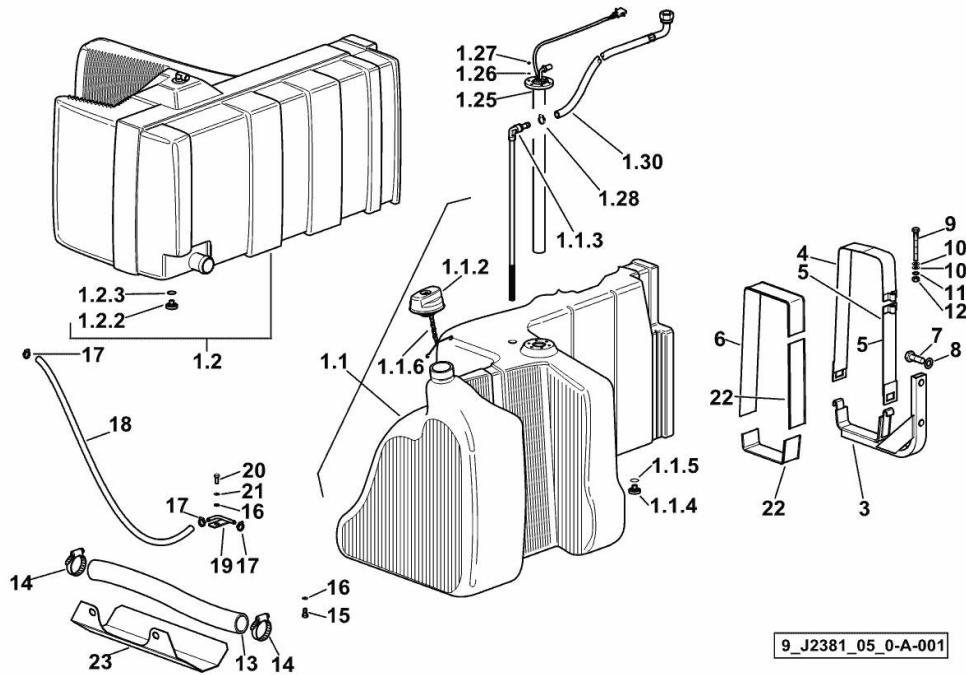
3	0.015.1232.3/10	1	tube
9	2.3249.088.2	1	pipe fitting M16x1,5-7/8" 14 JIC
10	2.1560.012.0	5	gasket 16.2 x 22
12	2.3335.007.2	1	pipe union m 16 p.1.5x28
16	2.1310.004.2	5	flat washer 8.4x17
17	2.0432.007.2	1	stud bolt m 8 p.1.25 / p.1 x 30
24	2.1011.105.2	1	nut m 8 p.1.25



**FUEL TANK**

Fig.	P/n	QTY	Name
------	-----	-----	------

Notes:  
[IRON 210]



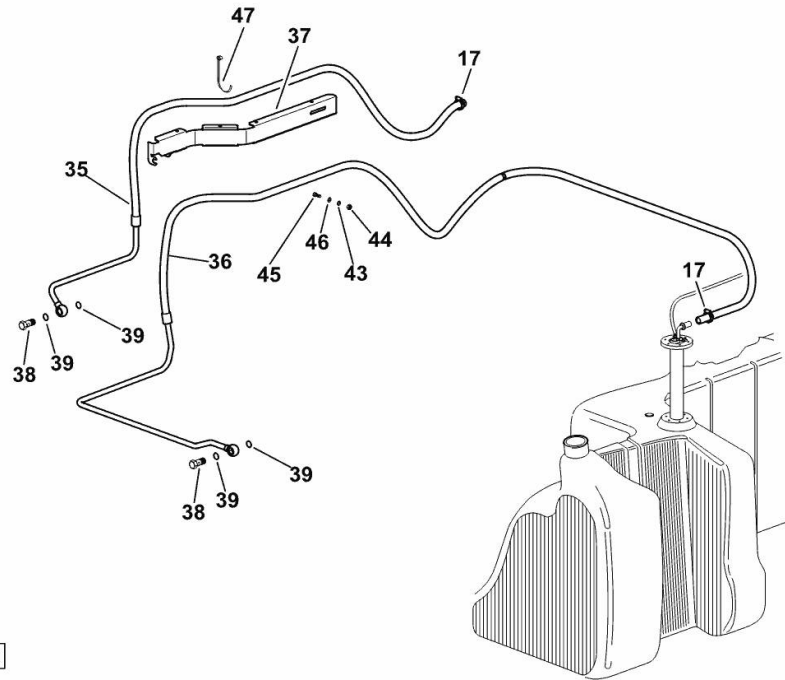
1.1	0.013.4321.4/40	1	fuel tank sx/lh/li
1.1.2	0.013.1876.4/10	1	plug
1.1.3	0.013.4153.3/20	1	tube
1.1.4	0.011.5133.0	1	plug m 12
1.1.5	2.1530.056.0	1	oil seal 21.82 x 3.53
1.1.6	0.013.4749.4	1	small chain
1.2	0.011.3532.4/10	1	fuel tank dx/rh/re
1.2.2	0.011.5133.0	1	plug m 12
1.2.3	2.1530.056.0	1	oil seal 21.82 x 3.53
1.25	2.7059.835.0	1	float
1.26	2.1311.002.2	6	flat washer 4
1.27	2.1011.101.2	6	nut
1.28	2.6851.001.0	1	clamp Ø 16/25
1.30	0.015.4118.3	1	tube
3	0.011.3329.2/30	1	tank support
4	0.011.3331.2	1	fascia
5	0.011.3330.2	1	fascia
6	0.011.3337.0	1	gasket
7	2.0112.617.2	2	screw m 16 p.2x45
8	2.1310.010.2	2	flat washer 17x30
9	2.0112.327.2	1	screw m 10 p.1.5 x 90
10	2.1310.006.2	2	flat washer 10.5x21
11	2.1470.006.2	1	lock washer 10
12	2.1011.106.2	1	nut m 10 p.1.5
13	0.009.2803.0	1	tube
14	2.6851.006.0	2	clamp Ø 50/70
15	2.1699.442.2	2	pin m 8x23.5
16	2.1310.004.2	3	flat washer 8.4x17
17	2.6851.019.0	4	clamp Ø 13/20
18	0.012.6449.0	1.8	tube
19	0.011.0252.2	1	bracket
20	2.0112.207.2	1	screw m 8 p 1.25 x 20
21	2.1470.004.2	1	lock washer 8
22	0.011.3557.0	2	gasket
23	0.011.4878.0/10	1	small guard

**FUEL TANK PIPES**

Fig.	P/n	QTY	Name
------	-----	-----	------

Notes:  
[IRON 210]

17	2.6851.019.0	4	clamp Ø 13/20
35	0.015.4101.3	1	tube
36	0.015.4102.3/10	1	tube
37	0.015.4098.0/10	1	small guard
38	2.3332.005.2	2	pipe fitting m 16 p.1.5
39	2.1560.012.0	4	gasket 16.2 x 22
43	2.1470.002.2	2	lock washer 6
44	2.1011.103.2	2	nut m 6 p.1
45	2.0099.014.0/20	2	screw m 6 x 25
46	2.1310.002.2	2	flat washer 6.4x12.5
47	2.6852.203.0	4	clamp 292 x 4.8

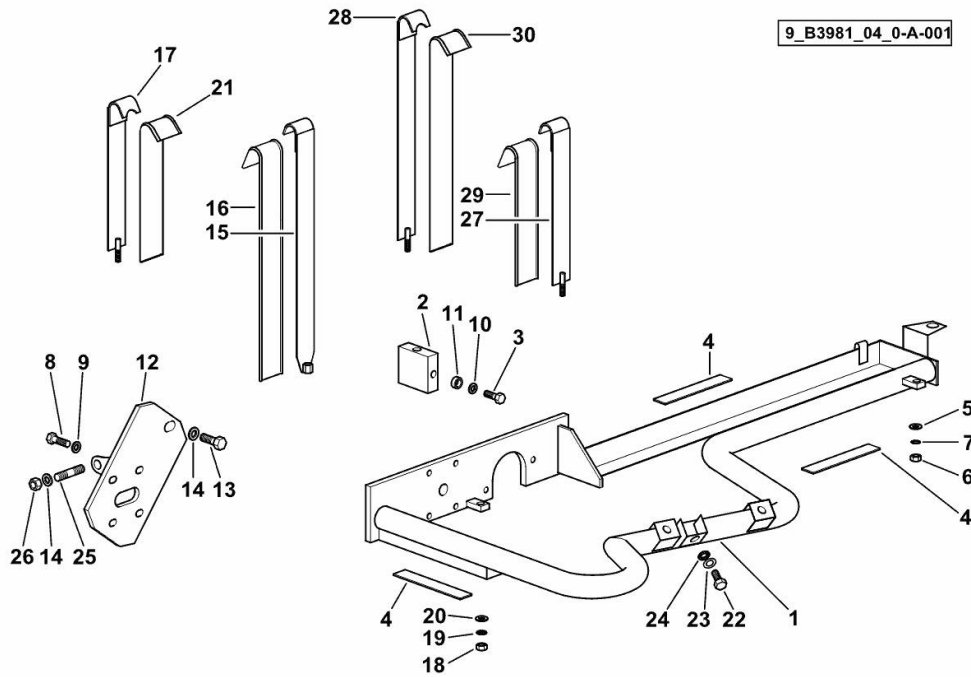


9\_J2381\_05\_0-B-001

**TANK SUPPORTS**

Fig.	P/n	QTY	Name
------	-----	-----	------

Notes:  
[IRON 210]



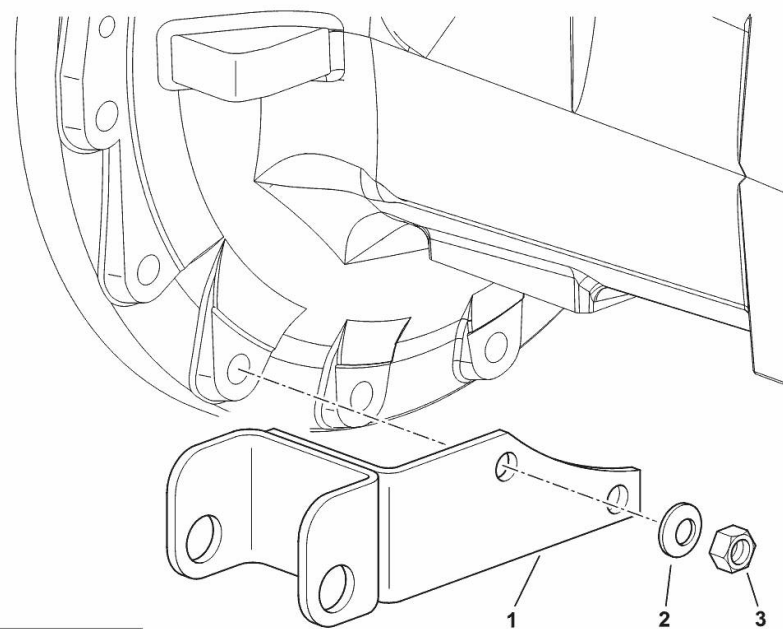
1	0.011.2639.3/40	1	tank support
2	0.010.6975.0/10	1	universal joint
3	2.0112.513.2	4	screw m 14 p.2 x 35
4	0.009.3109.0	22	shim
5	2.1310.006.2	2	flat washer 10.5x21
6	2.1011.106.2	2	nut m 10 p.1.5
7	2.1470.006.2	2	lock washer 10
8	2.0112.415.2	4	screw m 12 p.1.75 x 40
9	2.1475.004.2	4	spring washer 12
10	2.1475.005.2	4	washer 14
11	2.1579.704.2/10	4	spacer 16.1x24x9
12	0.011.2677.2/40	1	bracket
13	2.0112.613.2	1	screw m 16 p.2x35
14	2.1310.010.2	4	flat washer 17x30
15	0.011.0528.2	1	fascia
16	0.011.2746.0	1	gasket
17	0.011.0523.2	1	fascia
18	2.1011.106.2	1	nut m 10 p.1.5
19	2.1470.006.2	1	lock washer 10
20	2.1310.006.2	1	flat washer 10.5x21
21	0.011.2745.0	1	gasket
22	2.0112.319.2	1	screw m 10 p.1.5 x 50
23	2.1310.006.2	1	flat washer 10.5x21
24	2.1470.006.2	1	lock washer 10
25	2.0422.603.2	3	stud bolt m 16 p.2x20
26	2.1011.209.2	3	nut m 16 p.2
27	0.011.8181.2	1	fascia
28	0.011.9131.2	1	fascia
29	0.011.8184.0	1	gasket
30	0.011.8185.0	1	gasket

**TANK MOUNTING BRACKET**

Fig.	P/n	QTY	Name
------	-----	-----	------

Notes:  
[IRON 210]

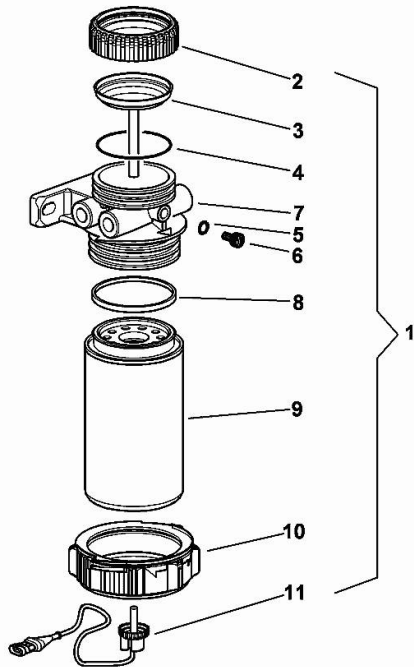
1	0.011.2633.2/10	1	bracket
2	2.1475.005.7	2	washer 14
3	2.1011.408.2	2	nut m 14 p.1.5



9\_11381\_06\_0-A-001

**PRE-FILTER - COMPONENTS**

Fig.	P/n	QTY	Name
1	2.4319.300.0	1	precleaner 2, 3, 4, 5, 6, 7, 8, 9, 10, 11
2	0.900.0863.8	1	crown wheel
3	0.000.0000.1	1	cannot be supplied
4	0.900.0863.9	1	rubber ring
5	0.900.0789.8	1	ring
6	0.900.0864.3	1	screw
7	0.000.0000.1	1	cannot be supplied
8	0.900.0864.0	1	dust guard
9	0.900.0511.9	1	fuel filter element
10	0.900.0864.1	1	closure
11	0.900.0864.2	1	sensor



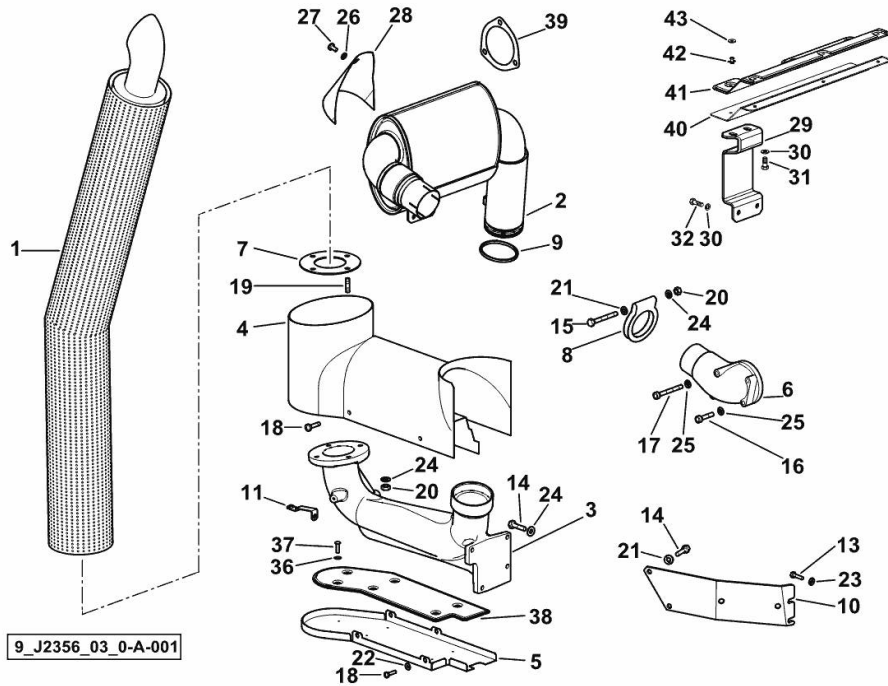
2\_4319\_300\_0

**EXHAUST SILENCER**

Fig.	P/n	QTY	Name
------	-----	-----	------

Notes:  
[IRON 210]

1	0.011.8376.4/20	1	exhaust pipe
2	0.014.8454.4	1	silencer
3	0.013.1240.0/20	1	exhaust manifold
4	0.015.3003.4	1	guard
5	0.013.1819.0/40	1	guard
6	0.013.1174.0	1	manifold
7	0.011.4901.0	1	gasket
8	0.013.2485.0	1	clamp
9	0.011.4890.0	1	circlip
10	0.011.8217.0/40	1	bracket
11	0.013.1808.3/20	1	bracket
13	2.0112.209.2	2	screw m 8 p 1.25 x 25
14	2.0112.313.2	6	screw m 10 p.1.5 x 35
15	2.0112.327.2	1	screw m 10 p.1.5 x 90
16	2.0312.317.2	2	screw m 10 x 55
17	2.0169.018.2	2	screw m 10 p.1.5x105
18	2.0112.003.2	7	screw m 6 p.1 x 12
19	2.0422.309.2	4	stud bolt m 10 x 35
20	2.1011.106.2	5	nut m 10 p.1.5
21	2.1310.006.2	8	flat washer 10.5x21
22	2.1312.003.2	7	washer 6
23	2.1475.002.2	4	conical washer 8
24	2.1475.003.2	9	washer 10
25	2.1480.015.2	4	washer 10
26	2.1312.004.2	2	washer 8x24x2
27	2.0112.204.2	2	screw m 8 p.1.25x14
28	0.013.3146.0/10	1	guard
29	0.014.9908.0	1	support
30	2.1310.004.2	2	flat washer 8.4x17
31	2.0112.309.2	2	screw m 10 p.1.5 x 25
32	2.0112.206.2	2	screw m 8 p.1.25 x 18
36	2.1312.001.2	6	washer 4
37	2.1855.110.0	6	rivet 4.2
38	0.013.4553.0	1	insulator
39	0.013.5488.0	1	gasket
40	0.015.1460.2	1	bracket
41	0.015.1461.0	1	shield
42	2.1851.005.0	6	rivet 4.8
43	2.1312.002.2	6	washer 5

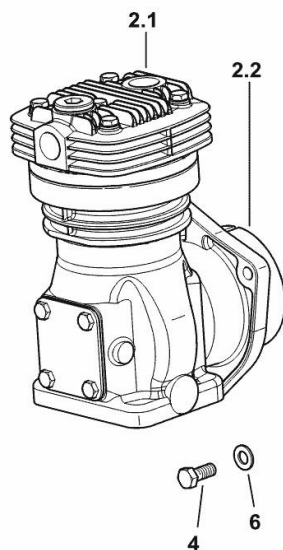


**AIR COMPRESSOR**

Fig.	P/n	QTY	Name
------	-----	-----	------

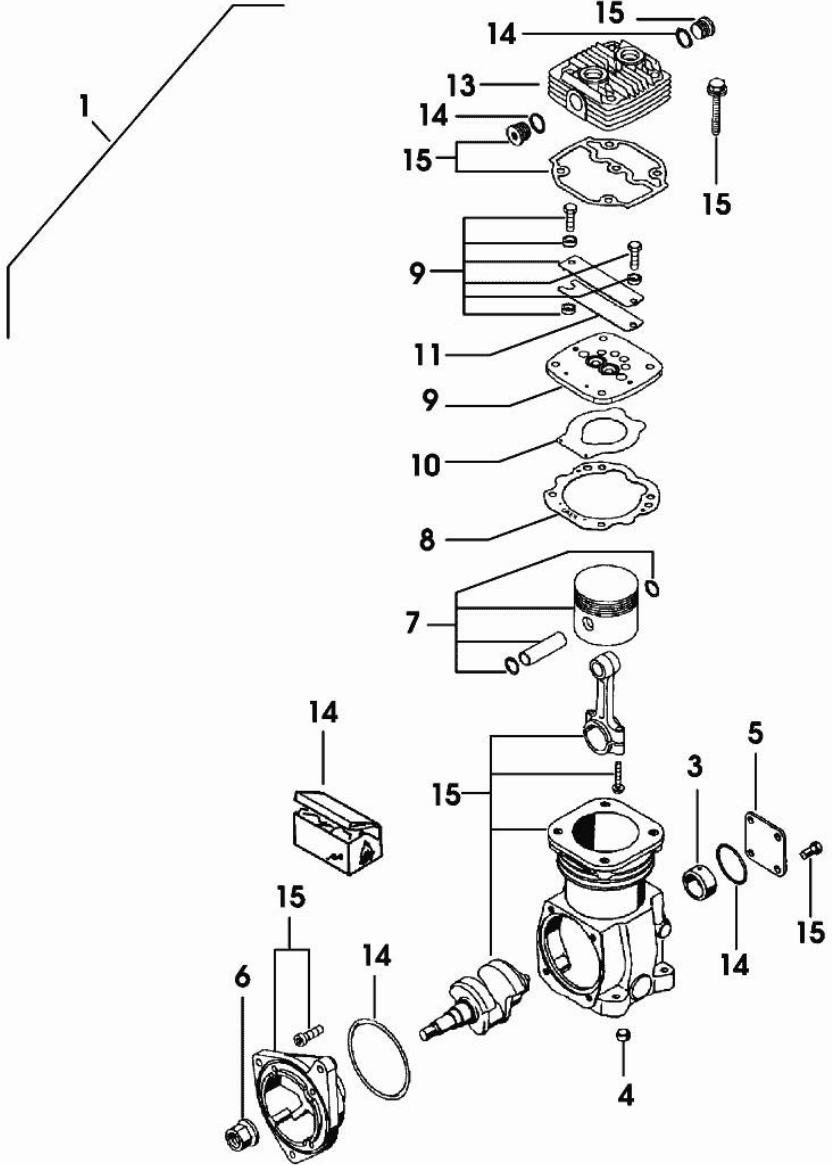
Notes:  
[IRON 210]

2.1	04428408.4	1	air compressor 229 cm <sup>3</sup> ☞ 04428408.4
2.2	04295536	1	gear Z = 43
4	2.0112.309.2	3	screw m 10 p.1.5 x 25
6	2.1475.003.2	3	washer 10



9\_N9719\_40\_0-A-001

COMPRESSOR-PARTS



0442\_6744\_4

Fig.	P/n	QTY	Name
1	04428408.4	1	air compressor 229 cm <sup>3</sup>
3	04436267	1	bushing
4	01151194	2	cover
5	04436268	1	cover
6	04436276	1	nut
7	04436269	1	piston
8	04436270	1	gasket
9	04436271	1	valve
10	04436272	1	thin plate
11	04436273	1	thin plate
13	04436275	1	cover
14	04436277	1	sub-assy parts
15	0.000.0000.1		cannot be supplied



**Suggest:**

**For more complete manuals. Please go to the home page.**

**<https://www.ebooklibonline.com>**

**If the above button click is invalid. Please download this document first, and then click the above link to download the complete manual.**

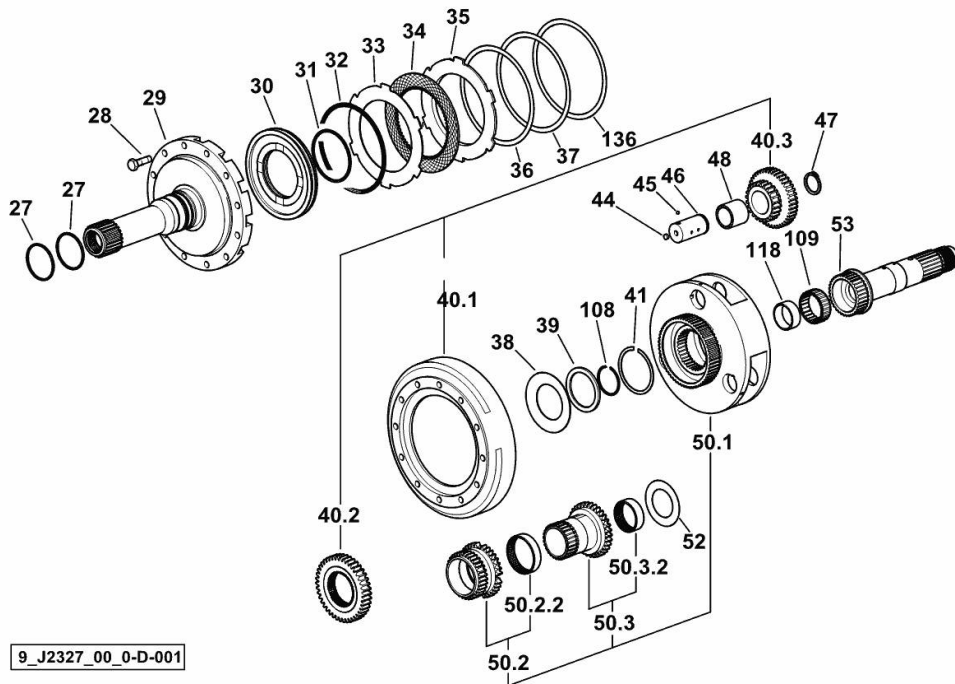
**Thank you so much for reading**

**H-M-L UNIT**

Fig.	P/n	QTY	Name
------	-----	-----	------

Notes:  
[IRON 210]

27	2.1499.108.7	2	ring 57.70x62x2.15
28	2.0132.209.2	12	screw m 10 p.1.25 x 35
29	0.011.5857.3	1	container
30	0.008.4542.0/60	1	piston
31	2.1539.113.0	1	oil seal 82.14 x 3.53
32	2.1539.114.0	1	oil seal 142.24x5.33
33	0.008.5203.0/20	3	clutch plate mm 2.10
34	0.007.7499.2	3	clutch plate mm 3.50
35	0.008.4567.0/10	1	disc mm 4 - mm 9
36	2.1589.223.0	2	shoulder ring 154x170x0.5
37	2.1589.222.0	3	shoulder ring 154x170x0.2
38	2.4099.068.1	1	spring 60.8x102
39	2.1549.084.0	1	spacer 60x75x3
40.1	0.008.4552.0/10	1	crown wheel
40.2	0.008.4548.0/20	1	gear
40.3	0.011.8735.3	1	planet gear n. 3
41	2.1422.041.7	1	circlip 70x1.5
44	2.3171.002.4	3	plug 8
45	2.2819.003.0	3	ball 4.5
46	0.011.8733.0/10	3	pin mm 25x60.2
47	2.1410.010.2	3	circlip 25
48	2.2999.427.0	3	roller bearing 25X41
50.1	0.011.8732.0	1	spider
50.2	0.008.4549.3/20	1	gear
50.2.2	2.1559.268.0/10	1	special bushing
50.3	0.008.4554.3/20	1	small shaft
50.3.2	2.1559.269.0/10	1	special bushing
52	2.1599.608.0	1	shoulder ring 48.2x78x4
53	0.008.5262.0/60	1	shaft
108	2.1422.037.7	1	circlip 60x1.5
109	2.2999.261.0	1	roller cage 45x55x20
118	2.1559.299.0	1	special bushing 40x45x17
136	2.1589.503.0	2	ring 154x170x0.15



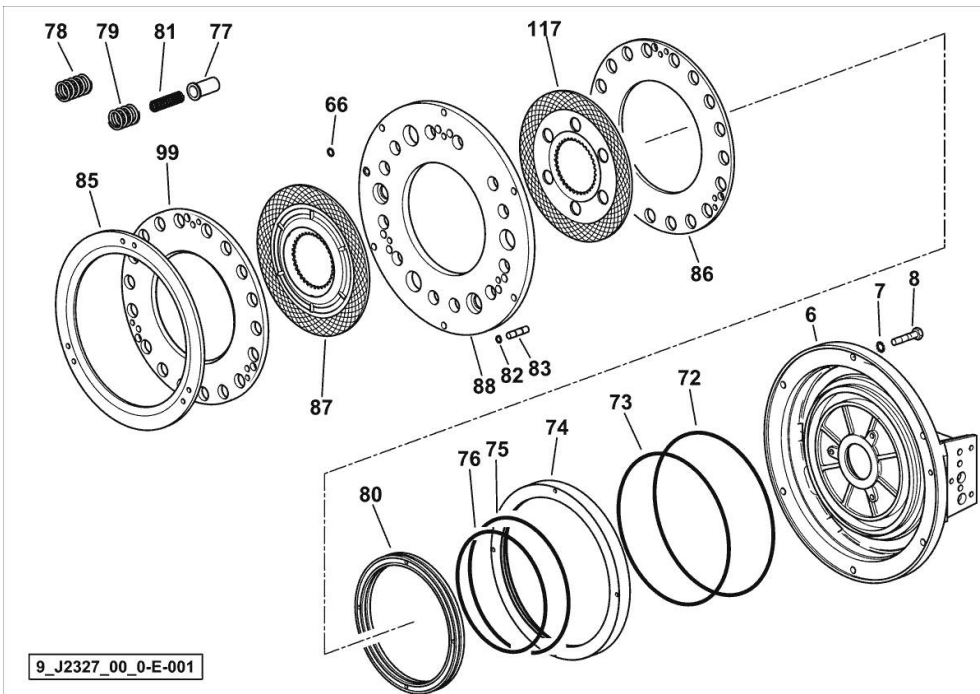
9\_J2327\_00\_0-D-001

**H-M-L UNIT**

Fig.	P/n	QTY	Name
------	-----	-----	------

Notes:  
[IRON 210]

6	0.008.4546.0/80	1	flange
7	2.1470.006.2	6	lock washer 10
8	2.0112.319.2	6	screw m 10 p.1.5 x 50
66	2.1539.151.0	2	special oil seal 9.19 x 2.62
72	2.1539.117.0	1	oil seal 266.29x3.53
73	2.1539.119.0	1	oil seal 247.24x3.53
74	0.008.4558.0/20	1	piston
75	2.1539.118.0	1	special oil seal Ø 221.84 x 3.53
76	2.1539.123.0	1	oil seal 196x3.53
77	2.1559.270.0/10	18	special bushing
78	2.4019.465.0	3	spring 25.1x32.5x50
79	2.4019.466.0	3	spring 25.1x32.5x29.5
80	0.008.4545.0/20	1	piston
81	2.4019.788.0	18	spring 18x11x56.5
82	2.1410.001.1	6	circlip 10
83	2.1699.304.0	3	pin 10x8x42
85	0.008.4550.0/20	1	flange
86	0.008.4574.0/20	1	disc
87	0.007.7480.3/20	1	clutch plate
88	0.008.4553.0/30	1	disc
99	0.008.4983.0/50	1	disc
117	0.007.7480.2	1	clutch plate



9\_J2327\_00\_0-E-001

**<https://www.ebooklibonline.com>**

Hello dear friend!

Thank you very much for reading.

Enter the link into your browser.

The full manual is available for immediate download.

**<https://www.ebooklibonline.com>**