

WATER COOLING

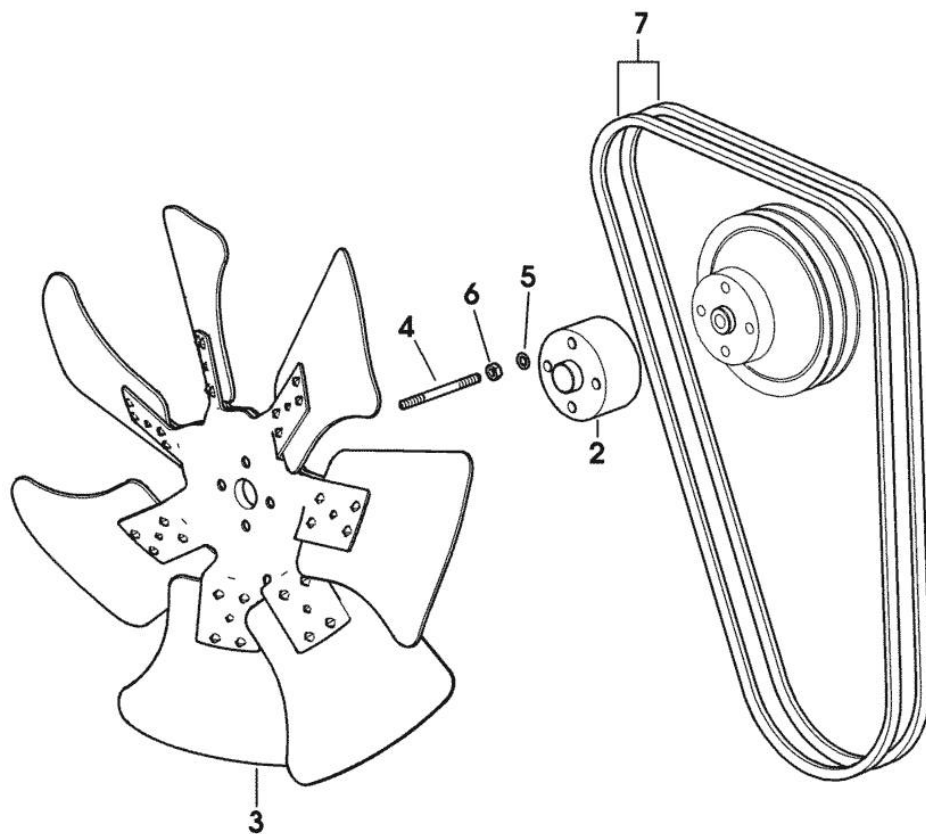


Fig.	P/n	QTY	Name
------	-----	-----	------

Notes:
[IRON 200]

2	0.013.2227.0	1	spacer
3	0.013.2400.4	1	fan
4	2.0432.023.7	4	stud bolt m 8 p. x 90
5	2.1470.004.2	4	lock washer 8
6	2.1011.405.2	4	nut m 8 p.1
7	2.4119.180.0	2	belt AV 12.7x1645 mm

9_M3919_02_0_0

Section: ENGINE

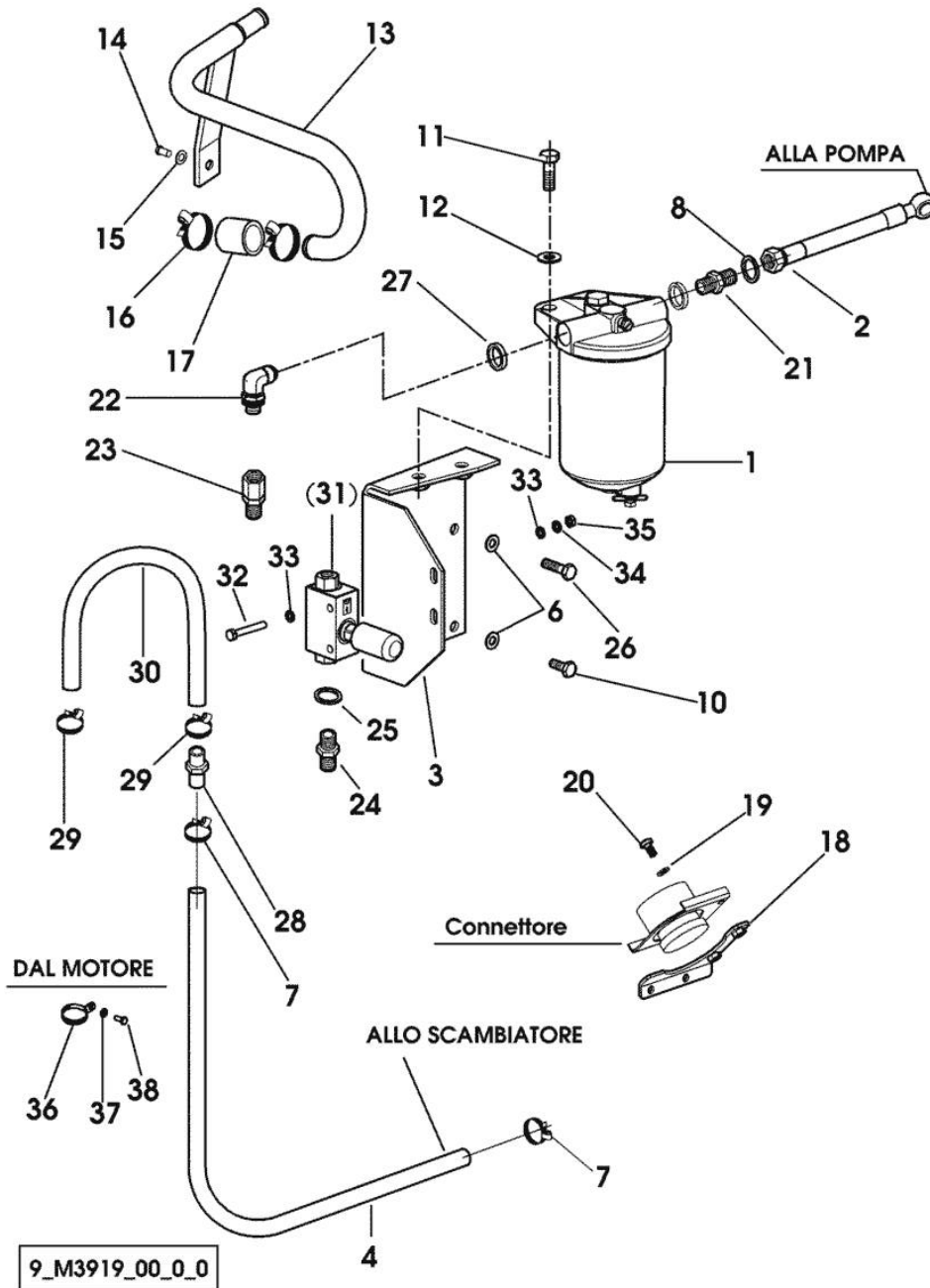
PARTS SET - ENGINE MOUNTING

Fig.	P/n	QTY	Name
Notes:			
[IRON 200]			
1	02111290	1	filter COMPONENT PARTS SEE COMPONENTS LIST ☞ 02111290
2	0.013.2429.3/10	1	tube
3	0.013.4079.3/10	1	bracket
4	0.012.6450.0		tube Ø mm 13/20
6	2.1310.004.2	2	flat washer 8.4x17
7	2.6851.001.0	2	clamp Ø 16/25
8	2.1560.012.0	1	gasket 16.2 x 22
10	2.0112.207.2	1	screw m 8 p 1.25 x 20
11	2.0112.311.2	2	screw m 10 p.1.5 x 30
12	2.1310.006.2	2	flat washer 10.5x21
13	0.013.2405.3	1	tube
14	2.0112.005.2	1	screw m 6 p.1 x 16
15	2.1310.002.3	1	flat washer 6.4 x 12 x 1.6
16	2.6851.002.0	2	clamp Ø 20/32
17	01175630	1	sleeve 22x29x71
18	0.013.3517.3	1	bracket
19	2.1310.002.2	2	flat washer 6.4x12.5
20	2.0332.404.2	2	screw m 6 p.1 x 12
21	2.3249.088.2	1	pipe fitting M16x1,5-7/8" 14 JIC
22	2.3249.101.2	1	pipe fitting m 16 p1.5
23	2.3339.877.2	1	pipe fitting m 18 p.1.5 3/4" - 16 JIC
24	2.3261.010.2	1	pipe fitting m 18 p.1.5 - 7/8" 14
25	2.1560.014.0	1	washer 18.2 x 24
26	2.0112.211.2	1	screw m 8 p.1.25 x 30
27	2.1569.154.0	1	gasket 16.2x22x6
28	2.3249.512.2	1	pipe fitting
29	2.6851.001.0	2	clamp Ø 16/25
30	0.012.6449.0		tube
31	0.013.4244.4	1	pump 1144 <- X IRON 200
32	2.0112.017.2	2	screw m 6 p.1x45
33	2.1310.002.2	4	flat washer 6.4x12.5
34	2.1470.002.2	2	lock washer 6
35	2.1011.103.2	2	nut m 6 p.1
36	2.6839.051.0	1	clamp 20/20
37	2.1470.004.2	1	lock washer 8
38	2.0112.204.2	1	screw m 8 p.1.25x14

Section: ENGINE

INTERCOOLER

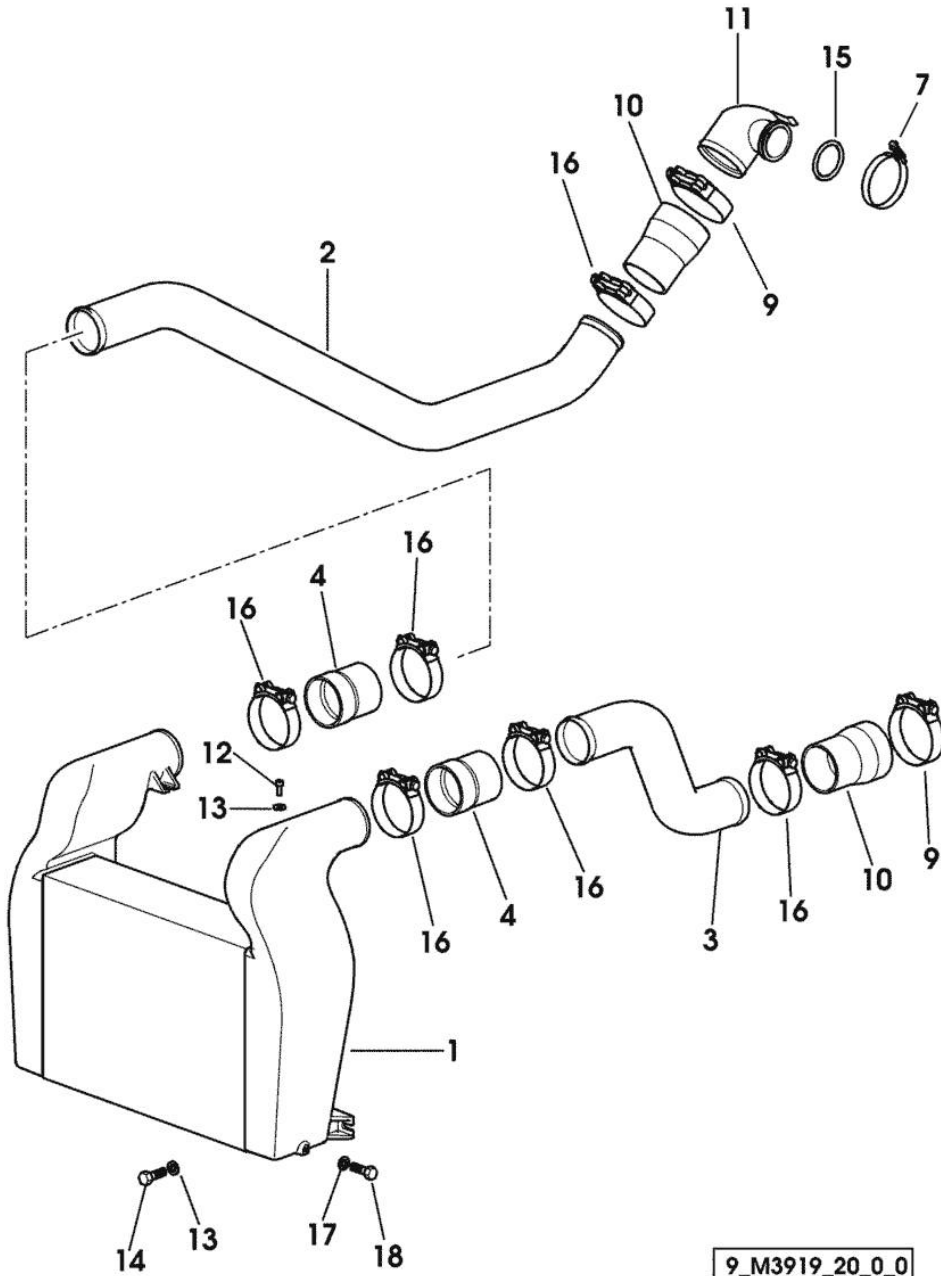


Fig.	P/n	QTY	Name
------	-----	-----	------

Notes:
[IRON 200]

1	0.013.3592.2/10	1	radiator
2	0.013.3799.0	1	tube
3	0.013.1167.0/10	1	tube
4	0.013.1413.0	2	sleeve
7	2.6851.008.0	1	clamp Ø 70/90
9	2.6859.110.0	2	clamp
10	0.013.1414.0	2	sleeve
11	04209073	1	sleeve
12	2.0312.104.2	2	screw m 6 p.1 x 16
13	2.1312.003.2	4	washer 6
14	2.0112.004.2	2	screw m 6 p.1 x 14
15	01180295	1	gasket
16	2.6859.111.0	6	clamp Ø 80-85
17	2.1310.002.2	2	flat washer 6.4x12.5
18	2.0112.003.2	2	screw m 6 p.1 x 12

9_M3919_20_0_0

<https://www.ebooklibonline.com>

Hello dear friend!

Thank you very much for reading.

Enter the link into your browser.

The full manual is available for immediate download.

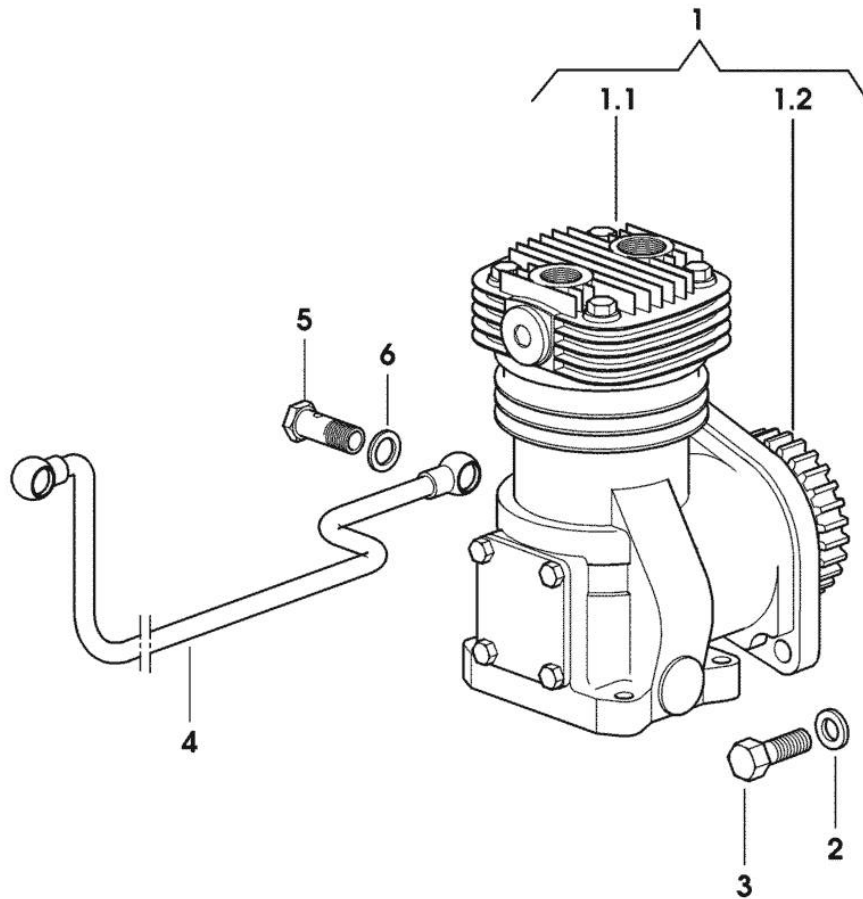
<https://www.ebooklibonline.com>

Section: ENGINE
AIR COMPRESSOR

Fig.	P/n	QTY	Name
------	-----	-----	------

Notes:
 [IRON 200]

1	0.000.0000.1		cannot be supplied
1.1	04428408.4	1	air compressor 229 cm ³ COMPONENT PARTS SEE COMPONENTS LIST ☞ 04428408.4
1.2	04255095.4	1	gear
2	2.1475.003.2	2	washer 10
3	2.0112.309.2	2	screw m 10 p.1.5 x 25
4	04414757	1	pipng
5	01119237	2	pipe union
6	01178939	2	oil seal

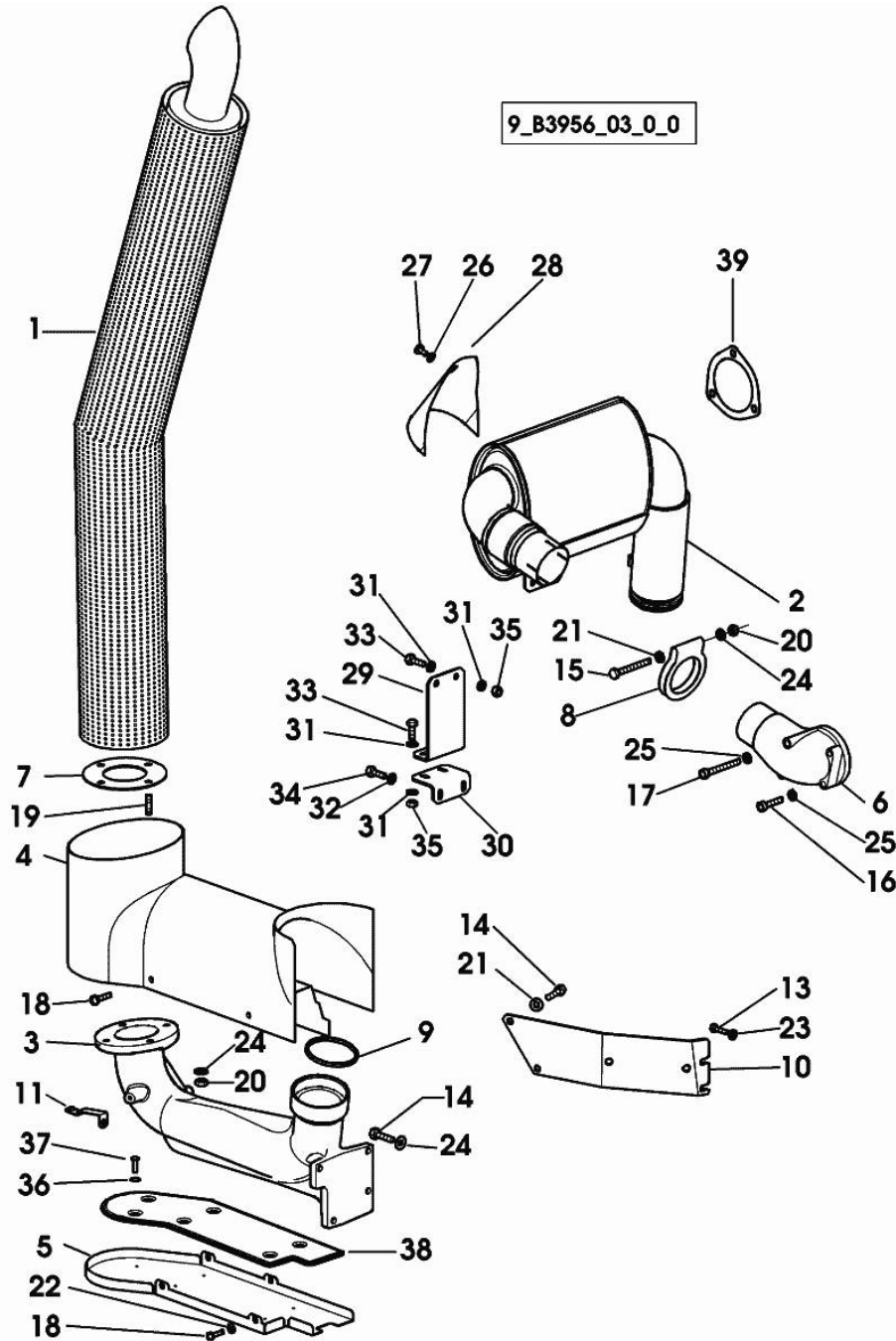


Section: ENGINE
EXHAUST SILENCER

Fig.	P/n	QTY	Name
------	-----	-----	------

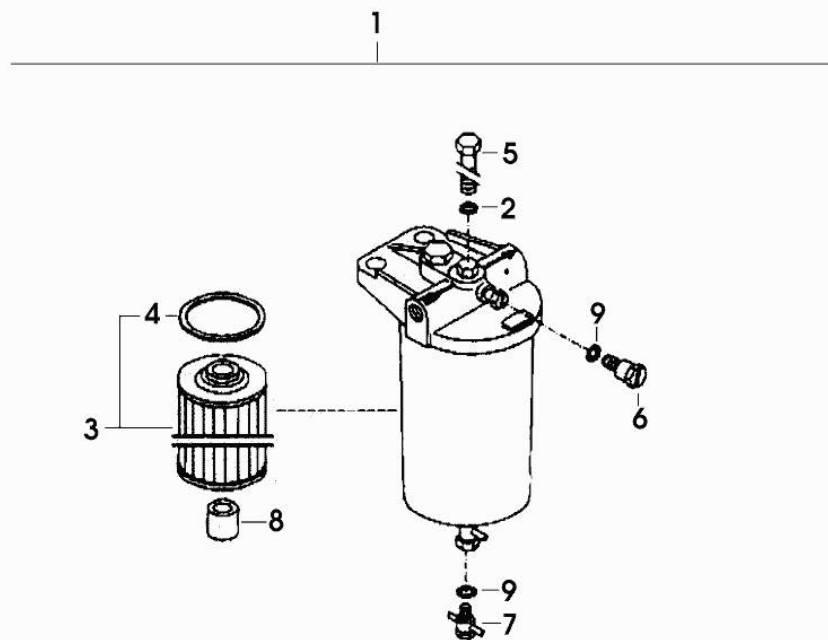
Notes:
 [IRON 200]

1	0.011.8376.4/20	1	exhaust pipe
2	0.013.1490.4/30	1	silencer
3	0.013.1240.0/20	1	exhaust manifold
4	0.013.1818.4/50	1	guard
5	0.013.1819.0/40	1	guard
6	0.013.1174.0	1	manifold
7	0.011.4901.0	1	gasket
8	0.013.2485.0	1	clamp
9	0.011.4890.0	1	circlip
10	0.011.8217.0/40	1	bracket
11	0.013.1808.3/20	1	bracket
13	2.0112.209.2	2	screw m 8 p 1.25 x 25
14	2.0112.313.2	6	screw m 10 p.1.5 x 35
15	2.0112.327.2	1	screw m 10 p.1.5 x 90
16	2.0312.317.2	2	screw m 10 x 55
17	2.0169.018.2	2	screw m 10 p.1.5x105
18	2.0112.003.2	7	screw m 6 p.1 x 12
19	2.0422.309.2	4	stud bolt m 10 x 35
20	2.1011.106.2	4	nut m 10 p.1.5
21	2.1310.006.2	6	flat washer 10.5x21
22	2.1312.003.2	7	washer 6
23	2.1475.002.2	4	conical washer 8
24	2.1475.003.2	9	washer 10
25	2.1480.015.2	4	washer 10
26	2.1312.004.2	2	washer 8x24x2
27	2.0112.204.2	2	screw m 8 p.1.25x14
28	0.013.3146.0/10	1	guard
29	0.013.4440.2/10	1	bracket
30	0.013.4437.0	1	bracket
31	2.1310.006.2	8	flat washer 10.5x21
32	2.1310.004.2	2	flat washer 8.4x17
33	2.0112.309.2	4	screw m 10 p.1.5 x 25
34	2.0112.206.2	2	screw m 8 p.1.25 x 18
35	2.1011.106.2	4	nut m 10 p.1.5
36	2.1312.001.2	6	washer 4
37	2.1855.110.0	6	rivet 4.2
38	0.013.4553.0	1	insulator
39	0.013.5488.0	1	gasket



FUEL FILTER

Fig.	P/n	QTY	Name
1	02111290	1	filter
2	01118647	1	oil seal 8x11,5 d7603
3	01319869	1	insert
4	01263156	1	gasket
5	01111193	1	screw m 8 p.1.25 x 80
6	01262518	1	screw
7	01318112	1	screw
8	01319821	1	bush
9	01118641	2	ring a 6x10 d7603

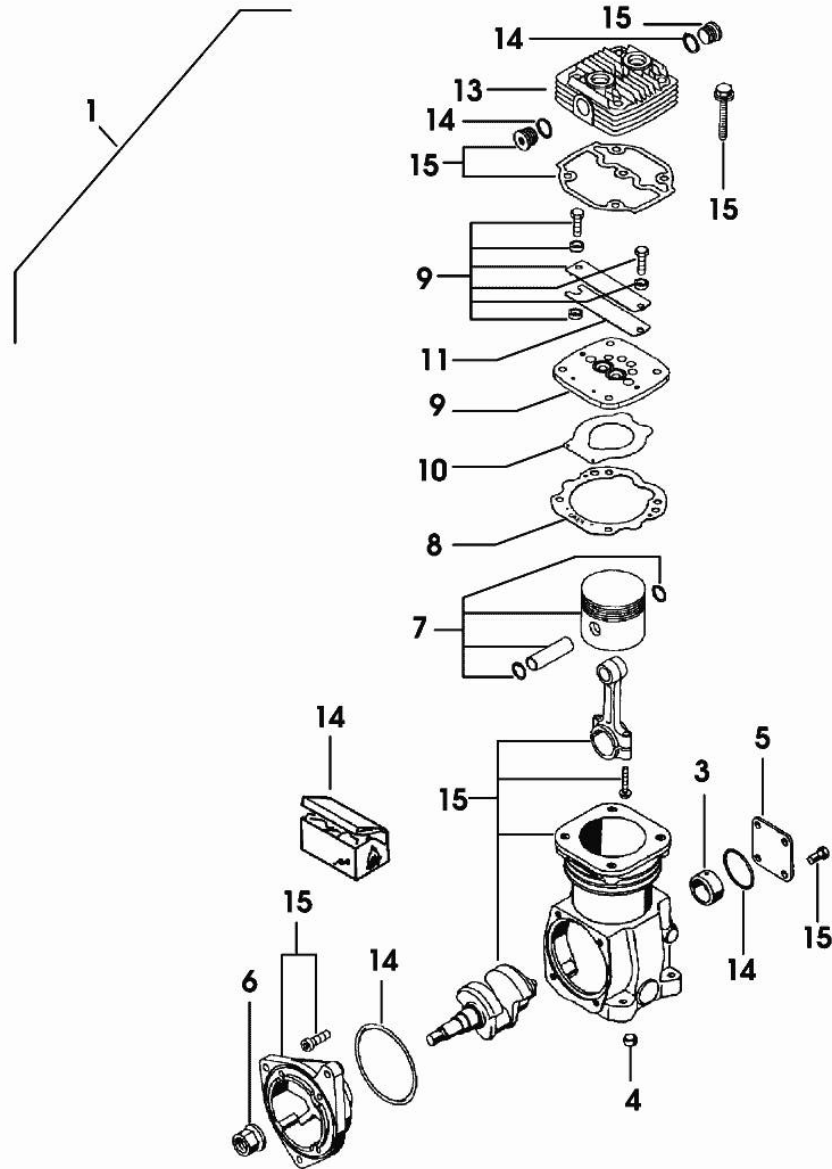


02111290

Section: ENGINE

COMPRESSOR-PARTS

Fig.	P/n	QTY	Name
1	04428408.4	1	air compressor 229 cm ³
3	04436267	1	bushing
4	01151194	2	cover
5	04436268	1	cover
6	04436276	1	nut
7	04436269	1	piston
8	04436270	1	gasket
9	04436271	1	valve
10	04436272	1	thin plate
11	04436273	1	thin plate
13	04436275	1	cover
14	04436277	1	sub-assy parts
15	0.000.0000.1		cannot be supplied



0442_6744_4

PLUG

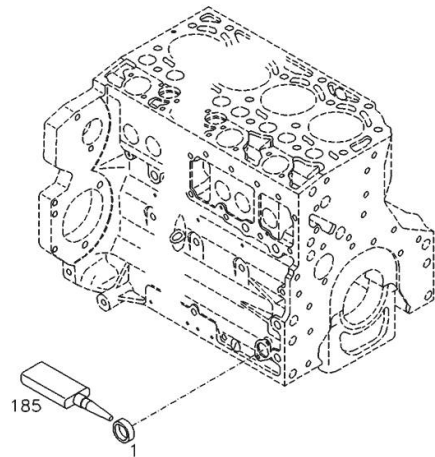
Fig.	P/n	QTY	Name
------	-----	-----	------

Notes:
[IRON 200]

Engine serial number:

850279 850280 850281 850282 850283 850284 875562 875563 875564 875565 875566 875567 875568 875569 875570
 875571 875572 889285 889286 889287 889288 911940 911941 911942 911943 911944 911945 911946 911947 911948
 911949 911950 911951 911952 911953 911954 920320 922853 922854 922855 922856 922857 922858 922859 922860
 932114 932115 932116 932117 932118 932119 932120 932121 932122 932123 935345 935346 935347 935348 935349
 945917 945918 945919 945920 945921 945922 945923 945924 945925 945926 946370 946371 946372 946373 946374
 946375 946376 946377 946378 946379 950469 950470 950471 950472 950473 950474 950475 950476 950477 950478
 974678 974679 974680 974681 974682 974683 974684 974685 974686 974687

1	01179634	1	plug H 2860 -A36-ST-FE/ZNPHR
185	01016127	1	sealing compound ml. 50 H 0699 -DEUTZDW72-50ML



001

FASTENINGS

Fig.	P/n	QTY	Name
------	-----	-----	------

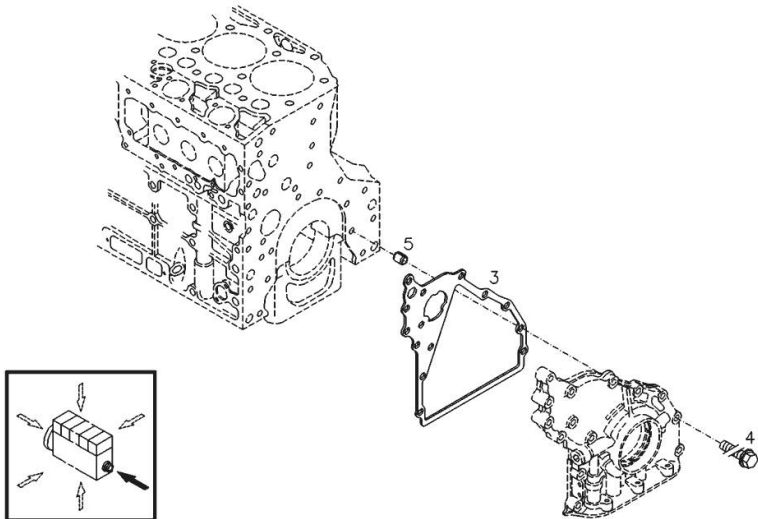
Notes:
[IRON 200]

Engine serial number:

850279 850280 850281 850282 850283 850284 875562 875563 875564 875565 875566 875567 875568 875569 875570
875571 875572 889285 889286 889287 889288 911940 911941 911942 911943 911944 911945 911946 911947 911948
911949 911950 911951 911952 911953 911954 920320 922853 922854 922855 922856 922857 922858 922859 922860
932114 932115 932116 932117 932118 932119 932120 932121 932122 932123 935345 935346 935347 935348 935349
945917 945918 945919 945920 945921 945922 945923 945924 945925 945926 946370 946371 946372 946373 946374
946375 946376 946377 946378 946379 950469 950470 950471 950472 950473 950474 950475 950476 950477 950478
974678 974679 974680 974681 974682 974683 974684 974685 974686 974687

001

3	04204450	1	gasket
4	01143362	14	screw EN 1662 -F-M8X35-10.9-A4C
5	01181406	1	bushing H 2341 -B11X8-FE/ZN12C*



0507 0361

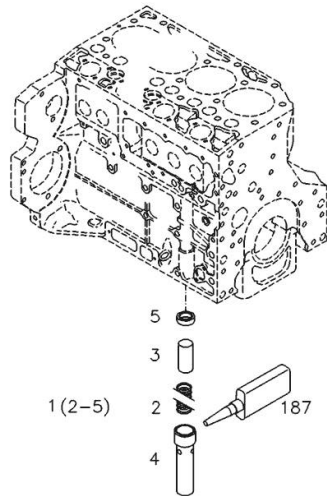
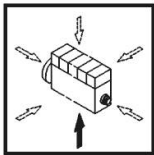
OIL PRESSUR.SWITCH

Fig.	P/n	QTY	Name
------	-----	-----	------

Notes:
[IRON 200]

Engine serial number:

850279 850280 850281 850282 850283 850284 875562 875563 875564 875565 875566 875567 875568 875569 875570
875571 875572 889285 889286 889287 889288 911940 911941 911942 911943 911944 911945 911946 911947 911948
911949 911950 911951 911952 911953 911954 920320 922853 922854 922855 922856 922857 922858 922859 922860
932114 932115 932116 932117 932118 932119 932120 932121 932122 932123 935345 935346 935347 935348 935349
945917 945918 945919 945920 945921 945922 945923 945924 945925 945926 946370 946371 946372 946373 946374
946375 946376 946377 946378 946379 950469 950470 950471 950472 950473 950474 950475 950476 950477 950478
974678 974679 974680 974681 974682 974683 974684 974685 974686 974687



002 ©

1	04207119	1	valve WITH ITEM (2-5)
2	04200782	1	spring
3	04207120	1	piston
4	04207121	1	spacer
5	04201794	1	ring
187	01016123	1	small plate H 0699 -DEUTZDW71-50ML

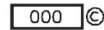
FILLER CAP

Fig.	P/n	QTY	Name
------	-----	-----	------

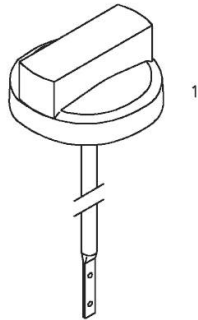
Notes:
[IRON 200]

Engine serial number:

850279 850280 850281 850282 850283 850284 875562 875563 875564 875565 875566 875567 875568 875569 875570
 875571 875572 889285 889286 889287 889288 911940 911941 911942 911943 911944 911945 911946 911947 911948
 911949 911950 911951 911952 911953 911954 920320 922853 922854 922855 922856 922857 922858 922859 922860
 932114 932115 932116 932117 932118 932119 932120 932121 932122 932123 935345 935346 935347 935348 935349
 945917 945918 945919 945920 945921 945922 945923 945924 945925 945926 946370 946371 946372 946373 946374
 946375 946376 946377 946378 946379 950469 950470 950471 950472 950473 950474 950475 950476 950477 950478
 974678 974679 974680 974681 974682 974683 974684 974685 974686 974687



1	01180286	1	plug H 2875 -B2-OL40-166X4-130X12
---	----------	---	--------------------------------------



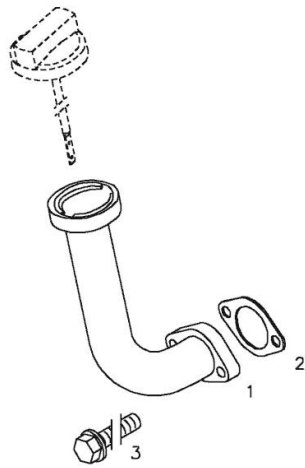
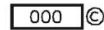
OIL FILLER NECK

Fig.	P/n	QTY	Name
------	-----	-----	------

Notes:
[IRON 200]

Engine serial number:

850279 850280 850281 850282 850283 850284 875562 875563 875564 875565 875566 875567 875568 875569 875570
875571 875572 889285 889286 889287 889288 911940 911941 911942 911943 911944 911945 911946 911947 911948
911949 911950 911951 911952 911953 911954 920320 922853 922854 922855 922856 922857 922858 922859 922860
932114 932115 932116 932117 932118 932119 932120 932121 932122 932123 935345 935346 935347 935348 935349
946370 946371 946372 946373 946374 946375 946376 946377 946378 946379 950469 950470 950471 950472 950473
950474 950475 950476 950477 950478 974678 974679 974680 974681 974682 974683 974684 974685 974686 974687



1	04207099	1	tube
2	01178421	1	gasket
3	01181433	2	screw

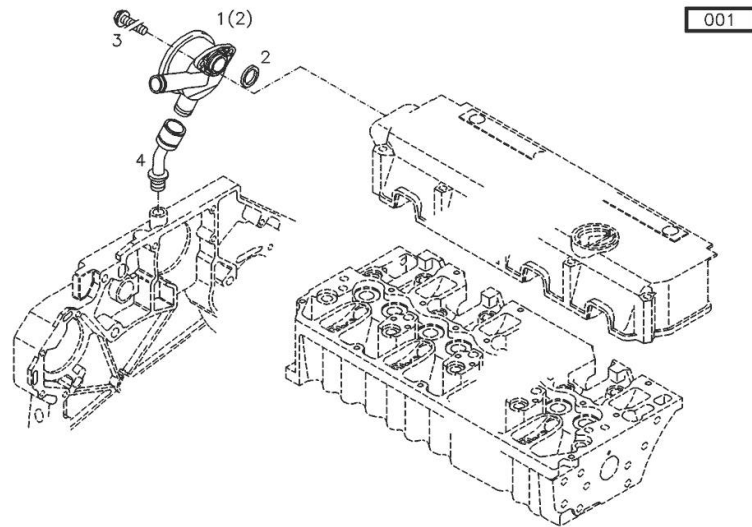
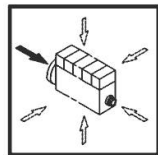
CRANKCASE BREATHER

Fig.	P/n	QTY	Name
------	-----	-----	------

Notes:
[IRON 200]

Engine serial number:

850279 850280 850281 850282 850283 850284 875562 875563 875564 875565 875566 875567 875568 875569 875570
875571 875572 889285 889286 889287 889288 911940 911941 911942 911943 911944 911945 911946 911947 911948
911949 911950 911951 911952 911953 911954 920320 922853 922854 922855 922856 922857 922858 922859 922860
932114 932115 932116 932117 932118 932119 932120 932121 932122 932123 935345 935346 935347 935348 935349
945917 945918 945919 945920 945921 945922 945923 945924 945925 945926 946370 946371 946372 946373 946374
946375 946376 946377 946378 946379 950469 950470 950471 950472 950473 950474 950475 950476 950477 950478
974678 974679 974680 974681 974682 974683 974684 974685 974686 974687



1	04207651	1	valve WITH ITEM (2)
2	04207649	1	ring
3	01180218	2	screw EN 1662 -F-M6X20-10.9-GESCHW
4	04207290	1	pipng



Suggest:

For more complete manuals. Please go to the home page.

<https://www.ebooklibonline.com>

If the above button click is invalid. Please download this document first, and then click the above link to download the complete manual.

Thank you so much for reading

BLEEDING TUBE

Fig.	P/n	QTY	Name
------	-----	-----	------

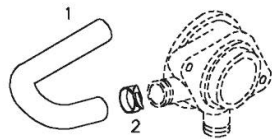
Notes:
[IRON 200]

Engine serial number:

850279 850280 850281 850282 850283 850284 875562 875563 875564 875565 875566 875567 875568 875569 875570
875571 875572 889285 889286 889287 889288

1	04198572	1	tube
2	01178750	3	clamp DIN 003021-A- 29X15

001 ©



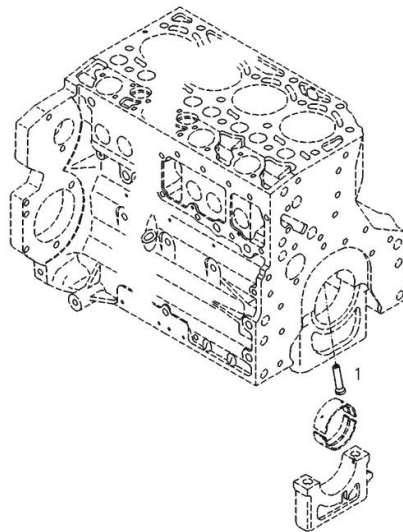
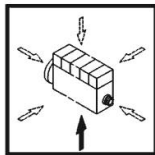
PISTON COOL.NOZZLE

Fig.	P/n	QTY	Name
------	-----	-----	------

Notes:
[IRON 200]

Engine serial number:
850279 850280 850281 850282 850283 850284 875562 875563 875564 875565 875566 875567 875568 875569 875570
875571 875572 889285 889286 889287 889288

1	04207521	1	sprayers
---	----------	---	----------



001 ©

0507 2355

<https://www.ebooklibonline.com>

Hello dear friend!

Thank you very much for reading.

Enter the link into your browser.

The full manual is available for immediate download.

<https://www.ebooklibonline.com>