

Section: ENGINE

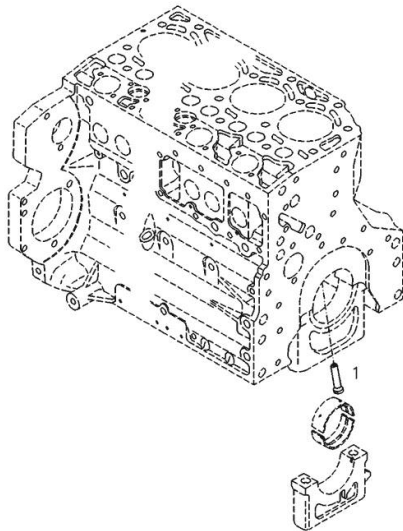
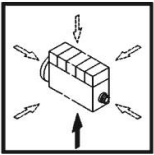
**PISTON COOL.NOZZLE**

Fig.	P/n	QTY	Name
------	-----	-----	------

**Notes:**  
[IRON 190 S]

**Engine serial number:**  
859205 859206 859207 859208 859209 861108 861109 861110 861111 861112 861113 861114 875554 875555 875556  
875557 875558 875559 875560 875561 890218

1	04207521	1	sprayers
---	----------	---	----------



001 ©

0507 2355

Section: ENGINE

**FRONT COVER**

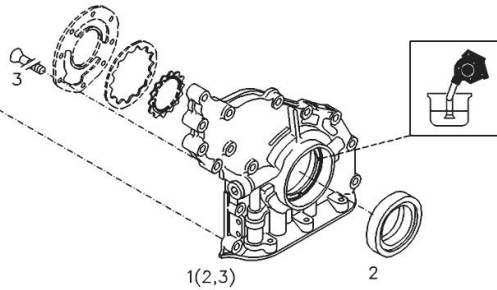
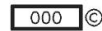
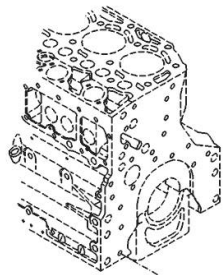
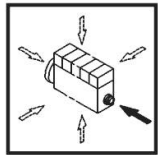
Fig.	P/n	QTY	Name
------	-----	-----	------

**Notes:**  
[IRON 190 S]

**Engine serial number:**

859205 859206 859207 859208 859209 861108 861109 861110 861111 861112 861113 861114 875554 875555 875556  
875557 875558 875559 875560 875561 890218 954488 954489 954490 954491 954492 954493 954494 954495 954496  
954497 974668 974669 974670 974671 974672 974673 974674 974675 974676 974677

1	04259226	1	cover WITH ITEM .... (2,3)
2	04253373	1	oil seal
3	01133718	8	screw DIN 7991 -M6X16-8.8-A4C



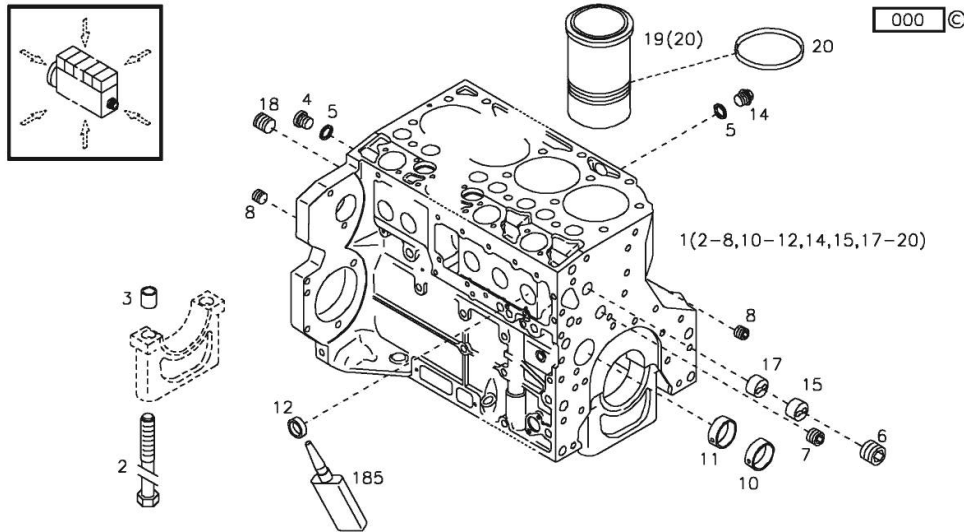
Section: ENGINE  
**CRANKCASE**

Fig.	P/n	QTY	Name
------	-----	-----	------

Notes:  
 [IRON 190 S]

**Engine serial number:**

859205 859206 859207 859208 859209 861108 861109 861110 861111 861112 861113 861114 875554 875555 875556  
 875557 875558 875559 875560 875561 890218 954488 954489 954490 954491 954492 954493 954494 954495 954496  
 954497 974668 974669 974670 974671 974672 974673 974674 974675 974676 974677



1	04282827	1	crankcase WITH ITEM .... (2-8,10-12,14,15,17-20)
2	04251254	14	screw
3	04200078	14	bushing
4	01110423	2	screw
5	01118693	4	gasket 14x20
6	01182033	1	screw
7	01182032	1	screw
8	01182031	2	screw
10	04200021	6	bushing
11	04200022	1	bushing
12	01179635	10	plug
14	01100940	2	screw
15	04202518	1	sleeve
17	04202517	1	sleeve
18	01181155	1	plug
19	04282014	6	cylinder liner WITH ITEM .... (20) 032 (021-025,031,141)
20	01181178	12	special oil seal
185	01016127	1	sealing compound ml. 50

**<https://www.ebooklibonline.com>**

Hello dear friend!

Thank you very much for reading.

Enter the link into your browser.

The full manual is available for immediate download.

**<https://www.ebooklibonline.com>**

Section: ENGINE

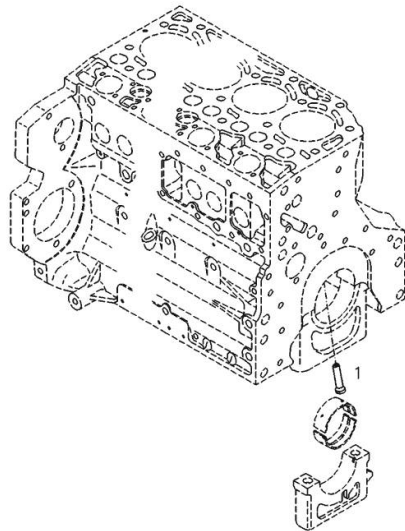
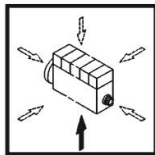
**PISTON COOL.NOZZLE**

Fig.	P/n	QTY	Name
------	-----	-----	------

**Notes:**  
[IRON 190 S]

**Engine serial number:**  
954488 954489 954490 954491 954492 954493 954494 954495 954496 954497 974668 974669 974670 974671 974672  
974673 974674 974675 974676 974677

1	04203930	6	sprayer nozzle
---	----------	---	----------------



001 ©

0507 0470

Section: ENGINE

**BLEEDING TUBE**

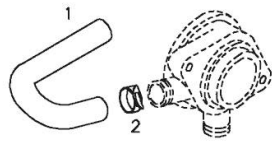
Fig.	P/n	QTY	Name
------	-----	-----	------

**Notes:**  
[IRON 190 S]

**Engine serial number:**  
954488 954489 954490 954491 954492 954493 954494 954495 954496 954497 974668 974669 974670 974671 974672  
974673 974674 974675 974676 974677

1	04198572	1	tube
2	01178750	1	clamp

000 ©



Section: ENGINE

**OIL PAN**

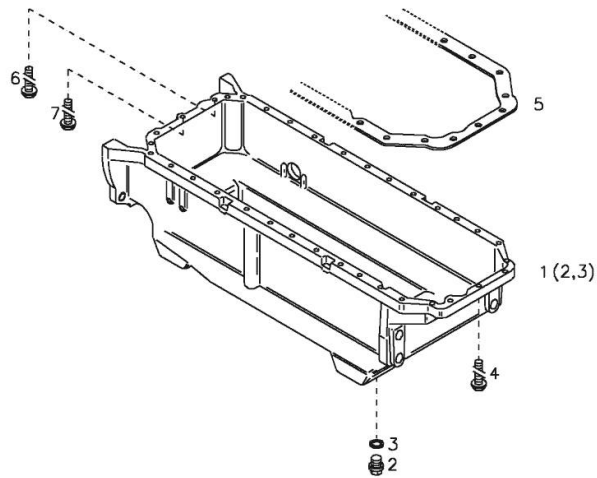
Fig.	P/n	QTY	Name
------	-----	-----	------

Notes:  
[IRON 190 S]

**Engine serial number:**

859205 859206 859207 859208 859209 861108 861109 861110 861111 861112 861113 861114 875554 875555 875556  
875557 875558 875559 875560 875561 890218

1	04253996	1	oil sump WITH ITEM .... (2,3)
2	01123690	1	screw
3	01118718	1	ring 18 x 24
4	01143362	27	screw
5	04201000	1	gasket
6	01143370	6	screw
7	01144463	1	screw
243	01016103	1	gasket



000 ©



Section: ENGINE

**OIL PAN**

Fig.	P/n	QTY	Name
------	-----	-----	------

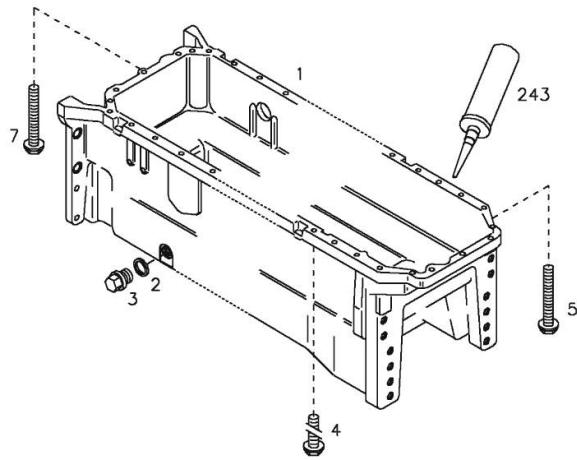
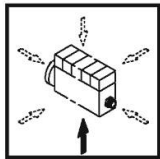
Notes:  
[IRON 190 S]

**Engine serial number:**

954488 954489 954490 954491 954492 954493 954494 954495 954496 954497 974668 974669 974670 974671 974672  
974673 974674 974675 974676 974677

1	04284012	1	oil sump WITH ITEM .... (2,3)
2	01118718	1	ring 18 x 24
3	01133631	1	plug
4	01143362	27	screw
5	01143370	6	screw
7	01144463	1	screw
243	01016103	1	gasket

000 ©



(2,3)

Section: ENGINE

**FASTENINGS**

Fig.	P/n	QTY	Name
------	-----	-----	------

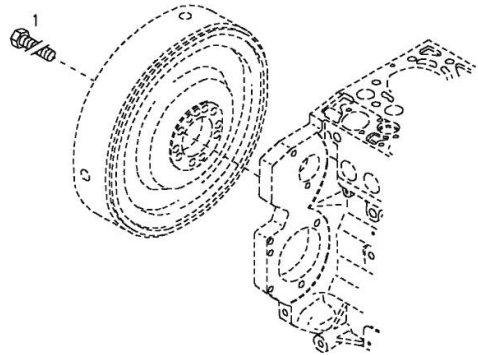
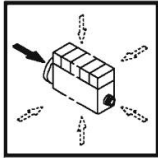
**Notes:**  
[IRON 190 S]

**Engine serial number:**

859205 859206 859207 859208 859209 861108 861109 861110 861111 861112 861113 861114 875554 875555 875556  
875557 875558 875559 875560 875561 890218 954488 954489 954490 954491 954492 954493 954494 954495 954496  
954497 974668 974669 974670 974671 974672 974673 974674 974675 974676 974677

1	04204128	10	screw m 10 p.1x35 M10X1X35
---	----------	----	-------------------------------

001 ©



Section: ENGINE

**FLYWHEEL**

Fig.	P/n	QTY	Name
------	-----	-----	------

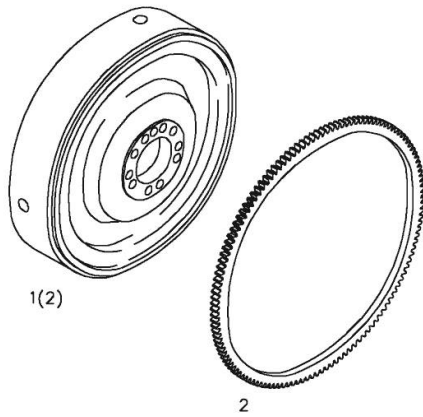
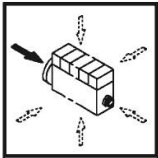
**Notes:**  
[IRON 190 S]

**Engine serial number:**

859205 859206 859207 859208 859209 861108 861109 861110 861111 861112 861113 861114 875554 875555 875556  
875557 875558 875559 875560 875561 890218 954488 954489 954490 954491 954492 954493 954494 954495 954496  
954497 974668 974669 974670 974671 974672 974673 974674 974675 974676 974677

1	04208193	1	flywheel WITH ITEM .... (2)
2	02131081	1	crown wheel

001 ©



Section: ENGINE

**V-GROOVED PULLEY**

Fig.	P/n	QTY	Name
------	-----	-----	------

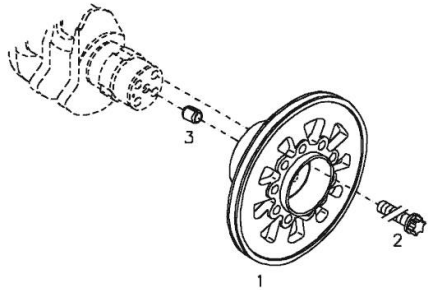
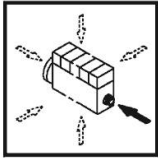
**Notes:**  
[IRON 190 S]

**Engine serial number:**

859205 859206 859207 859208 859209 861108 861109 861110 861111 861112 861113 861114 875554 875555 875556  
875557 875558 875559 875560 875561 890218 954488 954489 954490 954491 954492 954493 954494 954495 954496  
954497 974668 974669 974670 974671 974672 974673 974674 974675 974676 974677

1	04209572	1	pulley
2	01181063	4	screw
3	01181404	1	bush

001 ©



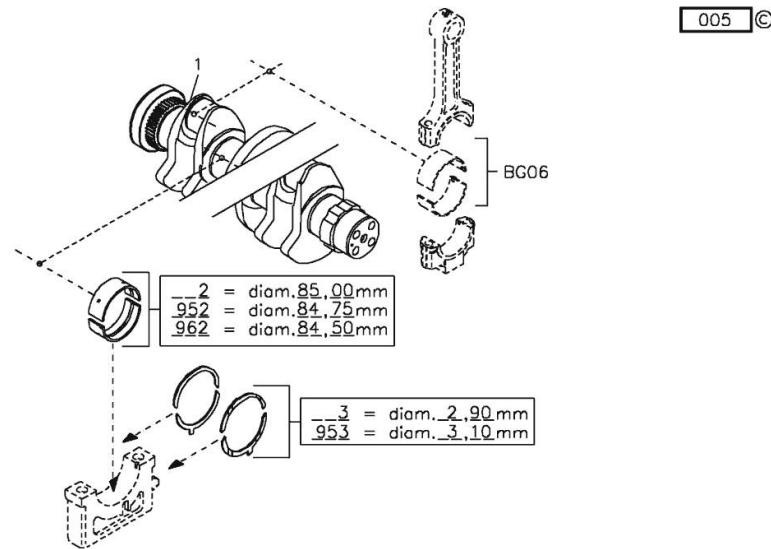
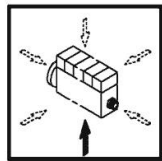
Section: ENGINE  
**CRANKSHAFT**

Fig.	P/n	QTY	Name
------	-----	-----	------

Notes:  
 [IRON 190 S]

**Engine serial number:**

859205 859206 859207 859208 859209 861108 861109 861110 861111 861112 861113 861114 875554 875555 875556  
 875557 875558 875559 875560 875561 890218 954488 954489 954490 954491 954492 954493 954494 954495 954496  
 954497 974668 974669 974670 974671 974672 974673 974674 974675 974676 974677



1	04284997	1	crankshaft
2	02929430	7	main bearing STANDARD NORMAL (A) MM RD, UNDERSIZE STEP SEE ITEM(B) A = 85.00 MM B = POS. 952,962
3	02929438	1	shoulder ring STANDARD NORMAL (A)MM, OVERSIZE STEP SEE ITEM (B) POS. (B) A = 2.90 MM B 953
950	02929961	1	crankshaft REPLACEMENT PART FOR ITEM (A) COMPL. WITH ITEM (B) COMPL. WITH ITEM (B) B 952,953,954 BZW 962,964
952	02929431	1	main bearing - mm 0.25 1ST UNDERSIZE 1ST UNDERSIZE 1A MEDIDA DE DESGASTE 1ERE COTE EN SOUS-DIMENSION 84.75 MM
953	02929439	1	shoulder ring 1ST OVERSIZE 1ST OVERSIZE 1A SOBREMEDIDA 1ERE COTE EN SURDIMENSION 3.10 MM
962	02929432	1	main bearing - mm 0.50 2ND UNDERSIZE 84.50 MM

Section: ENGINE

**V-GROOVED PULLEY**

Fig.	P/n	QTY	Name
------	-----	-----	------

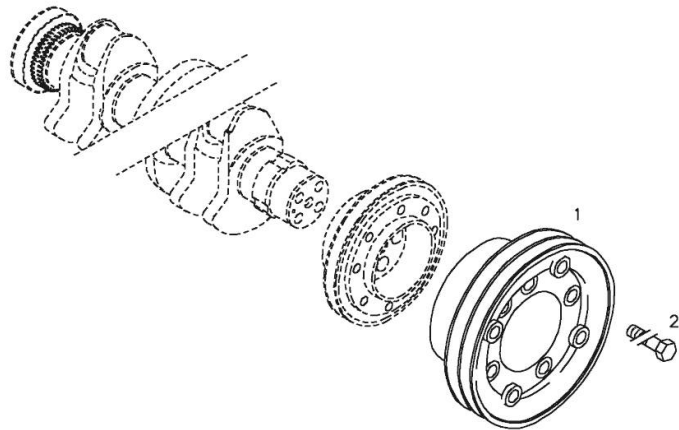
Notes:  
[IRON 190 S]

**Engine serial number:**

859205 859206 859207 859208 859209 861108 861109 861110 861111 861112 861113 861114 875554 875555 875556  
875557 875558 875559 875560 875561 890218 954488 954489 954490 954491 954492 954493 954494 954495 954496  
954497 974668 974669 974670 974671 974672 974673 974674 974675 974676 974677

1	04209691	1	pulley
2	01139427	5	screw DIN 000931- M10 X 90 - 10.9-OELGESCHW.

000 ©



Section: ENGINE

**VIBRATION DAMPER**

Fig.	P/n	QTY	Name
------	-----	-----	------

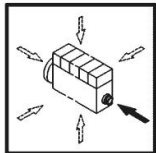
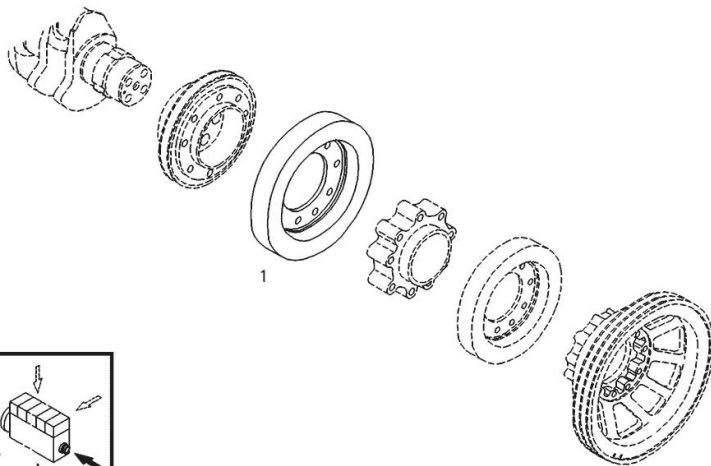
**Notes:**  
[IRON 190 S]

**Engine serial number:**

859205 859206 859207 859208 859209 861108 861109 861110 861111 861112 861113 861114 875554 875555 875556  
875557 875558 875559 875560 875561 890218 954488 954489 954490 954491 954492 954493 954494 954495 954496  
954497 974668 974669 974670 974671 974672 974673 974674 974675 974676 974677

1	04209097	1	vibration damper
---	----------	---	------------------

000



0507 4482



**Suggest:**

**For more complete manuals. Please go to the home page.**

**<https://www.ebooklibonline.com>**

**If the above button click is invalid. Please download this document first, and then click the above link to download the complete manual.**

**Thank you so much for reading**

Section: ENGINE

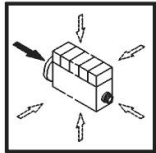
**PLUG**

Fig.	P/n	QTY	Name
------	-----	-----	------

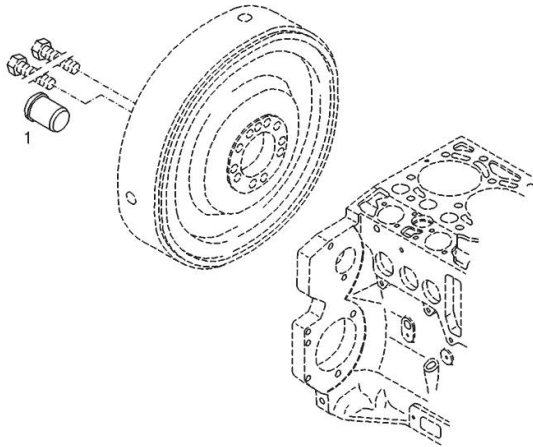
**Notes:**  
[IRON 190 S]

**Engine serial number:**  
954488 954489 954490 954491 954492 954493 954494 954495 954496 954497 974668 974669 974670 974671 974672  
974673 974674 974675 974676 974677

1	01175750	5	plug H 2873 -E10,7X5,5-PEWEICH-SW
---	----------	---	--------------------------------------



000



0507 2759

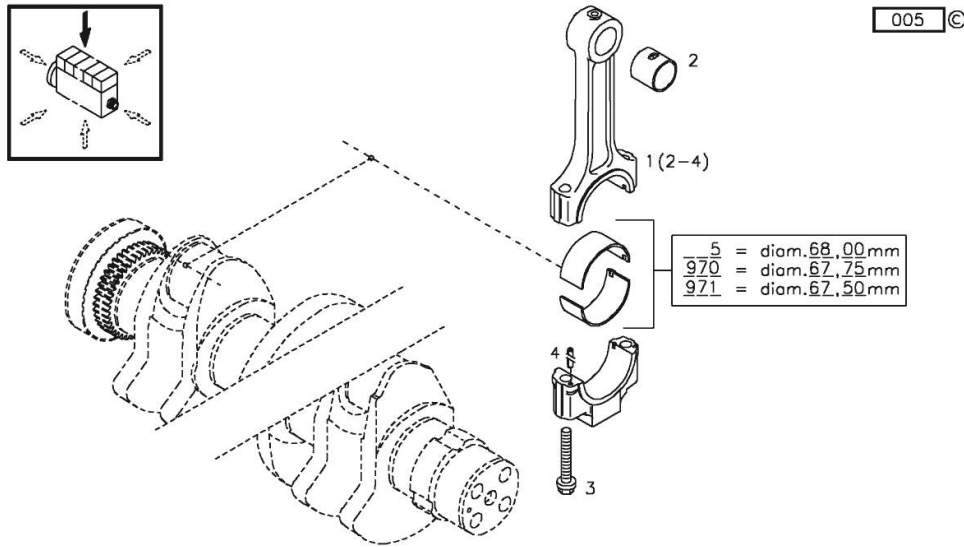
Section: ENGINE  
**CONNECTING ROD**

Fig.	P/n	QTY	Name
------	-----	-----	------

Notes:  
 [IRON 190 S]

**Engine serial number:**

859205 859206 859207 859208 859209 861108 861109 861110 861111 861112 861113 861114 875554 875555 875556  
 875557 875558 875559 875560 875561 890218 954488 954489 954490 954491 954492 954493 954494 954495 954496  
 954497 974668 974669 974670 974671 974672 974673 974674 974675 974676 974677



1	04200465	1	engine connecting rod WITH ITEM .... (2-4)
2	04200024	1	bushing
3	04200468	2	screw
4	01144447	2	pin ISO 8752 -5X10-ST
5	02931473	1	conrod bearing NORMAL (A) MM RD, UNDERSIZE STEP SEE ITEM(B) A = 68 mm B = Pos.970,971
970	02931474	1	conrod bearing 1ST UNDERSIZE 1ST UNDERSIZE 1A MEDIDA DE DESGASTE 1ERE COTE EN SOUS-DIMENSION 67.75 MM
971	02931475	1	conrod bearing 2ND UNDERSIZE 67.50 MM

**<https://www.ebooklibonline.com>**

Hello dear friend!

Thank you very much for reading.

Enter the link into your browser.

The full manual is available for immediate download.

**<https://www.ebooklibonline.com>**