

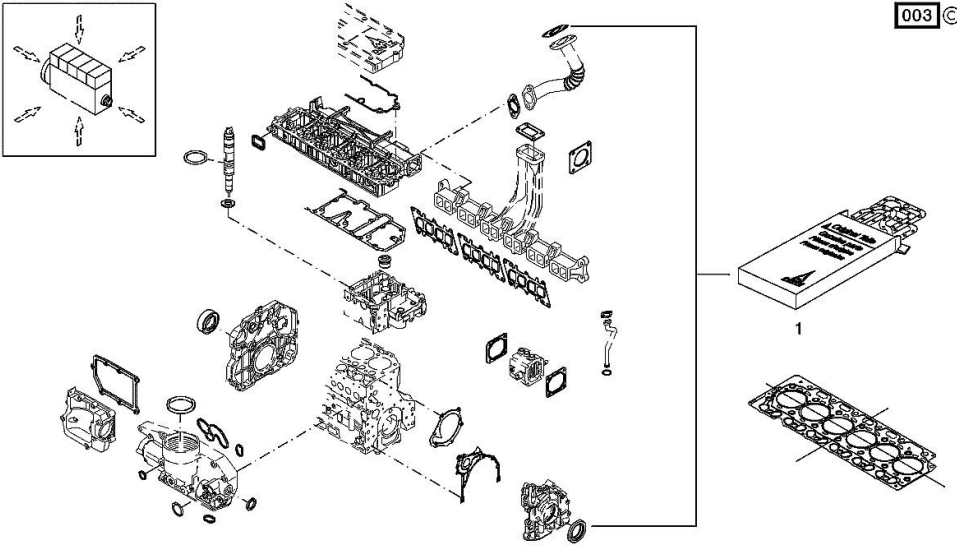
Section: B0 - ENGINE
SERIE GUARNIZIONI

Fig.	P/n	QTY	Name
------	-----	-----	------

Notes:
[IRON 185 HI-LINE DCR]

Engine serial number:
10583639 10583650 10646109 10666960 10666966 10666967 10704269 10712951 10712953 10712955 10746161
10746165 10760020 10760024 10774126 10774129 10774148 10774778 10776080 10776083 10776149 10776150
10776158 10776160 10781233 10781242 10784838 10784899 10793736 10793828 10893260

1	02937590	1	gasket set THE KIT DOES NOT CONTAIN ALL THE GASKETS: SEE SM 0199-99-9449
---	----------	---	--

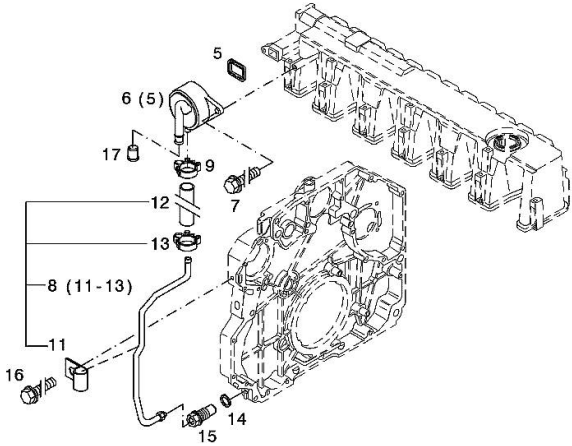
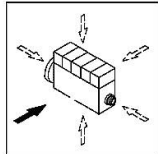


Section: B0 - ENGINE
CRANKCASE BREATHER

Fig.	P/n	QTY	Name
------	-----	-----	------

Notes:
[IRON 185 HI-LINE DCR]

Engine serial number:
10583639 10583650 10646109 10666960 10666966 10666967 10704269 10712951 10712953 10712955 10746161
10746165 10760020 10760024 10774126 10774129 10774148 10774778 10776080 10776083 10776149 10776150
10776158 10776160 10781233 10781242 10784838 10784899 10793736 10793828 10893260



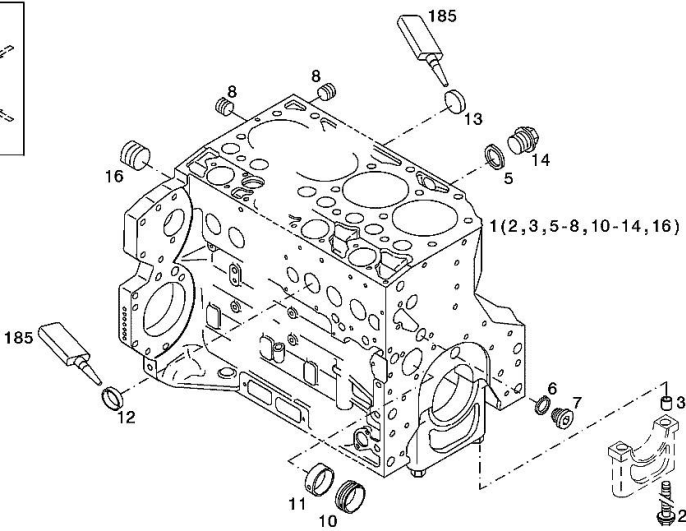
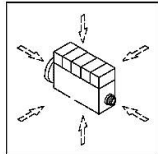
5	04298547	1	rubber plug
6	04905110	1	breather
7	01181432	2	WITH POS.... (5) screw m8x30 EN 1662 -F-M8X30-10.9-ZNAL-A
8	04504875	1	tube WITH POS.... 11-13
9	01182878	1	fascia H 3461 -F-13,0/8
11	02144961	1	fascia
12	04288505	1	rubber tube H 3407 -F8X14X97-EAM/ARAMID/EAM
13	01182878	1	fascia H 3461 -F-13,0/8
14	01118737	1	oil seal 22 x 27 DIN 7603 -A22X27-CU
15	04505853	1	pipe union
16	01181442	1	screw m6x12 EN 1662 -F-M6X12-10.9-ZNAL-A
17	01161302	1	bottom H 2873 -A25,5X22,8X17-PEWEICH

Section: B0 - ENGINE
CRANKCASE

Fig.	P/n	QTY	Name
------	-----	-----	------

Notes:
[IRON 185 HI-LINE DCR]

Engine serial number:
10583639 10583650 10646109 10666960 10666966 10666967 10704269 10712951 10712953 10712955 10746161
10746165 10760020 10760024 10774126 10774129 10774148 10774778 10776080 10776083 10776149 10776150
10776158 10776160 10781233 10781242 10784838 10784899 10793736 10793828 10893260



000 ©

1	04296594	1	crankcase WITH POS.... (2,3,5-8,10-14,16)
2	04254240	14	screw
3	04160764	14	bushing
5	01118693	2	gasket 14x20 DIN 7603 -A14X20-CU
6	01101342	1	oil seal DIN 7603 -D22X27-CU
7	04292706	1	plug
8	01182031	2	screw H 2812 -906-M14X1,5-ST-A3C-LOCTITE506
10	04251884	6	plug
11	04250086	1	ring
12	01148032	9	cover DIN 443 -A45-ZNPHR
13	01148031	5	plug DIN 443 -A36-ZNPHR
14	01100940	2	screw DIN 7604 -AM14X1,5-ST-A4C
16	04226536	1	bottom
185	01016125	1	guard H 0699 -DEUTZDW72-250ML

<https://www.ebooklibonline.com>

Hello dear friend!

Thank you very much for reading.

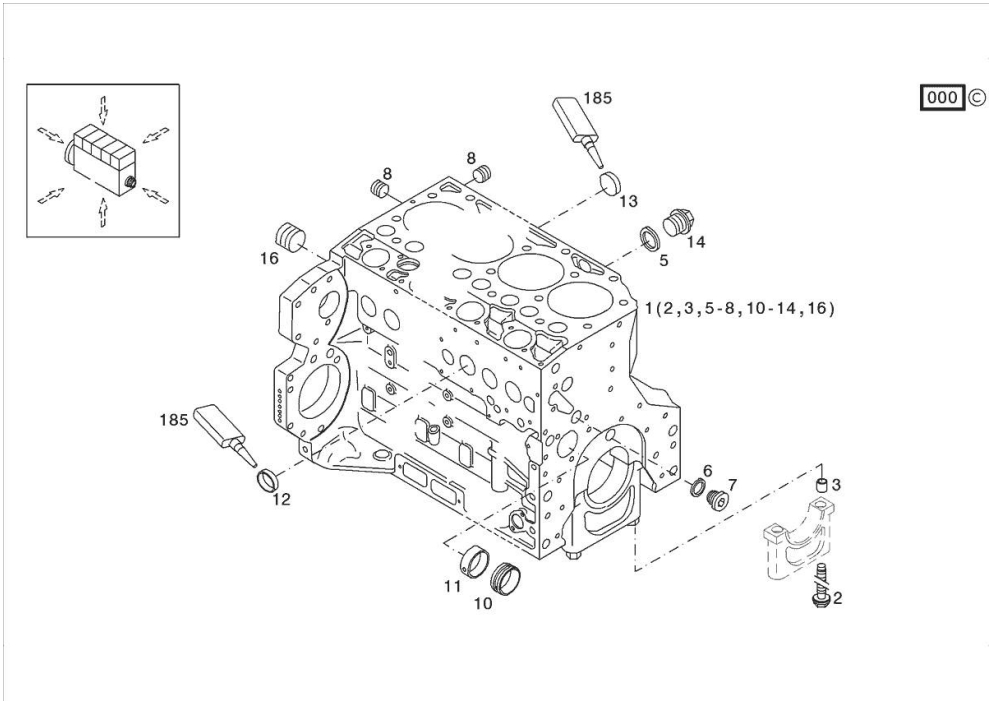
Enter the link into your browser.

The full manual is available for immediate download.

<https://www.ebooklibonline.com>

Section: B0 - ENGINE
KURBELGEHAEUSE

Fig.	P/n	QTY	Name
Notes: [IRON 185 HI-LINE DCR]			
185	01319910	1	guard
1	04506860	1	crankcase MIT POS.... (2,3,5-8,10-14,16)
2	04254240	14	screw 50 Nm , 90° , 90°
3	04160764	14	bushing
5	01118693	2	gasket 14x20 DIN 7603 -A14X20-CU
6	01101342	1	oil seal DIN 7603 -D22X27-CU
7	04292706	1	plug 80 Nm
8	01182031	2	screw 35 Nm H 2812 -906-M14X1,5-ST-A3C-LOCTITE506
10	04251884	6	plug
11	04250086	1	ring
12	01148032	9	cover DIN 443 -A45-ZNPHR
13	01148031	5	plug DIN 443 -A36-ZNPHR
14	01100940	2	screw 35 Nm DIN 7604 -AM14X1,5-ST-A4C
16	04226536	1	bottom 30 Nm



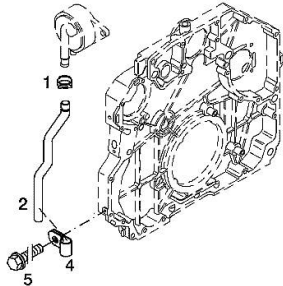
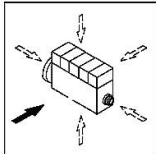
Section: B0 - ENGINE
BLEEDING TUBE

Fig.	P/n	QTY	Name
------	-----	-----	------

Notes:
[IRON 185 HI-LINE DCR]

Engine serial number:
10704269 10712951 10712953 10712955 10746161 10746165 10760020 10760024 10774126 10774129 10774148
10774778 10776080 10776083 10776149 10776150 10776158 10776160 10781233 10781242 10784838 10784899
10793736 10793828 10893260

1	01178750	1	clamp DIN 3021 -A-29X15
2	04290751	1	tube
4	01173523	1	fascia DIN 3016 -1-A1-25X20-W1-2
5	01181433	1	screw EN 1662 -F-M8X20-LG2,5-10.9-ZNAL-A



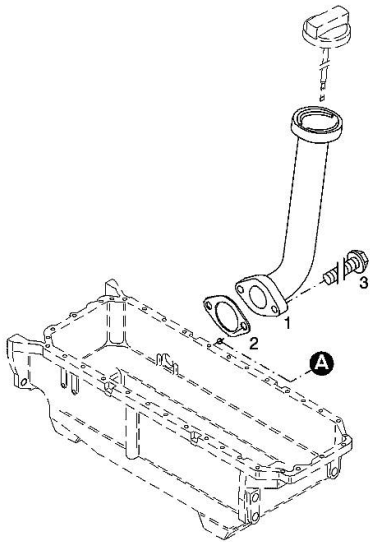
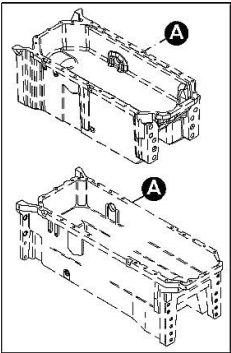
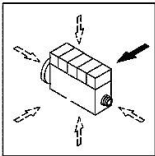
Section: B0 - ENGINE
OIL FILLER NECK

Fig.	P/n	QTY	Name
------	-----	-----	------

Notes:
[IRON 185 HI-LINE DCR]

Engine serial number:
10583639 10583650 10646109 10666960 10666966 10666967 10704269 10712951 10712953 10712955 10746161
10746165 10760020 10760024 10774126 10774129 10774148 10774778 10776080 10776083 10776149 10776150
10776158 10776160 10781233 10781242 10784838 10784899 10793736 10793828 10893260

1	04207099	1	tube
2	01178421	1	gasket DIN 71511 -35X58X1,5-DEUTZFW31
3	01181433	2	screw 30 Nm EN 1662 -F-M8X20-LG2,5-10.9-ZNAL-A



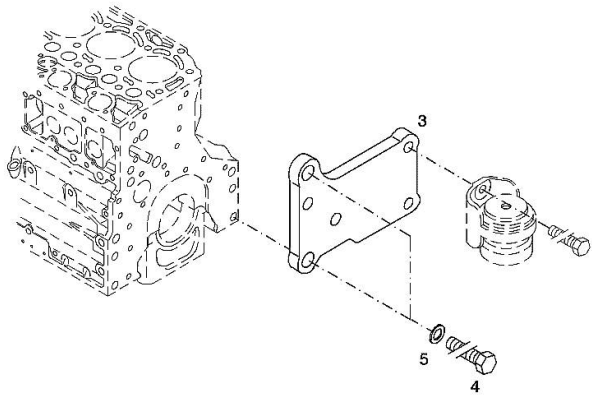
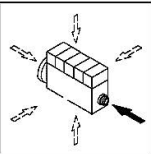
Section: B0 - ENGINE
ACCESSORIES

Fig.	P/n	QTY	Name
------	-----	-----	------

Notes:
[IRON 185 HI-LINE DCR]

Engine serial number:
10583639 10583650 10646109 10666960 10666966 10666967 10704269 10712951 10712953 10712955 10746161
10746165 10760020 10760024 10774126 10774129 10774148 10774778 10776080 10776083 10776149 10776150
10776158 10776160 10781233 10781242 10784838 10784899 10793736 10793828 10893260

3	04288659	1	support
4	01148261	2	screw ISO 4017 -M16X40-10.9-ZNAL-A
5	01181400	2	washer H 2308 -18X25X1,5-A4C



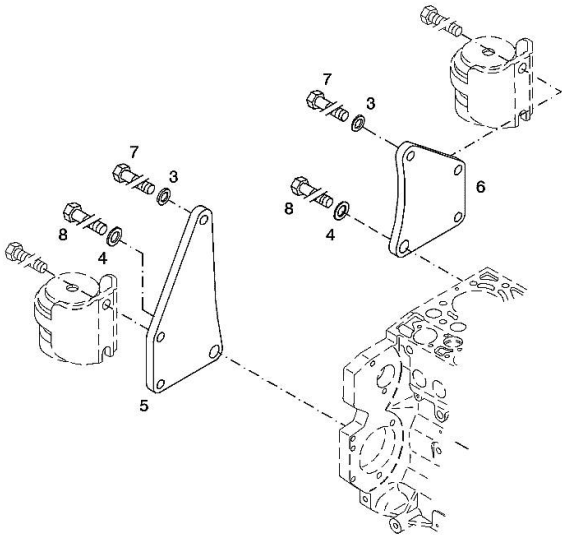
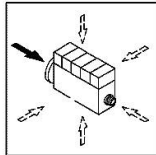
006 ©

Section: B0 - ENGINE
ACCESSORIES

Fig.	P/n	QTY	Name
------	-----	-----	------

Notes:
[IRON 185 HI-LINE DCR]

Engine serial number:
10583639 10583650 10646109 10666960 10666966 10666967 10704269 10712951 10712953 10712955 10746161
10746165 10760020 10760024 10774126 10774129 10774148 10774778 10776080 10776083 10776149 10776150
10776158 10776160 10781233 10781242 10784838 10784899 10793736 10793828 10893260



003 ©

3	01182016	2	disc H 2308 -13X24X3-ZNAL-A
4	01181400	2	washer H 2308 -18X25X1,5-A4C
5	04206926	1	plate dx/rh/re
6	04206927	1	plate sx/lh/li
7	01148137	2	screw - UP TO MONTH OF ASSEMBLY (A) - FROM MONTH OF ASSEMBLY SEE POS. (B) A = 06.2009 B = POS. 950 DIN 931 -M12X75-10.9-ZNAL-A
8	01148037	2	screw UP TO MONTH OF ASSEMBLY (A) - FROM MONTH OF ASSEMBLY SEE POS. (B) A = 06.2009 B = POS. 951 ISO 4014 -M16X75-10.9-OELGESCHW
950	01149017	2	screw - FROM MONTH OF ASSEMBLY SEE POS. (B) - UP TO MONTH OF ASSEMBLY (A) FROM MONTH OF ASSEMBLY A = 07.2009 B = 7 DIN 34800 -BM12X75-10.9-ZNAL-A
951	01180235	2	screw - FROM MONTH OF ASSEMBLY SEE POS. (B) - UP TO MONTH OF ASSEMBLY (A) FROM MONTH OF ASSEMBLY A = 07.2009 B= Pos.8 H 2032 -HBM16X75-10.9-GESCHW

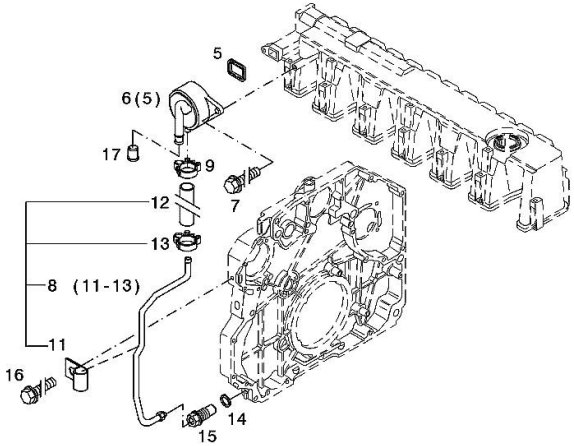
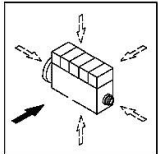
Section: B0 - ENGINE
CRANKCASE BREATHER

Fig.	P/n	QTY	Name
------	-----	-----	------

Notes:
[IRON 185 HI-LINE DCR]

5	04298547	1	rubber plug
6	04905110	1	breather WITH POS.... (5)
7	01181432	2	screw m8x30 EN 1662 -F-M8X30-10.9-ZNAL-A
8	04504876	1	tube WITH POS.... 11-13
9	01182878	1	fascia H 3461 -F-13,0/8
11	02144961	1	fascia
12	04288507	1	rubber tube H 3407 -F8X14X57-EAM/ARAMID/EAM
13	01182878	1	fascia H 3461 -F-13,0/8
14	01118737	1	oil seal 22 x 27 DIN 7603 -A22X27-CU
15	04505853	1	pipe union
16	01181442	1	screw m6x12 EN 1662 -F-M6X12-10.9-ZNAL-A
17	01161302	1	bottom H 2873 -A25,5X22,8X17-PEWEICH

002 ©



ACCESSORIES

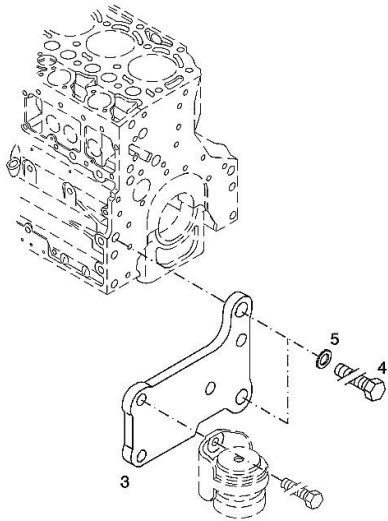
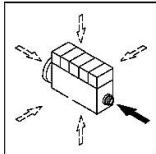
Fig.	P/n	QTY	Name
------	-----	-----	------

Notes:
[IRON 185 HI-LINE DCR]

Engine serial number:
10583639 10583650 10646109 10666960 10666966 10666967 10704269 10712951 10712953 10712955 10746161
10746165 10760020 10760024 10774126 10774129 10774148 10774778 10776080 10776083 10776149 10776150
10776158 10776160 10781233 10781242 10784838 10784899 10793736 10793828 10893260

3	04288660	1	support
4	01148261	2	screw ISO 4017 -M16X40-10.9-ZNAL-A
5	01181400	2	washer H 2308 -18X25X1,5-A4C

003 ©

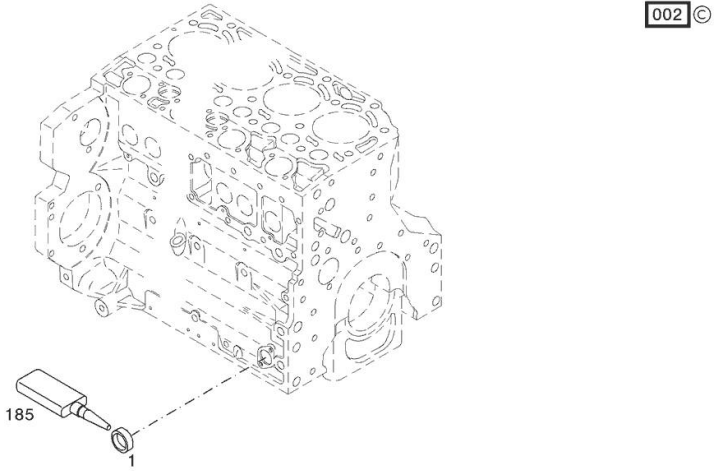
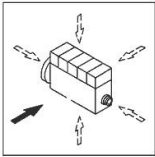


PLUG

Fig.	P/n	QTY	Name
------	-----	-----	------

Notes:
[IRON 185 HI-LINE DCR]

1	01148031	1	plug DIN 443 -A36-ZNPHR
185	01319911	1	sealing compound ml. 50



PISTON COOL.NOZZLE

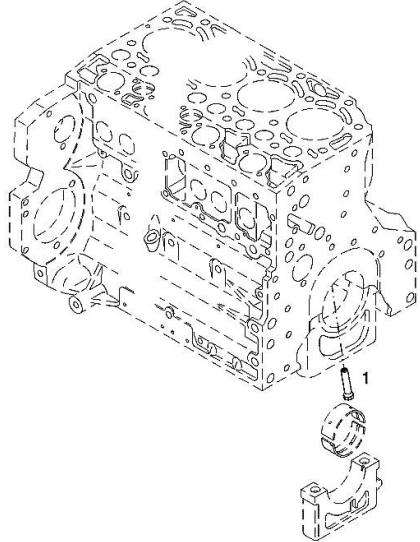
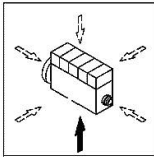
Fig.	P/n	QTY	Name
------	-----	-----	------

Notes:
[IRON 185 HI-LINE DCR]

Engine serial number:
10583639 10583650 10646109 10666960 10666966 10666967 10704269 10712951 10712953 10712955 10746161
10746165 10760020 10760024 10774126 10774129 10774148 10774778 10776080 10776083 10776149 10776150
10776158 10776160 10781233 10781242 10784838 10784899 10793736 10793828 10893260

1	04207521	1	sprayers
---	----------	---	----------

001 ©



FILLER CAP

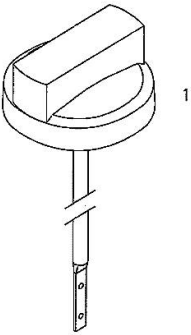
Fig.	P/n	QTY	Name
------	-----	-----	------

Notes:
[IRON 185 HI-LINE DCR]

Engine serial number:
10583639 10583650 10646109 10666960 10666966 10666967 10704269 10712951 10712953 10712955 10746161
10746165 10760020 10760024 10774126 10774129 10774148 10774778 10776080 10776083 10776149 10776150
10776158 10776160 10781233 10781242 10784838 10784899 10793736 10793828 10893260

1	01180341	1	plug H 2875 -B2-OL40-166X4X145X15
---	----------	---	--------------------------------------

000





Suggest:

For more complete manuals. Please go to the home page.

<https://www.ebooklibonline.com>

If the above button click is invalid. Please download this document first, and then click the above link to download the complete manual.

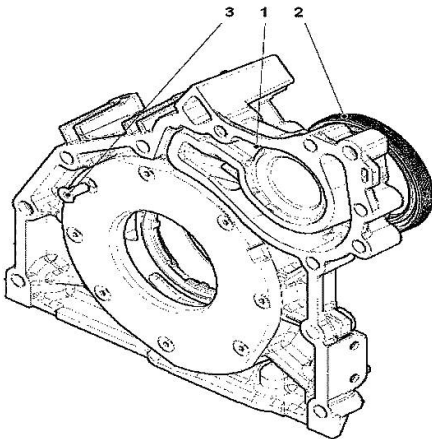
Thank you so much for reading

FLANGE

Fig.	P/n	QTY	Name
------	-----	-----	------

Notes:
 [IRON 185 HI-LINE DCR]

1	04502445	1	oil pump WITH POS.... (2,3)
2	04502202	1	special oil seal
3	01133718	8	screw 8.5 Nm DIN 7991 -M6X16-8.8-A4C



000

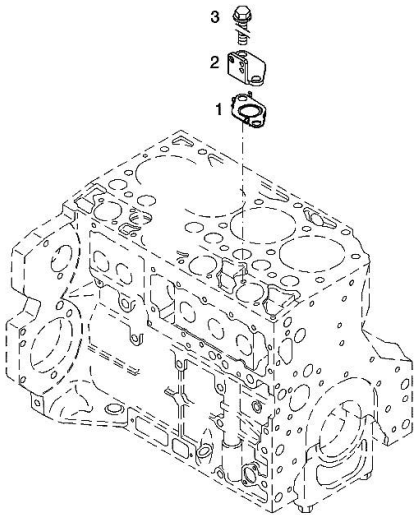
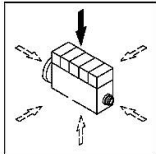
CLOSING COMPONENTS

Fig.	P/n	QTY	Name
------	-----	-----	------

Notes:
[IRON 185 HI-LINE DCR]

Engine serial number:
10583639 10583650 10646109 10666960 10666966 10666967 10704269 10712951 10712953 10712955 10746161
10746165 10760020 10760024 10774126 10774129 10774148 10774778 10776080 10776083 10776149 10776150
10776158 10776160 10781233 10781242 10784838 10784899 10793736 10793828 10893260

1	04292757	1	gasket
2	04292113	1	bracket
3	01181436	2	screw
EN 1662 -F-M8X16-LG2,5-10.9-ZNAL-A			



<https://www.ebooklibonline.com>

Hello dear friend!

Thank you very much for reading.

Enter the link into your browser.

The full manual is available for immediate download.

<https://www.ebooklibonline.com>