

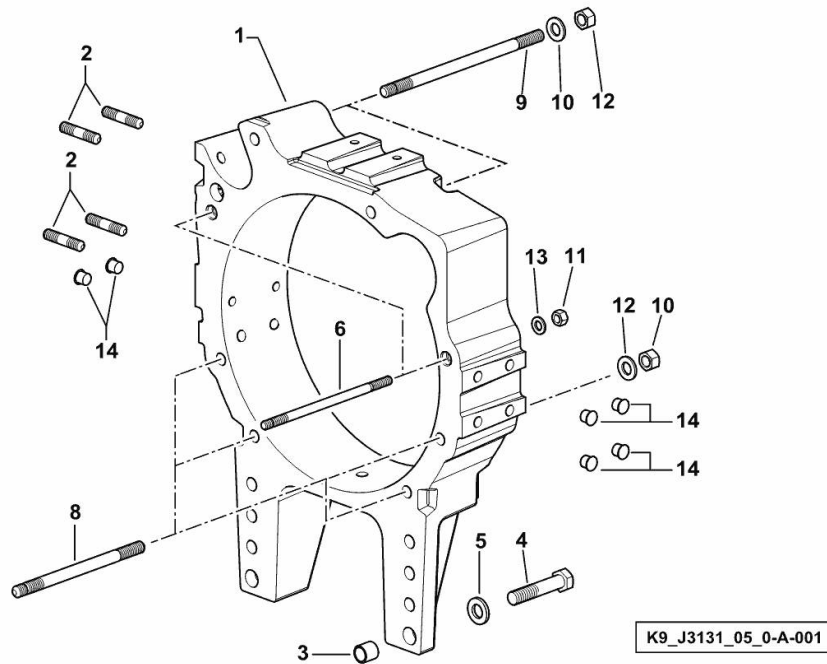
**SEPARATOR**

Fig.	P/n	QTY	Name
------	-----	-----	------

**Notes:**

[IRON 185 DCR HI-LINE -> 20001]

1	0.015.0622.0/30	1	spacer
2	2.0433.315.7	4	stud bolt m 14 p.1.5 x 50
3	0.013.2899.0	2	bushing 19x24x23
4	2.0114.725.2	8	screw m 18 p.2.5x80
5	2.1475.107.7	8	washer 18x36
6	2.0422.436.7	2	stud bolt m 12 p.1.75x220
8	2.0439.296.7/10	4	stud bolt m 16 p.2-1.5x242
9	2.0439.297.7/10	2	stud bolt
10	2.1011.109.2	6	nut m 16 p.2
11	2.1011.107.2	2	nut m 12 p.1.75
12	2.1475.106.7	6	washer 17x32
13	2.1475.104.7	2	washer 13 x 24
14	01167317	6	plug 14.5X11.5X21

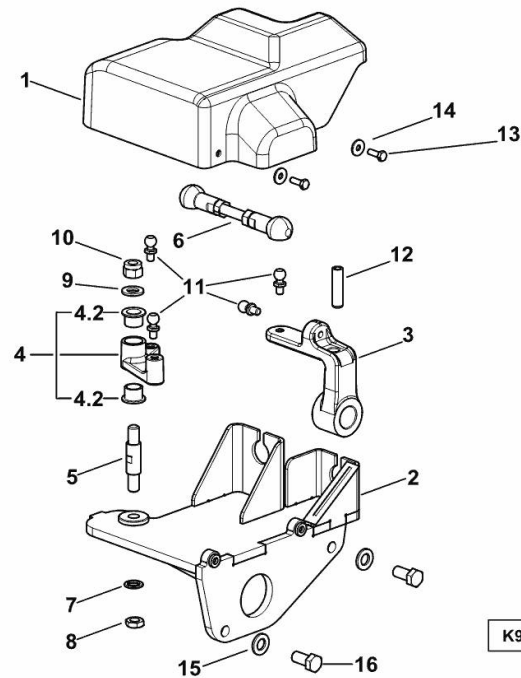


**GEAR SHIFTING**

Fig.	P/n	QTY	Name
------	-----	-----	------

**Notes:**

[IRON 185 DCR HI-LINE -> 20001] 20005 <-



1	0.016.3928.0/10	1	cover
2	0.016.5459.2/20	1	support
3	0.016.3972.0/20	1	lever
4	0.016.3962.4	1	lever
4.2	2.1559.276.0/10	2	special bushing 16x20x15
5	0.016.2711.0/10	1	pin
6	0.016.3969.4/10	1	rod
7	2.1474.011.2	1	spring washer 12
8	2.1011.107.2	1	nut m 12 p.1.75
9	2.1310.007.2	1	flat washer 13 x 24
10	2.1120.007.2	1	self-locking nut m 12 p.1.75
11	0.014.1947.0	4	small pin
12	2.1630.916.2	1	pin 12x45
13	2.0112.006.2	2	screw m 6 p.1 x 18
14	2.1312.003.2	2	washer 6
15	2.1475.104.6	2	screw 13 x 24
16	2.0114.409.2	2	screw m 12 x 25

K9\_J3164\_04\_0-A-001

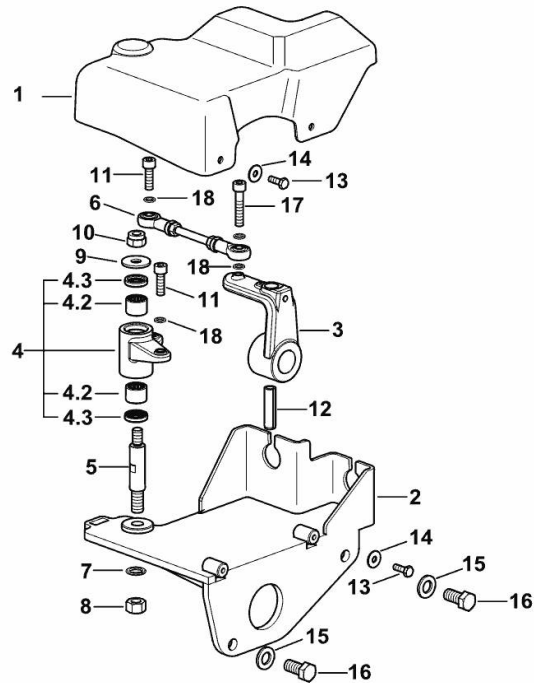
**GEAR SHIFTING**

Fig.	P/n	QTY	Name
------	-----	-----	------

**Notes:**

[IRON 185 DCR HI-LINE -> 20001]

1	0.019.4943.0	1	cover
2	0.016.5459.2/20	1	support
3	0.019.5033.0	1	lever
4	0.019.5053.4	1	lever
4.2	2.2725.020.0	2	roller cage 16x22x16
4.3	2.1519.078.0	2	special oil seal 16 x 24 x 6
5	0.016.2711.0/20	1	pin
6	0.019.4543.4	1	stay
7	2.1474.011.2	1	spring washer 12
8	2.1011.107.2	1	nut m 12 p.1.75
9	2.1312.005.2	1	washer 10.2
10	2.1120.006.2	1	nut m 10 p.1.5
11	2.0312.208.2	2	screw m 8 p.1.25 x 25
12	2.1630.916.2	1	pin 12x45
13	2.0112.006.2	2	screw m 6 p.1 x 18
14	2.1312.003.2	2	washer 6
15	2.1475.104.6	2	screw 13 x 24
16	2.0114.409.2	2	screw m 12 x 25
17	2.0312.214.2	1	screw m 8 p.1.25 x 40
18	2.1549.780.2	4	washer



K9\_J3164\_04\_0-A-002

**<https://www.ebooklibonline.com>**

Hello dear friend!

Thank you very much for reading.

Enter the link into your browser.

The full manual is available for immediate download.

**<https://www.ebooklibonline.com>**

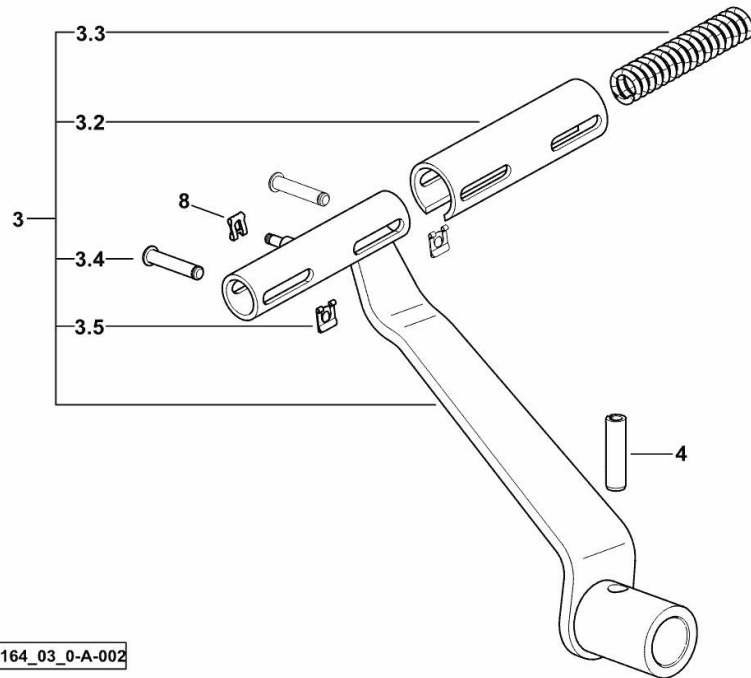
**SUPER-REDUCTION CONTROL**

Fig.	P/n	QTY	Name
------	-----	-----	------

**Notes:**

[IRON 185 DCR HI-LINE -> 20001]

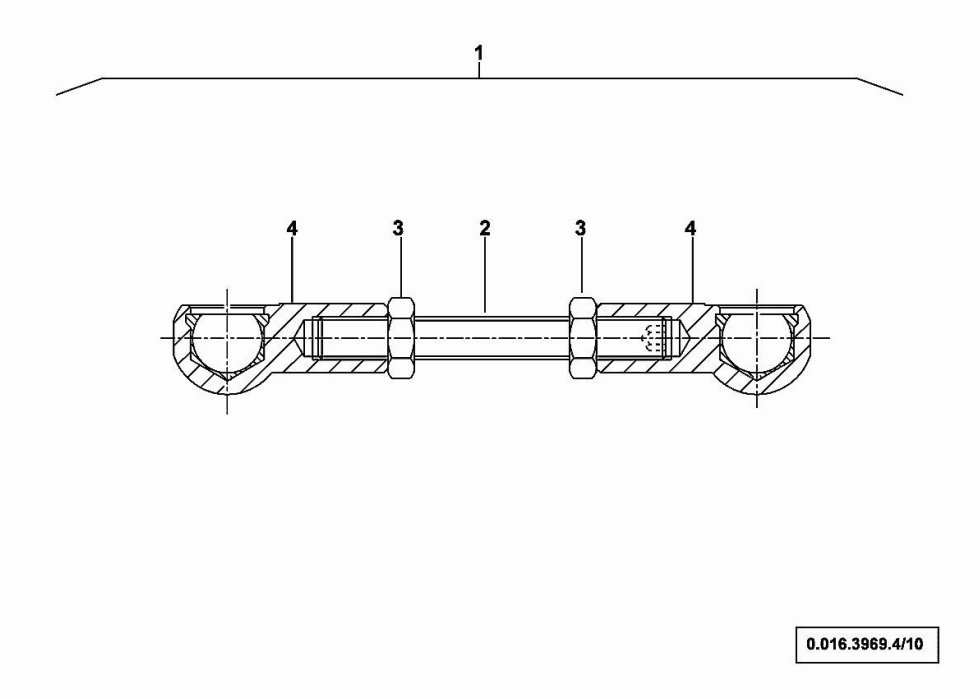
3	0.017.9592.4/10	1	lever
3.2	04414554.4	1	tube
3.3	04414549	1	spring
3.4	04414557	2	pin
3.5	01175655	2	stop
4	2.1630.916.2	1	pin 12x45
8	01175725	1	clip 6, d128



K9\_R5164\_03\_0-A-002

**LINKAGE**

Fig.	P/n	QTY	Name
1	0.016.3969.4/10	1	rod
2	0.900.1389.8	1	rod
3	0.900.1389.9	2	nut
4	0.900.1390.0	2	tip



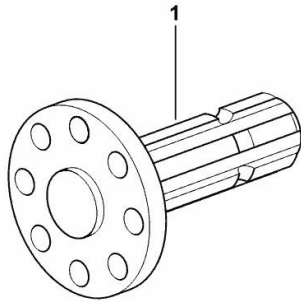
**PTO OUTPUT SHAFT 1" 3/4, Z = 6**

Fig.	P/n	QTY	Name
------	-----	-----	------

**Notes:**

[IRON 185 DCR HI-LINE -> 20001]

1	04454955	1	shaft 1" 3/4, Z = 6
---	----------	---	---------------------



K9\_F5336\_12\_0-A-001

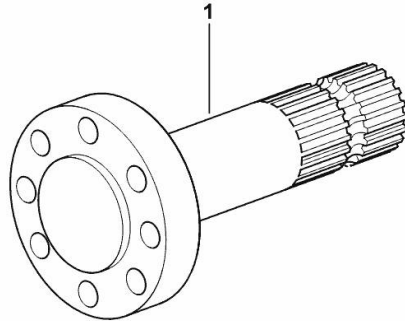
**PTO OUTPUT SHAFT 1"3/4, Z = 20**

Fig.	P/n	QTY	Name
------	-----	-----	------

**Notes:**

[IRON 185 DCR HI-LINE -> 20001]

1	04413632	1	shaft 1"3/4, Z = 20
---	----------	---	---------------------



K9\_F5336\_11\_0-A-001

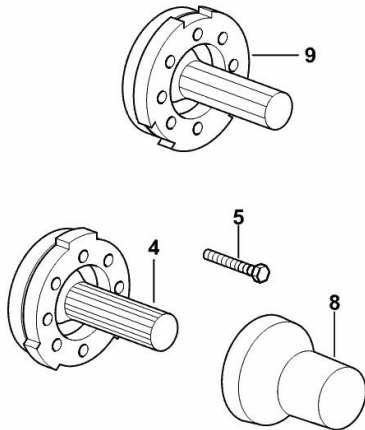
**PTO OUTPUT SHAFT**

Fig.	P/n	QTY	Name
------	-----	-----	------

**Notes:**

- EXPORT U.S.A. [IRON 185 DCR HI-LINE -> 20001]

4	04455303.3	1	power take-off shaft Z = 21
5	2.0119.251.2	8	screw m 12 p.1.75 x 60
8	0.012.9643.0/30	1	guard
9	04455065.3	1	power take-off shaft Z = 6



K9\_R5184\_07\_0-A-001

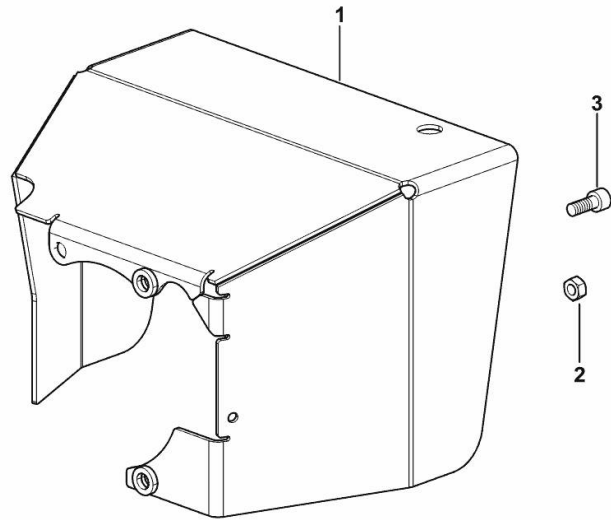
**P.T.O. SHAFT PROTECTOR REAR**

Fig.	P/n	QTY	Name
------	-----	-----	------

**Notes:**

- EXPORT U.S.A. [IRON 185 DCR HI-LINE -> 20001]

1	0.018.9469.3/10	1	guard
2	2.1011.105.2	3	nut m 8 p.1.25
3	2.0312.206.2	1	screw m 8 p 1.25 x 20



K9\_L4736\_20\_0-A-001

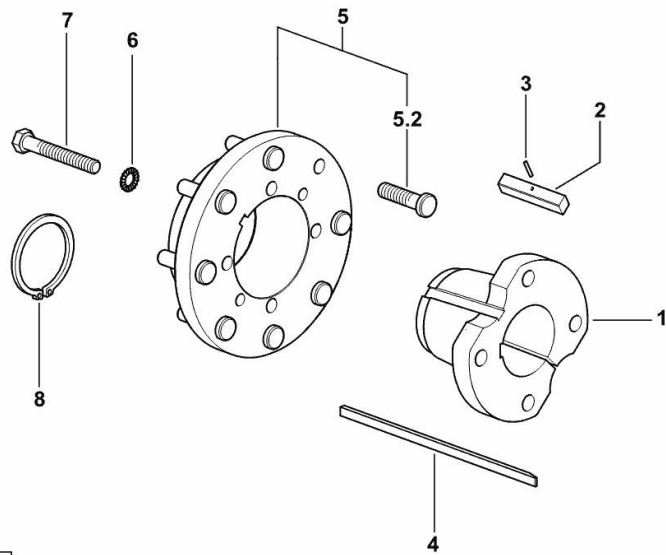
**FLANGE SX/LH/LI - DX/RH/RE**

Fig.	P/n	QTY	Name
------	-----	-----	------

**Notes:**

[IRON 185 DCR HI-LINE -> 20001]

1	04453371	2	flange
2	2.1799.020.2	2	stick
3	2.1630.211.0	2	roll pin 3x24
4	04455000	2	stick
5	0.009.3540.3/10	2	flange
5.2	0.009.3541.0	8	small column m 22 p1.5x85
6	2.1470.011.2	8	lock washer 20
7	2.0119.080.2	8	screw
8	2.1410.040.7	2	ring 100



K9\_D4031\_03\_0-A-001

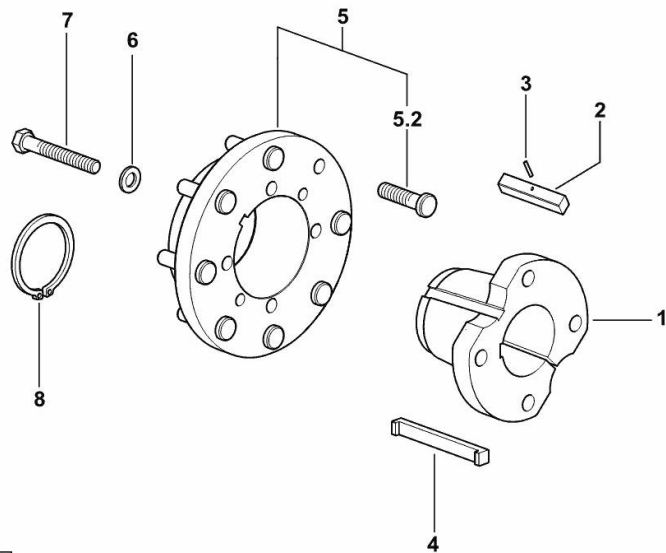
**FLANGE SX/LH/LI - DX/RH/RE**

Fig.	P/n	QTY	Name
------	-----	-----	------

**Notes:**

[IRON 185 DCR HI-LINE -> 20001]

1	04453371	2	flange
2	2.1799.020.2	2	stick
3	2.1630.211.0	2	roll pin 3x24
4	0.021.3340.0	2	stick
5	0.009.3540.3/10	2	flange
5.2	0.009.3541.0	8	small column m 22 p1.5x85
6	2.1475.008.2	8	washer 20
7	2.0119.080.2	8	screw
8	2.1410.040.7	2	ring 100



K9\_D4031\_03\_0-A-002

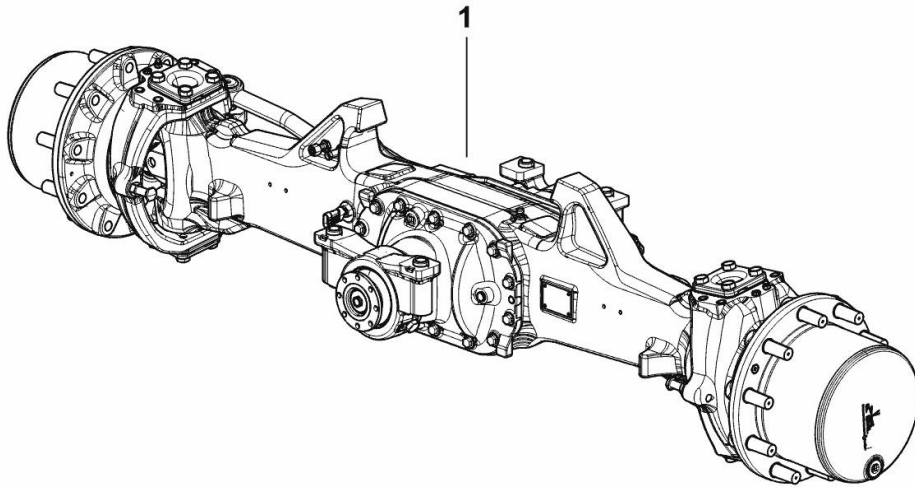
**4WD - FRONT DRIVE AXLE**

Fig.	P/n	QTY	Name
------	-----	-----	------

**Notes:**

[IRON 185 DCR HI-LINE -> 20001]

1	0.015.3567.4	1	axle ( 20005 <- ) ☞ 0.015.3567.4 ☞ 0.015.3567.4 ☞ 0.015.3567.4 ☞ 0.015.3567.4 ☞ 0.015.3567.4 ☞ 0.015.3567.4 ☞ 0.015.3567.4 ☞ 0.015.3567.4
1	0.015.3567.4/20	1	complete axle ☞ 0.015.3567.4/20 ☞ 0.015.3567.4/20 ☞ 0.015.3567.4/20 ☞ 0.015.3567.4/20 ☞ 0.015.3567.4/20 ☞ 0.015.3567.4/20 ☞ 0.015.3567.4/20



K9\_J3143\_00\_0-A-001

**4WD - FRONT DRIVE AXLE**

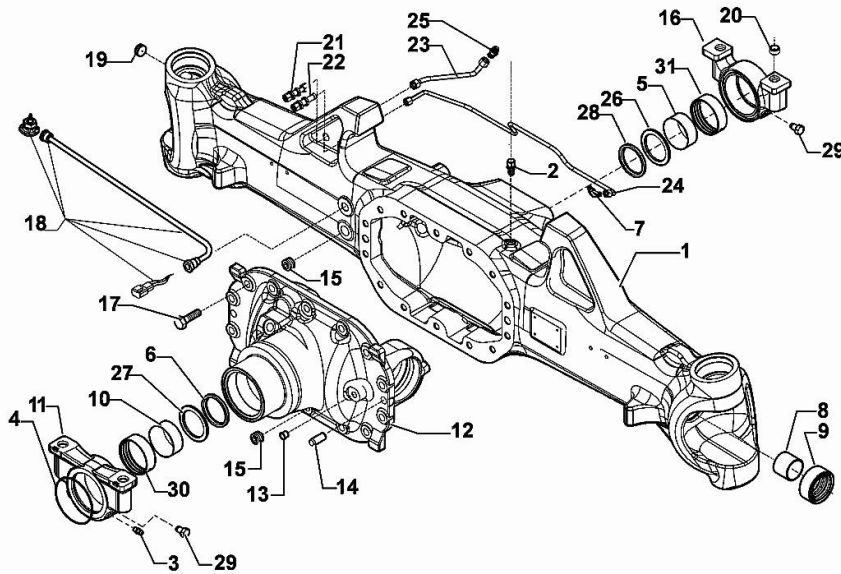


Fig.	P/n	QTY	Name
1	0.900.0892.9	1	front axle
2	0.900.0079.8	1	breather m 10 p.1
3	0.900.0094.2	1	grease gun
4	0.900.0893.0	1	oil seal
5	0.900.0703.7	1	bushing
6	0.900.0095.0	1	slewing ring
7	0.900.0107.0	1	pipe fitting
8	0.900.0745.8	2	bearing
9	0.900.0893.1	2	oil seal
10	0.900.1289.6	1	bushing
11	0.900.0893.2	1	support
12	0.900.0893.3	1	support
13	0.900.0893.4	1	plug D1
14	0.900.0081.0	2	pin Ø 15x45
15	0.900.0081.1	2	plug m 24 p.1.5
16	0.900.0893.5	1	support
17	0.900.0081.3	14	screw m14 x 40
18	0.900.0504.8	1	sensor - KIT
19	0.900.0081.6	1	plug m 26 p.1.5
20	0.900.0893.6	4	bush
21	0.900.0081.7	1	pipe fitting
22	0.900.0081.8	1	pipe fitting
23	0.900.0893.7	1	tube
24	0.900.0893.8	1	tube
25	0.900.0893.9	1	pipe fitting
26	0.900.0894.0	1	oil seal
27	0.900.0095.3	1	circlip
28	0.900.0894.1	1	slewing ring
29	0.900.0095.6	2	screw
30	0.900.0095.2	1	bushing
31	0.900.0894.2	1	bushing



**Suggest:**

**For more complete manuals. Please go to the home page.**

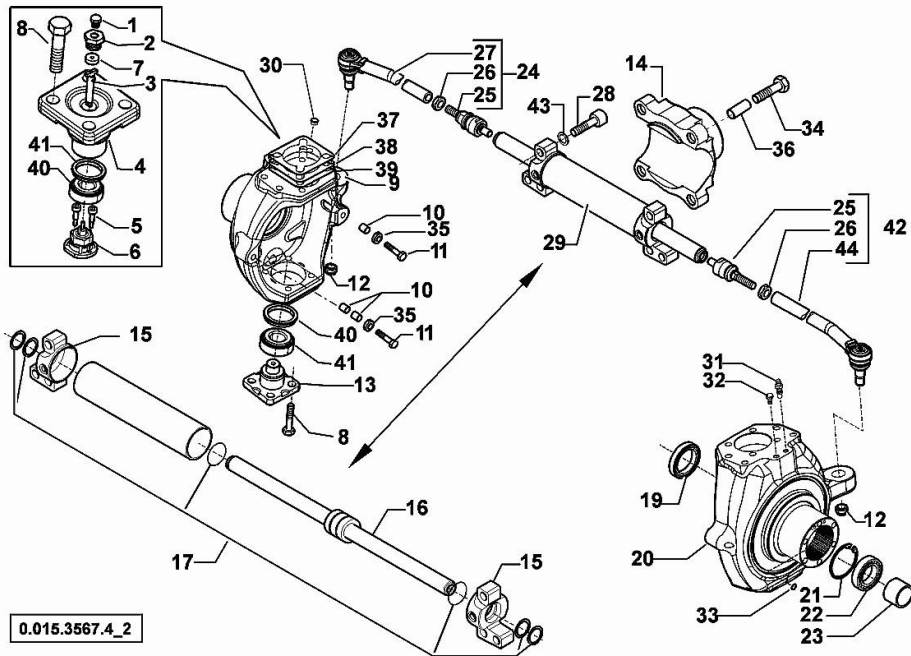
**<https://www.ebooklibonline.com>**

**If the above button click is invalid. Please download this document first, and then click the above link to download the complete manual.**

**Thank you so much for reading**

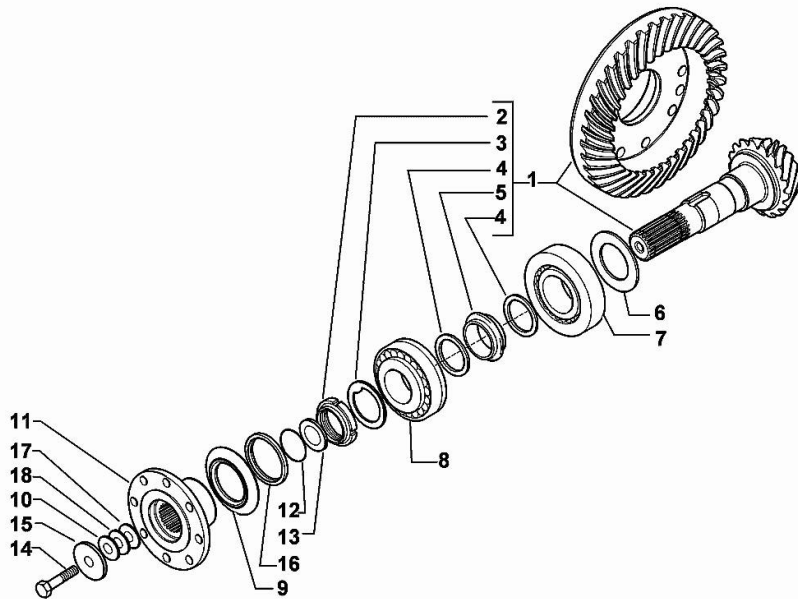
**STEERING CYLINDER**

Fig.	P/n	QTY	Name
1	0.900.0894.3	2	plug
2	0.900.0082.4	2	screw m 20 p.1.5
3	0.900.0502.3	1	shaft
4	0.900.0894.4	1	pin
5	0.900.0082.7	2	screw m 4 x 10
7	0.900.0502.7	1	washer
8	0.900.0894.5	16	screw m6 x 8
9	0.900.0899.9	1	fork sx/lh/li
10	0.900.0894.7	2	bush
11	0.900.0894.8	2	screw
12	0.900.0096.2	2	nut M24x1.5
13	0.900.0894.9	3	pin
14	0.900.0895.0	1	support
15	0.900.1134.5	2	rod-head
16	0.900.1134.6	1	stem
17	0.900.0950.2	1	gasket set
19	0.900.0895.2	2	oil seal
20	0.900.0895.3	1	fork dx/rh/re
21	0.900.0545.3	2	ring
22	0.900.0895.4	2	bearing
23	0.900.0895.5	2	spacer
24	0.900.0895.6	1	rod sx/lh/li
25	0.900.0084.5	2	ball joint
26	0.900.0084.6	2	nut m 24x10
27	0.900.0895.7	1	rod
28	0.900.0553.3	6	screw
29	0.900.0895.1	1	jack
30	0.900.0085.0	8	plug
31	0.900.0112.6	2	breather m10 p.1
32	0.900.0895.8	2	plug m 10 p.1
33	0.900.0503.9	4	oil seal
34	0.900.0895.9	4	screw m 16 x 20
35	0.900.0537.4	4	nut
36	0.900.0093.2	4	bush 20 x 17 x 12
37	0.900.0896.0	2	shim
38	0.900.0896.1	2	shim
39	0.900.0896.2	2	shim
40	0.900.0896.3	3	oil seal
41	0.900.0896.4	3	bearing
42	0.900.0896.5	1	rod dx/rh/re
43	0.900.0896.6	6	washer
44	0.900.0896.7	1	rod



**BEVEL WHEEL GEAR**

Fig.	P/n	QTY	Name
1	0.900.0896.8	1	bevel drive Z = 16/44
2	0.900.0085.5	1	ring nut m 40 p.1.5
3	0.900.0085.6	1	washer
4	0.900.0085.7	2	washer
5	0.900.0108.1	1	spacer
6	0.900.0099.3		shim 2.50
6	0.900.0099.4		shim 2.60
6	0.900.0099.5		shim 2.70
6	0.900.0099.6		shim 2.80
6	0.900.0099.7		shim 2.90
6	0.900.0099.8		shim 3.00
6	0.900.0099.9		shim 3.10
6	0.900.0100.0		shim 3.20
6	0.900.0100.1		shim 3.30
6	0.900.0100.2		shim 3.40
7	0.900.0099.1	1	bearing
8	0.900.0086.9	1	bearing
9	0.900.0099.0	1	cover
10	0.900.0896.9	1	shim
11	0.900.0897.0	1	flange
12	0.900.0554.6	1	ring
13	0.900.1169.6	1	disc
14	0.900.0098.8	1	screw m 12 x 25
15	0.900.0098.6	1	washer
16	0.900.0895.2	1	oil seal
17	0.900.0897.2	1	shim
18	0.900.0897.3	1	shim



0.015.3567.4\_3

**<https://www.ebooklibonline.com>**

Hello dear friend!

Thank you very much for reading.

Enter the link into your browser.

The full manual is available for immediate download.

**<https://www.ebooklibonline.com>**