

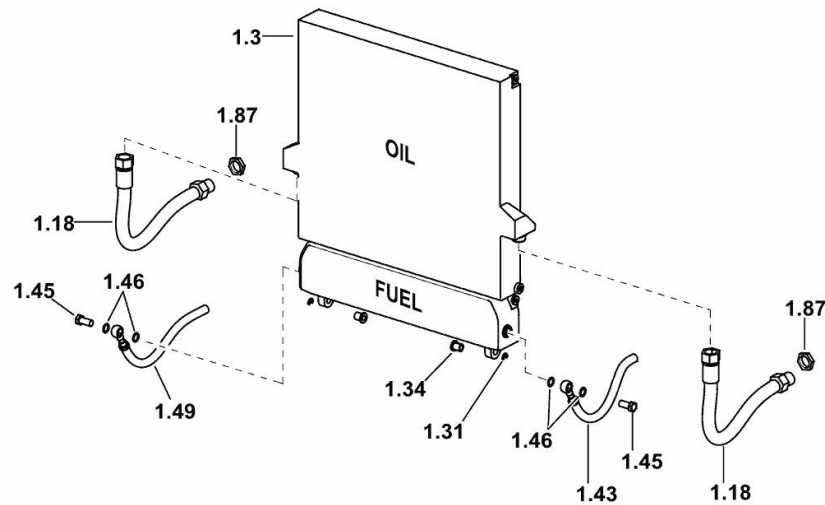
FUEL COOLER - GEAR OIL COOLER

Fig.	P/n	QTY	Name
------	-----	-----	------

Notes:
[IRON 180]

1.3	0.013.4874.4/10	1	radiator
1.18	0.013.3603.3/20	2	flexible hose
1.31	2.1430.009.2	4	ring 8
1.34	2.1559.147.0	8	bushing
1.43	04452457	1	rubber tube sx/lh/li
1.45	01119246	2	pipe union H 3102 -D10 M
1.46	2.1569.220.0	4	oil seal
1.49	04452458	1	rubber tube dx/rh/re
1.87	01123544	2	nut m 26 p.1.5

K9_B7583_01_0-A-002

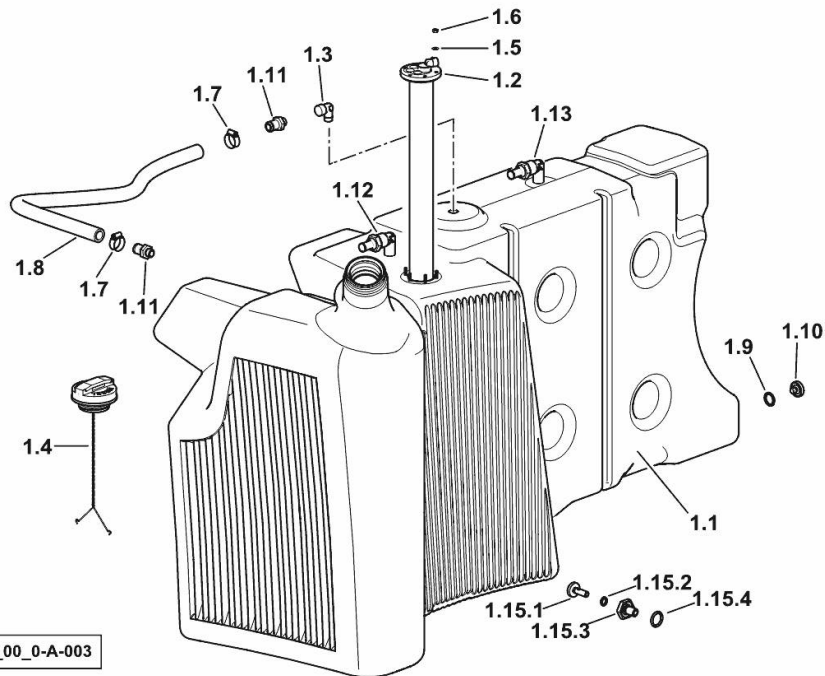


FUEL TANK

Fig.	P/n	QTY	Name
------	-----	-----	------

Notes:
[IRON 180]

1.1	0.014.0702.3/40	1	fuel tank lt. 300
1.2	2.7059.844.0	1	float
1.3	2.3249.224.0	1	pipe fitting Ø 22 / 3/8" GAS
1.4	0.016.0151.4	1	plug ☞ 0.016.0151.4
1.5	2.1310.028.2	6	flat washer
1.6	2.1011.101.2	6	nut
1.7	01173962	2	clamp Ø 20/32
1.8	0.016.9302.0/10	1	tube
1.9	2.1539.040.0	1	special oil seal 21.82 x 3.53
1.10	2.3199.332.0	1	plug m 12
1.11	2.3249.245.0	2	pipe fitting Ø 12 / 3/8" GAS
1.12	0.015.9459.3/10	1	tube - INLET
1.13	0.016.7518.3/10	1	tube - RETURN
1.15.1	0.016.9607.0	1	plug m10
1.15.2	2.1560.006.0	1	gasket 10.2 x 16
1.15.3	0.016.9605.0	1	plug m14
1.15.4	2.1539.040.0	1	special oil seal 21.82 x 3.53



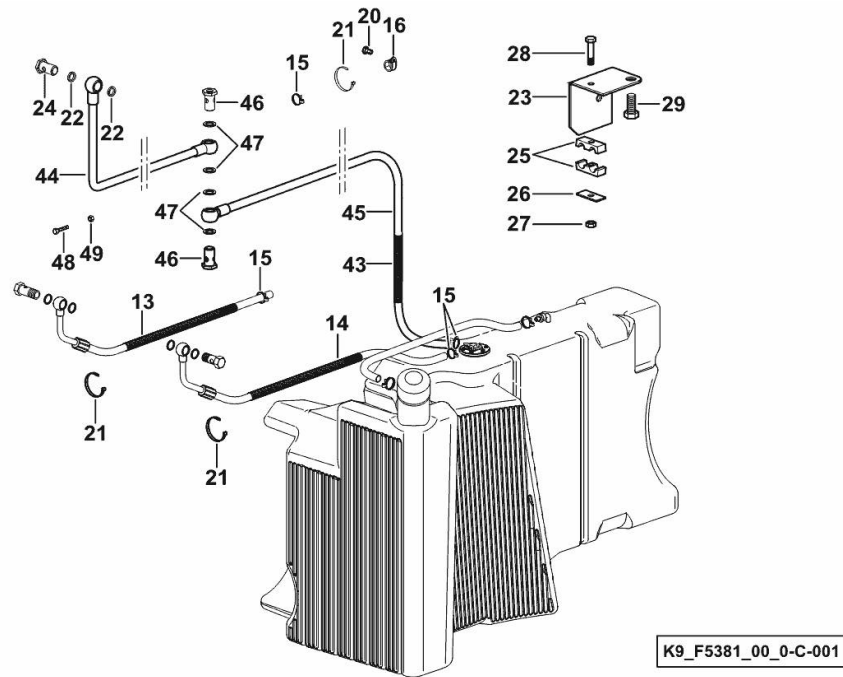
K9_F5381_00_0-A-003

FUEL TANK PIPES

Fig.	P/n	QTY	Name
------	-----	-----	------

Notes:
[IRON 180]

13	0.016.1428.0	1	guard mm 1150
14	0.016.1425.0	1	guard mm 1700
15	2.6851.001.0	4	clamp Ø 16/25
16	01172689	1	clamp
20	01112295	1	screw m 8 x 10
21	2.6852.203.0	8	clamp 292 x 4.8
22	2.1569.221.0	2	oil seal 16.2x20x1.5
23	04428087	1	angular
24	01137064	1	pipe union m 16 p.1.5
25	04418659	2	terminal 12x10
26	01175616	1	small plate
27	2.1011.103.2	1	nut m 6 p.1
28	2.0114.016.2	1	screw m 16 p.1x45
29	2.0114.411.2	1	screw m 12 p.1.75 x 30
43	0.016.1442.0	1	guard mm 1450
44	04453719	1	flexible hose mm 550
45	0.016.1448.0	1	flexible hose mm 1900
46	2.3335.008.2	2	pipe union m 18 p.1.5 x 32
47	2.1569.222.0	4	gasket 18.2x21.9x1.5
48	2.0112.017.2	2	screw m 6 p.1x45
49	2.1120.003.2	2	self-locking nut m 6



<https://www.ebooklibonline.com>

Hello dear friend!

Thank you very much for reading.

Enter the link into your browser.

The full manual is available for immediate download.

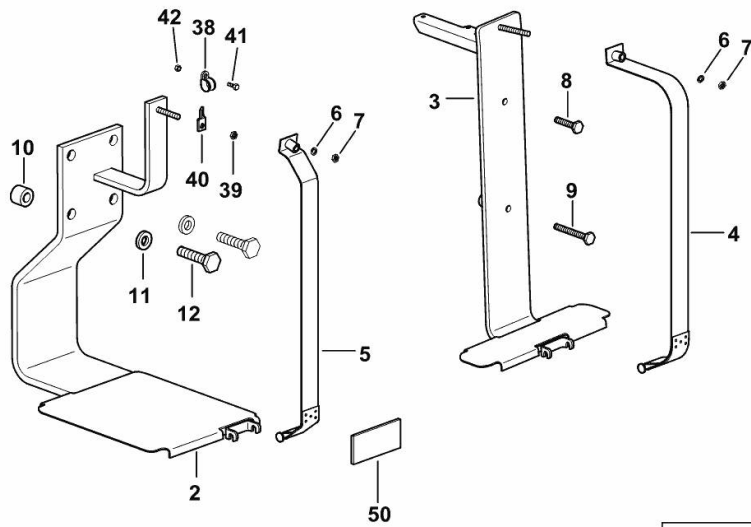
<https://www.ebooklibonline.com>

TANK SUPPORTS

Fig.	P/n	QTY	Name
------	-----	-----	------

Notes:
[IRON 180]

2	0.014.0711.3/20	1	tank support
3	0.014.8104.3/30	1	tank support
4	04438108/10	1	fascia
5	04436122/10	1	fascia
6	2.1310.006.2	2	flat washer 10.5x21
7	01136453	2	nut m 10
8	2.0112.421.2	1	screw m 12 p.1.75 x 60
9	2.0112.431.2	1	screw m 12 p.1.75 x 110
10	04427061	1	bushing 20.5x40x30
11	01167055	4	washer 20.5x40
12	2.0399.302.2	4	screw m 20 p.2x90
38	01213283	1	clamp Ø 20/28
39	2.1011.106.2	1	nut m 10 p.1.5
40	04438416	1	bracket
41	2.0114.207.2	1	screw m 8 p.1.25 x 20
42	01122477	1	nut m 8 p.1.25
50	0.015.7103.0	1	gasket 60x150x18



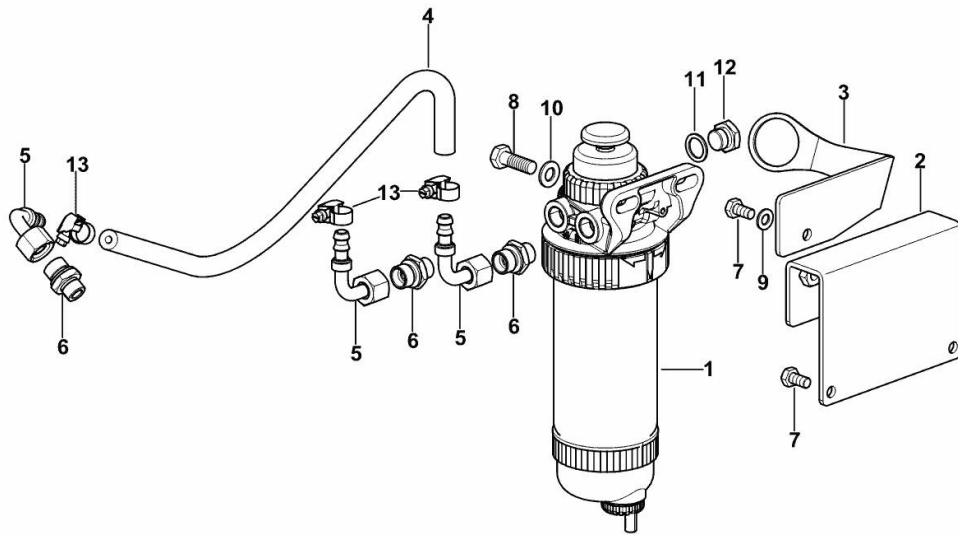
K9_F5381_00_0-B-001

FUEL PRELIMINARY FILTER

Fig.	P/n	QTY	Name
------	-----	-----	------

Notes:
[IRON 180]

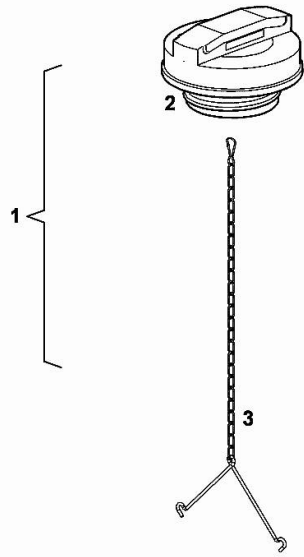
1	2.4319.290.0/10	1	precleaner ☞ 2.4319.290.0/10
2	04454761.3/20	1	bracket
3	0.016.1810.0	1	bracket
4	04454768	1	tube
5	04454253	3	pipe fitting
6	01180559	3	pipe fitting
7	2.0112.205.2	3	screw m 8 p.1.25 x 16
8	2.0112.311.2	2	screw m 10 p.1.5 x 30
9	2.1310.004.2	1	flat washer 8.4x17
10	2.1310.006.2	2	flat washer 10.5x21
11	2.1560.012.0	2	gasket 16.2 x 22
12	2.3110.404.2	2	plug m 16 p.1.5
13	2.6851.018.0	3	clamp Ø11/17



K9_F5381_51_0-A-001

SCREW PLUG

Fig.	P/n	QTY	Name
1	0.016.0151.4	1	plug
2	0.000.0000.1	1	cannot be supplied
3	0.900.0986.2	1	small chain



0.016.0151.4

PRE-FILTER - COMPONENTS

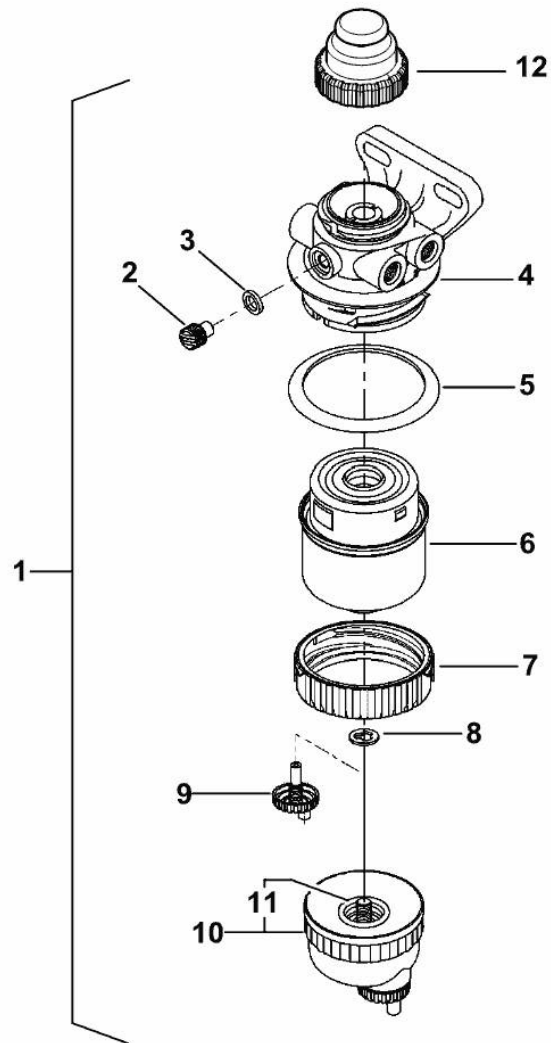


Fig.	P/n	QTY	Name
1	2.4319.290.0/10	1	precleaner
2	0.900.0789.7	1	valve
3	0.900.0789.8	1	ring
4	0.000.0000.1	1	cannot be supplied
5	0.900.0789.9	1	oil seal
6	0.900.0456.2	1	fuel filter element
7	0.900.0790.0	1	ring
8	0.900.0790.1	1	gasket
9	0.900.0790.2	1	valve
10	0.900.0790.4	1	small tank
11	0.900.0790.3	1	gasket
12	0.900.1450.6	1	small pump

2_4319_290_0_10

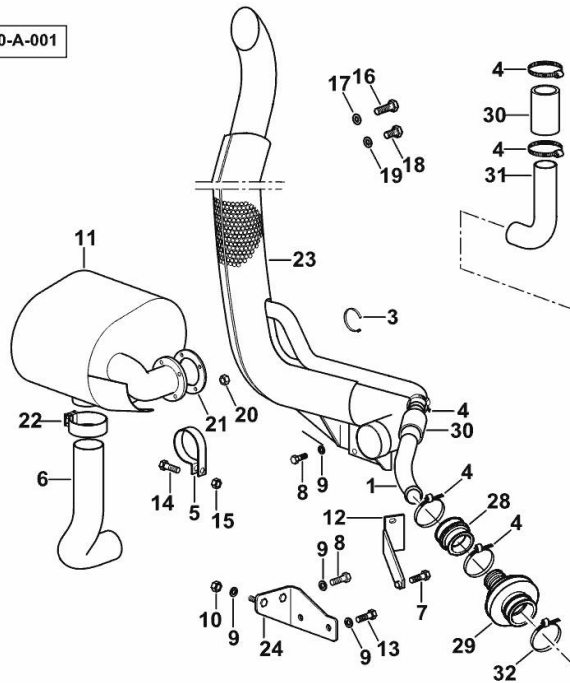
EXHAUST SILENCER

Fig.	P/n	QTY	Name
------	-----	-----	------

Notes:
[IRON 180]

1	04451135	1	primer
3	2.6852.203.0	1	clamp 292 x 4.8
4	2.6851.004.0	5	clamp Ø 32/50
5	04422728	1	fascia
6	04436010	1	manifold
7	01111308	1	screw m 10 x 50
8	2.0114.413.2	4	screw m 12 x 35
9	01174738	7	flat washer 12.5x26x6
10	2.1011.107.2	2	nut m 12 p.1.75
11	04436007	1	silencer
12	04437930	1	bracket
13	2.0122.467.2	1	screw m 12 p.1.25x45
14	01112429	2	screw m 10 x 30, d933
15	2.1011.006.2	3	nut m 10 p.1.5
16	2.0114.307.2	2	screw m 10 x 20, d933
17	01140501	1	washer 10.5
18	01112307	2	screw m 8 p.1.25 x 15, d933
19	2.1310.004.2	2	flat washer 8.4x17
20	01144673	4	nut
21	04209203	1	gasket
22	04427255	1	clamp
23	04436011.4/20	1	exhaust pipe
24	0.015.3755.3	1	support
28	04450656	1	adapter
29	04450649	1	adapter
30	04432016	2	rubber sleeve
31	04450659	1	tube
32	2.6851.019.0	1	clamp Ø 13/20

K9_D3856_00_0-A-001



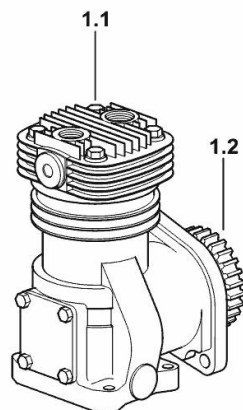
AIR COMPRESSOR 229 cm³

Fig.	P/n	QTY	Name
------	-----	-----	------

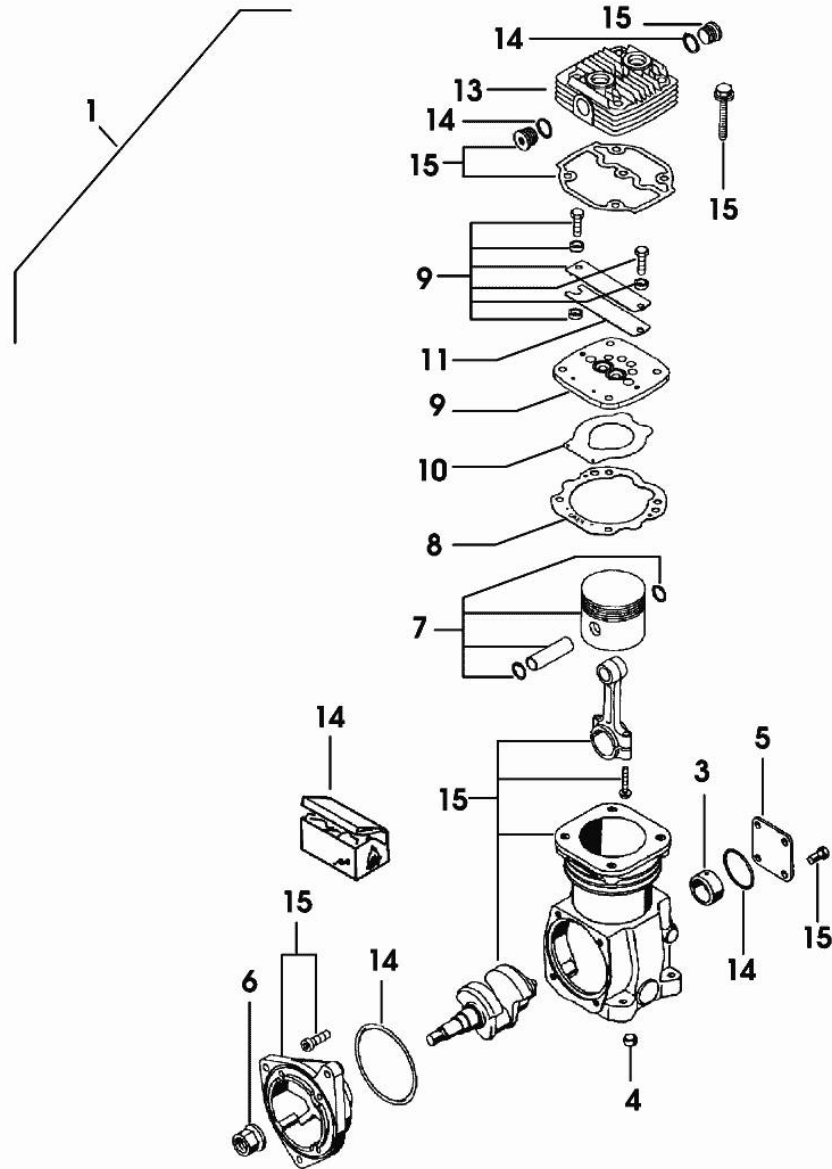
Notes:
[IRON 180]

1.1	04428408.4	1	air compressor 229 cm ³ ☞ 04428408.4
1.2	04295536	1	gear Z = 43

K9_F5289_15_0-A-001



COMPRESSOR-PARTS

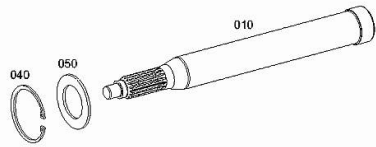


0442_6744_4

Fig.	P/n	QTY	Name
1	04428408.4	1	air compressor 229 cm ³
3	04436267	1	bushing
4	01151194	2	cover
5	04436268	1	cover
6	04436276	1	nut
7	04436269	1	piston
8	04436270	1	gasket
9	04436271	1	valve
10	04436272	1	thin plate
11	04436273	1	thin plate
13	04436275	1	cover
14	04436277	1	sub-assy parts
15	0.000.0000.1		cannot be supplied

GEARBOX INPUT SHAFT - 2093 009 061

Fig.	P/n	QTY	Name
10	04416810	1	transmission shaft
40	0.010.2883.2	1	circlip 85x3
50	04415635	1	washer





Suggest:

For more complete manuals. Please go to the home page.

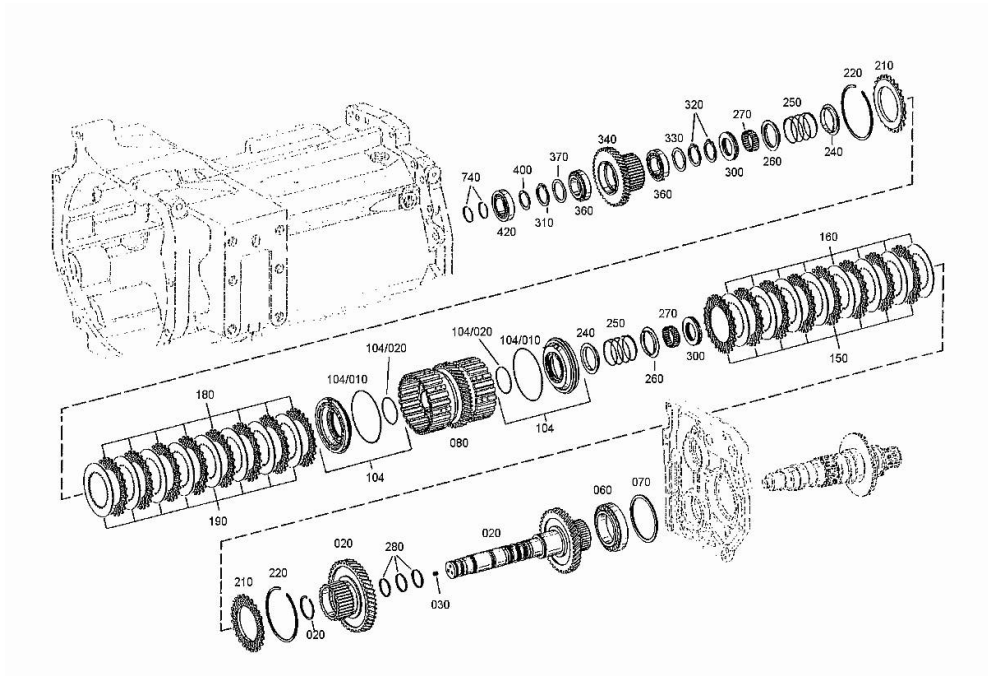
<https://www.ebooklibonline.com>

If the above button click is invalid. Please download this document first, and then click the above link to download the complete manual.

Thank you so much for reading

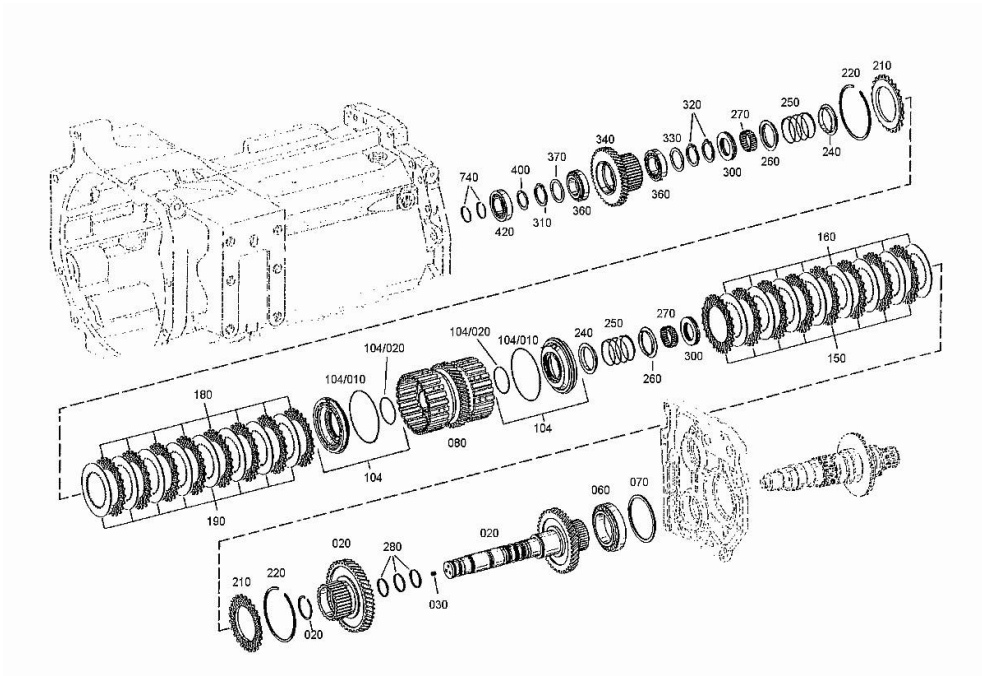
Section: D0 - TRANSMISSION
SPLITTER - 2093 009 061

Fig.	P/n	QTY	Name
20	0.900.0487.8	1	shaft
30	0.900.0067.3	2	plug
60	04415989	1	bearing
70	04417057	1	washer mm 2.70
70	04417058	1	washer mm 2.65
70	04417059	1	washer mm 2.60
70	04417060	1	washer mm 2.55
70	04417061	1	washer mm 2.50
70	04417062	1	washer mm 2.45
70	04417063	1	washer mm 2.40
70	04417064	1	washer mm 2.35
70	04417065	1	washer mm 2.30
70	04417066	1	washer mm 2.25
70	04417067	1	washer mm 2.20
70	04417068	1	washer mm 2.15
70	04417069	1	washer mm 2.10
70	04417070	1	washer mm 2.05
70	04417071	1	washer mm 2.0
70	04417072	1	washer mm 1.95
70	04417073	1	washer mm 1.9
70	04417074	1	washer mm 1.85
70	04417075	1	washer mm 1.80
80	04417241	1	spring holder Z = 43
104	04431746	4	piston
104.40	04419762	1	oil seal 104x3
104.50	04419763	1	oil seal 50x3
150	04416760	9	clutch plate AV 35
160	04416967	9	clutch plate
180	04416760	9	clutch plate AV 35
190	04416967	9	clutch plate
210	04416763	4	disc
220	0.900.0801.9	4	circlip A=2,75
220	0.900.0802.0	4	circlip A=3,25
220	0.900.0802.1	4	circlip A=2,25
220	0.900.1380.3	4	circlip
220	04416765	4	circlip A = 2.0
220	04416766	4	circlip A = 2.5
220	04416767	4	circlip A = 3.0
220	04416768	4	circlip A = 3.5
240	04416953	4	ring
250	04416759	4	spring
260	04416954	4	ring
270	04416955	4	roller cage
280	04416956	6	ring 38/35.2x2



Section: D0 - TRANSMISSION
SPLITTER - 2093 009 061

Fig.	P/n	QTY	Name
300	04416957	4	bearing
310	04416951	2	circlip
320	0.010.3347.1	5	circlip 38x2.5
330	04416969	1	ring mm 1.5
340	04427566	1	gear z = 36/39
360	04416950	4	bearing
370	0.010.2886.0	2	washer mm 1.175
370	0.010.2886.1	2	washer mm 1.15
370	0.900.1378.4	2	washer
370	04416969	2	ring mm 1.5
370	04417016	2	washer mm 1.2
370	04417017	2	washer mm 1.25
370	04417018	2	washer mm 1.30
370	04417019	2	washer mm 1.35
370	04417020	2	washer mm 1.4
370	04417021	2	washer mm 1.45
370	04417023	2	washer mm 1.55
370	04417024	2	washer mm 1.60
370	04417025	2	washer mm 1.65
370	04417026	2	washer mm 1.7
370	04417027	2	washer mm 1.75
370	04417028	2	washer mm 1.80
370	04417029	2	shim mm 1.225
370	04417030	2	shim mm 1.275
370	04417031	2	shim mm 1.325
370	04417032	2	shim mm 1.375
370	04417033	2	shim mm 1.425
370	04417034	2	shim mm 1.475
370	04417035	2	shim mm 1.525
370	04417036	2	shim mm 1.575
370	04417037	2	shim mm 1.625
370	04417038	2	shim mm 1.675
370	04417039	2	shim mm 1.725
370	04417040	2	shim mm 1.775
400	04416762	1	disc
420	04416358	1	roller bearing
510	0.900.0122.2	1	shaft Z = 29
520	0.900.0498.4	3	plug
550	04427567	1	gear Z = 32 / Z = 36
560	04417244	1	spring holder Z = 46
580	04416760	9	clutch plate AV 35
590	04416967	9	clutch plate
600	04416760	9	clutch plate AV 35
620	04416967	9	clutch plate



<https://www.ebooklibonline.com>

Hello dear friend!

Thank you very much for reading.

Enter the link into your browser.

The full manual is available for immediate download.

<https://www.ebooklibonline.com>