

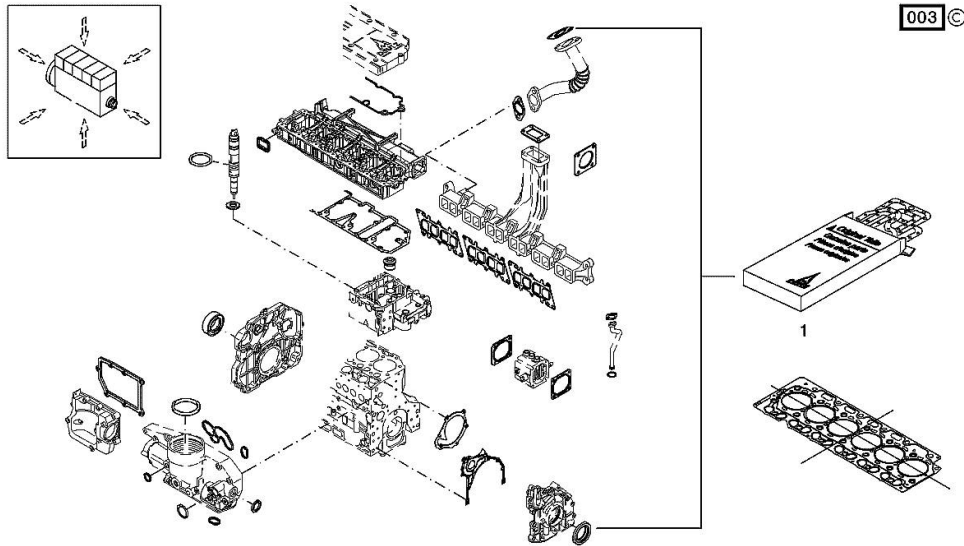
Section: B0 - ENGINE
SERIE GUARNIZIONI

Fig.	P/n	QTY	Name
------	-----	-----	------

Notes:
 [IRON 160 DCR 4V]

Engine serial number:
 10887556 10897211 10900894 10918057 10936424 10947799 10965673 11011838 11091218 11091242 11091248
 11091249 11146127 11150509 11151843 11152267 11158297 11158922 11161497 11170202 11170207 11305972
 11308448

1	02937590	1	gasket set THE KIT DOES NOT CONTAIN ALL THE GASKETS: SEE SM 0199-99-9449
---	----------	---	--

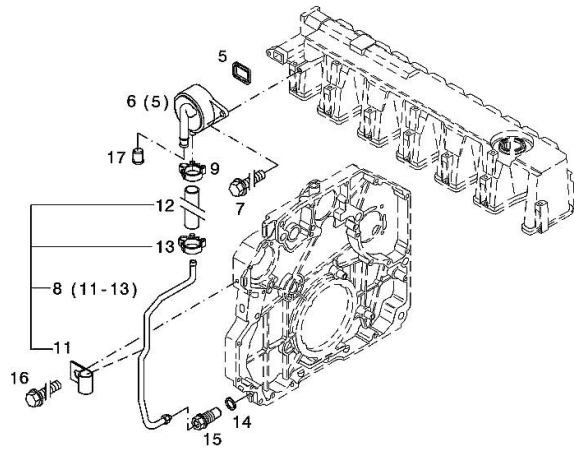
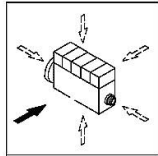


Section: B0 - ENGINE
CRANKCASE BREATHER

Fig.	P/n	QTY	Name
------	-----	-----	------

Notes:
 [IRON 160 DCR 4V]

Engine serial number:
 10887556 10897211 10900894 10918057 10936424 10947799 10965673 11011838 11091218 11091242 11091248
 11091249 11146127 11150509 11151843 11152267 11158297 11158922 11161497 11170202 11170207 11305972
 11308448



002 ©

5	04298547	1	rubber plug
6	04905110	1	breather WITH POS.... (5)
7	01181432	2	screw m8x30 EN 1662 -F-M8X30-10.9-ZNAL-A
8	04504875	1	tube WITH POS.... 11-13
9	01182878	1	fascia H 3461 -F-13,0/8
11	02144961	1	fascia
12	04288505	1	rubber tube H 3407 -F8X14X97-EAM/ARAMID/EAM
13	01182878	1	fascia H 3461 -F-13,0/8
14	01118737	1	oil seal 22 x 27 DIN 7603 -A22X27-CU
15	04505853	1	pipe union
16	01181442	1	screw m6x12 EN 1662 -F-M6X12-10.9-ZNAL-A
17	01161302	1	bottom H 2873 -A25,5X22,8X17-PEWEICH

Section: B0 - ENGINE

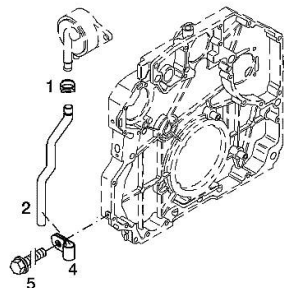
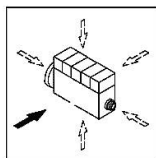
BLEEDING TUBE

Fig.	P/n	QTY	Name
------	-----	-----	------

Notes:
[IRON 160 DCR 4V]

Engine serial number:
10887556 10897211 10900894 10918057 10936424 10947799 10965673 11011838 11091218 11091242 11091248
11091249 11146127 11150509 11151843 11152267 11158297 11158922 11161497 11170202 11170207 11305972
11308448

1	01178750	1	clamp DIN 3021 -A-29X15
2	04290751	1	tube
4	01173523	1	fascia DIN 3016 -1-A1-25X20-W1-2
5	01181433	1	screw EN 1662 -F-M8X20-LG2,5-10.9-ZNAL-A



<https://www.ebooklibonline.com>

Hello dear friend!

Thank you very much for reading.

Enter the link into your browser.

The full manual is available for immediate download.

<https://www.ebooklibonline.com>

Section: B0 - ENGINE

CRANKCASE

Fig.	P/n	QTY	Name
------	-----	-----	------

Notes:

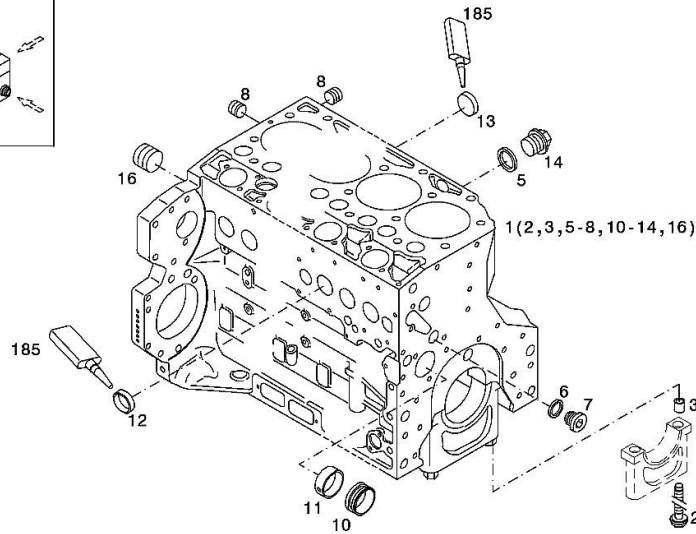
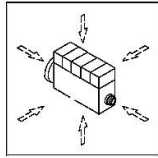
[IRON 160 DCR 4V]

Engine serial number:

10887556 10897211 10900894 10918057 10936424 10947799 10965673 11011838 11091218 11091242 11091248
11091249 11146127 11150509 11151843

1	04296592	1	crankcase WITH POS.... (2,3,5-8,10-14,16)
2	04254240	14	screw
3	04160764	14	bushing
5	01118693	2	gasket 14x20 DIN 7603 -A14X20-CU
6	01101342	1	oil seal DIN 7603 -D22X27-CU
7	04292706	1	plug
8	01182031	2	screw H 2812 -906-M14X1,5-ST-A3C-LOCTITE506
10	04251884	6	plug
11	04250086	1	ring
12	01148032	9	cover DIN 443 -A45-ZNPHR
13	01148031	5	plug DIN 443 -A36-ZNPHR
14	01100940	2	screw DIN 7604 -AM14X1,5-ST-A4C
16	04226536	1	bottom
185	01016125	1	guard H 0699 -DEUTZDW72-250ML

000 ©

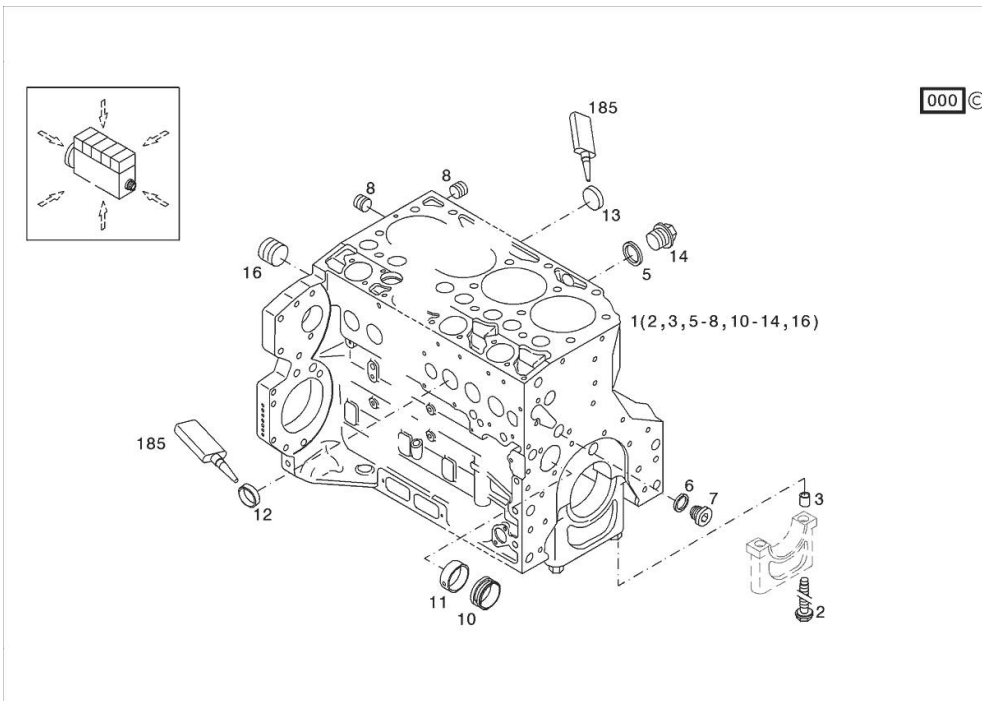


Section: B0 - ENGINE
KURBELGEHAEUSE

Fig.	P/n	QTY	Name
------	-----	-----	------

Notes:
 [IRON 160 DCR 4V]

Engine serial number:
 11152267 11158297 11158922 11161497 11170202 11170207 11305972 11308448



185	01319910	1	guard
1	04506857	1	crankcase
2	04254240	14	screw 50 Nm , 90° , 90°
3	04160764	14	bushing
5	01118693	2	gasket 14x20 DIN 7603 -A14X20-CU
6	01101342	1	oil seal DIN 7603 -D22X27-CU
7	04292706	1	plug 80 Nm
8	01182031	2	screw 35 Nm H 2812 -906-M14X1,5-ST-A3C-LOCTITE506
10	04251884	6	plug
11	04250086	1	ring
12	01148032	9	cover DIN 443 -A45-ZNPHR
13	01148031	5	plug DIN 443 -A36-ZNPHR
14	01100940	2	screw 35 Nm DIN 7604 -AM14X1,5-ST-A4C
16	04226536	1	bottom 30 Nm

ACCESSORIES

Fig.	P/n	QTY	Name
------	-----	-----	------

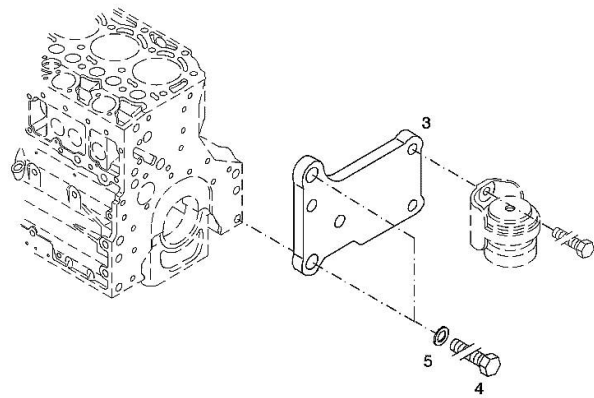
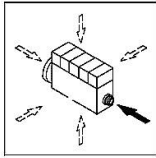
Notes:
[IRON 160 DCR 4V]

Engine serial number:

10887556 10897211 10900894 10918057 10936424 10947799 10965673 11011838 11091218 11091242 11091248
11091249 11146127 11150509 11151843 11152267 11158297 11158922 11161497 11170202 11170207 11305972
11308448

3	04288659	1	support
4	01148261	2	screw ISO 4017 -M16X40-10.9-ZNAL-A
5	01181400	2	washer H 2308 -18X25X1,5-A4C

006 ©



ACCESSORIES

Fig.	P/n	QTY	Name
------	-----	-----	------

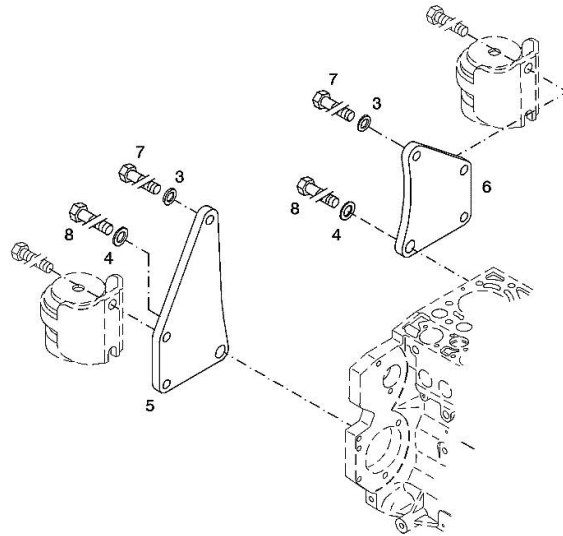
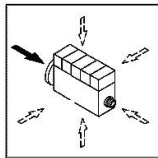
Notes:
[IRON 160 DCR 4V]

Engine serial number:

10887556 10897211 10900894 10918057 10936424 10947799 10965673 11011838 11091218 11091242 11091248
11091249 11146127 11150509 11151843 11152267 11158297 11158922 11161497 11170202 11170207 11305972
11308448

003 ©

3	01182016	2	disc H 2308 -13X24X3-ZNAL-A
4	01181400	2	washer H 2308 -18X25X1,5-A4C
5	04206926	1	plate dx/rh/re
6	04206927	1	plate sx/lh/li
7	01148137	2	screw - UP TO MONTH OF ASSEMBLY (A) - FROM MONTH OF ASSEMBLY SEE POS. (B) A = 06.2009 B = POS. 950 DIN 931 -M12X75-10.9-ZNAL-A
8	01148037	2	screw UP TO MONTH OF ASSEMBLY (A) - FROM MONTH OF ASSEMBLY SEE POS. (B) A = 06.2009 B = POS. 951 ISO 4014 -M16X75-10.9-OELGESCHW
950	01149017	2	screw - FROM MONTH OF ASSEMBLY SEE POS. (B) - UP TO MONTH OF ASSEMBLY (A) FROM MONTH OF ASSEMBLY A = 07.2009 B = 7 DIN 34800 -BM12X75-10.9-ZNAL-A
951	01180235	2	screw - FROM MONTH OF ASSEMBLY SEE POS. (B) - UP TO MONTH OF ASSEMBLY (A) FROM MONTH OF ASSEMBLY A = 07.2009 B= Pos.8 H 2032 -HBM16X75-10.9-GESCHW



ACCESSORIES

Fig.	P/n	QTY	Name
------	-----	-----	------

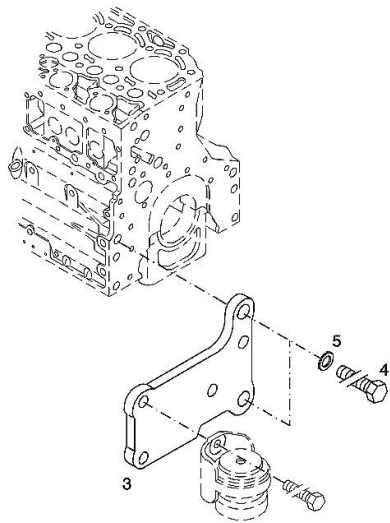
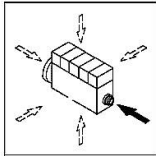
Notes:
[IRON 160 DCR 4V]

Engine serial number:

10887556 10897211 10900894 10918057 10936424 10947799 10965673 11011838 11091218 11091242 11091248
11091249 11146127 11150509 11151843 11152267 11158297 11158922 11161497 11170202 11170207 11305972
11308448

3	04288660	1	support
4	01148261	2	screw ISO 4017 -M16X40-10.9-ZNAL-A
5	01181400	2	washer H 2308 -18X25X1,5-A4C

003 ©



Section: B0 - ENGINE
OIL FILLER NECK

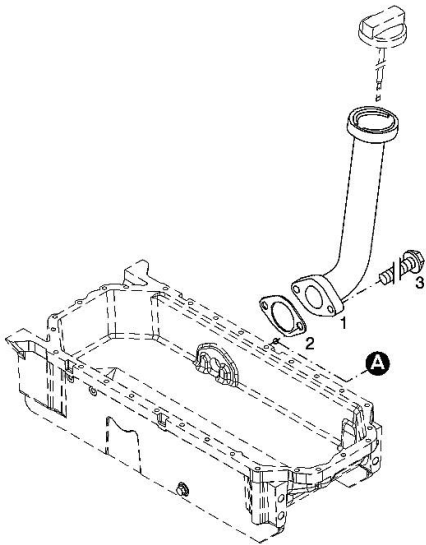
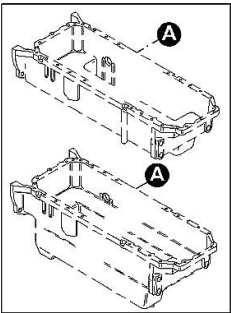
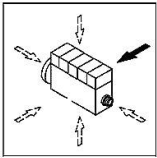
Fig.	P/n	QTY	Name
------	-----	-----	------

Notes:
 [IRON 160 DCR 4V]

Engine serial number:
 10887556 10897211 10900894 10918057 10936424 10947799 10965673 11011838 11091218 11091242 11091248
 11091249 11146127 11150509 11151843 11152267 11158297 11158922 11161497 11170202 11170207 11305972
 11308448

1	04207099	1	tube
2	01178421	1	gasket
3	01181433	2	screw
			30 Nm

001 ©

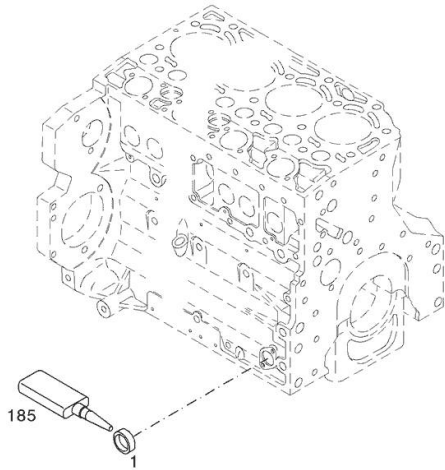
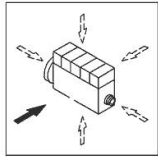


PLUG

Fig.	P/n	QTY	Name
------	-----	-----	------

Notes:
[IRON 160 DCR 4V]

1	01148031	1	plug DIN 443 -A36-ZNPHR
185	01319911	1	sealing compound ml. 50



Section: B0 - ENGINE

PISTON COOL.NOZZLE

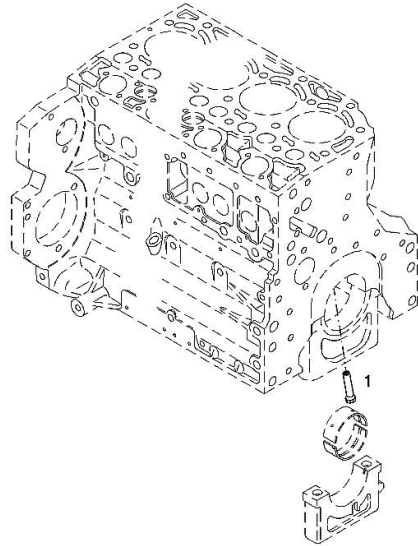
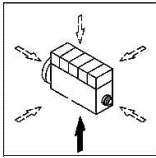
Fig.	P/n	QTY	Name
------	-----	-----	------

Notes:
[IRON 160 DCR 4V]

Engine serial number:
10887556 10897211 10900894 10918057 10936424 10947799 10965673 11011838 11091218 11091242 11091248
11091249 11146127 11150509 11151843 11152267 11158297 11158922 11161497 11170202 11170207 11305972
11308448

1	04207521	1	sprayers
---	----------	---	----------

001 ©



FILLER CAP

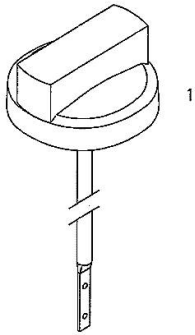
Fig.	P/n	QTY	Name
------	-----	-----	------

Notes:
[IRON 160 DCR 4V]

Engine serial number:
10887556 10897211 10900894 10918057 10936424 10947799 10965673 11011838 11091218 11091242 11091248
11091249 11146127 11150509 11151843 11152267 11158297 11158922 11161497 11170202 11170207 11305972
11308448

1	01180341	1	plug H 2875 -B2-OL40-166X4X145X15
---	----------	---	--------------------------------------

000



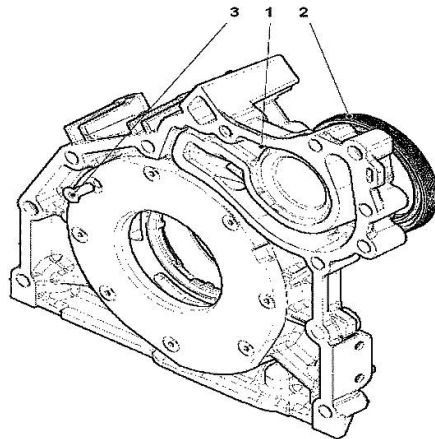
FLANGE

Fig.	P/n	QTY	Name
------	-----	-----	------

Notes:
[IRON 160 DCR 4V]

Engine serial number:
11091218 11091242 11091248 11091249 11146127 11150509 11151843 11152267 11158297 11158922 11161497
11170202 11170207 11305972 11308448

1	04502445	1	oil pump WITH POS.... (2,3)
2	04502202	1	special oil seal
3	01133718	8	screw 8.5 Nm DIN 7991 -M6X16-8.8-A4C



000



Suggest:

For more complete manuals. Please go to the home page.

<https://www.ebooklibonline.com>

If the above button click is invalid. Please download this document first, and then click the above link to download the complete manual.

Thank you so much for reading

CLOSING COMPONENTS

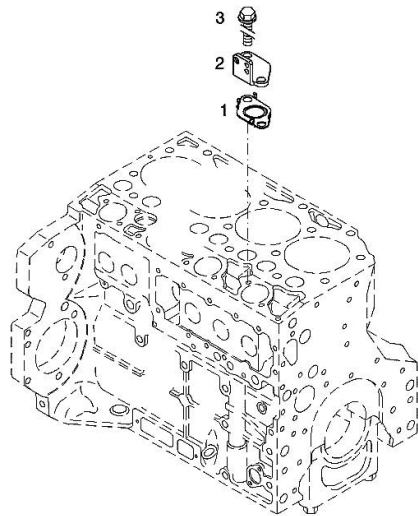
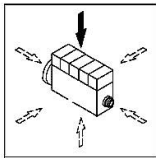
Fig.	P/n	QTY	Name
------	-----	-----	------

Notes:
[IRON 160 DCR 4V]

Engine serial number:

10887556 10897211 10900894 10918057 10936424 10947799 10965673 11011838 11091218 11091242 11091248
11091249 11146127 11150509 11151843 11152267 11158297 11158922 11161497 11170202 11170207 11305972
11308448

1	04292757	1	gasket
2	04292113	1	bracket
3	01181436	2	screw
EN 1662 -F-M8X16-LG2,5-10.9-ZNAL-A			



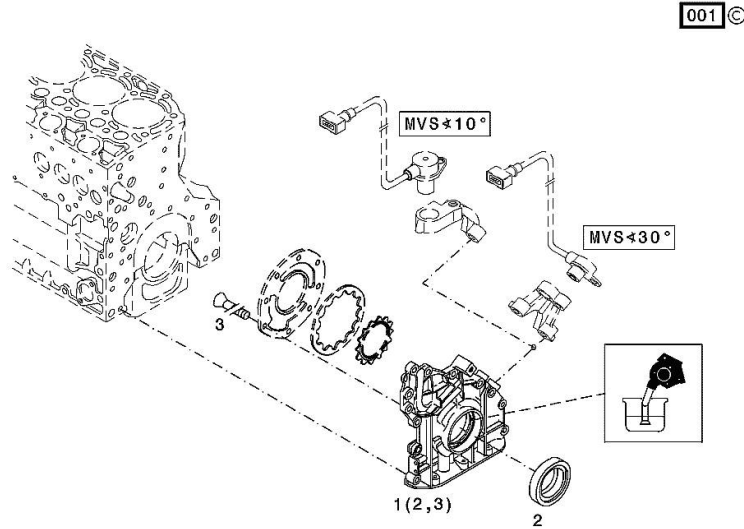
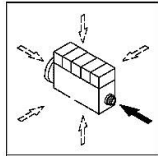
FLANGE

Fig.	P/n	QTY	Name
------	-----	-----	------

Notes:
[IRON 160 DCR 4V]

Engine serial number:
10887556 10897211 10900894 10918057 10936424 10947799 10965673 11011838

1	04258382	1	oil pump kpl. WITH POS.... (2,3)
2	04253372	1	oil seal
3	01133718	1	screw DIN 7991 -M6X16-8.8-A4C



<https://www.ebooklibonline.com>

Hello dear friend!

Thank you very much for reading.

Enter the link into your browser.

The full manual is available for immediate download.

<https://www.ebooklibonline.com>