

DRIVEN FRONT AXLE - 359579

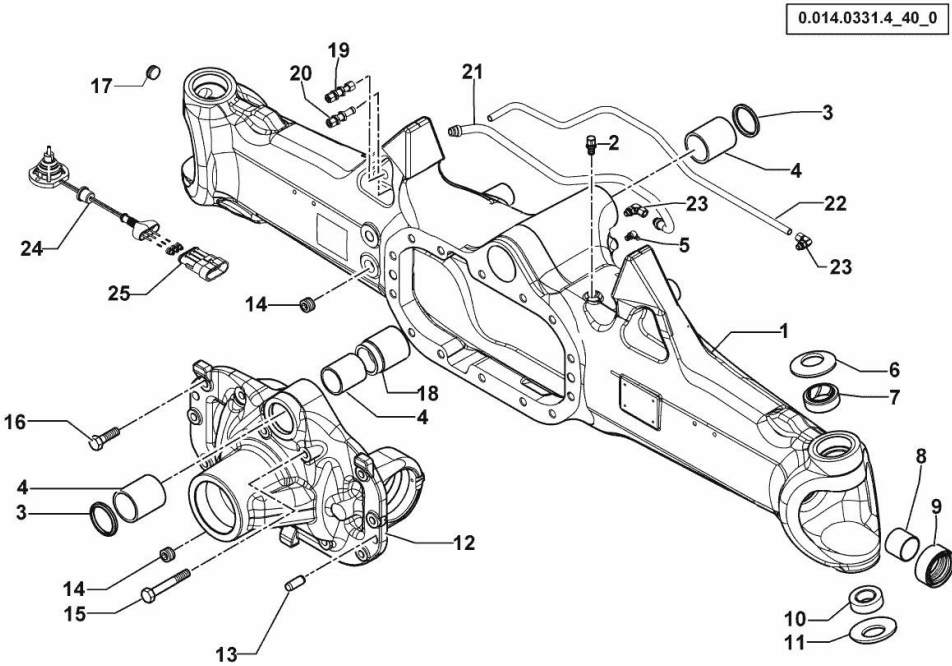


Fig.	P/n	QTY	Name
1	0.900.0965.1	1	front axle
2	0.900.0079.8	1	breather m 10 p.1
3	0.900.0079.9	2	circlip
4	0.900.0080.0	3	bushing
5	0.900.0080.1	1	grease gun m 8 p.1, 45°
6	0.900.0080.2	2	spring
7	0.900.0080.3	2	bushing
8	0.900.0080.4	2	bushing
9	0.900.0912.6	2	oil seal 40x65x27,5
10	0.900.0080.6	2	bearing
11	0.900.0080.7	2	spring
12	0.900.0960.4	1	support
13	0.900.0081.0	2	pin Ø 15x45
14	0.900.0081.1	2	plug m 24 p.1.5
15	0.900.0081.2	2	screw m 14x75
16	0.900.0081.3	12	screw m14 x 40
17	0.900.0081.6	1	plug m 26 p.1.5
18	0.900.0082.2	1	bushing
19	0.900.0081.7	1	pipe fitting
20	0.900.0081.8	1	pipe fitting
21	0.900.0965.2	1	tube
22	0.900.0965.3	1	tube
23	0.900.0107.0	1	pipe fitting
24	0.900.0504.8	1	sensor - KIT
25	0.900.0081.5	2	connector

STEERING CYLINDER - 359579

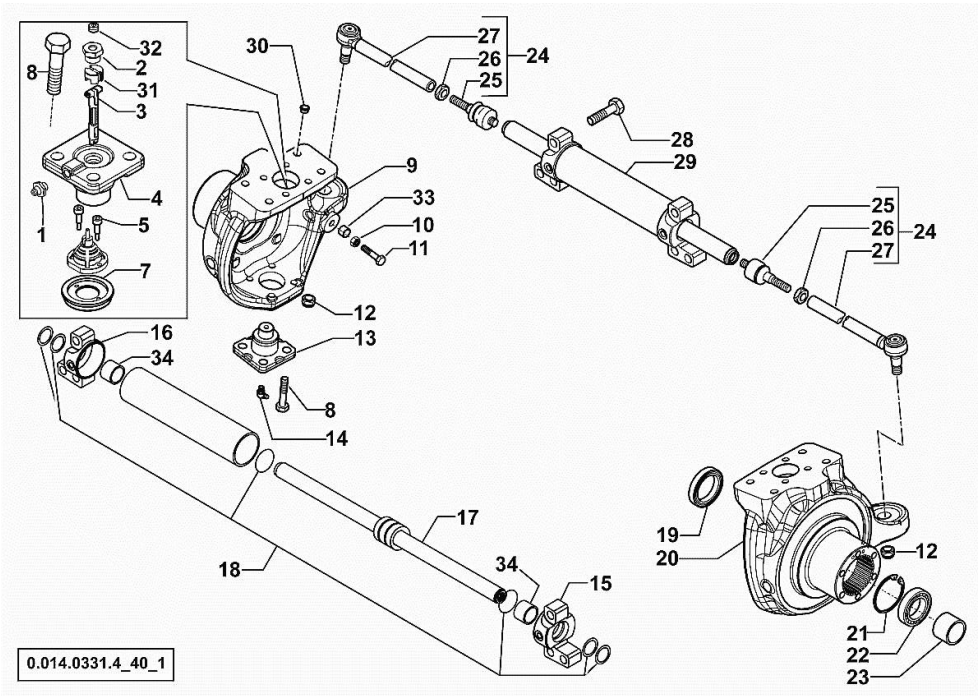
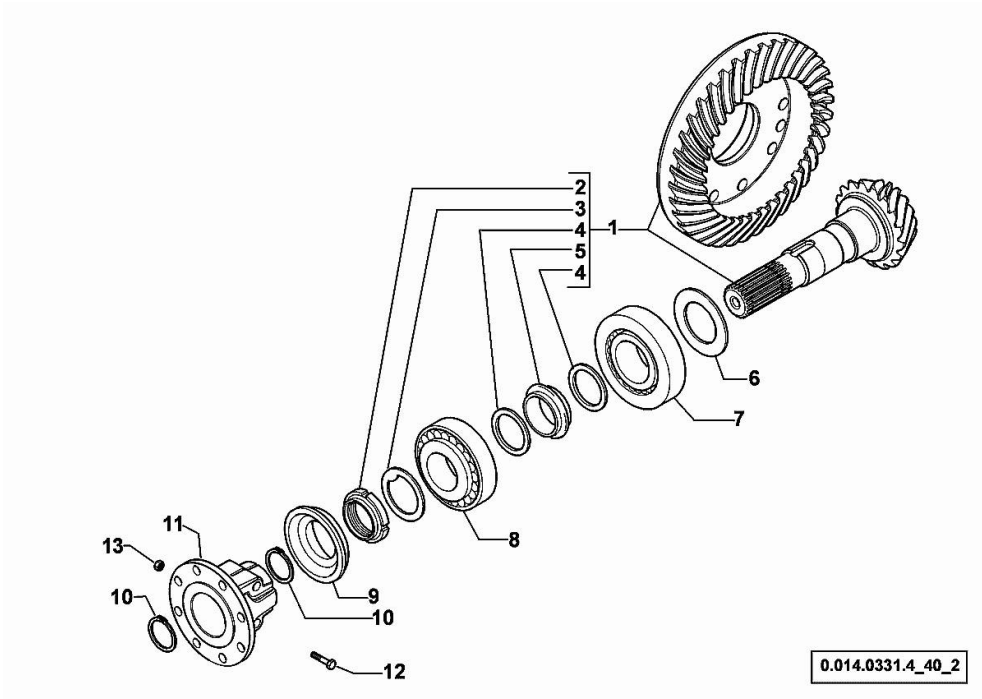


Fig.	P/n	QTY	Name
1	0.900.0542.4	2	grease gun m 6 p.1
2	0.900.0082.4	2	screw m 20 p.1.5
3	0.900.0502.3	1	shaft
4	0.900.0502.5	2	pin
5	0.900.0082.7	2	screw m 4 x 10
7	0.900.0865.2	1	cover
8	0.900.0082.9	16	screw m 14 x 35
9	0.900.0118.0	1	fork sx/lh/li
10	0.900.0083.1	2	nut m 14
11	0.900.0948.6	2	screw m 14
12	0.900.0083.3	2	nut m 20 p.1
13	0.900.0083.4	2	pin
14	0.900.0083.5	2	grease gun m 6 p.1, 45°
15	0.900.0107.1	1	fork dx/rh/re
16	0.900.0107.2	1	fork sx/lh/li
17	0.900.0107.3	1	stem
18	0.900.0107.4	1	gasket set
19	0.900.0083.9	2	oil seal 56x80x13/14,5
20	0.900.0118.1	1	fork dx/rh/re
21	0.900.0112.0	2	circlip
22	0.900.0112.1	2	bearing
23	0.900.0112.2	2	spacer
24	0.900.0107.6	2	rod
			COMPLETE (25, 26 & 27)
25	0.900.0084.5	2	ball joint
26	0.900.0084.6	2	nut m 24x10
27	0.900.0107.7	2	rod
28	0.900.0105.9	6	screw m 20x80
29	0.900.0107.8	1	jack
30	0.900.0085.0	8	plug
31	0.900.0961.2	1	small block
32	0.900.0894.3	2	plug
33	0.900.0948.7	2	bush
34	0.900.1363.8	2	bushing

BEVEL WHEEL GEAR - 359579

Fig.	P/n	QTY	Name
1	0.900.0108.0	1	bevel drive Z = 14/37 COMPLETE (2, 3, 4 & 5)
2	0.900.0085.5	1	ring nut m 40 p.1.5
3	0.900.0085.6	1	washer
4	0.900.0085.7	2	washer
5	0.900.0108.1	1	spacer
6	0.900.0108.2		shim 2.50
6	0.900.0108.3		shim 2.60
6	0.900.0108.4		shim 2.70
6	0.900.0108.5		shim 2.80
6	0.900.0108.6		shim 3.00
6	0.900.0108.7		shim 2.90
6	0.900.0108.8		shim 3.10
6	0.900.0108.9		shim 3.20
6	0.900.0109.0		shim 3.30
6	0.900.0109.1		shim 3.40
7	0.900.0109.2	1	bearing
8	0.900.0086.9	1	bearing
9	0.900.0087.0	1	oil seal 35x92/98x13/27
10	0.900.0087.1	2	circlip d = 35
11	0.900.0960.5	1	flange
12	0.900.0960.9	2	screw
13	0.900.0961.0	2	nut



<https://www.ebooklibonline.com>

Hello dear friend!

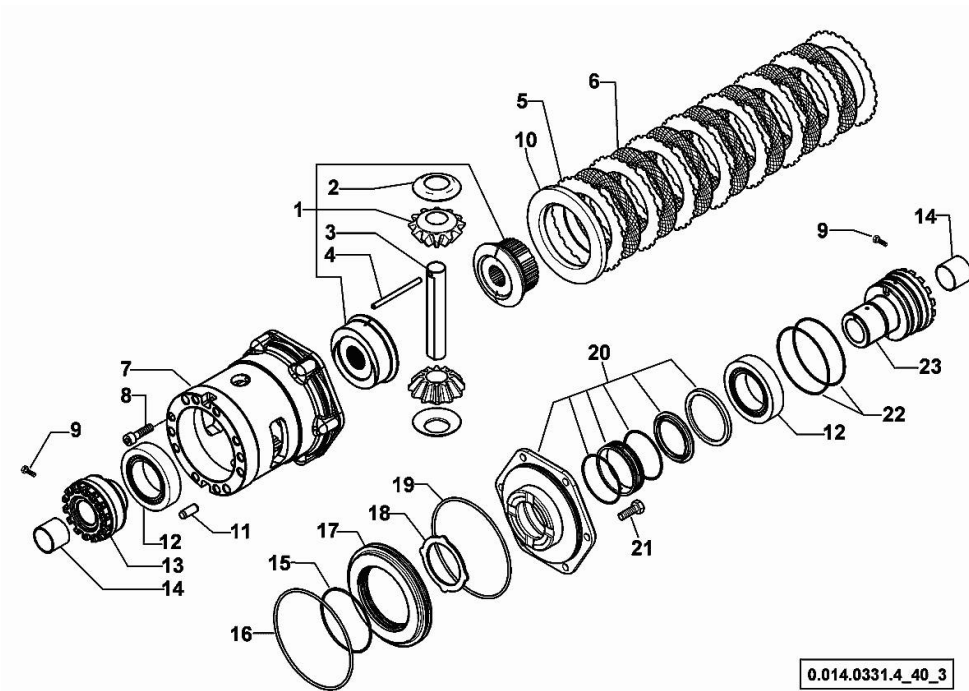
Thank you very much for reading.

Enter the link into your browser.

The full manual is available for immediate download.

<https://www.ebooklibonline.com>

Section: F0 - FRONT AXLE
DIFFERENTIAL - 359579

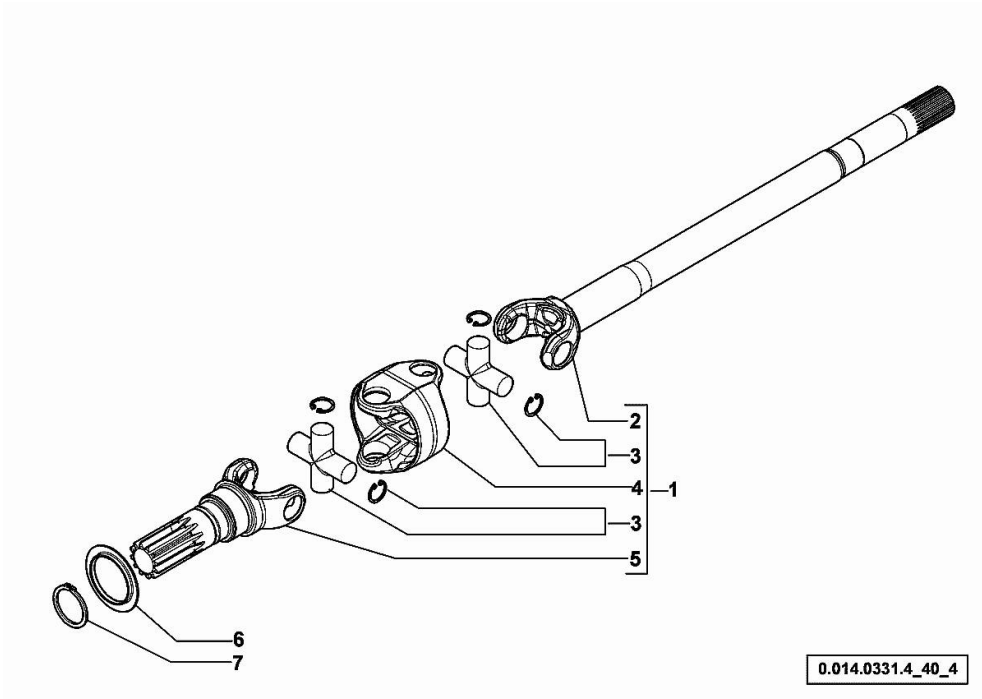


0.014.0331.4_40_3

Fig.	P/n	QTY	Name
1	0.900.0109.4	1	gear COMPLETE (2, 3 & 4)
2	0.900.0109.5	2	slewing ring
3	0.900.0109.6	1	pin
4	0.900.0109.7	1	pin Ø 6 x 86
5	0.900.0087.7	8	disc
6	0.900.0087.8	7	disc
7	0.900.0109.8	1	box
8	0.900.0088.0	10	screw m 12 x 35
9	0.900.0088.1	2	screw m 6 x 25
10	0.900.0090.0	1	disc
11	0.900.0088.3	2	pin Ø 12 x 28
12	0.900.0090.1	2	bearing
13	0.900.0109.9	1	ring nut m 94 p.1.5
14	0.900.0088.6	2	bushing
15	0.900.0088.7	1	oil seal
16	0.900.0088.8	1	oil seal
17	0.900.0088.9	1	piston
18	0.900.0089.0	1	disc
19	0.900.0089.1	1	oil seal
20	0.900.0952.0	1	cover - KIT
21	0.900.0089.3	6	screw m 10 x 35
22	0.900.0089.8	2	oil seal
23	0.900.0089.9	1	ring nut m 94 p.1.5

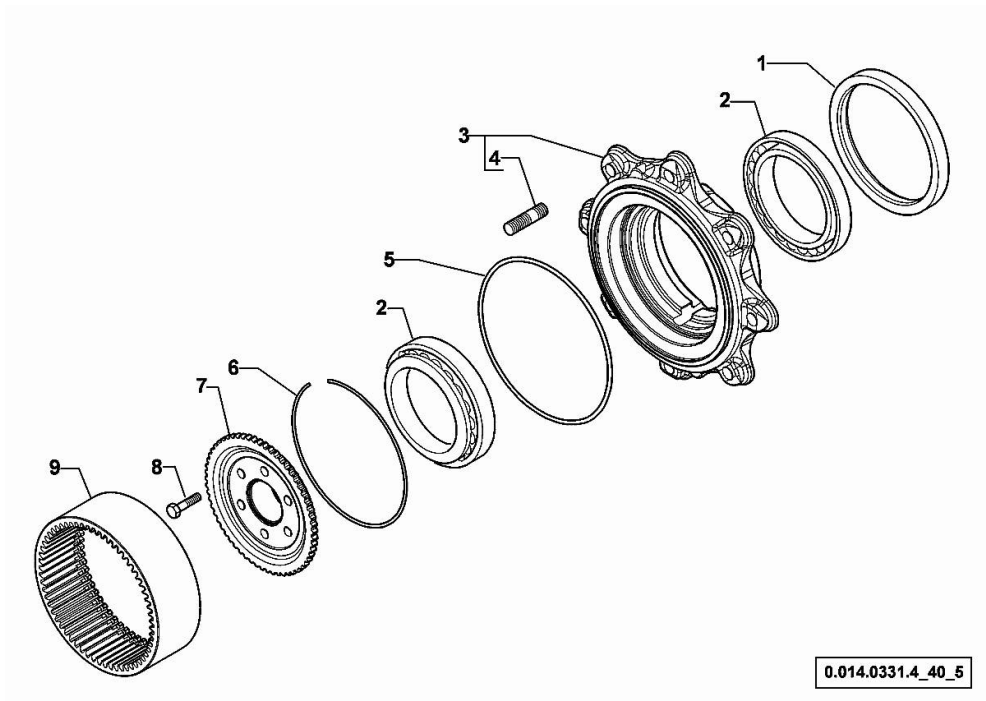
DOUBLE COUPLING - 359579

Fig.	P/n	QTY	Name
1	0.900.0912.9	1	joint dx/rh/re COMPLETE (2, 3, 4 & 5)
1	0.900.0913.0	1	joint sx/lh/li COMPLETE (2, 3, 4 & 5)
2	0.900.0965.4	1	half-shaft dx/rh/re
2	0.900.0965.5	1	half-shaft sx/lh/li
3	0.900.0572.7	4	universal joint
4	0.900.0110.5	2	box
5	0.900.0117.6	2	fork
6	0.900.0090.9	2	cover
7	0.900.0091.0	2	circlip



WHEEL HUB - 359579

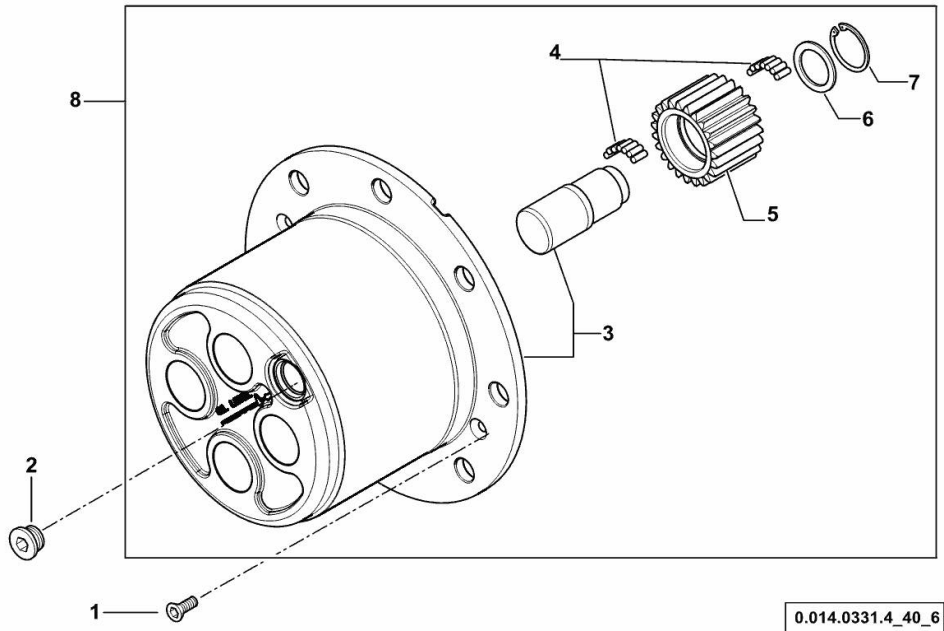
Fig.	P/n	QTY	Name
1	0.900.0115.6	2	circlip 165x195x16,5/18
2	0.900.0115.7	4	bearing
3	0.900.0531.0	2	wheel hub COMPLETE (4)
4	0.900.0091.4	16	stud bolt
5	0.900.0091.5	2	oil seal
6	0.900.0091.6	2	circlip
7	0.900.0118.9	2	hub
8	0.900.0091.8	12	screw m 12 x 45
9	0.900.0119.0	2	crown wheel Z = 60



0.014.0331.4_40_5

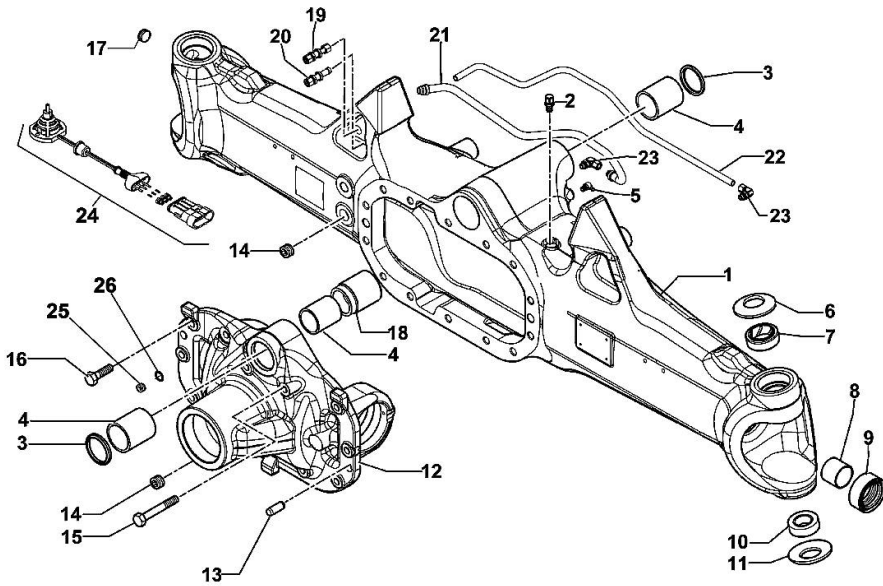
PLANETARY GEAR - 359579

Fig.	P/n	QTY	Name
1	0.900.0092.0	4	screw m 8 p.1.25 x 20
2	0.900.0092.1	2	plug m 30 p.2
3	0.900.1212.0	2	spider - KIT
4	0.900.0117.2	45	roller
5	0.900.1212.1	8	gear Z = 23
6	0.900.0092.5	8	slewing ring
7	0.900.0092.6	8	circlip
8	0.900.1193.0	2	sub-assy parts



Section: F0 - FRONT AXLE
DRIVEN FRONT AXLE

Fig.	P/n	QTY	Name
1	0.900.0965.1	1	front axle
2	0.900.0079.8	1	breather m 10 p.1
3	0.900.0079.9	2	circlip
4	0.900.0080.0	3	bushing
5	0.900.0080.1	1	grease gun m 8 p.1, 45°
6	0.900.0080.2	2	spring
7	0.900.0080.3	2	bushing
8	0.900.0080.4	2	bushing
9	0.900.0912.6	2	oil seal 40x65x27,5
10	0.900.1416.3	2	bearing
11	0.900.0080.7	2	spring
12	0.900.0960.4	1	support
13	0.900.0081.0	2	pin Ø 15x45
14	0.900.0081.1	2	plug m 24 p.1.5
15	0.900.0081.2	2	screw m 14x75
16	0.900.0081.3	12	screw m14 x 40
17	0.900.0081.6	1	plug m 26 p.1.5
18	0.900.0082.2	1	bushing
19	0.900.0081.7	1	pipe fitting
20	0.900.0081.8	1	pipe fitting
21	0.900.0965.2	1	tube
22	0.900.0965.3	1	tube
23	0.900.0107.0	2	pipe fitting
24	0.900.0504.8	1	sensor - KIT
25	0.900.1641.1	1	plug
26	0.900.0541.6	1	washer



0.014.0331.4/60_0

Section: F0 - FRONT AXLE
STEERING CYLINDER

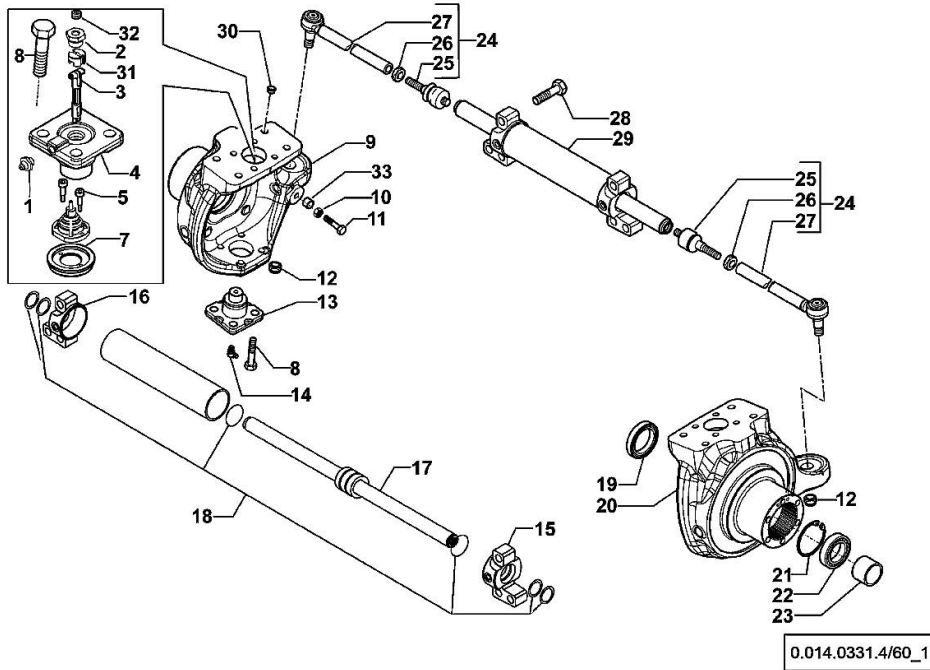
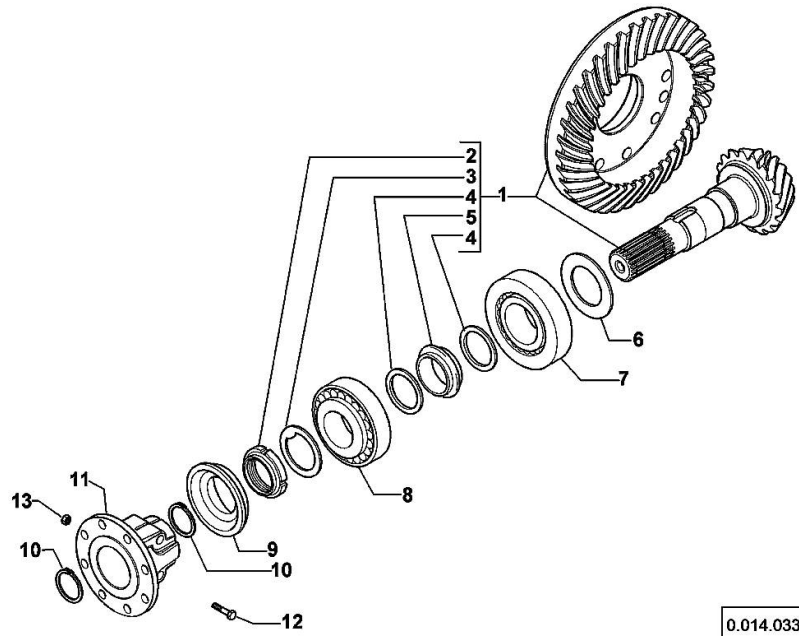


Fig.	P/n	QTY	Name
1	0.900.0542.4	2	grease gun m 6 p.1
2	0.900.0082.4	2	screw m 20 p.1.5
3	0.900.0502.3	1	shaft
4	0.900.0502.5	2	pin
5	0.900.0082.7	2	screw m 4 x 10
7	0.900.0865.2	1	cover
8	0.900.0082.9	16	screw m 14 x 35
9	0.900.0118.0	1	fork sx/lh/li
10	0.900.0083.1	2	nut m 14
11	0.900.0948.6	2	screw m 14
12	0.900.0083.3	2	nut m 20 p.1
13	0.900.0083.4	2	pin
14	0.900.0083.5	2	grease gun m 6 p.1, 45°
15	0.900.0107.1	1	fork dx/rh/re
16	0.900.0107.2	1	fork sx/lh/li
17	0.900.0107.3	1	stem
18	0.900.0107.4	1	gasket set
19	0.900.0083.9	2	oil seal 56x80x13/14,5
20	0.900.0118.1	1	fork dx/rh/re
21	0.900.0112.0	2	circlip
22	0.900.0112.1	2	bearing
23	0.900.0112.2	2	spacer
24	0.900.0107.6	2	rod
25	0.900.0084.5	2	ball joint
26	0.900.0084.6	2	nut m 24x10
27	0.900.0107.7	2	rod
28	0.900.0105.9	6	screw m 20x80
29	0.900.0107.8	1	jack
30	0.900.0085.0	8	plug
31	0.900.0961.2	1	small block
32	0.900.0894.3	2	plug
33	0.900.0948.7	2	bush

BEVEL WHEEL GEAR

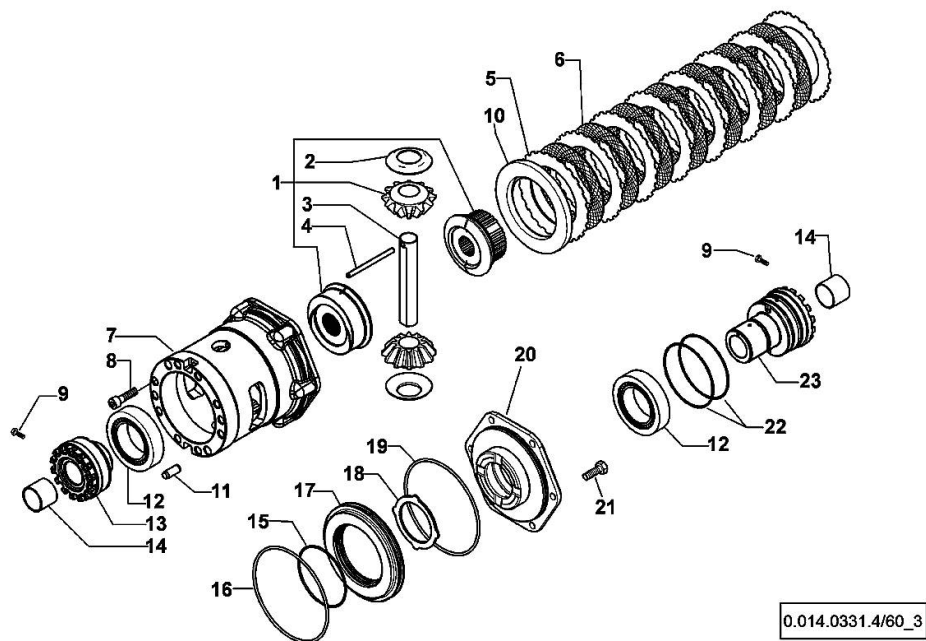
Fig.	P/n	QTY	Name
1	0.900.0108.0	1	bevel drive Z = 14/37
2	0.900.0085.5	1	ring nut m 40 p.1.5
3	0.900.0085.6	1	washer
4	0.900.0085.7	2	washer
5	0.900.0108.1	1	spacer
6	0.900.0108.2		shim 2.50
6	0.900.0108.3		shim 2.60
6	0.900.0108.4		shim 2.70
6	0.900.0108.5		shim 2.80
6	0.900.0108.6		shim 3.00
6	0.900.0108.7		shim 2.90
6	0.900.0108.8		shim 3.10
6	0.900.0108.9		shim 3.20
6	0.900.0109.0		shim 3.30
6	0.900.0109.1		shim 3.40
7	0.900.0109.2	1	bearing
8	0.900.0086.9	1	bearing
9	0.900.0087.0	1	oil seal 35x92/98x13/27
10	0.900.0087.1	2	circlip d = 35
11	0.900.0960.5	1	flange
12	0.900.0960.9	2	screw
13	0.900.0961.0	2	nut



0.014.0331.4/60_2

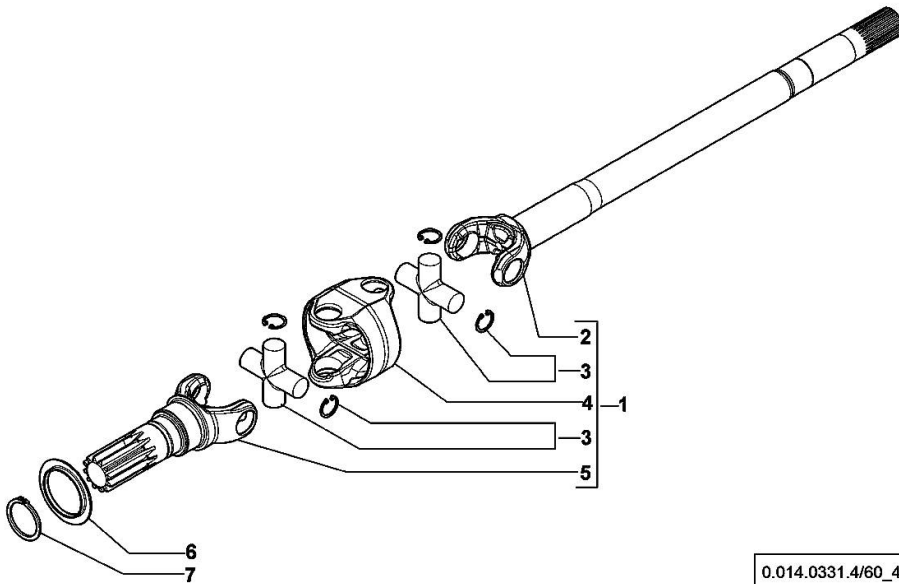
DIFFERENTIAL

Fig.	P/n	QTY	Name
1	0.900.0109.4	1	gear
2	0.900.0109.5	2	slewing ring
3	0.900.0109.6	1	pin
4	0.900.0109.7	1	pin Ø 6 x 86
5	0.900.0087.7	8	disc
6	0.900.0087.8	7	disc
7	0.900.0109.8	1	box
8	0.900.0088.0	10	screw m 12 x 35
9	0.900.0088.1	2	screw m 6 x 25
10	0.900.0090.0	1	disc
11	0.900.0088.3	2	pin Ø 12 x 28
12	0.900.0090.1	2	bearing
13	0.900.0109.9	1	ring nut m 94 p.1.5
14	0.900.0088.6	2	bushing
15	0.900.0088.7	1	oil seal
16	0.900.0088.8	1	oil seal
17	0.900.0088.9	1	piston
18	0.900.0089.0	1	disc
19	0.900.0089.1	1	oil seal
20	0.900.0952.0	1	cover - KIT
21	0.900.0089.3	6	screw m 10 x 35
22	0.900.0089.8	2	oil seal
23	0.900.0089.9	1	ring nut m 94 p.1.5



DOUBLE COUPLING

Fig.	P/n	QTY	Name
1	0.900.0912.9	1	joint dx/rh/re
1	0.900.0913.0	1	joint sx/lh/li
2	0.900.0965.4	1	half-shaft dx/rh/re
2	0.900.0965.5	1	half-shaft sx/lh/li
3	0.900.0572.7	4	universal joint
4	0.900.0110.5	2	box
5	0.900.0117.6	2	fork
6	0.900.0090.9	2	cover
7	0.900.0091.0	2	circlip



0.014.0331.4/60_4



Suggest:

For more complete manuals. Please go to the home page.

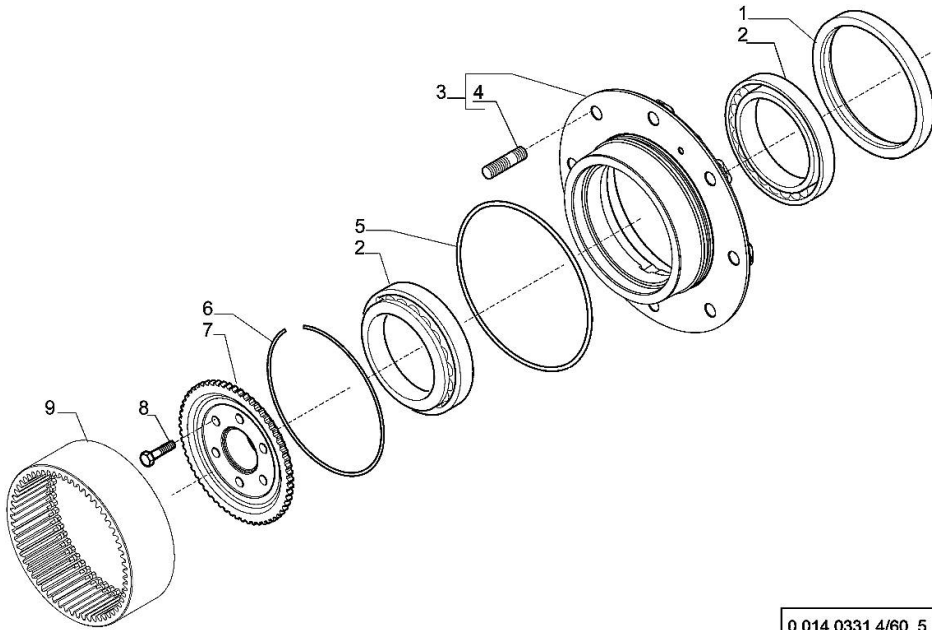
<https://www.ebooklibonline.com>

If the above button click is invalid. Please download this document first, and then click the above link to download the complete manual.

Thank you so much for reading

WHEEL HUB

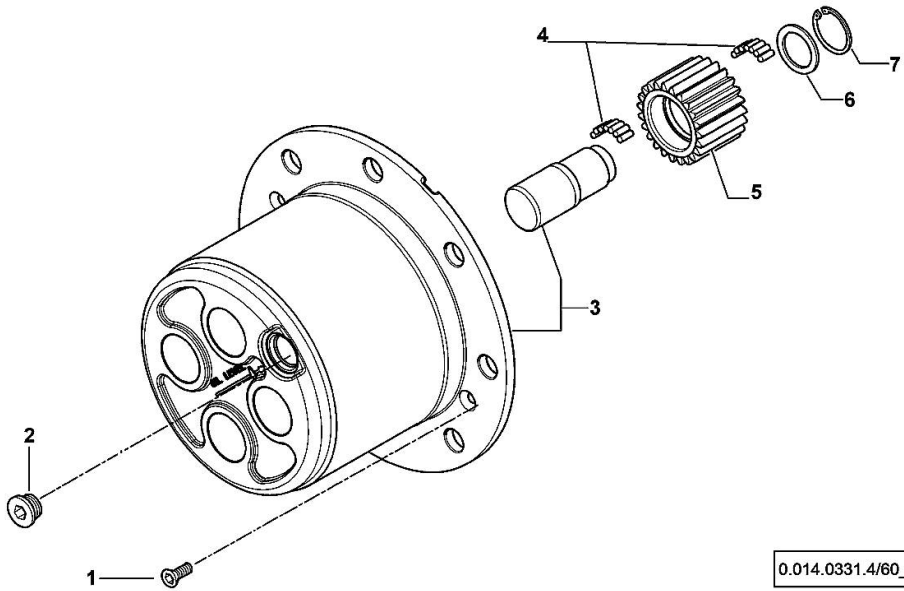
Fig.	P/n	QTY	Name
1	0.900.0115.6	2	circlip 165x195x16,5/18
2	0.900.1363.7	4	bearing
3	0.900.0531.0	2	wheel hub
4	0.900.0091.4	8	stud bolt
5	0.900.0091.5	2	oil seal
6	0.900.0091.6	2	circlip
7	0.900.0118.9	2	hub
8	0.900.0091.8	12	screw m 12 x 45
9	0.900.0119.0	2	crown wheel Z = 60



0.014.0331.4/60_5

PLANETARY GEAR

Fig.	P/n	QTY	Name
1	0.900.0092.0	4	screw m 8 p.1.25 x 20
2	0.900.0092.1	2	plug m 30 p.2
3	0.900.1212.0	2	spider - KIT
4	0.900.0117.2	45	roller
5	0.900.1212.1	8	gear Z = 23
6	0.900.0092.5	8	slewing ring
7	0.900.0092.6	8	circlip



<https://www.ebooklibonline.com>

Hello dear friend!

Thank you very much for reading.

Enter the link into your browser.

The full manual is available for immediate download.

<https://www.ebooklibonline.com>