

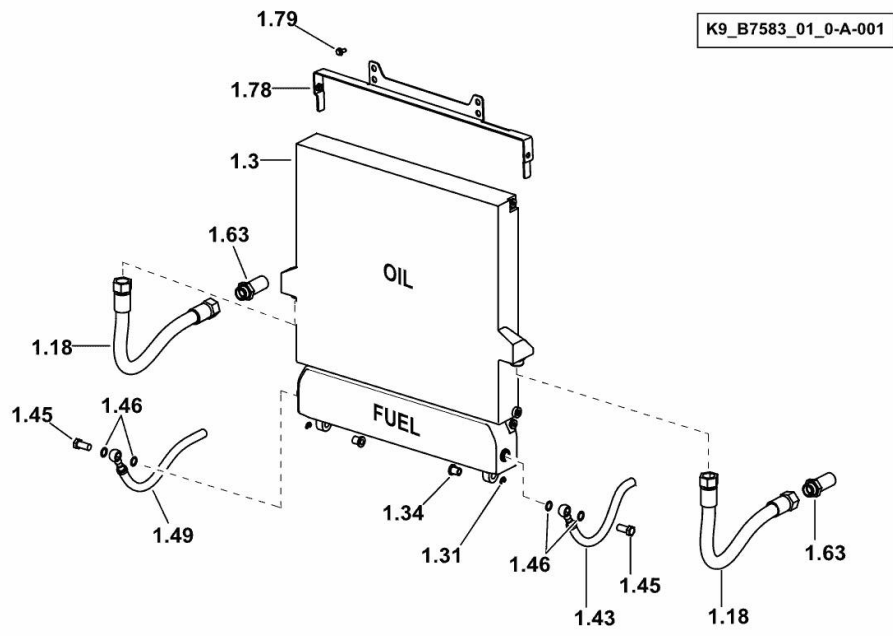
FUEL COOLER - GEAR OIL COOLER

Fig.	P/n	QTY	Name
------	-----	-----	------

Notes:

[IRON 150.7] 2314 <-

1.3	0.013.4874.4/10	1	radiator (-> 2201)
1.18	0.013.3603.3/10	2	flexible hose
1.31	2.1430.009.2	4	ring 8
1.34	2.1559.147.0	8	bushing
1.43	04452457	1	rubber tube sx/lh/li
1.45	01119246	2	pipe union H 3102 -D10 M
1.46	01118688	4	ring 14x17
1.49	04452458	1	rubber tube dx/rh/re
1.63	0.013.3951.0	2	pipe fitting
1.78	0.014.0047.3	1	support
1.79	2.0112.205.2	2	screw m 8 p.1.25 x 16



FUEL COOLER - GEAR OIL COOLER

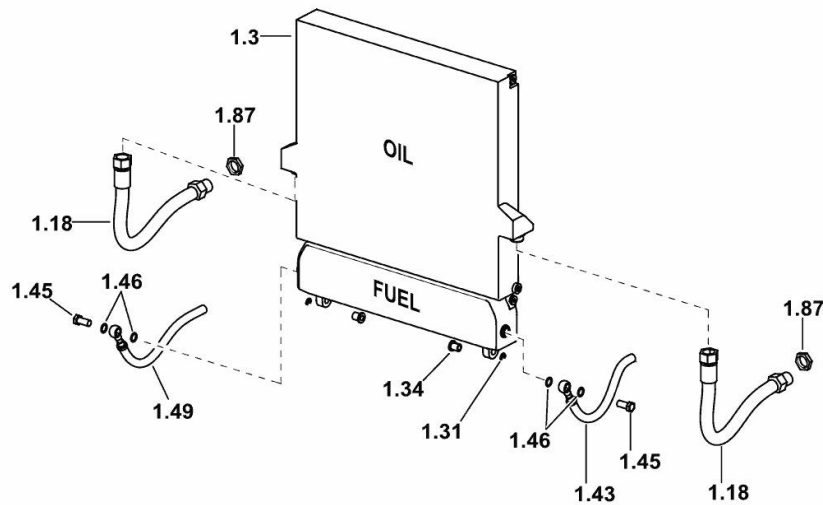
Fig.	P/n	QTY	Name
------	-----	-----	------

Notes:

[IRON 150.7] -> 2315

1.3	0.013.4874.4/10	1	radiator
1.18	0.013.3603.3/20	2	flexible hose
1.31	2.1430.009.2	4	ring 8
1.34	2.1559.147.0	8	bushing
1.43	04452457	1	rubber tube sx/lh/li
1.45	01119246	2	pipe union H 3102 -D10 M
1.46	01118688	4	ring 14x17 (2345 <-)
1.46	2.1569.220.0	4	oil seal
1.49	04452458	1	rubber tube dx/rh/re
1.87	01123544	2	nut m 26 p.1.5

K9_B7583_01_0-A-002



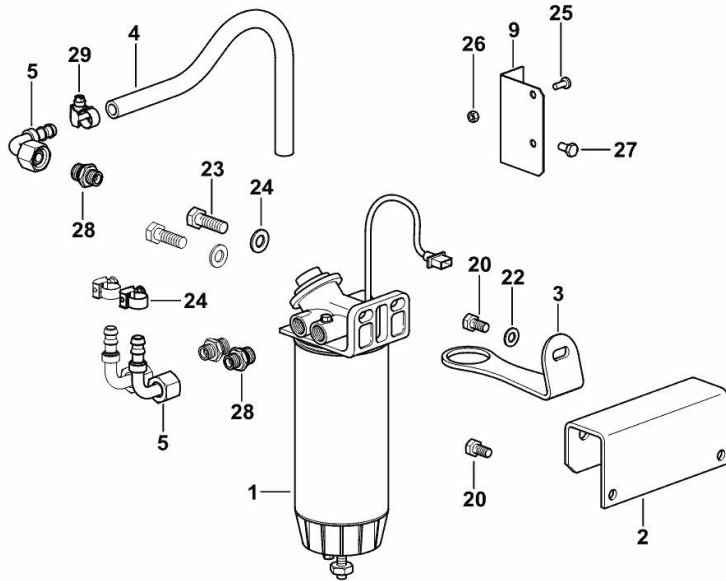
FUEL PRELIMINARY FILTER

Fig.	P/n	QTY	Name
------	-----	-----	------

Notes:

- EXPORT RU [IRON 150.7]

1	04454769	1	fuel filter element ☞ 04454769
2	04454761.3/20	1	bracket
3	04454759	1	support
4	04454768	1	tube
5	04454253	3	pipe fitting
9	04454918	1	support
20	2.0112.205.2	3	screw m 8 p.1.25 x 16
22	2.1310.004.2	1	flat washer 8.4x17
23	2.0112.311.2	2	screw m 10 p.1.5 x 30
24	2.1310.006.2	2	flat washer 10.5x21
25	2.0114.103.2	2	screw m 5 x 12
26	2.1011.102.2	2	nut m 5 p.0.7
27	2.0112.003.2	1	screw m 6 p.1 x 12
28	01180559	3	pipe fitting
29	01173965	3	clamp 10-16/9 h3461



K9_F5381_50_0-A-001

<https://www.ebooklibonline.com>

Hello dear friend!

Thank you very much for reading.

Enter the link into your browser.

The full manual is available for immediate download.

<https://www.ebooklibonline.com>

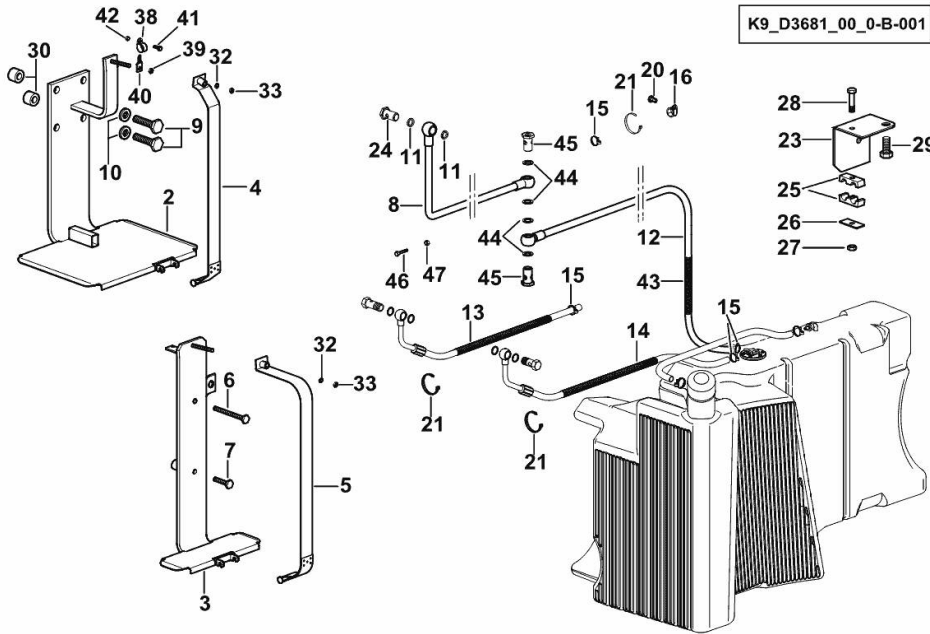
FUEL SYSTEM - TANK

Fig.	P/n	QTY	Name
------	-----	-----	------

Notes:

[IRON 150.7] 2259 <-

2	04437761.4/10	1	support
3	04436124.4/10	1	support
4	04436122/10	1	fascia
5	04438108	1	fascia
6	01111566	1	screw m 12 x 110
7	01112572	1	screw m 12 x 60
8	04453719	1	flexible hose mm 550
9	01114097	4	screw m 20 p.1x90
10	01167055	4	washer 20.5x40
11	01118700	2	oil seal Ø 16 x 20
12	04453720	1	flexible hose mm 1900
13	04452063	1	guard
14	04452062	1	flexible hose
15	01173965	4	clamp 10-16/9 h3461
16	01172689	1	clamp
20	01112295	1	screw m 8 x 10
21	01173952	8	band
23	04428087	1	angular
24	01137064	1	pipe union m 16 p.1.5
25	04418659	2	terminal 12x10
26	01175616	1	small plate
27	01112813	1	nut m 6
28	01100101	1	screw m 6 x 45
29	01112529	1	screw m 12 x 30, d933
30	04427061	4	bushing 20.5x40x30
32	01107105	2	washer 10.5
33	01136453	2	nut m 10
38	01213283	1	clamp Ø 20/28
39	01102659	1	nut m 10, d934
40	04438416	1	bracket
41	01112322	1	screw m 8 p.1.25 x 20
42	01122477	1	nut m 8 p.1.25
43	04438399	1	tube
44	01118713	4	washer 18.5
45	2.3335.008.2	2	pipe union m 18 p.1.5 x 32
46	2.0112.017.2	2	screw m 6 p.1x45
47	2.1120.003.2	2	self-locking nut m 6



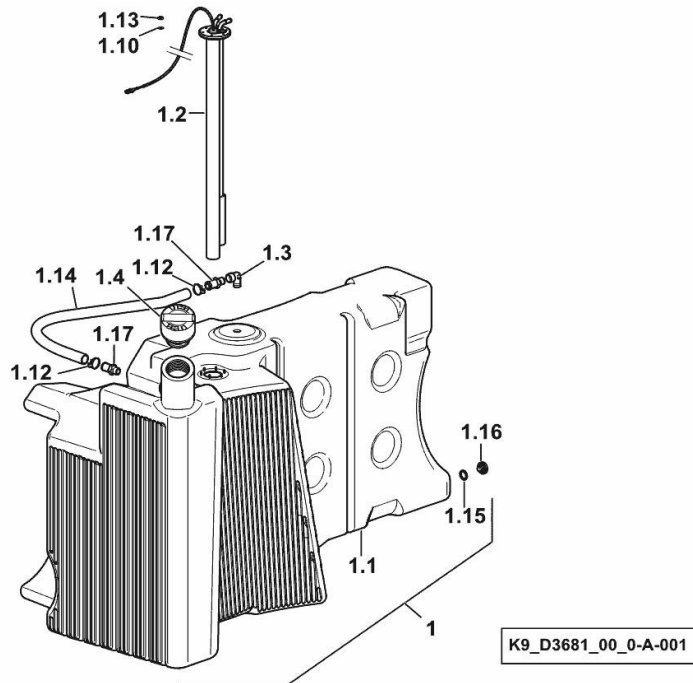
FUEL TANK

Fig.	P/n	QTY	Name
------	-----	-----	------

Notes:

[IRON 150.7] 2259 <-

1	04438118.4/30	1	tank
1.1	0.012.6126.3	1	tank
1.2	0.012.6230.0	1	float
1.3	2.3339.950.0	1	pipe fitting Ø 22 / 3/8" GAS
1.4	0.011.2107.0	1	plug
1.10	01122121	6	washer 4,3x9x0,8
1.12	01173962	2	clamp Ø 20/32
1.13	2.1011.101.2	6	nut
1.14	0.012.6171.0	1	tube
1.15	2.1530.056.0	1	oil seal 21.82 x 3.53
1.16	0.011.5133.0	1	plug m 12
1.17	0.012.1717.0	2	grommet union

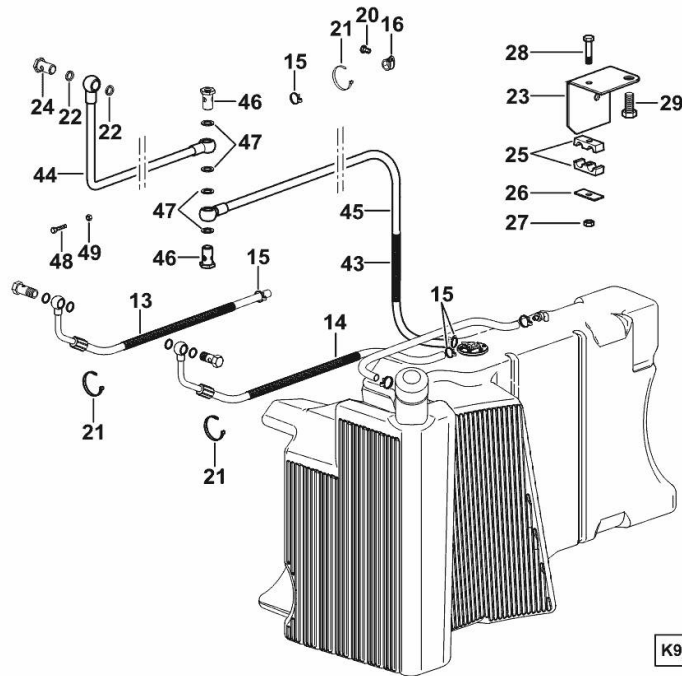


FUEL TANK PIPES

Fig.	P/n	QTY	Name
------	-----	-----	------

Notes:

[IRON 150.7] -> 2260



K9_F5381_00_0-C-001

13	0.016.1428.0	1	guard mm 1150
14	0.016.1425.0	1	guard mm 1700
15	2.6851.001.0	4	clamp Ø 16/25
16	01172689	1	clamp
20	01112295	1	screw m 8 x 10
21	2.6852.203.0	8	clamp 292 x 4.8
22	2.1569.221.0	2	oil seal 16.2x20x1.5
23	04428087	1	angular
24	01137064	1	pipe union m 16 p.1.5
25	04418659	2	terminal 12x10
26	01175616	1	small plate
27	2.1011.103.2	1	nut m 6 p.1
28	2.0114.016.2	1	screw m 16 p.1x45
29	2.0114.411.2	1	screw m 12 p.1.75 x 30
43	0.016.1442.0	1	guard mm 1450
44	04453719	1	flexible hose mm 550
45	0.016.1448.0	1	flexible hose mm 1900
46	2.3335.008.2	2	pipe union m 18 p.1.5 x 32
47	2.1569.222.0	4	gasket 18.2x21.9x1.5
48	2.0112.017.2	2	screw m 6 p.1x45
49	2.1120.003.2	2	self-locking nut m 6

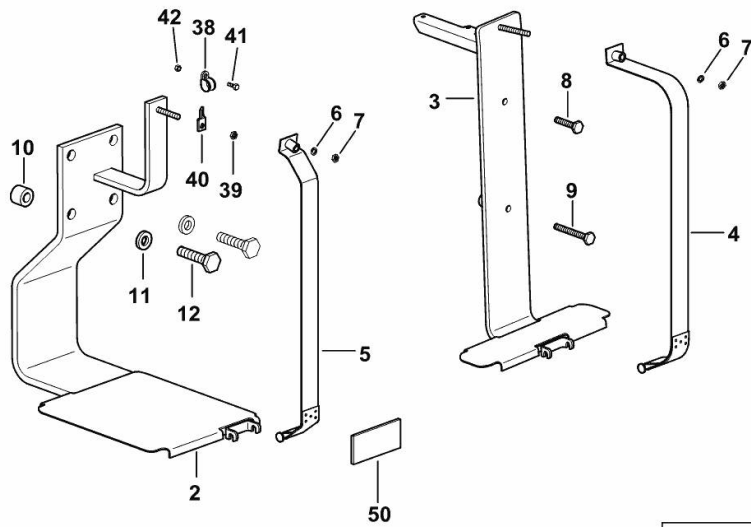
TANK SUPPORTS

Fig.	P/n	QTY	Name
------	-----	-----	------

Notes:

[IRON 150.7] -> 2260

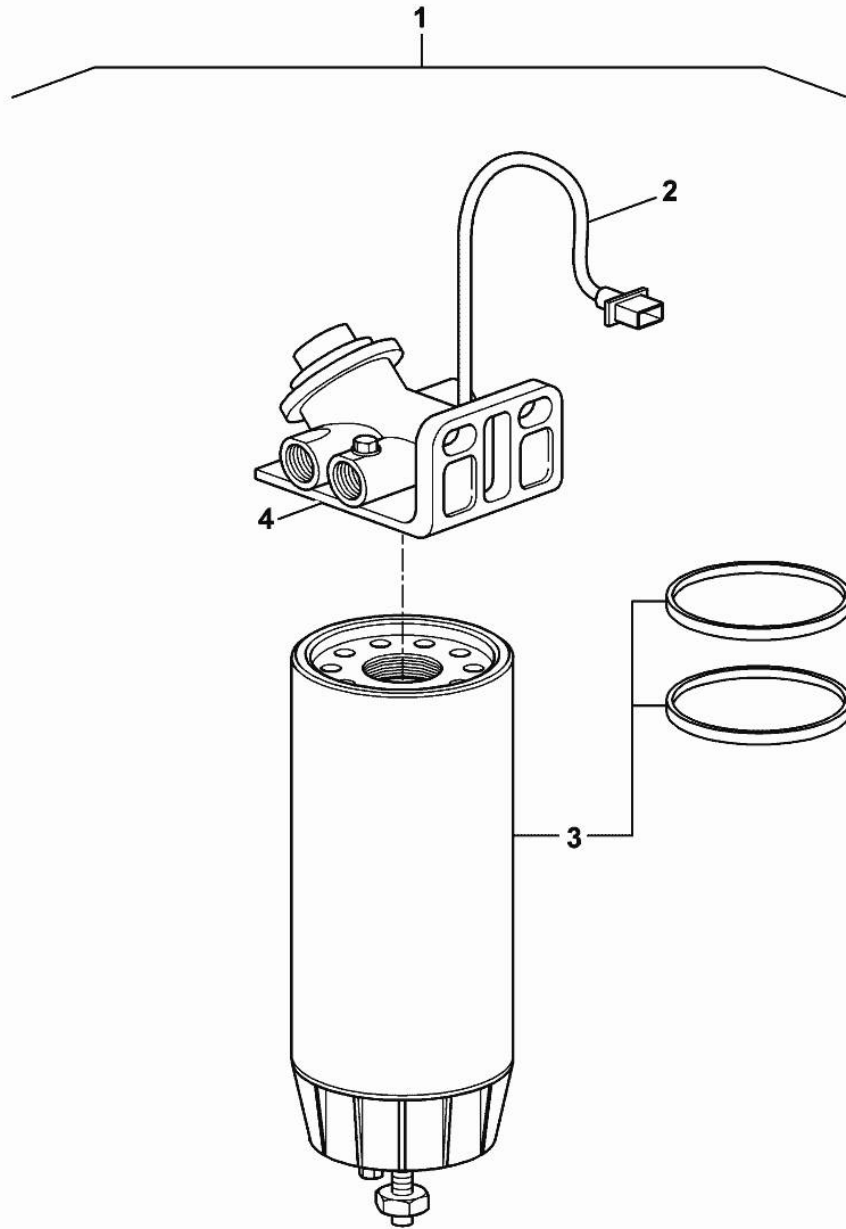
2	0.014.0711.3/20	1	tank support
3	0.014.8104.3/30	1	tank support
4	04438108/10	1	fascia
5	04436122/10	1	fascia
6	2.1310.006.2	2	flat washer 10.5x21
7	01136453	2	nut m 10
8	2.0112.421.2	1	screw m 12 p.1.75 x 60
9	2.0112.431.2	1	screw m 12 p.1.75 x 110
10	04427061	1	bushing 20.5x40x30
11	01167055	4	washer 20.5x40
12	2.0399.302.2	4	screw m 20 p.2x90
38	01213283	1	clamp Ø 20/28
39	2.1011.106.2	1	nut m 10 p.1.5
40	04438416	1	bracket
41	2.0114.207.2	1	screw m 8 p.1.25 x 20
42	01122477	1	nut m 8 p.1.25
50	0.015.7103.0	1	gasket 60x150x18



K9_F5381_00_0-B-001

FUEL FILTER

Fig.	P/n	QTY	Name
1	04454769	1	fuel filter element
2	02113150	1	electric cable
3	0.900.0793.5	1	fuel filter element
4	0.000.0000.1		cannot be supplied



04454769

EXHAUST SILENCER

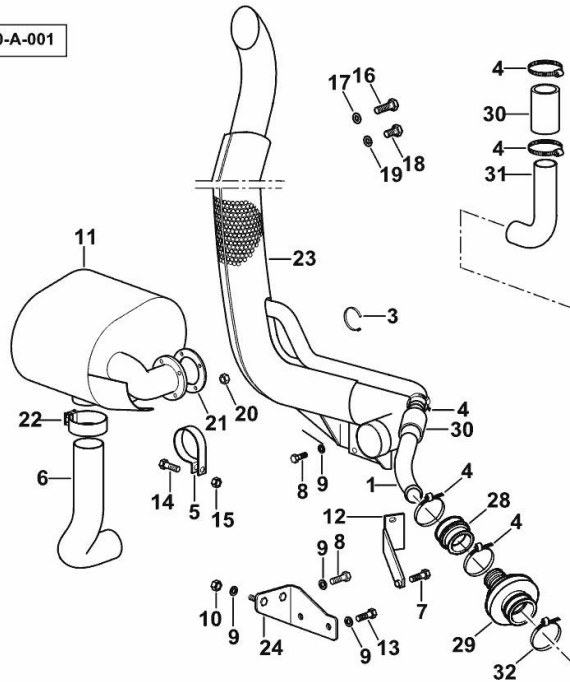
Fig.	P/n	QTY	Name
------	-----	-----	------

Notes:

[IRON 150.7] 2344 <-

1	04451135	1	primer
3	2.6852.203.0	1	clamp 292 x 4.8
4	2.6851.004.0	5	clamp Ø 32/50
5	04422728	1	fascia
6	04436010	1	manifold
7	01111308	1	screw m 10 x 50
8	2.0114.413.2	4	screw m 12 x 35
9	01174738	7	flat washer 12.5x26x6
10	2.1011.107.2	2	nut m 12 p.1.75
11	04436007	1	silencer
12	04437930	1	bracket
13	2.0122.467.2	1	screw m 12 p.1.25x45
14	2.0114.311.2	2	screw m 10 p.1.25 x 30
15	2.1011.106.2	3	nut m 10 p.1.5
16	2.0114.307.2	2	screw m 10 x 20, d933
17	01140501	1	washer 10.5
18	2.0114.205.2	2	screw m 8 p.1.25 x 16
19	2.1310.004.2	2	flat washer 8.4x17
20	01144673	4	nut
21	04209203	1	gasket
22	04427255	1	clamp
23	04436011.4/20	1	exhaust pipe
24	04437932	1	bracket
28	04450656	1	adapter
29	04450649	1	adapter
30	04432016	2	rubber sleeve
31	04450659	1	tube
32	2.6851.019.0	1	clamp Ø 13/20

K9_94556_00_0-A-001



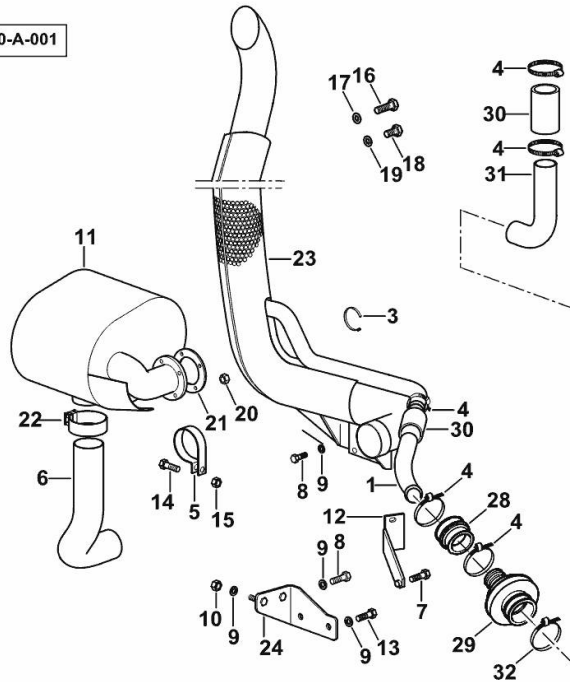
EXHAUST SILENCER

Fig.	P/n	QTY	Name
------	-----	-----	------

Notes:
[IRON 150.7]

1	04451135	1	primer
3	2.6852.203.0	1	clamp 292 x 4.8
4	2.6851.004.0	5	clamp Ø 32/50
5	04422728	1	fascia
6	04436010	1	manifold
7	01111308	1	screw m 10 x 50
8	2.0114.413.2	4	screw m 12 x 35
9	01174738	7	flat washer 12.5x26x6
10	2.1011.107.2	2	nut m 12 p.1.75
11	04436007	1	silencer
12	04437930	1	bracket
13	2.0122.467.2	1	screw m 12 p.1.25x45
14	01112429	2	screw m 10 x 30, d933
15	2.1011.006.2	3	nut m 10 p.1.5
16	2.0114.307.2	2	screw m 10 x 20, d933
17	01140501	1	washer 10.5
18	01112307	2	screw m 8 p.1.25 x 15, d933
19	2.1310.004.2	2	flat washer 8.4x17
20	01144673	4	nut
21	04209203	1	gasket
22	04427255	1	clamp
23	04436011.4/20	1	exhaust pipe
24	0.015.3755.3	1	support
28	04450656	1	adapter
29	04450649	1	adapter
30	04432016	2	rubber sleeve
31	04450659	1	tube
32	2.6851.019.0	1	clamp Ø 13/20

K9_D3856_00_0-A-001



AIR COMPRESSOR 229 cm³

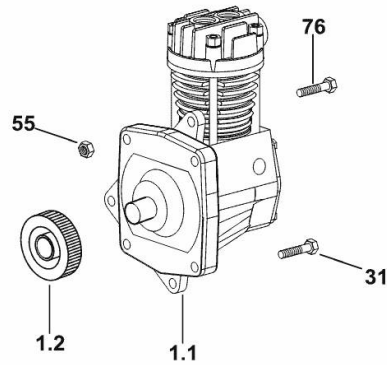
Fig.	P/n	QTY	Name
------	-----	-----	------

Notes:

[IRON 150.7] 2292 <-

1.1	04428408.4	1	air compressor 229 cm ³ ☞ 04428408.4
1.2	04255095.4	1	gear
31	01112429	2	screw m 10 x 30, d933
55	01102659	6	nut m 10, d934
76	04437934	1	stud bolt m 10

K9_A3589_15_0-B-001



AIR COMPRESSOR 229 cm³

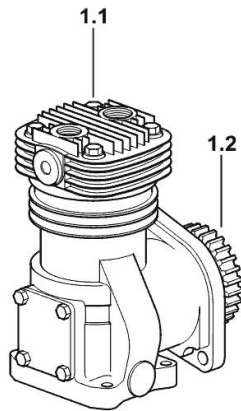
Fig.	P/n	QTY	Name
------	-----	-----	------

Notes:

- FOR TYPES WITH CAB AIR SUSPENSION [IRON 150.7]-> 2305

1.1	04428408.4	1	air compressor 229 cm ³ ☞ 04428408.4
1.2	04295536	1	gear Z = 43

K9_F5289_15_0-A-001





Suggest:

For more complete manuals. Please go to the home page.

<https://www.ebooklibonline.com>

If the above button click is invalid. Please download this document first, and then click the above link to download the complete manual.

Thank you so much for reading

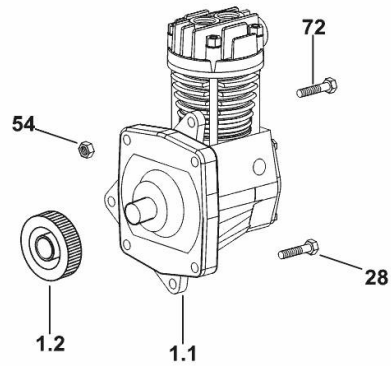
AIR COMPRESSOR - ITALY

Fig.	P/n	QTY	Name
------	-----	-----	------

Notes:

[IRON 150.7] 2296 <-

1.1	04428408.4	1	air compressor 229 cm ³ ☞ 04428408.4
1.2	04255095.4	1	gear
28	01112429	2	screw m 10 x 30, d933
54	01102659	6	nut m 10, d934
72	04437934	1	stud bolt m 10



K9_A3589_16_0-B-001

AIR COMPRESSOR 229 cm³ - ITALY

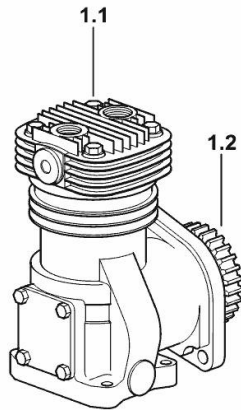
Fig.	P/n	QTY	Name
------	-----	-----	------

Notes:

[IRON 150.7] -> 2316

1.1	04428408.4	1	air compressor 229 cm ³ ☞ 04428408.4
1.2	04295536	1	gear Z = 43

K9_F5289_16_0-A-001



<https://www.ebooklibonline.com>

Hello dear friend!

Thank you very much for reading.

Enter the link into your browser.

The full manual is available for immediate download.

<https://www.ebooklibonline.com>