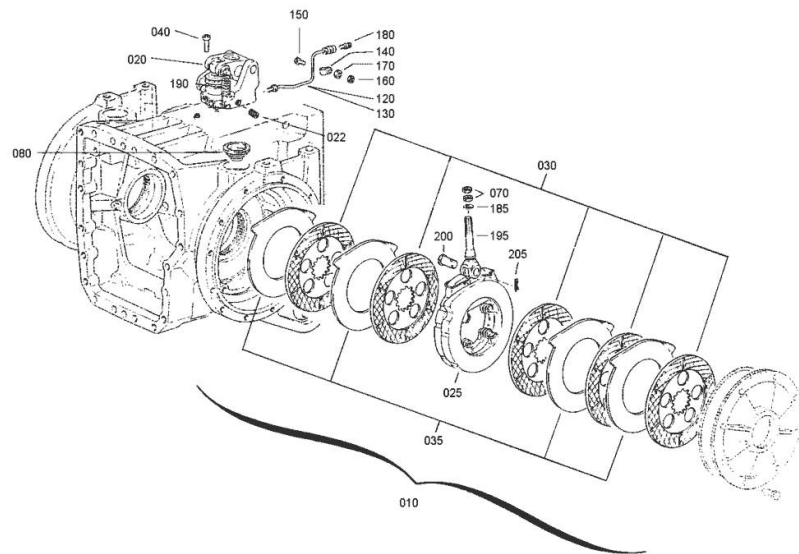


Section: GEAR
SERVICE BRAKE

Fig.	P/n	QTY	Name
------	-----	-----	------

Notes:
 [IRON 150 S]

10	04428541	2	brake disc
20	04436310	2	stop
22	0.010.2900.0	2	screw m 8 x 16
25	04428543	2	operation
30	04426602	10	disc
35	04435745	8	thin plate
40	04435698	6	screw
70	04434557	4	nut m 14 p.1.5
80	04428544	2	bush
120	04428545	1	tube sx/lh/li
130	04428546	1	piping dx/rh/re
140	04428547	2	fascia
150	0.010.2900.1	2	screw m 5 p.0.8 x 25
160	0.010.2900.2	2	screw m 5
170	0.010.2901.0	2	nut m 6
180	04428548	2	pin
185	04428549	2	small disc
190	04428550	2	spring
195	04428551	2	rod
200	04428552	2	pin
205	04428553	2	split pin



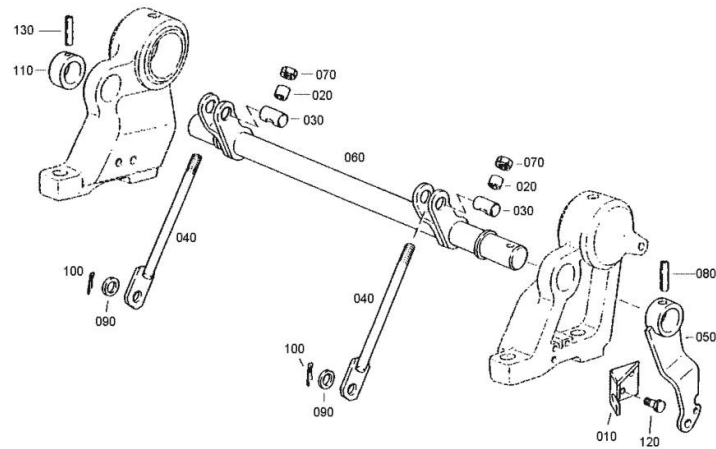
Section: GEAR

BRAKE CONTROLS

Fig.	P/n	QTY	Name
------	-----	-----	------

Notes:
[IRON 150 S]

10	0.010.2901.2	1	support
20	0.010.2902.0	2	bushing
30	0.010.2902.1	2	pin
40	0.010.2902.2	2	connecting rod
50	0.010.2903.0	1	brake lever
60	0.010.2903.1	1	shaft
70	0.010.2903.2	2	nut
80	0.010.2888.2	1	pin 8 x 50
90	0.010.2904.0	2	washer 10.5
100	0.010.2904.1	2	split pin 3.2x18
110	0.010.2904.2	1	ring
120	04435705	3	screw m 8 p.1.25 x 20
130	0.010.2901.1	1	pin 6x50



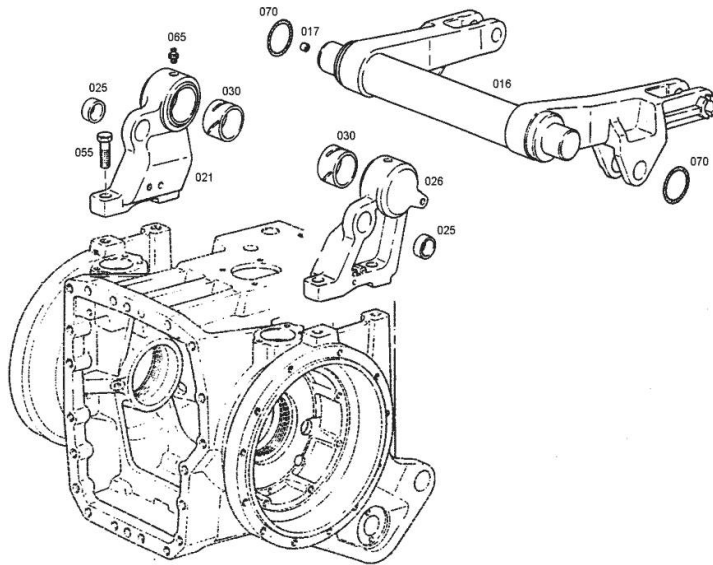
Section: GEAR

LIFTING

Fig.	P/n	QTY	Name
------	-----	-----	------

Notes:
[IRON 150 S]

16	0.010.2907.0	1	shaft
17	04417546	1	bushing
21	04436311	1	bearing block dx/rh/re
25	0.010.3844.1	2	bearing
26	04436312	1	bearing block sx/lh/li
30	04417549	2	special bushing
55	04417550	4	screw m 20x65
65	04427636	2	grease gun m 8 p.1 x 8
70	04417552	2	ring 78.5x6



<https://www.ebooklibonline.com>

Hello dear friend!

Thank you very much for reading.

Enter the link into your browser.

The full manual is available for immediate download.

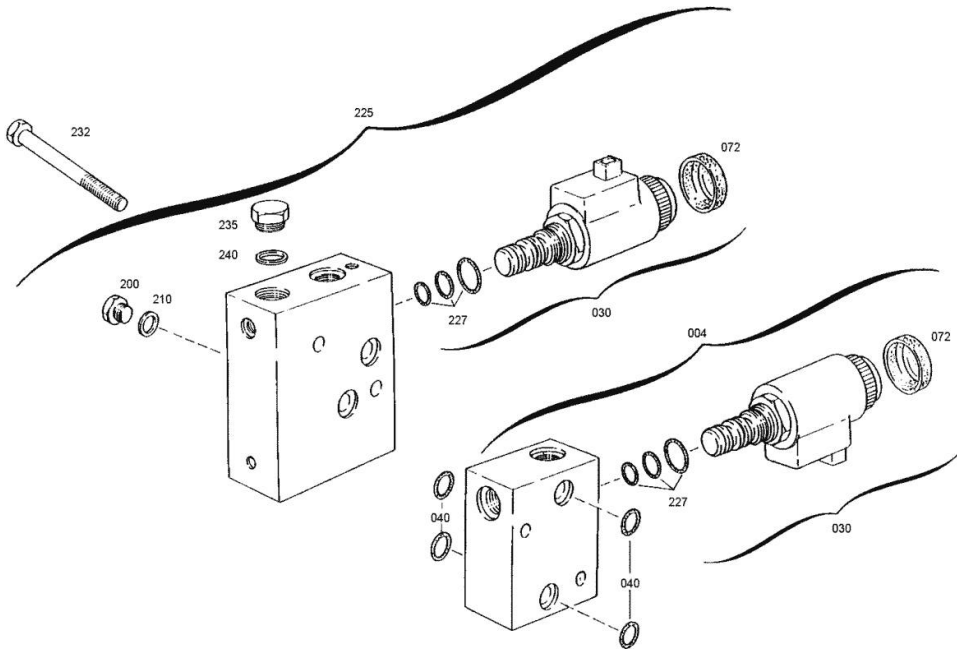
<https://www.ebooklibonline.com>

CONTROL UNIT - GEARS

Fig.	P/n	QTY	Name
------	-----	-----	------

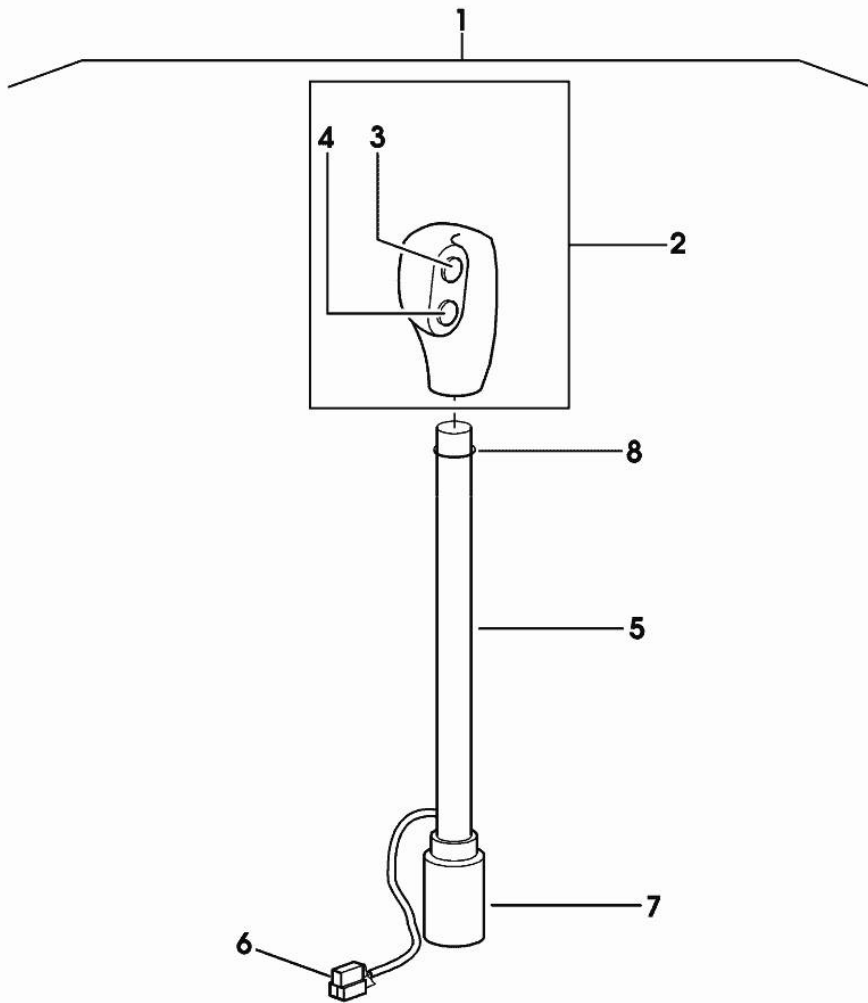
Notes:
[IRON 150 S]

4	04423824	1	spool valve
30	04417555	2	valve
40	04417556	4	ring
72	04423818	2	small guard
200	04417563	2	screw m 10 x 1
210	0.010.2905.1	2	gasket 10x13.5
225	0.010.2628.2	1	control
227	04422923	2	gasket set
232	0.010.2905.2	2	screw m 8x95
235	04417441	2	screw m 14x1.5
240	04423731	2	oil seal 14 x 18



TRANSMISSION CONTROL LEVERS

Fig.	P/n	QTY	Name
1	04422746.4/10	1	lever
2	04411538.4	1	knob
3	04414531	1	switch
4	04436298	1	cap
5	04429989	1	rod
6	06214004	1	sleeve
7	04422755	1	support
8	04429992	1	oil seal



04422746_4_10

Section: REAR AXLE
BRAKE CONTROLS

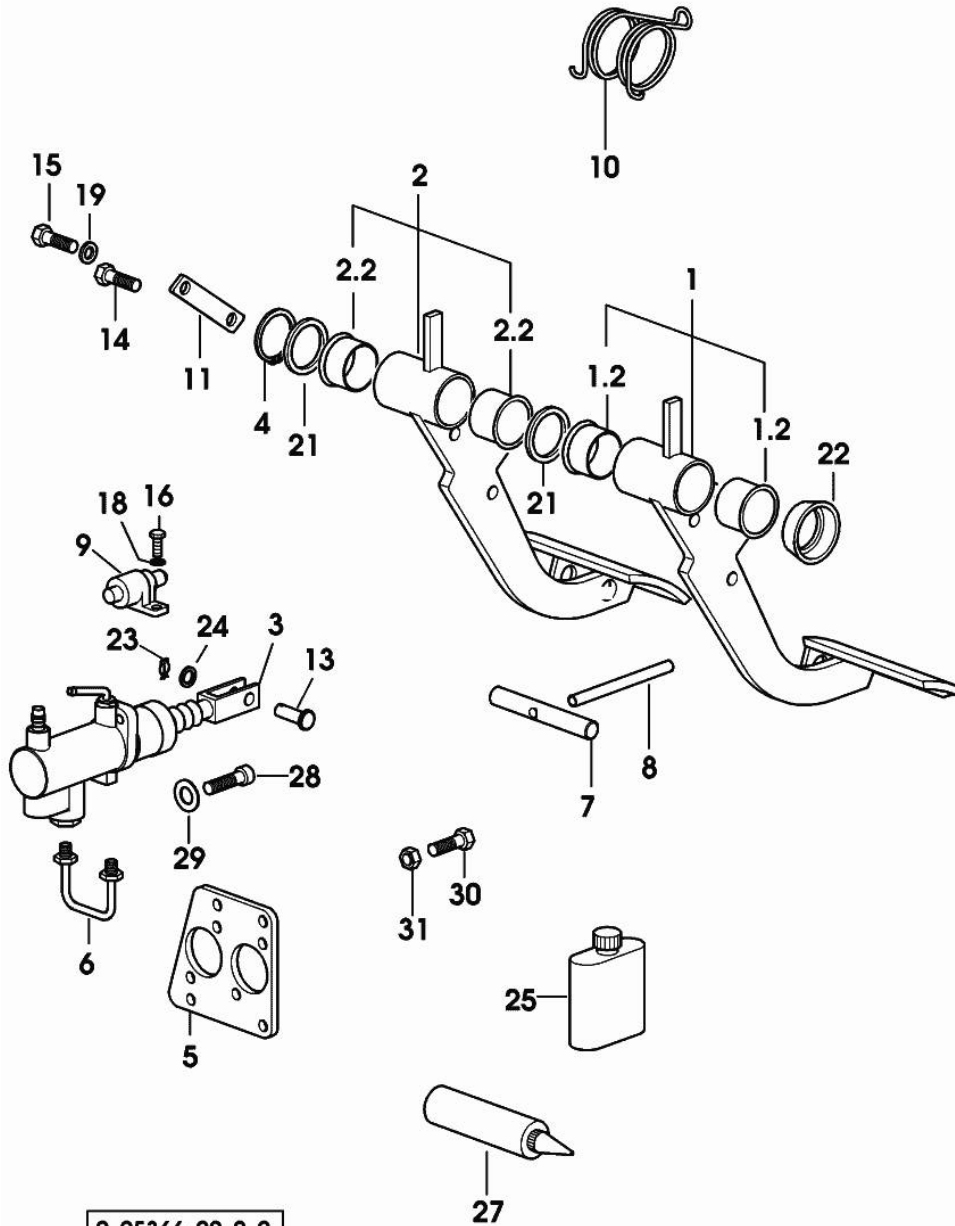


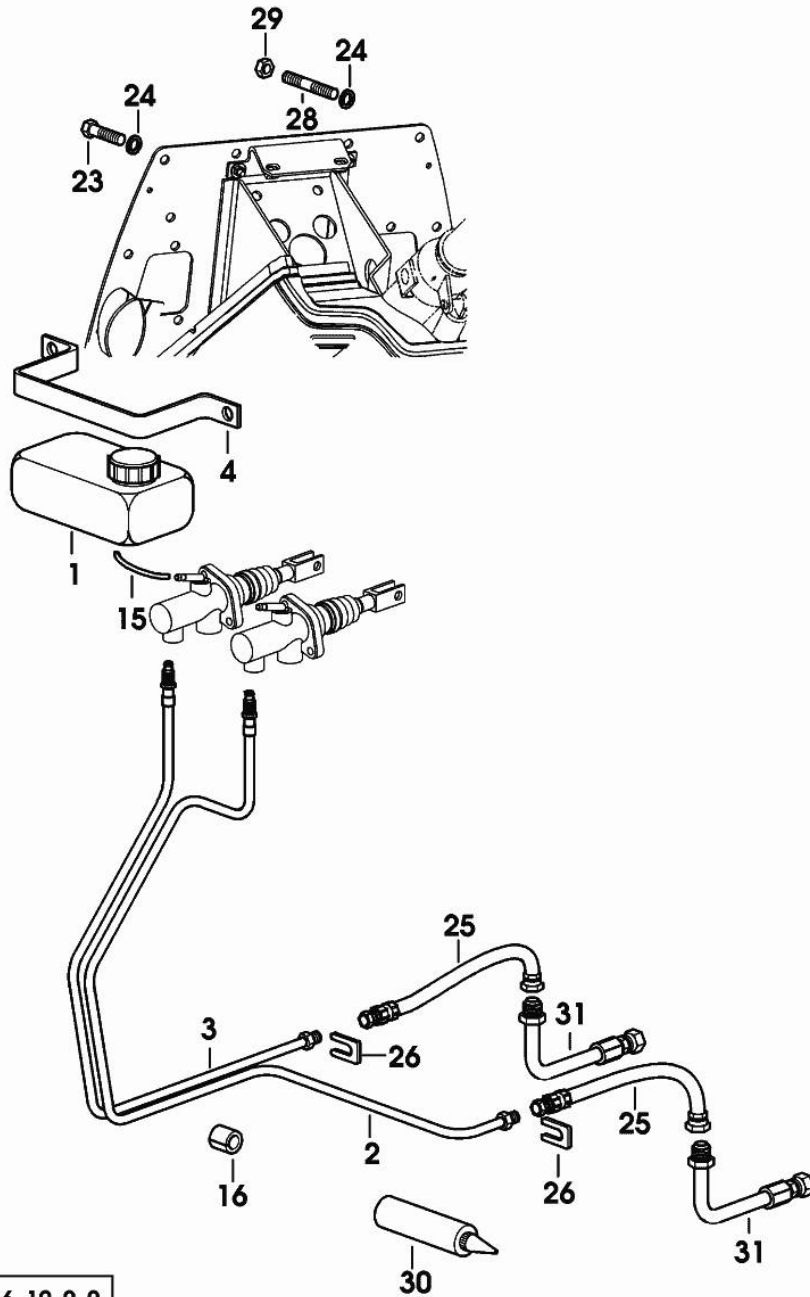
Fig.	P/n	QTY	Name
Notes:			
[IRON 150 S]			
1	04451653.4/10	1	pedal dx/rh/re
1.2	2.1559.117.0/20	2	special bushing 30x34x20
2	04451654.4/10	1	pedal sx/lh/li
2.2	2.1559.117.0/20	2	special bushing 30x34x20
3	04429065	2	cylinder
			1062 <- X IRON 130 S
			1042 <- X IRON 140 S
			1044 <- X IRON 150 S
			1054 <- X IRON 165 S
3	04452974.4	2	cylinder
			-> 1063 X IRON 130 S
			-> 1043 X IRON 140 S
			-> 1045 X IRON 150 S
			-> 1055 X IRON 165 S
			☞ 04452974.4
4	01107742	1	circlip 30x1.5
5	04429383	1	support
6	04429067	1	tube
7	02386782	1	pin
8	01171750	1	pin
9	04391395	2	switch
10	0.012.9569.2	1	spring
11	04429702	1	link
13	04429518	2	pin
14	01112322	8	screw m 8 p.1.25 x 20
15	01112307	2	screw m 8 p.1.25 x 15, d933
16	01127017	4	screw m4x12
18	01119806	4	washer 4,3x12x1 d9021
19	01151019	1	washer 8.4
21	2.1599.268.0	2	shoulder ring
22	2.1599.546.0	1	washer 30.5
23	01175876	2	split pin
24	01107105	2	washer 10.5
25	01005149		genuine lubricants H 685 -DEUTZ S2- 1 KG
27	01009463		sealing compound H 699 -DEUTZ DW 43
28	01110577	4	screw m 8 x 25
29	01107101	4	washer 8.4
30	01112350	2	screw m 8 x 35
31	01112824	2	nut m 8, d934

Section: REAR AXLE
BRAKE CONTROLS

Fig.	P/n	QTY	Name
------	-----	-----	------

Notes:
 [IRON 150 S]

1	04432281	1	tank COMPONENT PARTS SEE COMPONENTS LIST ☞ 04432281
2	04429566	1	pipng sx/lh/li
3	04429567	1	pipng dx/rh/re
4	01144700	1	clamp DIN 3017- 100-120
15	04433699		guard
16	01218045	9	rubber plug
23	04426352	9	screw m 8 p.1.25 x 20
24	01107101	10	washer 8.4
25	04415735	2	flange
26	01121654	2	stop
28	01113381	1	stud bolt m 8x20 DIN 939
29	01112824	1	nut m 8, d934
30	01009463		sealing compound H 699 -DEUTZ DW 43
31	04422366	2	tube



9_95366_10_0_0

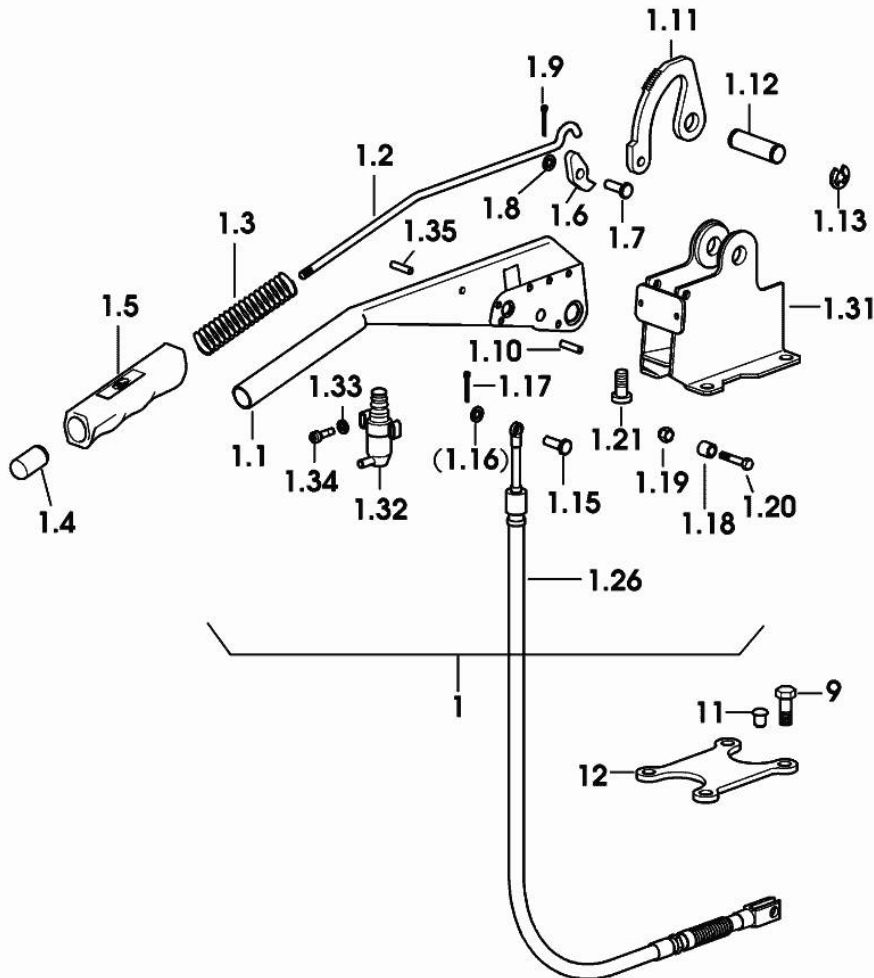
Section: REAR AXLE

HAND BRAKE

Fig.	P/n	QTY	Name
------	-----	-----	------

Notes:
[IRON 150 S]

1	04429643.4	1	handbrake lever
1.1	04429486.4	1	lever
1.2	04429487	1	rod
1.3	04429743	1	spring
1.4	04338409	1	push-button
1.5	04365615	1	grip
1.6	04431592	1	ratchet
1.7	04429737	1	pin
1.8	01151019	1	washer 8.4
1.9	01143001	1	split pin 2x16
1.10	01115420	1	pin
1.11	04429881	1	toothed sector
1.12	04428847	1	pin
1.13	01107721	2	circlip
1.15	04429738	1	pin Ø 10x26
1.17	01132625	1	split pin 3.2 x 20
1.18	04428850	1	spacer 7x15x13.75
1.19	01133500	1	nut vm 6 d980
1.20	01112279	1	screw m 6 p.1 x 40
1.21	01112240	2	screw m 6 x 12
1.26	04429651	1	rod
1.31	04429712	1	support
1.32	04391395	1	switch
1.33	01151013	2	washer
1.34	01119629	2	screw m 4.0 x 12
1.35	01115416	1	pin
9	01112322	4	screw m 8 p.1.25 x 20
11	01167317	1	plug 14.5X11.5X21
12	04429746/10	1	plate



9_95366_05_0_0

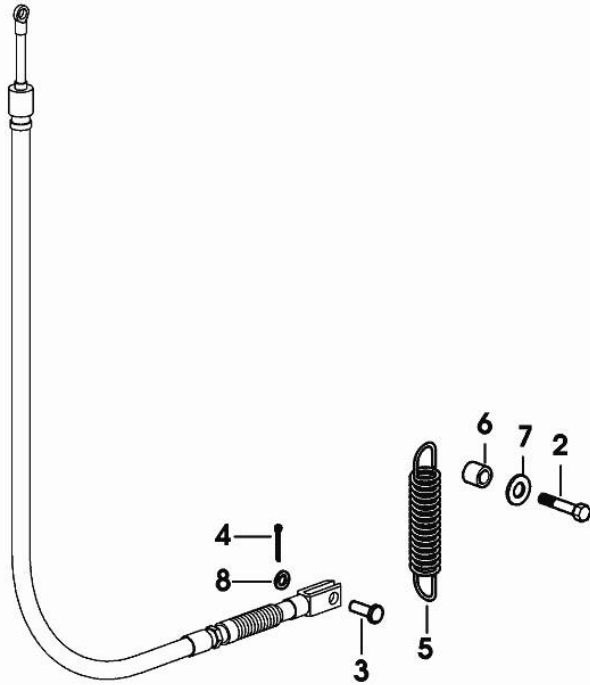
Section: REAR AXLE

HAND BRAKE

Fig.	P/n	QTY	Name
------	-----	-----	------

Notes:
[IRON 150 S]

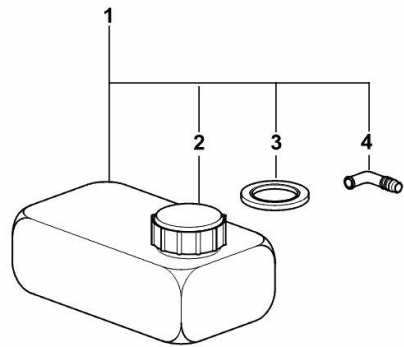
2	01112350	5	screw m 8 x 35
3	04432197	1	pin
4	01132625	1	split pin 3.2 x 20
5	04431563	1	spring
6	04355272	1	bushing 9x13x16
7	01151019	1	washer 8.4
8	01107105	1	washer 10.5



9_95366_04_0_0

TANK - PARTS

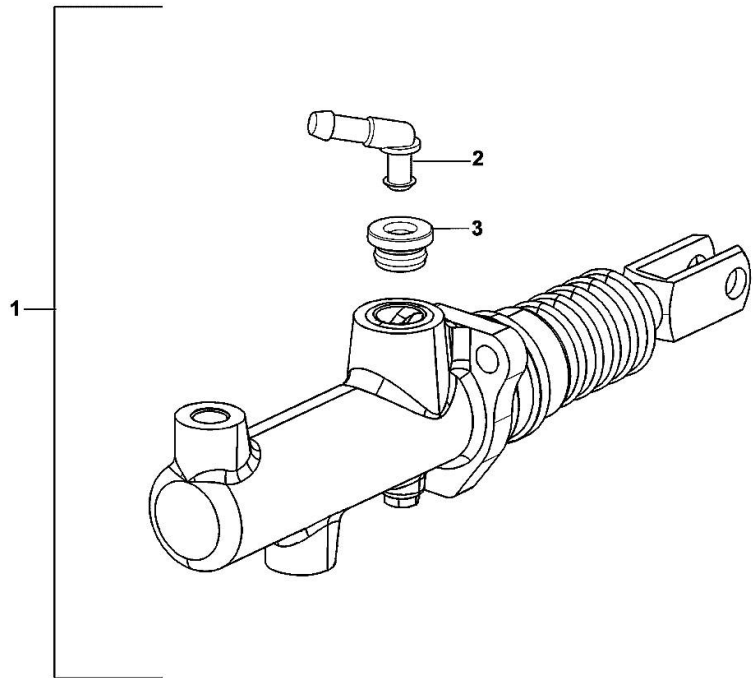
Fig.	P/n	QTY	Name
1	04432281	1	tank
2	04438477	1	cover
3	04414695	1	ring
4	04305837	1	pipe fitting 6, d128



04432281

MASTER CYLINDER PARTS

Fig.	P/n	QTY	Name
1	04452974.4	1	cylinder
2	0.900.2157.7	1	tube
3	0.900.2157.8	1	gasket



04452974.4

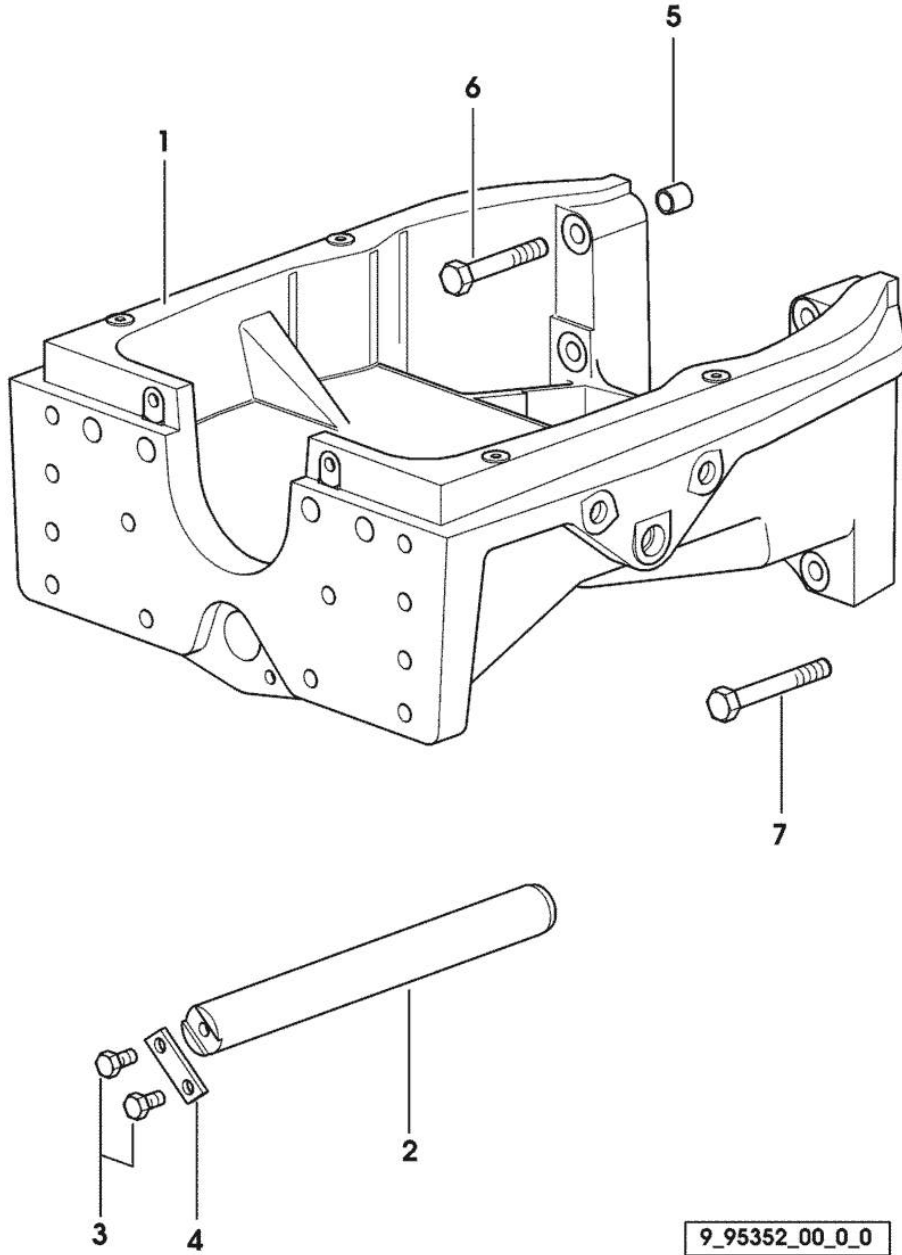
Section: FRONT AXLE

FRONT SUPPORT

Fig.	P/n	QTY	Name
------	-----	-----	------

Notes:
[IRON 150 S]

1	04422720	1	support
2	04411024	1	pin
3	01112515	2	screw m 12 x 25
4	04419914	1	bracket
5	04388695	2	bushing 17x22x23
6	06273759	4	screw m 16 h6 x 100
7	01144479	4	screw m 16 x 120



9_95352_00_0_0

Section: FRONT AXLE

FRONT CARRIER WITH SUSPENSION

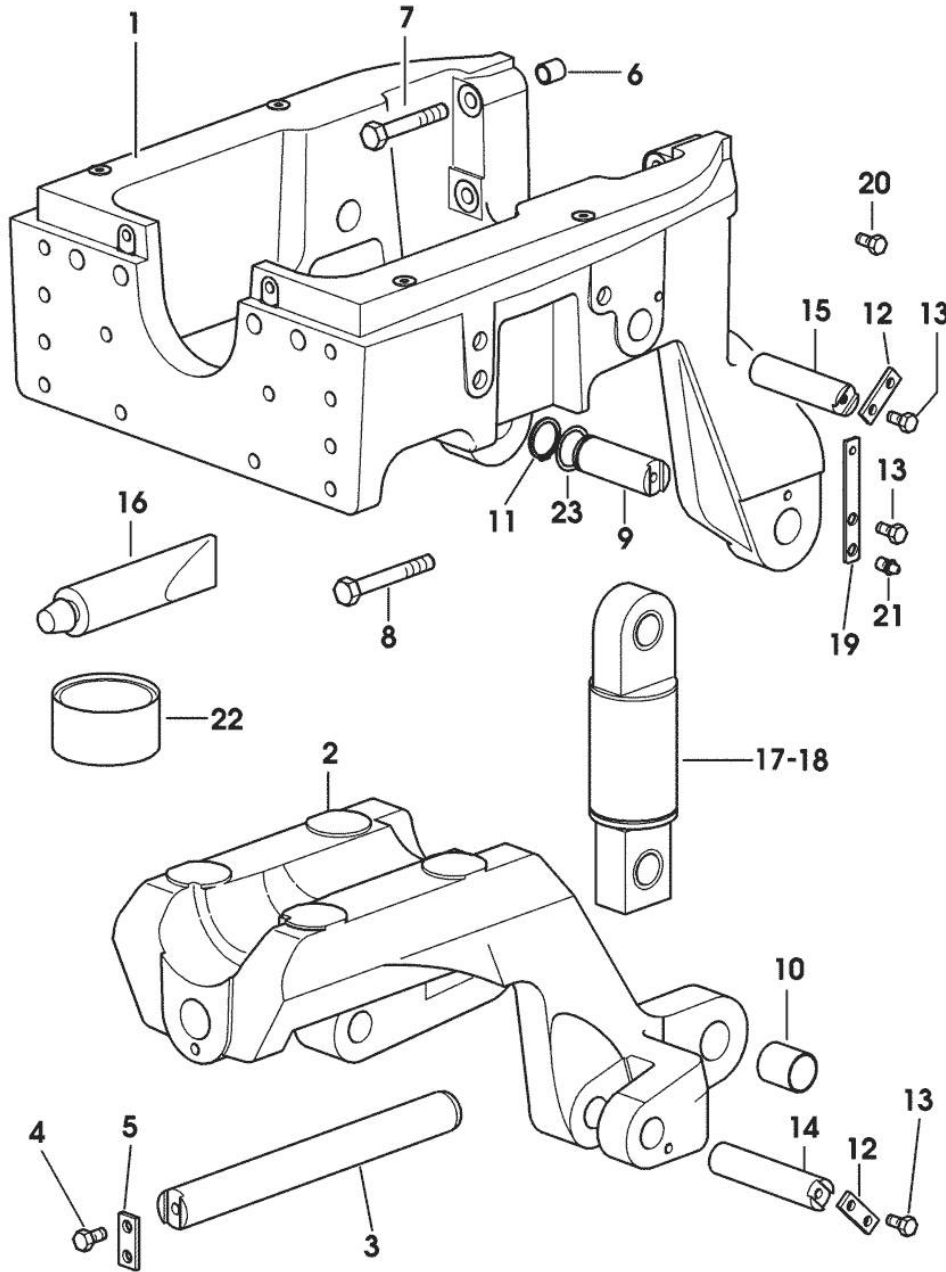


Fig.	P/n	QTY	Name
------	-----	-----	------

Notes:
[IRON 150 S]

1	04416880/20	1	axle support
2	04416882/20	1	rocker arm
3	04411024	1	pin
4	01112515	2	screw m 12 x 25
5	04411025	1	flange
6	04388695	2	bushing 17x22x23
7	06273759	4	screw m 16 h6 x 100
8	01144479	4	screw m 16 x 120
9	04438671	2	pin
10	04424134/20	2	bushing
11	01107755	2	ring 40 x 1,75, d471
12	04422768	6	small plate
13	01112418	10	screw m 10 x 25, d933
14	04419865	2	pin
15	04419866	2	pin
16	01016112		adhesive H 699 - DEUTZ DW 59
17	0.013.9105.4	1	cylinder dx/rh/re COMPONENT PARTS SEE COMPONENTS LIST ☞ 0.013.9105.4
18	0.013.9104.4	1	cylinder sx/lh/li COMPONENT PARTS SEE COMPONENTS LIST ☞ 0.013.9104.4
19	04422860/10	1	small plate
20	04450386	2	screw m 10 x 25
21	01168224	2	grease gun m 6
22	01098022	1	oil
23	04438682	2	ring

9_95352_01_0_0



Suggest:

For more complete manuals. Please go to the home page.

<https://www.ebooklibonline.com>

If the above button click is invalid. Please download this document first, and then click the above link to download the complete manual.

Thank you so much for reading

ELECTR. EQUIPMENT - SPRUNG FRONT AXLE

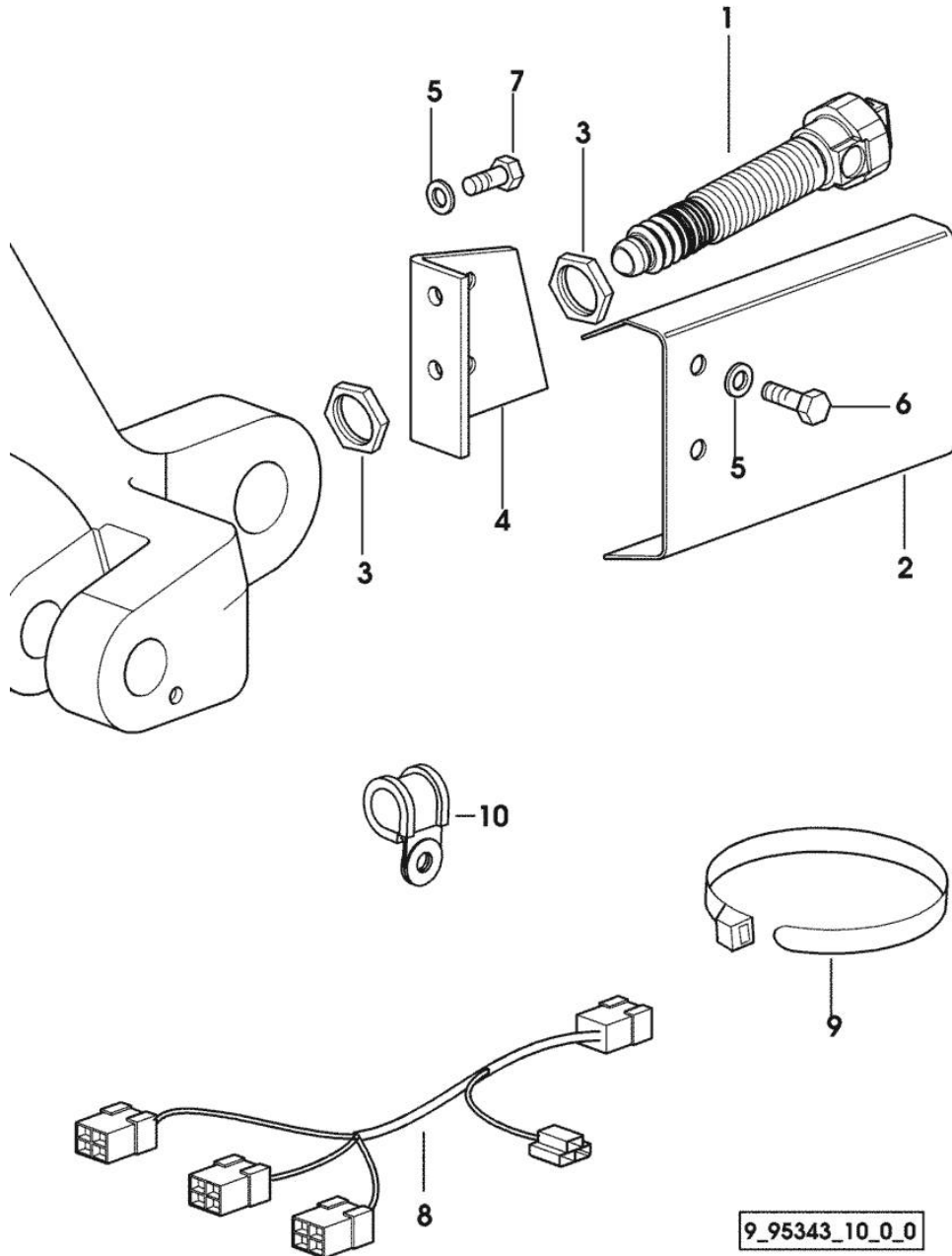


Fig.	P/n	QTY	Name
------	-----	-----	------

Notes:
[IRON 150 S]

1	0.009.2194.4	1	sensor
2	04422564	1	square
3	01127817	2	nut M24x1.5
4	04426199.4	1	console
5	01138374	4	washer 8,4x21x4
6	01112333	2	screw m 8 x 25, d933
7	01112299	2	screw m 8 x 12, d933
8	04437849	1	electrical system
9	01080571	10	band 172X4.6
10	04327529	1	fascia 10,7

9_95343_10_0_0

FRONT CARRIER SUSPENSION SYSTEM

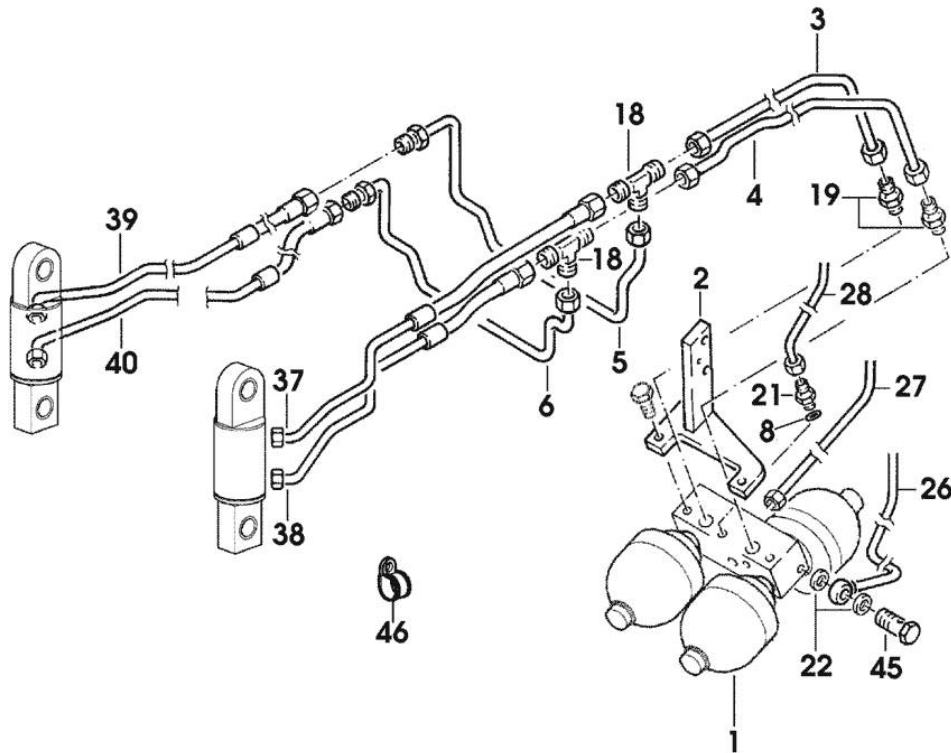


Fig.	P/n	QTY	Name
------	-----	-----	------

Notes:
[IRON 150 S]

1	04450418	1	valve COMPONENT PARTS SEE COMPONENTS LIST ☞ 04450418
2	04418924	1	support
3	04419900.4	1	pipng
4	04419901.4	1	pipng
5	04418058	1	pipng
6	04418059	1	pipng
8	01138374	4	washer 8,4x21x4
18	01127372	2	pipe fitting 1 15 d3908
19	01177226	3	pipe fitting m 18 p.1.5 x 15
21	01180557	1	pipe fitting m 12 p.1.5x8
22	01172949	2	oil seal 16.7
26	04437821	1	pipng
27	04437822	1	tube
28	04437823	1	tube
37	04437748	1	flexible hose sx/lh/li
38	04437749	1	flexible hose sx/lh/li
39	04438085	1	flexible hose dx/rh/re
40	04438086	1	flexible hose dx/rh/re
45	01119246	1	pipe union H 3102 -D10 M
46	01174437	4	clamp

9_A3682_11_0_A

<https://www.ebooklibonline.com>

Hello dear friend!

Thank you very much for reading.

Enter the link into your browser.

The full manual is available for immediate download.

<https://www.ebooklibonline.com>