

IRON 150 CONTINUO DCR

Section: G0 - BODYWORK - CAB

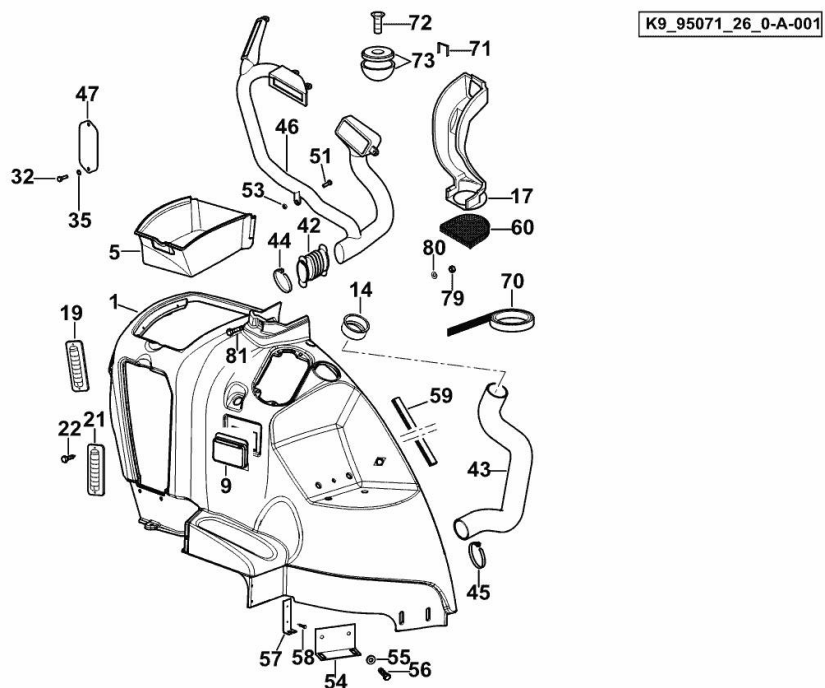
Ref: G0.06.18 (1)

CONTROL CONSOLE SX/LH/LI

Fig.	P/n	QTY	Name
------	-----	-----	------

Notes:

[IRON 150 CONTINUO DCR] 10022 <-



1	0.018.6967.4/10	1	console sx/lh/li
5	04429274/10	1	glove pocket
9	04412336	1	ashtray
14	04431564	1	pipe fitting
17	04451226	1	canal sx/lh/li
19	04411423	1	mixer
21	04429278/10	1	mixer
22	04426906	9	screw 4.2x16
32	2.0350.253.3	9	screw m 3.5 x 9.5 AB
35	01119810	9	washer 6.4
42	0.011.5581.0	1	boot
43	04431843	1	flexible hose
44	2.6852.203.0	1	clamp 292 x 4.8
45	01137413	1	fascia Ø 32/50
46	04429710/10	1	air shaft
47	0.011.3788.0	1	plate
51	2.0114.011.2	1	screw m 6 p,1x30
53	04426353	4	rivet
54	04429870	1	support
55	2.0114.209.2	2	screw m 8 x 25
56	2.1549.599.2	2	washer 9x30x3
57	04429758	1	support
58	01127683	2	screw m 4.2x13
59	04418723	1	profile
60	0.011.5949.0	1	protective mesh
70	01171694	2	clamp 172X4.6
71	04450845	20	brace
72	2.0342.207.6	1	screw m 6 p,1 x 25
73	04419538	1	cap
79	2.1120.003.2	2	self-locking nut m 6
80	06214189	2	washer 6.4
81	2.0114.211.2	1	screw m 8 x 30

IRON 150 CONTINUO DCR

Section: G0 - BODYWORK - CAB

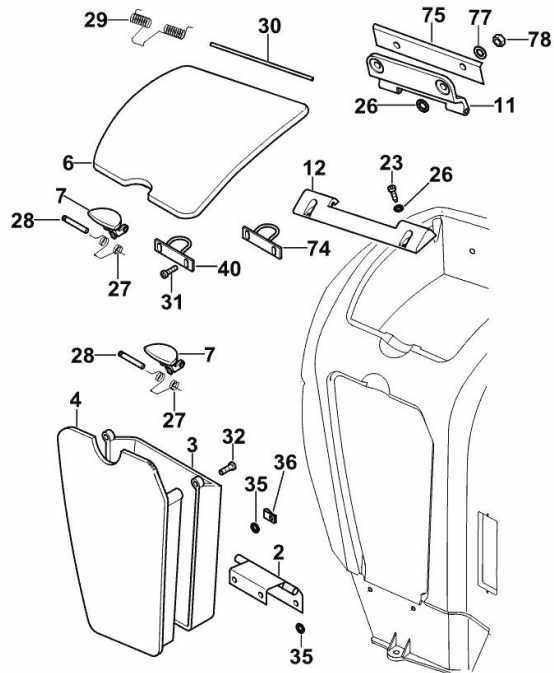
Ref: G0.06.19 (1)

CONTROL CONSOLE SX/LH/LI

Fig.	P/n	QTY	Name
------	-----	-----	------

Notes:

[IRON 150 CONTINUO DCR] 10022 <-



K9_95071_26_0-B-001

2	0.010.9992.2	1	hinge
3	04429198	1	glove pocket
4	04429199	1	cover
6	04429286	1	cover
7	0.010.9955.0/10	2	handle
11	0.010.9987.0	1	hinge
12	0.010.9988.0/10	1	hinge
23	04419646	4	self tapping screw
26	2.1310.028.2	4	flat washer
27	2.4099.120.3/10	2	spring
28	2.1699.510.2	2	pin
29	2.4099.135.2	1	spring
30	2.1659.520.3	1	pin
31	04412976	4	screw 4.8x19
32	2.0350.253.3	9	screw m 3.5 x 9.5 AB
35	01119810	9	washer 6.4
36	2.6999.064.6	2	special nut m 6
40	04429682	1	support
74	04429203	1	support
75	04451325	1	support
77	2.1310.002.2	2	flat washer 6.4x12.5
78	2.1120.003.2	7	self-locking nut m 6

IRON 150 CONTINUO DCR

Section: G0 - BODYWORK - CAB

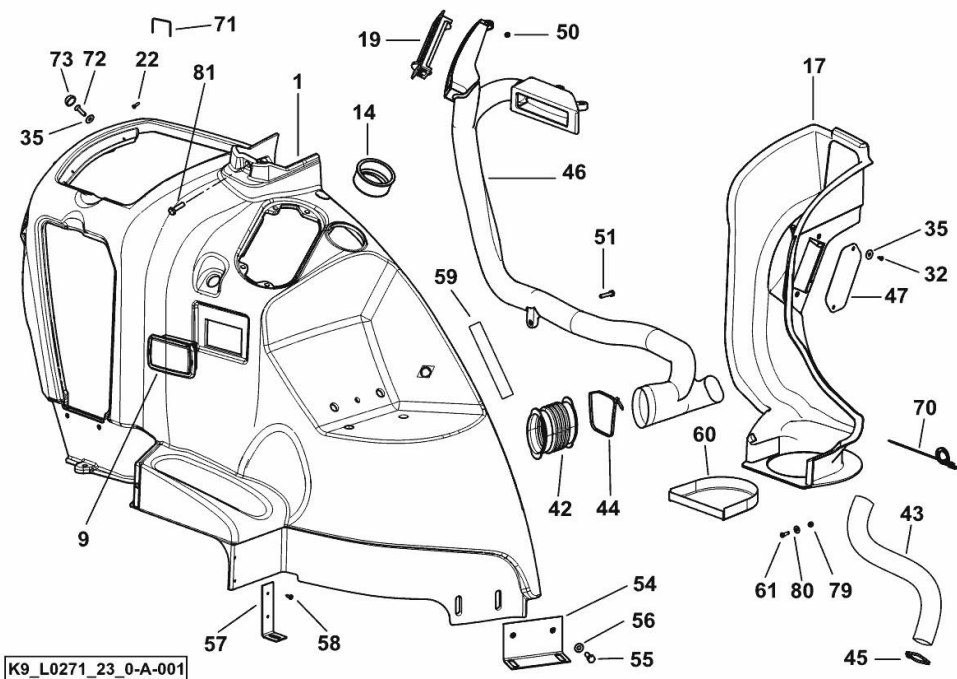
Ref: G0.06.20 (1)

CONTROL CONSOLE - SX/LH/LI

Fig.	P/n	QTY	Name
------	-----	-----	------

Notes:

[IRON 150 CONTINUO DCR] -> 10023 - 10033 <-



1	0.016.7006.2/10	1	console
9	04412336	1	ashtray
14	04431564	1	pipe fitting
17	04451226	1	canal sx/lh/li
19	04411423	1	mixer
22	04426906	9	screw 4.2x16
32	2.0350.253.3	9	screw m 3.5 x 9.5 AB
35	01119810	9	washer 6.4
42	0.011.5581.0	1	boot
43	04431843	1	flexible hose
44	2.6852.203.0	1	clamp 292 x 4.8
45	01137413	1	fascia Ø 32/50
46	04429710/10	1	air shaft
47	0.011.3788.0	1	plate
50	2.1120.003.2	3	self-locking nut m 6
51	2.0114.011.2	1	screw m 6 p,1x30
54	04429870	1	support (10028 <-)
54	0.018.8661.3	1	support (-> 10029)
55	2.0114.209.2	2	screw m 8 x 25
56	01138374	2	washer 8,4x21x4
57	04429758	1	support
58	01127683	2	screw m 4.2x13
59	04418723	1	profile
60	0.011.5949.0	1	protective mesh
61	2.0114.007.2	2	screw m 6 p.1 x 20
70	01171694	2	clamp 172X4.6
71	04450845	20	brace
72	2.0342.207.6	1	screw m 6 p.1 x 25
73	04419538	1	cap
79	2.1120.003.2	2	self-locking nut m 6
80	06214189	2	washer 6.4
81	2.0114.211.2	1	screw m 8 x 30

<https://www.ebooklibonline.com>

Hello dear friend!

Thank you very much for reading.

Enter the link into your browser.

The full manual is available for immediate download.

<https://www.ebooklibonline.com>

IRON 150 CONTINUO DCR

Section: G0 - BODYWORK - CAB

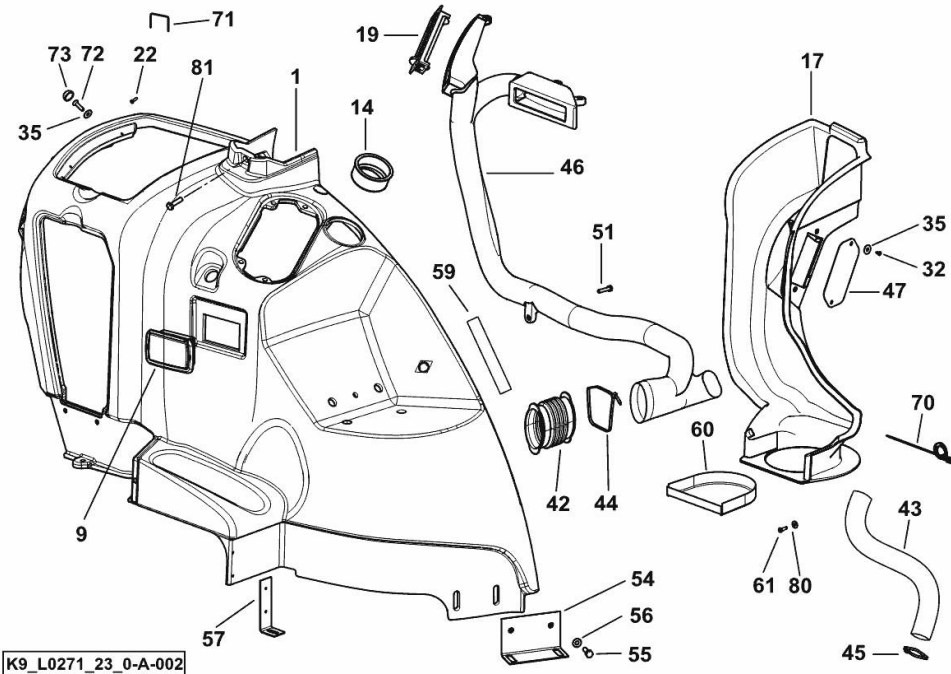
Ref: G0.06.20 (2)

CONTROL CONSOLE - SX/LH/LI

Fig.	P/n	QTY	Name
------	-----	-----	------

Notes:

[IRON 150 CONTINUO DCR] -> 10034



1	0.018.6967.4/10	1	console sx/lh/li
9	04412336	1	ashtray
14	04431564	1	pipe fitting
17	04451226	1	canal sx/lh/li
19	04411423	1	mixer
22	04426906	9	screw 4.2x16
32	2.0350.253.3	9	screw m 3.5 x 9.5 AB
35	01119810	9	washer 6.4
42	0.011.5581.0	1	boot
43	04431843	1	flexible hose
44	2.6852.203.0	1	clamp 292 x 4.8
45	01137413	1	fascia Ø 32/50
46	04429710/10	1	air shaft
47	0.011.3788.0	1	plate
51	2.0114.011.2	1	screw m 6 p.1x30
54	04429870	1	support
55	2.0114.209.2	2	screw m 8 x 25
56	2.1549.599.2	2	washer 9x30x3
57	04429758	1	support
59	04418723	1	profile
60	0.011.5949.0	1	protective mesh
61	2.0114.007.2	2	screw m 6 p.1 x 20
70	01171694	2	clamp 172X4.6
71	04450845	20	brace
72	2.0342.207.6	1	screw m 6 p.1 x 25
73	04419538	1	cap
80	06214189	2	washer 6.4
81	2.0114.211.2	1	screw m 8 x 30

IRON 150 CONTINUO DCR

Section: G0 - BODYWORK - CAB

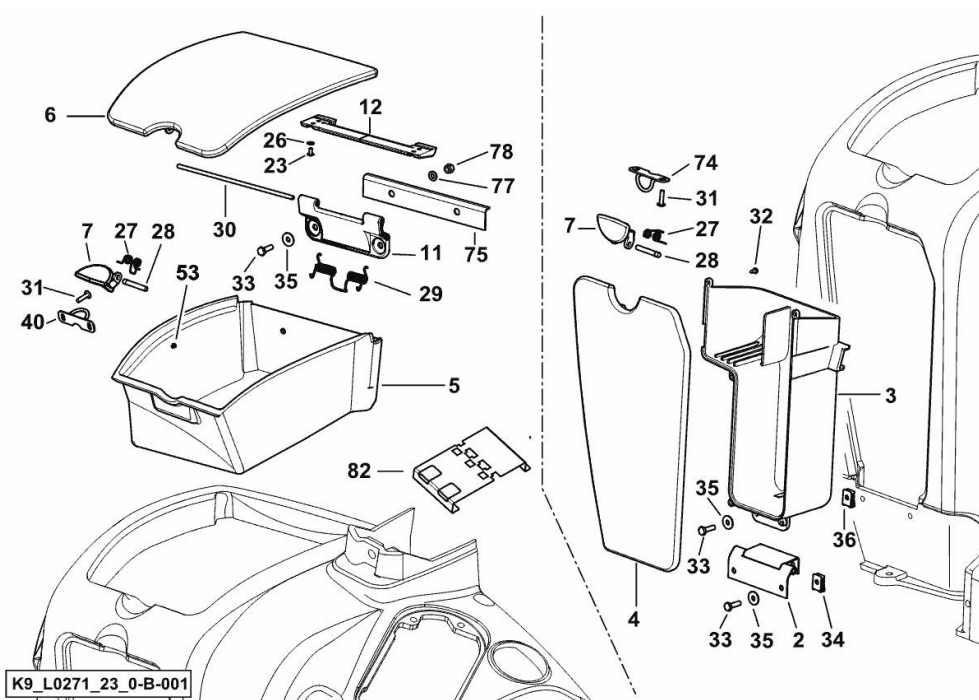
Ref: G0.06.21 (1)

CONTROL CONSOLE - SX/LH/LI

Fig.	P/n	QTY	Name
------	-----	-----	------

Notes:

[IRON 150 CONTINUO DCR] -> 10023 - 10033 <-



2	0.010.9992.2	1	hinge
3	04429198	1	glove pocket
4	04429199	1	cover
5	04429274/10	1	glove pocket
6	04429286	1	cover
7	0.010.9955.0	2	handle
11	0.010.9987.0	1	hinge
12	0.010.9988.0/10	1	hinge
23	04419646	4	self tapping screw
26	2.1310.028.2	4	flat washer
27	2.4099.120.3/10	2	spring
28	2.1699.510.2	2	pin
29	2.4099.135.2	1	spring
30	2.1659.520.3	1	pin
31	04412976	4	screw 4.8x19
32	2.0350.253.3	9	screw m 3.5 x 9.5 AB
33	2.0114.007.2	8	screw m 6 p.1 x 20
34	04429941	4	special nut
35	01119810	9	washer 6.4
36	2.6999.064.6	2	special nut m 6
40	04429682	1	support
53	04426353	4	rivet
74	04429203	1	support
75	04451325	1	support
77	2.1310.002.2	2	flat washer 6.4x12.5
78	2.1120.003.2	2	self-locking nut m 6
82	0.017.0773.0/10	1	support

IRON 150 CONTINUO DCR

Section: G0 - BODYWORK - CAB

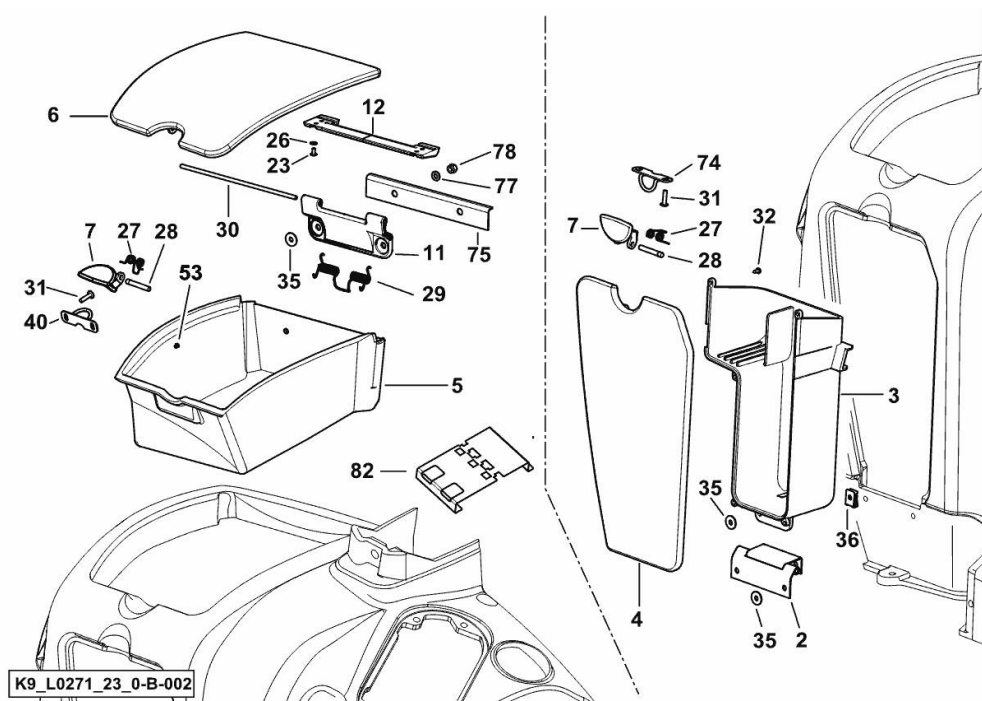
Ref: G0.06.21 (2)

CONTROL CONSOLE - SX/LH/LI

Fig.	P/n	QTY	Name
------	-----	-----	------

Notes:

[IRON 150 CONTINUO DCR] -> 10034



2	0.010.9992.2	1	hinge
3	04429198	1	glove pocket
4	04429199	1	cover
5	04429274/10	1	glove pocket
6	04429286	1	cover
7	0.010.9955.0/10	2	handle
11	0.010.9987.0	1	hinge
12	0.010.9988.0/10	1	hinge
23	04419646	4	self tapping screw
26	2.1310.028.2	4	flat washer
27	2.4099.120.3/10	2	spring
28	2.1699.510.2	2	pin
29	2.4099.135.2	1	spring
30	2.1659.520.3	1	pin
31	04412976	4	screw 4.8x19
32	2.0350.253.3	9	screw m 3.5 x 9.5 AB
35	01119810	9	washer 6.4
36	2.6999.064.6	2	special nut m 6
40	04429682	1	support
53	04426353	4	rivet
74	04429203	1	support
75	04451325	1	support
77	2.1310.002.2	2	flat washer 6.4x12.5
78	2.1120.003.2	7	self-locking nut m 6
82	0.017.0773.0/10	1	support

IRON 150 CONTINUO DCR

Section: G0 - BODYWORK - CAB

Ref: G0.06.22 (1)

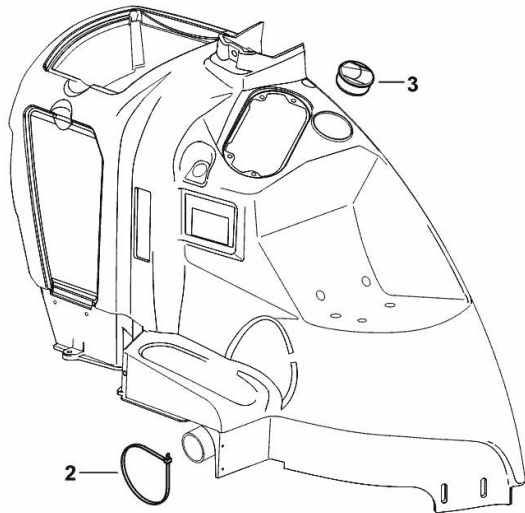
CONTROL CONSOLE SX/LH/LI

Fig.	P/n	QTY	Name
------	-----	-----	------

Notes:

[IRON 150 CONTINUO DCR]

2	2.6852.203.0	1	clamp 292 x 4.8
3	04428870	2	mixer



K9_J2971_43_0-B-001

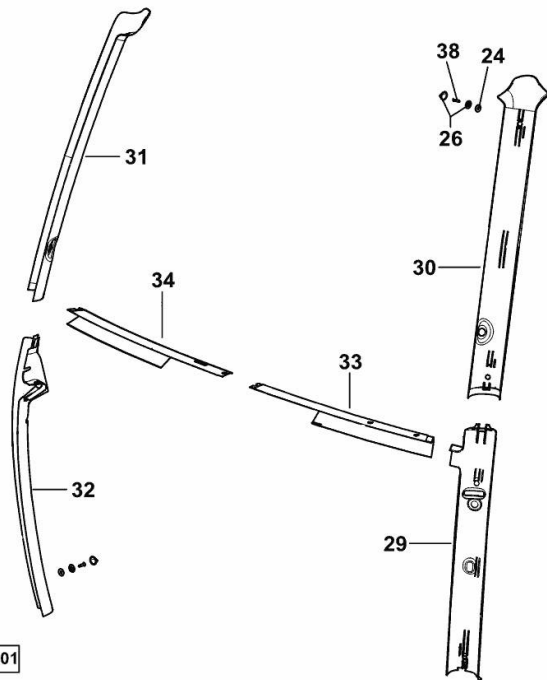
INTERNAL CAB LININGS

Fig.	P/n	QTY	Name
------	-----	-----	------

Notes:

[IRON 150 CONTINUO DCR] 10010 <-

24	2.1312.003.2	12	washer 6
26	04419538	12	cap
29	04418683	1	lining sx/lh/li
30	0.015.4072.0	1	lining sx/lh/li
31	0.015.4076.0	1	lining dx/rh/re
32	04418685	1	lining dx/rh/re
33	04436094	1	lining sx/lh/li
34	04436095	1	lining dx/rh/re
38	2.0351.559.3	8	screw m 4.8x32



K9_J6671_33_0-B-001

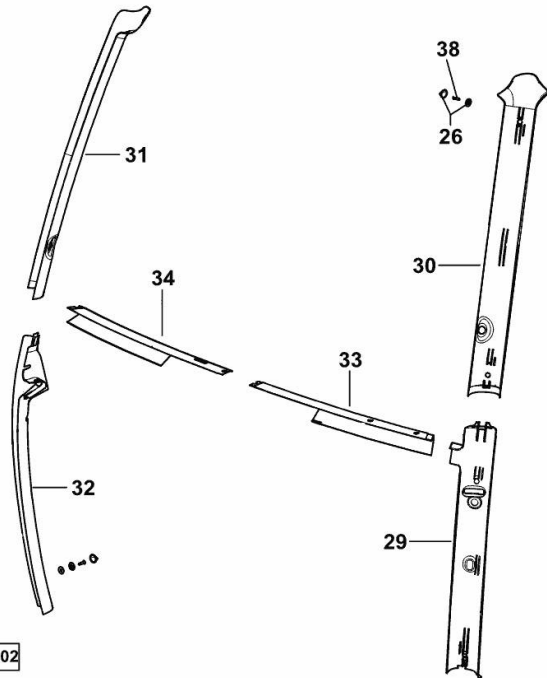
INTERNAL CAB LININGS

Fig.	P/n	QTY	Name
------	-----	-----	------

Notes:

[IRON 150 CONTINUO DCR] -> 10011 - 10022 <-

26	04419538	12	cap
29	04418683	1	lining sx/lh/li
30	0.015.4072.0	1	lining sx/lh/li
31	0.015.4076.0	1	lining dx/rh/re
32	04418685	1	lining dx/rh/re
33	04436094	1	lining sx/lh/li
34	04436095	1	lining dx/rh/re
38	2.0351.559.3	8	screw m 4.8x32



K9_J6671_33_0-B-002

IRON 150 CONTINUO DCR

Section: G0 - BODYWORK - CAB

Ref: G0.06.24 (1)

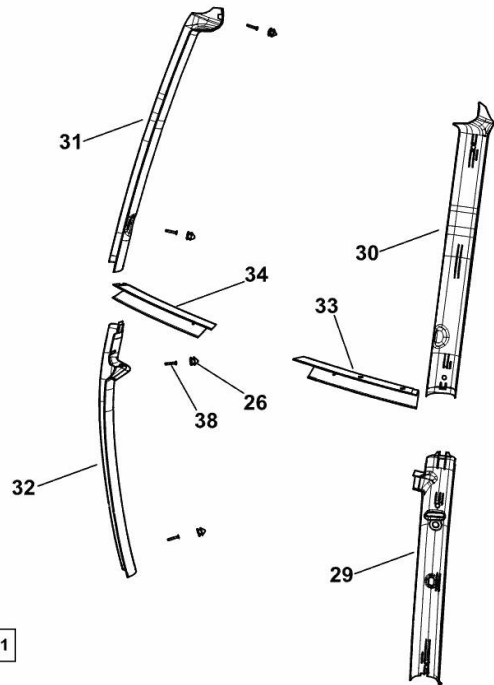
INTERNAL CAB LININGS SX/LH/LI - DX/RH/RE

Fig.	P/n	QTY	Name
------	-----	-----	------

Notes:

[IRON 150 CONTINUO DCR] -> 10023 <- FOR TYPES WITH FIXED FRONT WINDSCREEN [IRON 150 CONTINUO DCR] -> 10024 - 10039 <-

26	04419538	8	cap
29	0.016.4293.0	1	cover sx/lh/li
30	0.016.4287.0/10	1	cover sx/lh/li
31	0.016.4290.0/10	1	cover dx/rh/re
32	0.017.0363.0	1	cover dx/rh/re
33	0.016.4299.0	1	cover sx/lh/li
34	0.016.4298.0	1	cover dx/rh/re
38	2.0351.559.3	8	screw m 4.8x32



K9_R5171_20_0-A-001

IRON 150 CONTINUO DCR

Section: G0 - BODYWORK - CAB

Ref: G0.06.24 (2)

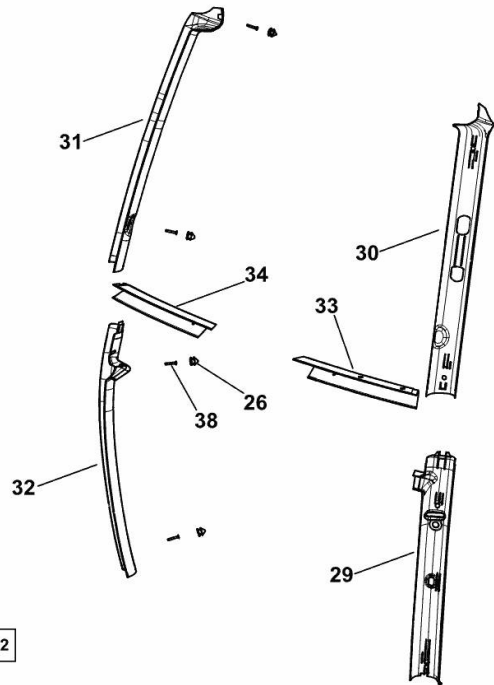
INTERNAL CAB LININGS SX/LH/LI - DX/RH/RE

Fig.	P/n	QTY	Name
------	-----	-----	------

Notes:

FOR TYPES WITH FIXED FRONT WINDSCREEN [IRON 150 CONTINUO DCR]

26	04419538	8	cap
29	0.016.4293.0	1	cover sx/lh/li
30	0.016.4287.0/20	1	cover sx/lh/li
31	0.016.4290.0/10	1	cover dx/rh/re
32	0.017.0363.0	1	cover dx/rh/re
33	0.016.4299.0	1	cover sx/lh/li
34	0.016.4298.0	1	cover dx/rh/re
38	2.0351.559.3	8	screw m 4.8x32



K9_R5171_20_0-A-002

IRON 150 CONTINUO DCR

Section: G0 - BODYWORK - CAB

Ref: G0.06.25 (1)

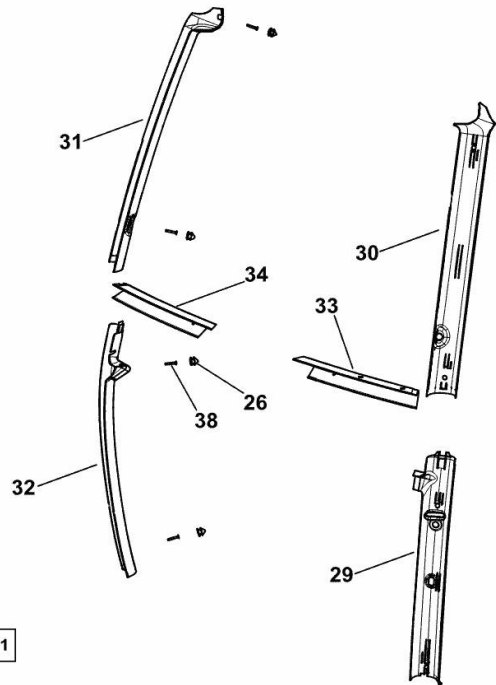
INTERNAL CAB LININGS SX/LH/LI - DX/RH/RE

Fig.	P/n	QTY	Name
------	-----	-----	------

Notes:

FOR TYPES W/ OPENABLE FRONT WINDSCREEN [IRON 150 CONTINUO DCR] -> 10030 - 10037 <-

26	04419538	8	cap
29	0.016.4293.0	1	cover sx/lh/li
30	0.017.9970.0	1	cover sx/lh/li
31	0.017.9971.0	1	cover dx/rh/re
32	0.017.0363.0	1	cover dx/rh/re
33	0.016.4299.0	1	cover sx/lh/li
34	0.016.4298.0	1	cover dx/rh/re
38	2.0351.559.3	8	screw m 4.8x32



K9_R5071_20_0-A-001

IRON 150 CONTINUO DCR

Section: G0 - BODYWORK - CAB

Ref: G0.06.25 (2)

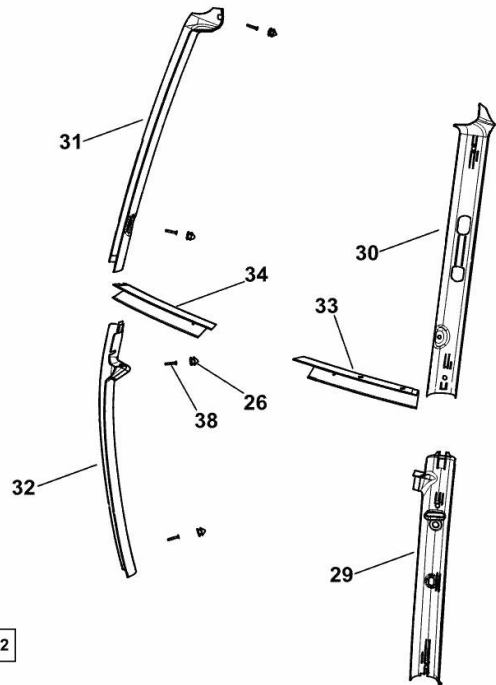
INTERNAL CAB LININGS SX/LH/LI - DX/RH/RE

Fig.	P/n	QTY	Name
------	-----	-----	------

Notes:

FOR TYPES W/ OPENABLE FRONT WINDSCREEN [IRON 150 CONTINUO DCR]

26	04419538	8	cap
29	0.016.4293.0	1	cover sx/lh/li
30	0.017.9970.0/10	1	cover sx/lh/li
31	0.017.9971.0	1	cover dx/rh/re
32	0.017.0363.0	1	cover dx/rh/re
33	0.016.4299.0	1	cover sx/lh/li
34	0.016.4298.0	1	cover dx/rh/re
38	2.0351.559.3	8	screw m 4.8x32



K9_R5071_20_0-A-002



Suggest:

For more complete manuals. Please go to the home page.

<https://www.ebooklibonline.com>

If the above button click is invalid. Please download this document first, and then click the above link to download the complete manual.

Thank you so much for reading

IRON 150 CONTINUO DCR

Section: G0 - BODYWORK - CAB

Ref: G0.06.26 (1)

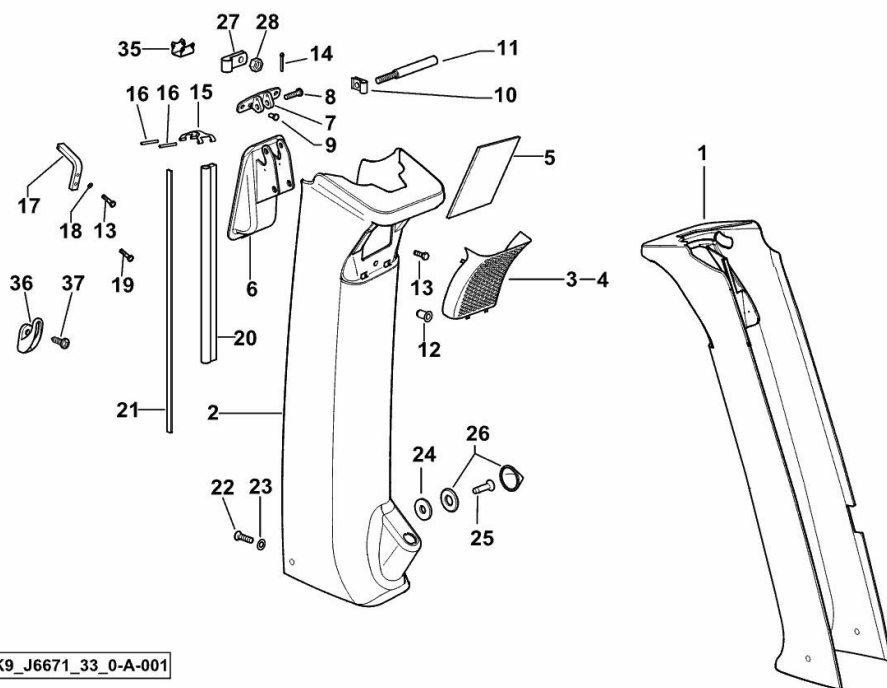
INTERNAL CAB LININGS

Fig.	P/n	QTY	Name
------	-----	-----	------

Notes:

[IRON 150 CONTINUO DCR] 10016 <-

1	0.010.9924.0/20	1	lining sx/lh/li
2	0.010.9925.0/20	1	lining dx/rh/re
3	04429279	1	grille sx/lh/li
4	04429280	1	grille dx/rh/re
5	0.011.3775.0	2	filter
6	0.010.9688.0/10	2	switch
7	0.010.9689.0/10	2	support
8	2.1671.111.2	2	pin 6x38
9	2.1856.307.0	4	rivet 4.8x12
10	2.1680.004.2	2	clip Ø 8
11	2.1699.523.2	2	pin
12	2.1142.010.2	2	insert m 6
13	2.0112.005.2	4	screw m 6 p.1 x 16
14	2.1690.106.2	2	split pin 1.6x16
15	0.011.7132.0	2	spring
16	2.1631.317.2	4	pin Ø 4x40
17	0.011.7034.0/10	2	bracket
18	2.1310.002.2	2	flat washer 6.4x12.5
19	2.0112.005.2	2	screw m 6 p.1 x 16
20	0.011.4085.0/20	2	gasket mm 390
21	0.011.0057.0/10	2	gasket
22	2.0350.405.3	2	screw m 4.2 x 16
23	2.1310.001.2	2	flat washer 5.3 x 10
24	2.1312.003.2	12	washer 6
25	2.0351.556.3	4	screw 4.8x19
26	04419538	12	cap
27	2.6859.065.2	1	clamp Ø 18
28	2.1121.105.2	1	nut m 8 x 1
35	04418149/10	2	clip
36	0.007.6732.0	1	coat hanger
37	2.0350.255.3	2	screw m 3.5 x 16 -AB-



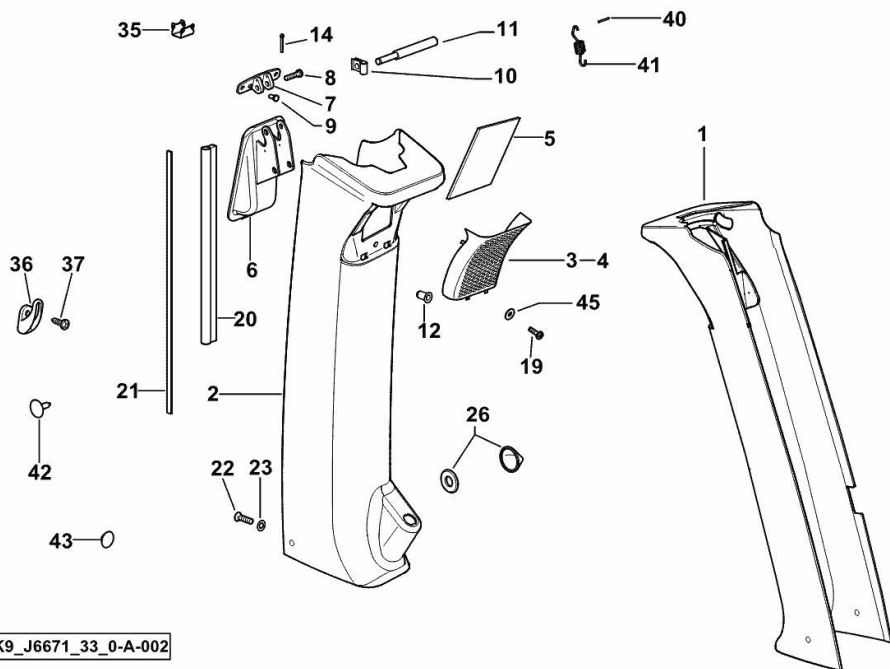
INTERNAL CAB LININGS

Fig.	P/n	QTY	Name
------	-----	-----	------

Notes:

[IRON 150 CONTINUO DCR] -> 10017 - 10022 <-

1	0.010.9924.0/40	1	lining sx/lh/li
2	0.010.9925.0/40	1	lining dx/rh/re
3	04429279	1	grille sx/lh/li
4	04429280	1	grille dx/rh/re
5	0.011.3775.0	2	filter
6	0.010.9688.0/10	2	switch
7	0.010.9689.0/10	2	support
8	2.1671.111.2	2	pin 6x38
9	2.1856.307.0	4	rivet 4.8x12
10	2.1680.004.2	2	clip Ø 8
11	2.1699.523.2	2	pin
12	2.1142.010.2	2	insert m 6
14	2.1690.106.2	2	split pin 1.6x16
19	2.0330.407.2	2	screw m 6 p.1 x 20
20	0.011.4085.0/20	2	gasket mm 390
21	0.011.0057.0/10	2	gasket
22	2.0350.405.3	2	screw m 4.2 x 16
23	2.1310.001.2	2	flat washer 5.3 x 10
26	04419538	12	cap
35	04418149/10	2	clip
36	0.007.6732.0	1	coat hanger
37	2.0350.253.3	2	screw m 3.5 x 9.5 AB
40	2.1630.111.0	2	roll pin 2.5x24
41	2.4049.216.2/10	2	spring
42	01175900	4	plug
43	04425759	2	cap
45	2.1312.003.2	2	washer 6



<https://www.ebooklibonline.com>

Hello dear friend!

Thank you very much for reading.

Enter the link into your browser.

The full manual is available for immediate download.

<https://www.ebooklibonline.com>