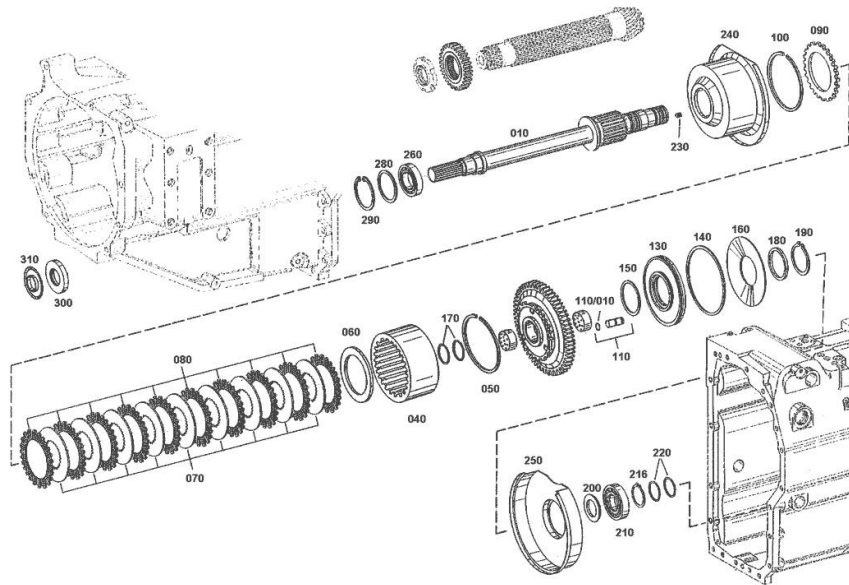


Section: GEAR
FRONT TRANSMISSION

Fig.	P/n	QTY	Name
------	-----	-----	------

Notes:
 [IRON 140 S]



10	0.900.0121.9	1	shaft Z = 32 -> (...)
10	04415926	1	shaft (...) <-
40	04416804	1	support z = 27
50	04415928	1	ring
60	0.010.2875.2	1	shim mm 7.3
60	04416588	1	shim mm 5.5
60	04416589	1	shim mm 5.7
60	04416590	1	shim mm 5.9
60	04416591	1	shim mm 6.1
60	04416592	1	shim mm 6.3
60	04416593	1	shim mm 6.5
60	04416594	1	shim mm 6.7
60	04416595	1	shim mm 6.9
60	04416596	1	shim mm 7.1
60	04416598	1	shim mm 7.5
60	04416599	1	shim mm 7.7
60	04416600	1	shim mm 7.9
60	04416601	1	shim mm 8.1
60	04416602	1	shim mm 8.3
60	04416603	1	shim mm 8.5
60	04416604	1	shim mm 8.7
70	04415930	9	disc
80	04416412	10	disc
90	04415932	1	disc
100	04415933	1	circlip mm 2.5
110	0.010.2876.0	3	pin
110.10	0.010.3258.2	3	oil seal 12x2.5
130	04427572	1	piston
140	04415936	1	ring
150	04415937	1	ring
160	04415938	1	spring
170	04415939	2	ring 45x2
180	04436290	1	washer
190	0.010.2876.1	1	circlip 68x2.5
200	04415941	1	washer
210	04415942	1	bearing
216	0.010.2876.2	1	circlip 40x2.5
220	04416364	2	ring 40x2
230	0.900.0067.3	1	plug

Section: GEAR

FRONT TRANSMISSION

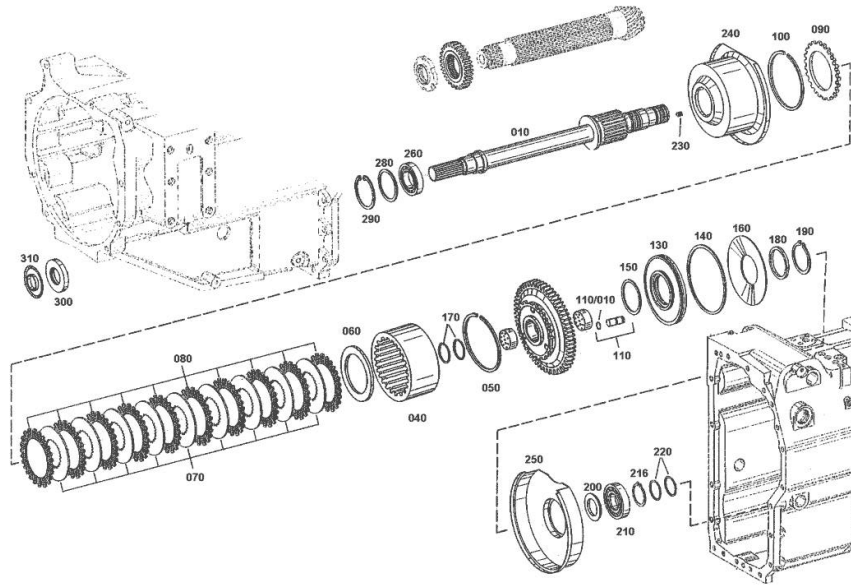


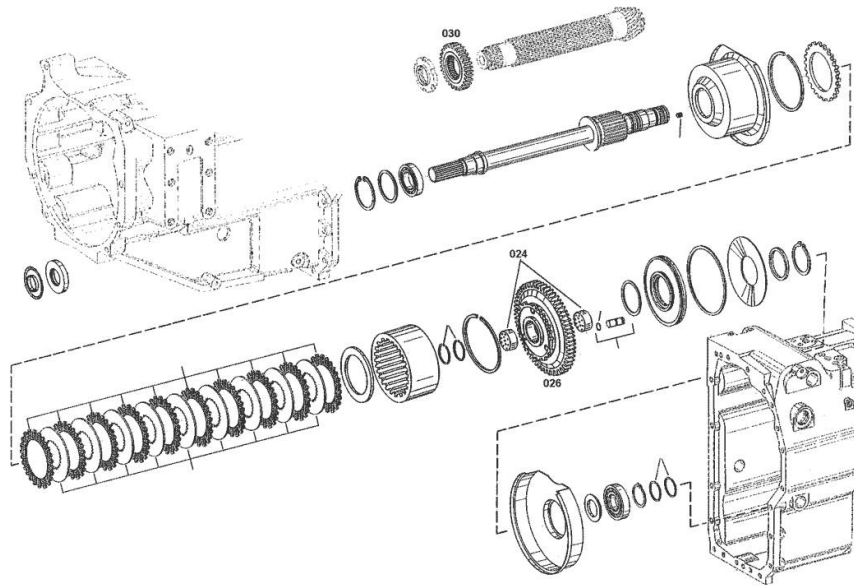
Fig.	P/n	QTY	Name
			-> (...)
230	04415944	1	screw m 6 x 8
			(...) <-
240	04415945	1	plate
250	04415946	1	plate
260	0.010.2877.0	1	ball bearing
280	0.010.3259.0	1	washer mm 2.00
280	0.010.3259.1	1	washer mm 2.05
280	0.010.3259.2	1	washer mm 2.10
280	0.010.3260.0	1	washer mm 2.15
280	0.010.3260.1	1	washer mm 2.25
280	0.010.3260.2	1	washer mm 2.35
280	0.010.3261.0	1	washer mm 2.45
280	0.010.3261.1	1	washer mm 2.55
280	0.010.3261.2	1	washer mm 2.65
280	04417009	1	washer mm 2.20
280	04417010	1	washer mm 2.30
280	04417011	1	washer mm 2.40
280	04417012	1	washer mm 2.50
280	04417013	1	washer mm 2.60
280	04417014	1	washer mm 2.70
280	04417015	1	washer mm 2.80
280	04424426	1	washer mm 2.90
280	04424427	1	washer mm 3.00
280	04424428	1	washer mm 3.10
280	04424429	1	washer mm 3.20
290	04415949	1	circlip 75x3
300	04415950	1	oil seal
310	04415951	1	plate

Section: GEAR
FRONT TRANSMISSION

Fig.	P/n	QTY	Name
------	-----	-----	------

Notes:
 [IRON 140 S]

24	04434385	2	bushing
26	0.010.2875.1	1	gear Z = 68
30	04416807	1	gear z = 33



<https://www.ebooklibonline.com>

Hello dear friend!

Thank you very much for reading.

Enter the link into your browser.

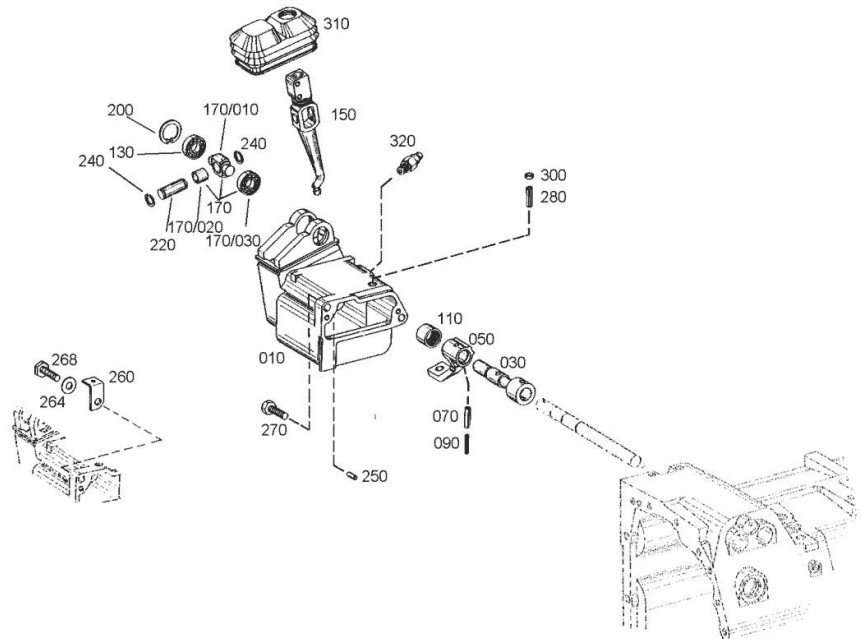
The full manual is available for immediate download.

<https://www.ebooklibonline.com>

GEARSHIFT CONTROL WITH HYDRAULIC SHUTTLE

Fig.	P/n	QTY	Name
------	-----	-----	------

Notes:
[IRON 140 S]



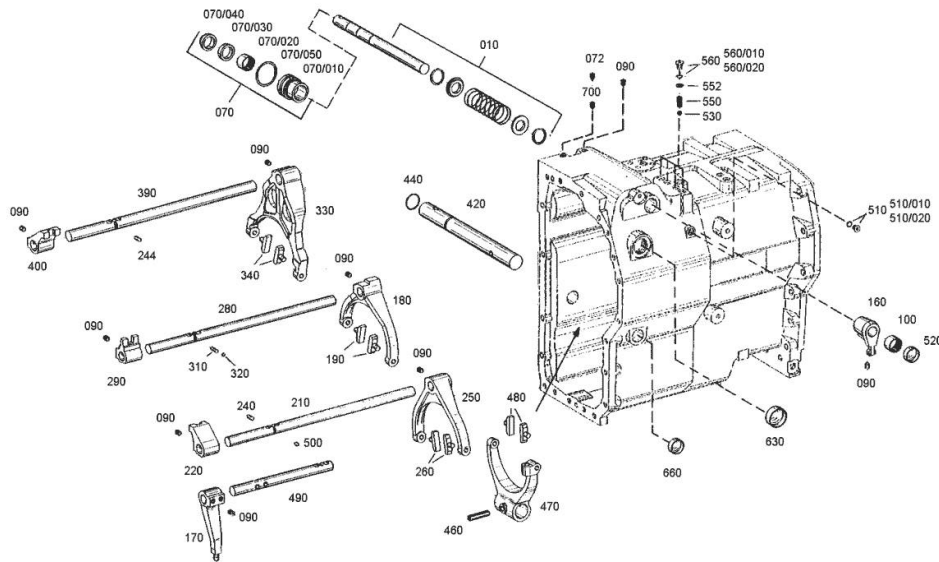
10	0.010.2908.2	1	casing
30	04416053	1	shaft
50	04416054	1	arm
70	04416707	1	pin 10x36
90	0.010.2617.1	1	pin 6x36
110	04416438	1	pin
130	04416057	1	bearing 20x42x12
150	04423361	1	gear lever
170	0.010.2884.2	1	universal joint
170.10	04416060	1	universal joint
170.20	04416061	1	bearing
170.30	04416057	1	bearing 20x42x12
200	0.010.2617.2	1	circlip 42x1.75
220	04416062	1	pin
240	04416063	2	circlip SW 20
250	04416064	2	pin 10 m 6x24
260	0.010.2885.0	1	support
264	04427605	2	ring
268	04433252	1	screw m 12 x 50
270	0.010.2885.1	1	screw m 12 x 40
280	04416440	1	pin 12x40
300	0.010.2885.2	1	cover 16
310	04416803	1	guard
320	04416066	1	switch

GEARSHIFT LEVER - WITH HYDRAULIC SHUTTLE - AT CREEP SPEED

Fig.	P/n	QTY	Name
------	-----	-----	------

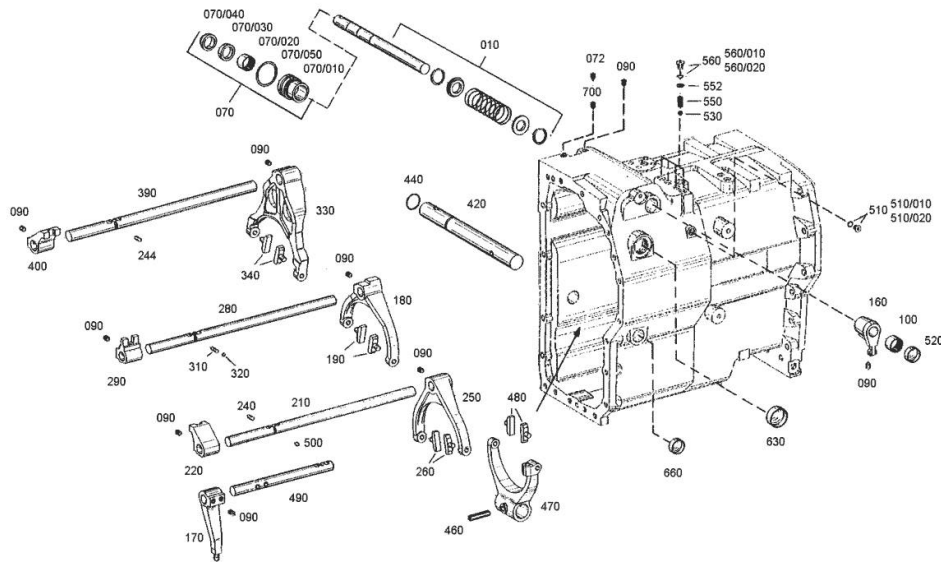
Notes:
[IRON 140 S]

10	0.010.2861.2	1	rod
70	0.010.2862.0	1	bushing
70.10	04415769	1	bush
70.20	04415772	1	bearing
70.30	04415773	1	oil seal 25x35x7
70.40	04415774	1	oil seal AS 25x35x7x10
70.50	04416048	1	oil seal 37x3
72	01272647	1	stud bolt L = 13.7
90	01272647	16	stud bolt L = 13.7
100	04415772	1	bearing
160	04416044	1	small lever
170	04415777	1	small lever
180	0.900.0121.6	1	clamp
190	04415779	2	shoe
210	04423248	1	guide
220	04415781	1	driver
240	04415782	1	pin
244	04415783	1	pin
250	04415784	1	fork
260	04415779	2	shoe
280	0.900.0121.7	1	rod
280	04423249	1	guide -> (...) (...) <-
290	04415786	1	driver A = 4.2
290	04424422	1	driver A = 3.6
290	04424423	1	driver A = 3.9
290	04424424	1	driver A = 4.5
290	04424425	1	control panel A = 4.8
310	01299482	1	spring
320	04415788	1	circlip B 7 din 7993
330	04423251	1	fork
340	04415779	2	shoe
390	04423250	1	rod
400	04415791	1	driver
420	04419231	1	rod
440	0.010.2862.1	1	oil seal 25x3
460	0.010.2862.2	1	pin 12x45
470	04415793	1	fork
480	04415779	2	shoe
490	04415794	1	rod



GEARSHIFT LEVER - WITH HYDRAULIC SHUTTLE - AT CREEP SPEED

Fig.	P/n	QTY	Name
500	04415795	1	pin
510	0.000.0000.1	1	cannot be supplied
510.10	04434512	1	plug m 10 p.1
510.20	04415683	1	oil seal 8x1.5
520	04433214	2	cover 32
530	04309268	4	ball
550	0.010.2907.1	4	spring
552	0.010.2907.2	4	washer
560	0.000.0000.1	4	cannot be supplied
560.10	0.010.2617.3	4	screw m 12 p.1.5
560.20	04415796	4	oil seal 9.5x2
630	01122153	1	cover 42
660	0.010.2863.0	1	cover 30
700	01272647	1	stud bolt L = 13.7

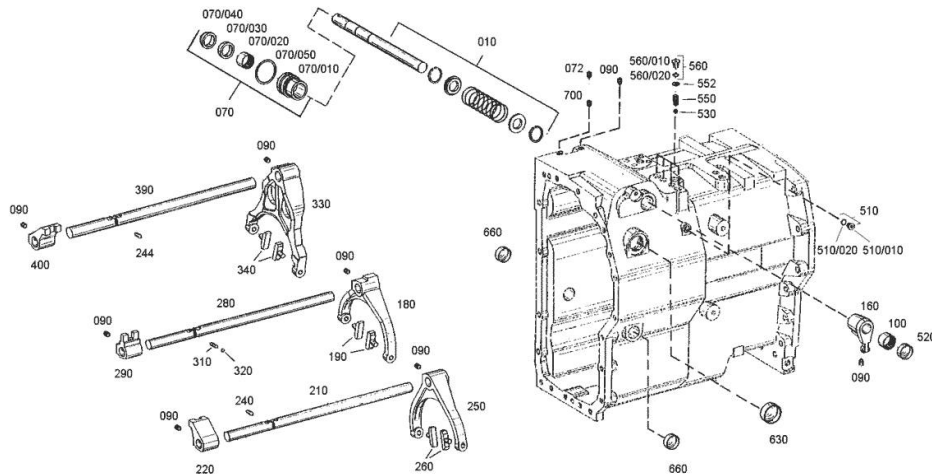


GEARSHIFT LEVER - WITH HYDRAULIC SHUTTLE - WITHOUT CREEP SPEED

Fig.	P/n	QTY	Name
------	-----	-----	------

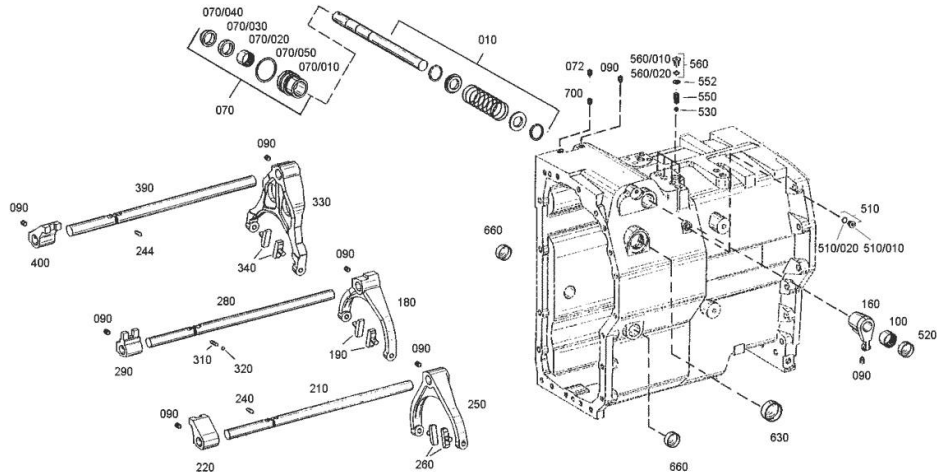
Notes:
[IRON 140 S]

10	0.010.2861.2	1	rod
70	0.010.2862.0	1	bushing
70.10	04415769	1	bush
70.20	04415772	1	bearing
70.30	04415773	1	oil seal 25x35x7
70.40	04415774	1	oil seal AS 25x35x7x10
70.50	04416048	1	oil seal 37x3
72	01272647	1	stud bolt L = 13.7
90	01272647	14	stud bolt L = 13.7
100	04415772	1	bearing
160	04416044	1	small lever
180	0.900.0121.6	1	clamp
190	04415779	2	shoe
210	04423248	1	guide
220	04415781	1	driver
240	04415782	1	pin
244	04415783	1	pin
250	04415784	1	fork
260	04415779	2	shoe
280	0.900.0121.7	1	rod -> (...)
280	04423249	1	guide (...) <-
290	04415786	1	driver A = 4.2
290	04424422	1	driver A = 3.6
290	04424423	1	driver A = 3.9
290	04424424	1	driver A = 4.5
290	04424425	1	control panel A = 4.8
310	01299482	1	spring
320	04415788	1	circlip B 7 din 7993
330	04423251	1	fork
340	04415779	2	shoe
390	04423250	1	rod
400	04415791	1	driver
510	0.000.0000.1	1	cannot be supplied
510.10	04434512	1	plug m 10 p.1
510.20	04415683	1	oil seal 8x1.5
520	04433214	1	cover 32
530	04309268	3	ball



GEARSHIFT LEVER - WITH HYDRAULIC SHUTTLE - WITHOUT CREEP SPEED

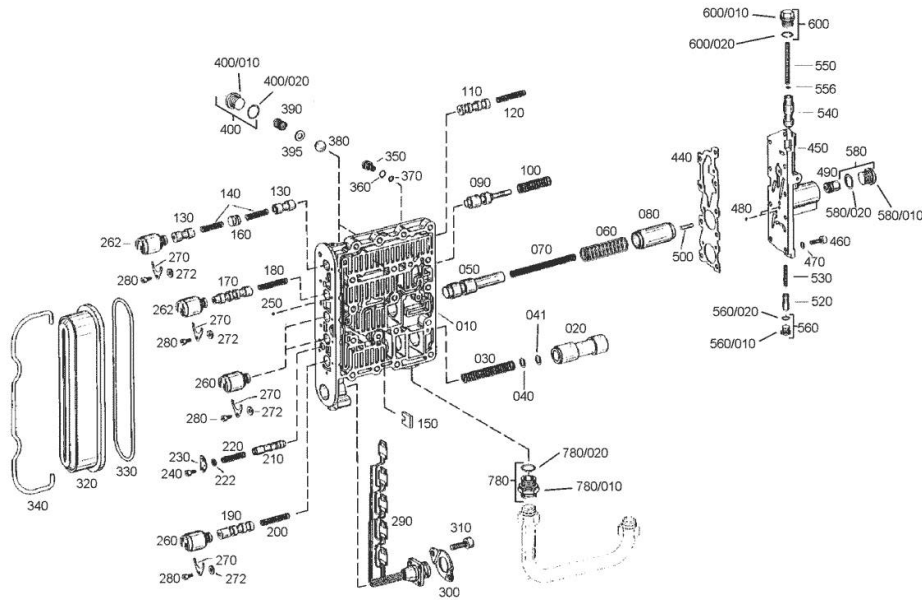
Fig.	P/n	QTY	Name
550	0.010.2907.1	3	spring
552	0.010.2907.2	4	washer
560	0.000.0000.1	4	cannot be supplied
560.10	0.010.2617.3	4	screw m 12 p.1.5
560.20	04415796	4	oil seal 9.5x2
630	01122153	1	cover 42
660	0.010.2863.0	2	cover 30
700	01272647	1	stud bolt L = 13.7



CONTROL UNIT - WITH HYDRAULIC SHUTTLE

Fig.	P/n	QTY	Name
------	-----	-----	------

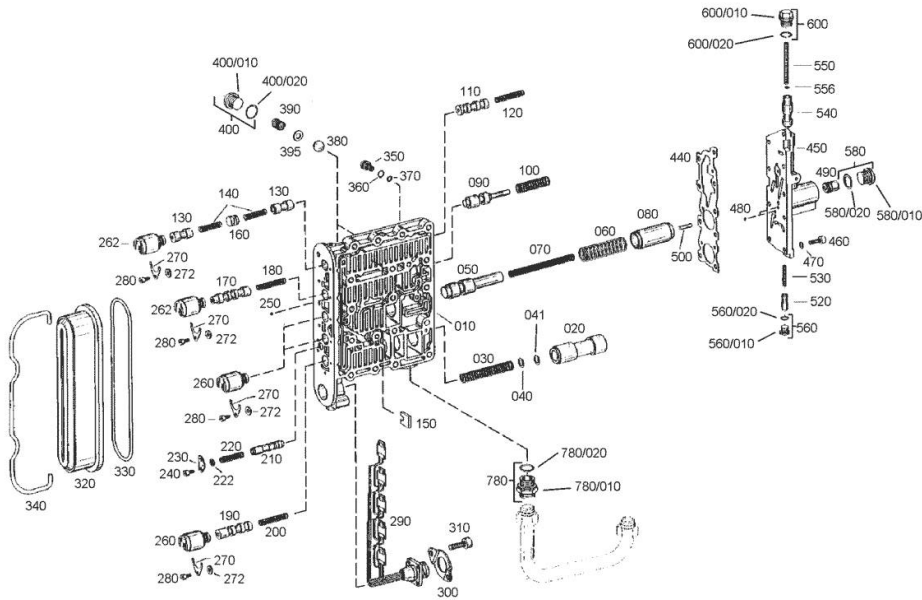
Notes:
[IRON 140 S]



10	04416824	1	spool valve
20	04423298	1	piston
30	04416657	1	spring
40	02371798	1	shim mm 10x16x0.2
40	04416658	1	shim mm 10x16x0.3
40	04416659	1	shim mm 10x16x0.4
40	04416660	1	shim mm 10x16x0.5
40	04416661	1	shim mm 10x16x1
41	04416661	3	shim mm 10x16x1
50	04416664	1	piston
60	04416665	1	spring
70	04416666	1	spring
80	04416825	1	piston
90	04417095	1	piston
100	04416669	1	spring
110	04416826	1	piston
120	04416671	1	spring
130	04423374	2	piston
140	04416828	2	spring
150	04416829	1	small plate
160	04416830	1	contact surface
170	04416831	1	piston
180	04416671	1	spring
190	04416833	1	piston
200	04416671	1	spring
210	04419156	1	valve
220	04416682	1	spring
222	04416832	1	ring
230	04419157	1	fan
240	04434505	2	screw m 5x10
250	04416684	10	ball
260	04416685	3	solenoid valve
262	04436315	2	solenoid valve
270	04416677	5	stop
272	04359458	5	washer mm 2.00
280	04434506	5	screw m 5 x 12
290	04416837	1	electrical system
300	04416687	1	plate
310	04434507	2	screw m 6 x 14
320	04416838	1	cover
330	04417233	1	ring 159.2x5.7

CONTROL UNIT - WITH HYDRAULIC SHUTTLE

Fig.	P/n	QTY	Name
340	04416690	1	bracket
350	04416691	1	diaphragm mm 0.8
350	04416692	1	diaphragm mm 0.75
350	04416693	1	diaphragm mm 0.7
360	04415683	1	oil seal 8x1.5
370	0.010.2618.1	1	oil seal 6x1.5
380	04416839	2	ball
390	04416942	2	spring
395	04416661	2	shim mm 10x16x1
400	0.000.0000.1	3	cannot be supplied
400.10	0.010.2618.2	3	screw m 18 p.1.5
400.20	02968175	3	oil seal 15x2
440	04416694	1	gasket
450	04416840	1	box
460	04434508	9	screw m 6 x 20
470	04416841	9	washer 6.4x12
480	04416684	5	ball
490	04416847	1	piston mm 20.5
490	04416848	1	piston mm 21.0
490	04416849	1	piston mm 21.5
490	04416850	1	piston mm 22.0
490	04417967	1	piston mm 22.5
490	04417968	1	piston mm 23.0
500	04416842	1	roller
520	04416843	1	piston
530	04416846	1	spring
540	04416844	1	piston
550	04416845	1	spring
556	04416851	1	shim 4x8x0.5
560	0.000.0000.1	1	cannot be supplied
560.10	0.010.2617.3	1	screw m 12 p.1.5
560.20	04415796	1	oil seal 9.5x2
580	0.000.0000.1	1	cannot be supplied
580.10	0.010.2619.0	1	screw m 20 p.1.5
580.20	0.010.2619.1	1	oil seal 17x2
600	0.000.0000.1	1	cannot be supplied
600.10	04416852	1	screw
600.20	02968175	1	oil seal 15x2
780	0.000.0000.1	1	cannot be supplied
780.10	04416944	1	vent
780.20	04416021	1	oil seal 27x2.5

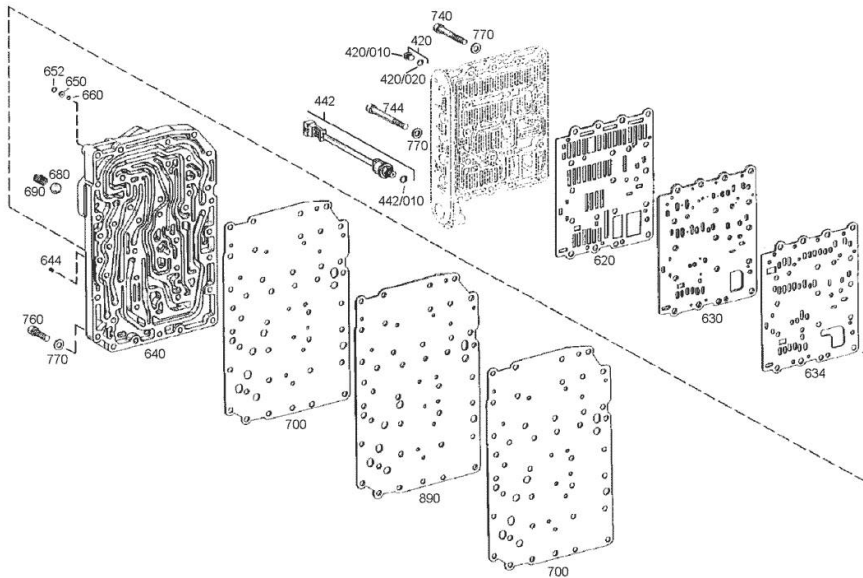


CONTROL UNIT - WITH HYDRAULIC SHUTTLE

Fig.	P/n	QTY	Name
------	-----	-----	------

Notes:
[IRON 140 S]

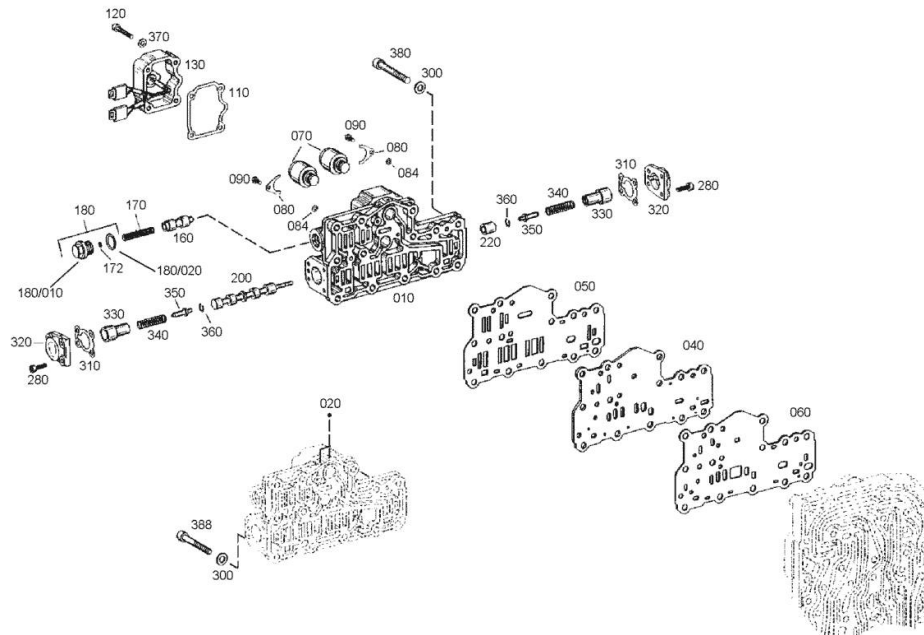
420	0.000.0000.1	11	cannot be supplied
420.10	04434512	11	plug m 10 p.1
420.20	04415683	11	oil seal 8x1.5
442	04431690	1	pressure switch
442.10	04415683	1	oil seal 8x1.5
620	04416853	1	gasket
630	0.010.2884.0	1	plate
634	04416855	1	gasket
640	0.900.0050.7	1	plate
644	04416857	1	diaphragm
650	04416858	1	washer
652	04416859	1	gasket 7x1.5
660	04416941	1	ball
680	04416839	1	ball
690	04416942	1	spring
700	04427608	2	gasket
740	04416701	16	screw m 8 x 65
744	04416702	1	screw m 8 x 90
760	04416703	10	screw m 8 x 32
770	04416940	27	washer 8.4
890	04427609	1	plate



Section: GEAR
HYDRAULIC CONTROL

Fig.	P/n	QTY	Name
------	-----	-----	------

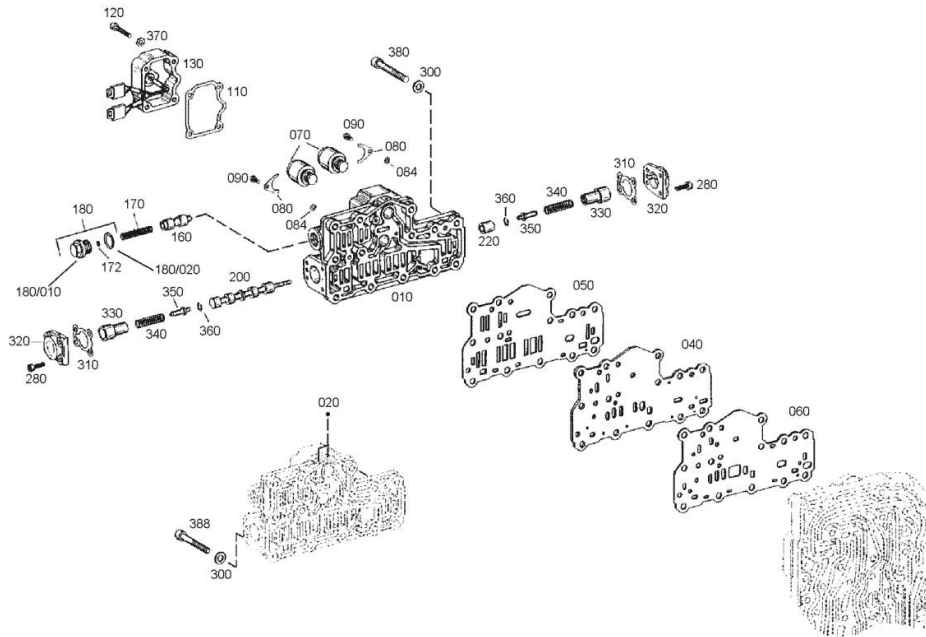
Notes:
 [IRON 140 S]



10	04435182	1	valve body
20	04416684	2	ball
40	04423365	1	plate
50	04416977	1	gasket
60	04416978	1	gasket
70	04416685	2	solenoid valve
80	04416677	2	stop
84	04359457	2	washer mm 1.00
90	04434506	2	screw m 5 x 12
110	0.900.0120.2	1	gasket -> (...)
110	04416980	1	gasket (...) <-
120	04434541	4	screw m 6 p.1 x 40
130	0.900.0122.4	1	electrical system -> (...)
130	04416986	1	small cover (...) <-
160	04416982	1	piston
170	04416983	1	spring
172	04424390	1	shim mm 0.5
172	04424403	1	shim mm 1.00
172	04424404	1	shim mm 1.50
172	04424405	1	shim mm 2.00
172	04424406	1	shim mm 2.50
172	04424407	1	shim mm 3.00
172	04424408	1	shim mm 3.50
172	04424409	1	shim mm 4.00
172	04424410	1	shim mm 4.50
172	04424411	1	shim mm 5.00
180	0.000.0000.1	1	cannot be supplied
180.10	04419225	1	screw
180.20	02968175	1	oil seal 15x2
200	04416984	1	piston
220	04416985	1	piston
280	04434508	8	screw m 6 x 20
300	04416940	13	washer 8.4
310	04416988	2	gasket
320	04416989	2	cover
330	04416990	2	piston
340	04416992	2	spring

Section: GEAR
HYDRAULIC CONTROL

Fig.	P/n	QTY	Name
350	04416993	2	piston
360	04416994	2	ring
370	0.900.0120.4	4	washer mm 6.40
380	04416701	12	screw m 8 x 65
388	04416987	1	screw M8x60





Suggest:

For more complete manuals. Please go to the home page.

<https://www.ebooklibonline.com>

If the above button click is invalid. Please download this document first, and then click the above link to download the complete manual.

Thank you so much for reading

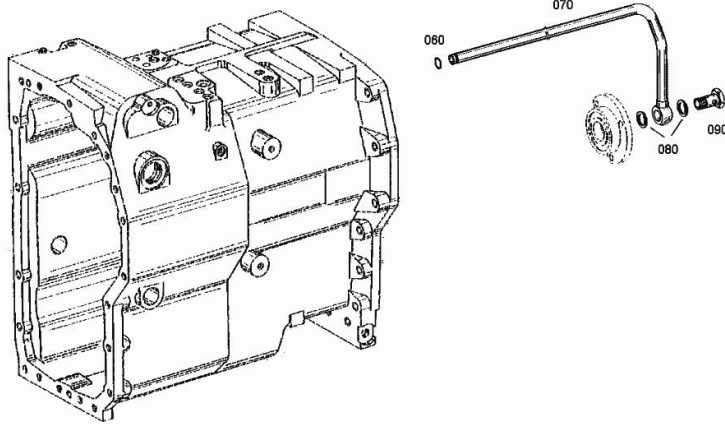
Section: GEAR

OIL SUPPLY

Fig.	P/n	QTY	Name
------	-----	-----	------

Notes:
[IRON 140 S]

60	02968175	1	oil seal 15x2
70	04415922	1	tube
80	0.010.2622.0	2	gasket 22 x 27
90	04415923	1	pipe union 18 DIN 7643

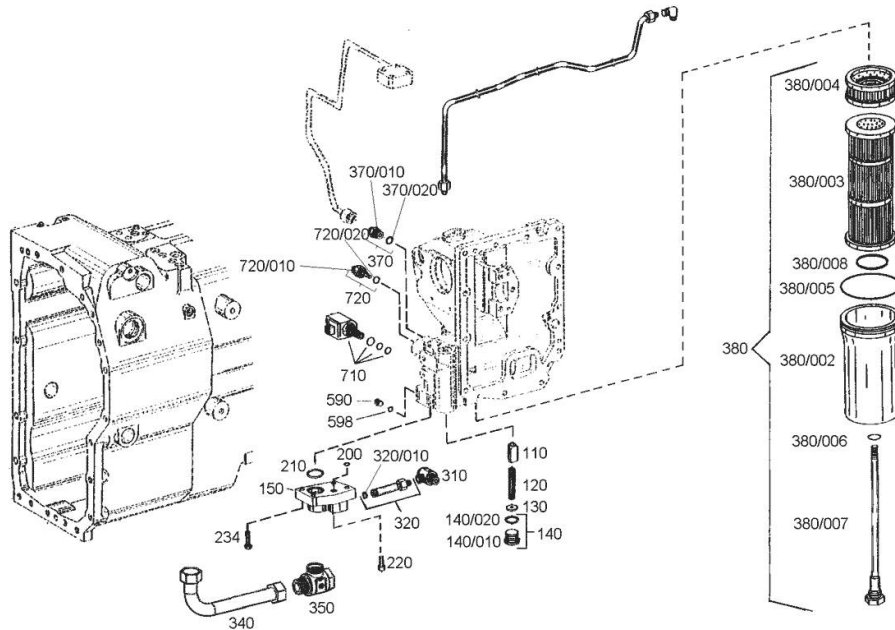


Section: GEAR

OIL SUPPLY - WITH HYDRAULIC SHUTTLE

Fig.	P/n	QTY	Name
------	-----	-----	------

Notes:
[IRON 140 S]



110	04415954	1	fuse
120	04415955	1	spring
130	04343603	1	washer mm 2.50
130	04343604	1	washer mm 2.75
130	04343605	1	washer mm 3.00
130	04344192	1	washer mm 3.25
130	04344193	1	washer mm 3.50
130	04344194	1	washer mm 3.75
130	04417005	1	washer mm 4.00
130	04417006	1	washer mm 0.20
130	04417007	1	washer mm 4.50
130	04417008	1	washer mm 4.75
140	0.000.0000.1	1	cannot be supplied
140.10	0.010.2622.1	1	screw m 26 p.1.5
140.20	04436328	1	oil seal 23x2
150	0.900.0050.8	1	flange
200	04329131	1	gasket 8x2.5
210	01272233	1	ring 30x3
220	04434551	1	screw m 8 p.1.25 x 20
234	04434509	3	screw m 8 x 30
310	04415957	1	screw
320	0.010.2877.1	1	tube
320.10	04415958	1	oil seal 10x2.5
340	0.010.3264.1	1	pipng
350	0.010.3842.1	1	threaded joint
370	0.000.0000.1	1	cannot be supplied
370.10	04417948	1	vent
370.20	04419216	1	oil seal 13x2
380	04415960.4	1	filter
380.2	0.010.3265.0	1	box
380.3	04417454	1	filter
380.4	04417835	1	filter
380.5	04417456	1	ring mm 112x3
380.6	04417457	1	oil seal mm 20x3
380.7	04417836	1	screw
380.8	0.010.3265.1	1	rubber ring
590	04434512	1	plug m 10 p.1
598	0.010.2878.1	1	gasket 10 x 16
710	04431661	1	solenoid valve
720	0.000.0000.1	1	cannot be supplied
720.10	04416649	1	sensor

<https://www.ebooklibonline.com>

Hello dear friend!

Thank you very much for reading.

Enter the link into your browser.

The full manual is available for immediate download.

<https://www.ebooklibonline.com>