

IRON 140 HI-LINE DCR 4V

Section: VI - AFTERMARKET KITS

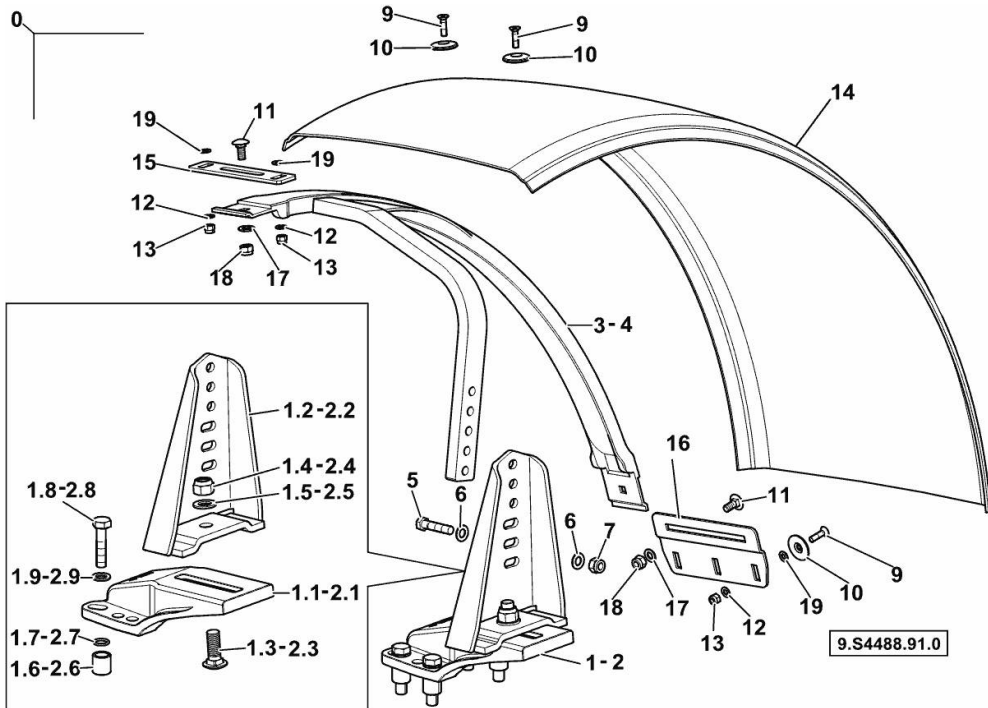
Ref: V1.00.0 (1)

FRONT FENDER KIT L=540 - KIT -9.B1676.92.0

Fig.	P/n	QTY	Name
------	-----	-----	------

Notes:

[IRON 140 HI-LINE DCR 4V]



0	9.B1676.92.0	1	spare parts kit
1	0.014.7119.4/20	1	support dx/rh/re
1.1	0.014.7120.0/10	1	bracket
1.2	0.014.4437.3	1	support dx/rh/re
1.3	2.0029.510.2	1	screw m18x50
1.4	2.1120.210.2	1	self-locking nut m 18 p.1.5
1.5	2.1310.011.2	1	flat washer 19x34
1.6	2.1549.628.2	4	spacer 19x27x28
1.7	2.1530.033.0	4	oil seal 13.10x2.62
1.8	2.0112.622.2	4	screw m 16 p.2x65
1.9	2.1310.010.2	4	flat washer 17x30
2	0.014.7121.4/20	1	support sx/lh/li
2.1	0.014.7120.0/10	1	bracket
2.2	0.014.4447.3	1	support sx/lh/li
2.3	2.0029.510.2	1	screw m18x50
2.4	2.1120.210.2	1	self-locking nut m 18 p.1.5
2.5	2.1310.011.2	1	flat washer 19x34
2.6	2.1549.628.2	4	spacer 19x27x28
2.7	2.1530.033.0	4	oil seal 13.10x2.62
2.8	2.0112.622.2	4	screw m 16 p.2x65
2.9	2.1310.010.2	4	flat washer 17x30
3	0.014.7115.2	1	chassis frame dx/rh/re
4	0.014.7118.2	1	chassis frame sx/lh/li
5	2.0112.420.2	4	screw m 12 p.1.75x55
6	2.1475.004.2	8	spring washer 12
7	2.1120.007.2	4	self-locking nut m 12 p.1.75
9	2.0349.004.0	10	screw m 8 p.1.25 x 30
10	2.1399.020.0/10	10	washer
11	2.0020.306.2	4	screw m 10 x 25
12	2.1475.002.2	10	conical washer 8
13	2.1120.005.2	10	nut m 8 p.1.25
14	04415576/10	2	fender
15	0.015.1975.0	2	plate
16	0.015.1976.0	2	plate
17	2.1475.003.2	4	washer 10
18	2.1120.006.2	4	nut m 10 p.1.5
19	2.1310.004.2	10	flat washer 8.4x17

IRON 140 HI-LINE DCR 4V

Section: VI - AFTERMARKET KITS

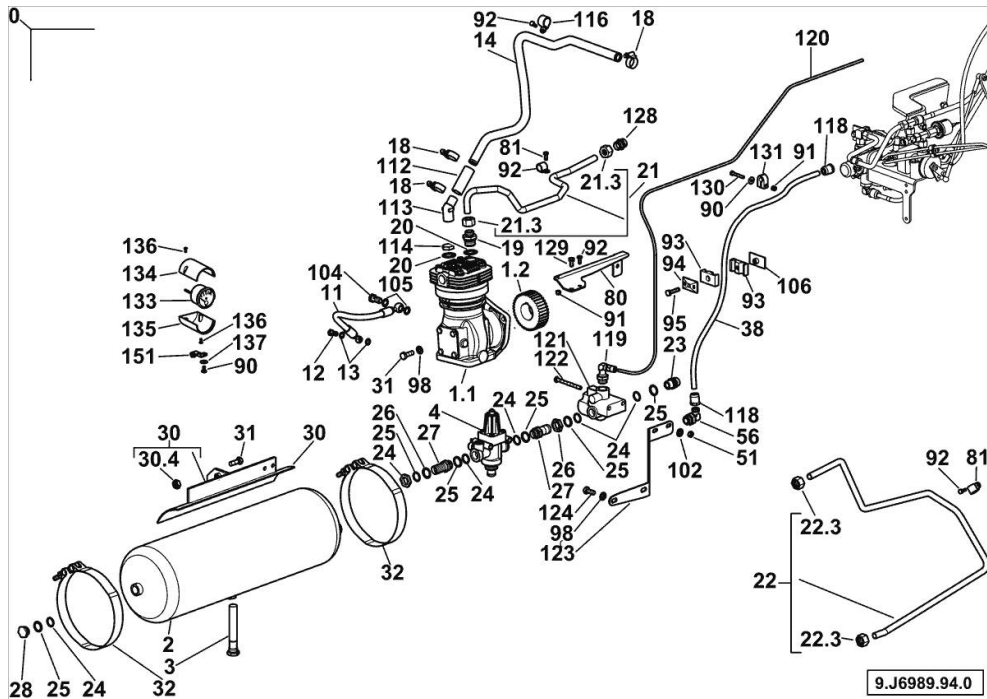
Ref: V1.00.1 (1)

AIR BRAKING KIT - EXPORT - KIT - 9.J6989.94.0

Fig.	P/n	QTY	Name
------	-----	-----	------

Notes:

[IRON 140 HI-LINE DCR 4V]



1.1	04428408.4	1	air compressor 229 cm ³ ☞ 04428408.4
1.2	04295536	1	gear Z = 43
2	04428868	1	tank 20 lt.
3	04400757	1	valve
4	04434820	1	regulator ☞ 04434820
11	04452824/10	1	tube
12	2.3335.004.2	1	pipe union m 10 p.1x24
13	2.1560.006.0	2	gasket 10.2 x 16
14	0.016.2952.0	1	primer
18	2.6851.002.0	3	clamp Ø 20/32
19	01179535	1	pipe fitting m 26x1,5/15
20	2.1569.068.0	2	gasket 26.3x34
21	0.017.8272.3	1	pipng
21.3	2.3369.022.2	2	nut
22	0.017.9181.3	1	pipng
22.3	2.3369.022.2	2	nut
23	01179536	1	pipe fitting H 3132
24	02523700	11	ring
25	02523701	11	ring
26	01137633	2	nut m 22 x 1.5
27	01121735	2	vent m 22 x 1.5
28	01118980	1	plug m 22 x 1.5
30	0.019.1219.3	1	support
30.4	2.1051.006.7	2	nut
31	2.0112.311.2	7	screw m 10 p.1.5 x 30
32	2.6859.101.0	2	clamp
38	0.017.9169.0	1	tube
51	2.1011.105.2	8	nut m 8 p.1.25
56	04454066	2	pipe fitting L
80	0.017.7726.0	1	support
81	01179680	2	clamp A15X15
90	2.1312.003.2	6	washer 6
91	2.1120.003.2	4	self-locking nut m 6
92	2.0112.005.2	6	screw m 6 p.1 x 16
93	04454610	2	terminal Ø 12/18
94	01175670	1	small plate
95	2.0112.213.2	1	screw m 8 p.1.25 x 35
98	2.1310.006.2	5	flat washer 10.5x21
102	2.1310.004.2	2	flat washer 8.4x17

IRON 140 HI-LINE DCR 4V

Section: VI - AFTERMARKET KITS

Ref: V1.00.1 (1)

AIR BRAKING KIT - EXPORT - KIT - 9.J6989.94.0

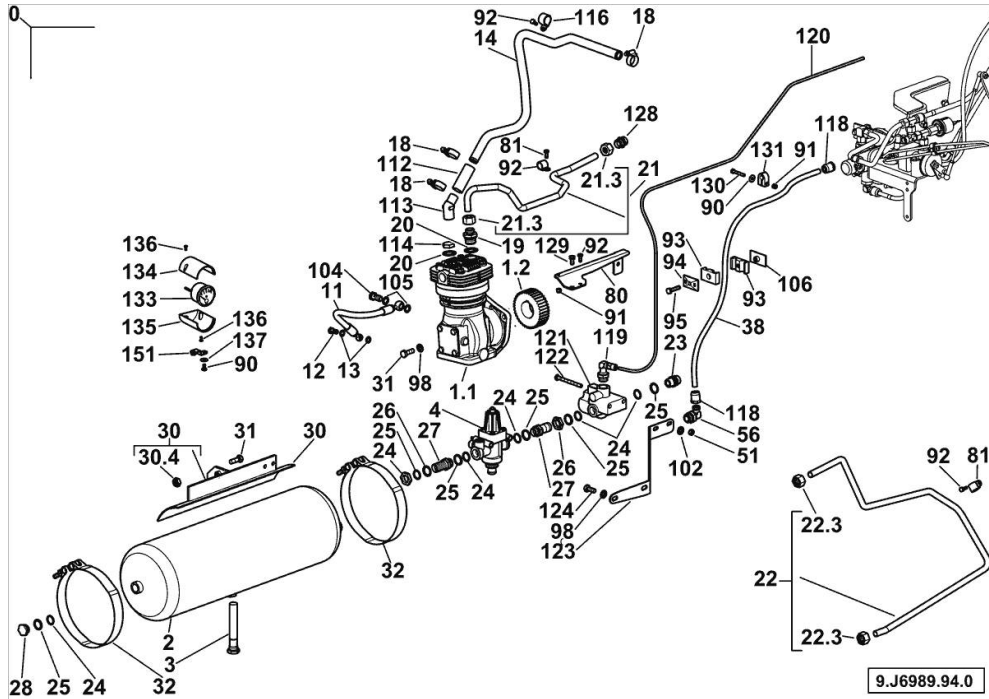


Fig.	P/n	QTY	Name
104	2.3335.006.2	1	pipe union m 14 p.1.5X26
105	2.1560.010.0	3	gasket 14.2 x 20
106	01180338	1	small plate
112	2.3213.122.0	1	sleeve 22x30x60
113	04345862/10	1	pipe fitting
114	01123544	1	nut m 26 p.1.5
116	01173219	1	clamp
118	04438664	4	pipe fitting
119	04432095	2	pipe fitting L
120	0.017.9170.0	1	flexible hose
121	04453936	1	pump
	☞ 04453936		
122	2.0112.226.2	2	screw m 8 p.1.25 x 85
123	0.017.7724.0/10	1	support
124	2.0112.309.2	2	screw m 10 p.1.5 x 25
128	01116711	1	vent L 15
129	2.0114.205.2	2	screw m 8 p.1.25 x 16
130	2.0112.015.2	1	screw m 6 p.1x40
131	01141607	1	clamp 12
133	0.011.9433.0	1	air pressure gauge 10 bar
134	04415455	1	guard
135	04415456	1	guard
136	2.0361.406.2	2	screw m 4 x 10
137	2.0332.404.3	1	screw m 6 x 12
151	0.011.7028.3	1	bracket
0	9.J6989.94.0	1	spare parts kit

<https://www.ebooklibonline.com>

Hello dear friend!

Thank you very much for reading.

Enter the link into your browser.

The full manual is available for immediate download.

<https://www.ebooklibonline.com>

IRON 140 HI-LINE DCR 4V

Section: VI - AFTERMARKET KITS

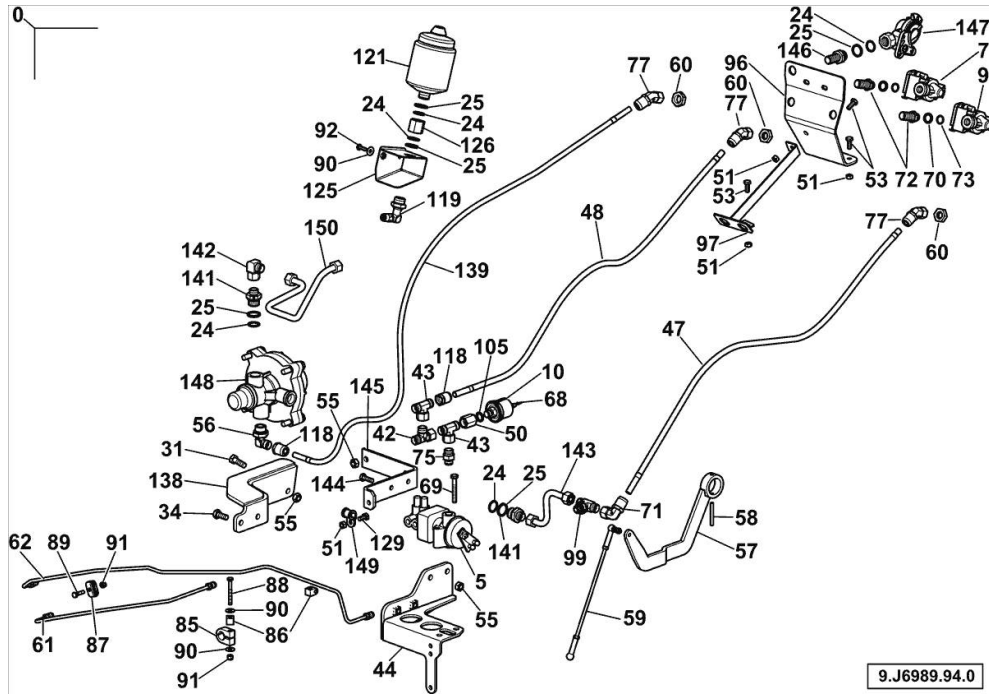
Ref: V1.00.2 (1)

AIR BRAKING KIT - EXPORT - KIT - 9.J6989.94.0

Fig.	P/n	QTY	Name
------	-----	-----	------

Notes:

[IRON 140 HI-LINE DCR 4V]



0	9.J6989.94.0	1	-
5	04419935	1	valve ☞ 04419935
7	04323303	1	socket
9	04323302	1	socket
10	0.011.9428.0	1	pressure switch
24	02523700	11	ring
25	02523701	11	ring
31	2.0112.311.2	7	screw m 10 p.1.5 x 30
34	2.0114.309.2	2	screw m 10 p 1.25 x 25
42	01144813	1	pipe fitting T
43	01144831	2	pipe fitting T
44	0.017.2247.3	1	support
47	04452329	1	pipng Ø 12 / L = mm 1070
48	04452328	1	pipng Ø 12 / L = mm 1080
50	2.3249.582.2	1	pipe fitting
51	2.1011.105.2	8	nut m 8 p.1.25
53	2.0112.207.2	5	screw m 8 p 1.25 x 20
55	2.1011.106.2	6	nut m 10 p.1.5
56	04454066	2	pipe fitting L
57	04427793	1	lever
58	2.1630.617.2	1	pin 6x50
59	04454607/10	1	rod
60	2.1012.510.7	3	nut m 18 p.1.5
61	04454276	1	tube
62	04454275/10	1	tube
68	04437355.4/10	1	electric cable
69	2.0112.220.2	2	screw m 8 p.1.25x55
70	04389868	2	ring
71	04436896.4	2	pipe fitting L
72	01143566	2	pipe fitting a12 m16x1,5
73	04389869	2	ring
75	04389936.4	1	vent m 16 p.1.5 - m 18 p.1.5
77	04437700	3	connector
85	04454609	1	terminal Ø 18
86	01141501	2	clamp Ø 6
87	2.3321.002.0	1	terminal Ø 6.35
88	2.0112.020.2	1	screw m 6 p.1 x 55
89	2.0112.009.2	1	screw m 6 p.1 x 25
90	2.1312.003.2	6	washer 6
91	2.1120.003.2	4	self-locking nut m 6

IRON 140 HI-LINE DCR 4V

Section: VI - AFTERMARKET KITS

Ref: V1.00.2 (1)

AIR BRAKING KIT - EXPORT - KIT - 9.J6989.94.0

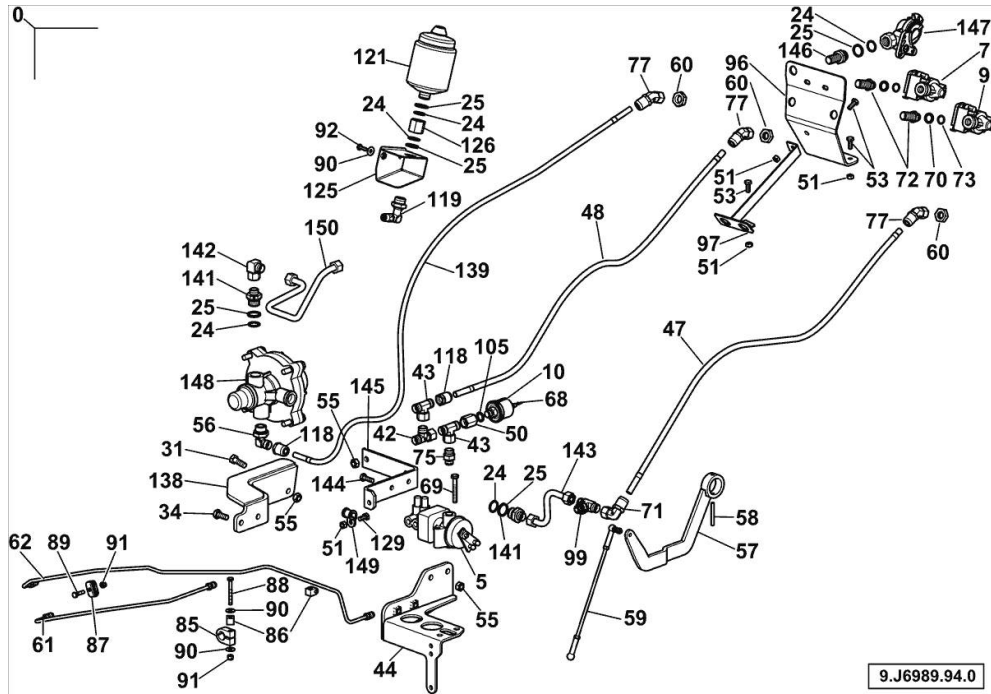


Fig.	P/n	QTY	Name
92	2.0112.005.2	6	screw m 6 p.1 x 16
96	04452551/40	1	support
97	04452306.4	1	support
99	04454612	1	pipe fitting T
105	2.1560.010.0	3	gasket 14.2 x 20
118	04438664	4	pipe fitting
119	04432095	2	pipe fitting L
121	04453936	1	pump ☞ 04453936
125	0.017.7725.3	1	bracket
126	04454094	1	sleeve
129	2.0114.205.2	2	screw m 8 p.1.25 x 16
138	04454466.3/10	1	support
139	04452330	1	pipng Ø 12 / L = mm 1320
141	04453867	2	pipe fitting
142	01144832	1	pipe fitting
143	04454295	1	pipng
144	2.0112.209.2	2	screw m 8 p 1.25 x 25
145	04455010	1	bracket
146	01143567	1	pipe fitting m 22 x 1.5
147	04322997	1	socket
148	0.012.1712.4	1	valve ☞ 0.012.1712.4
149	2.6839.055.0	1	clamp Ø 11 / 20
150	04454294/10	1	pipng

IRON 140 HI-LINE DCR 4V

Section: VI - AFTERMARKET KITS

Ref: V1.00.3 (1)

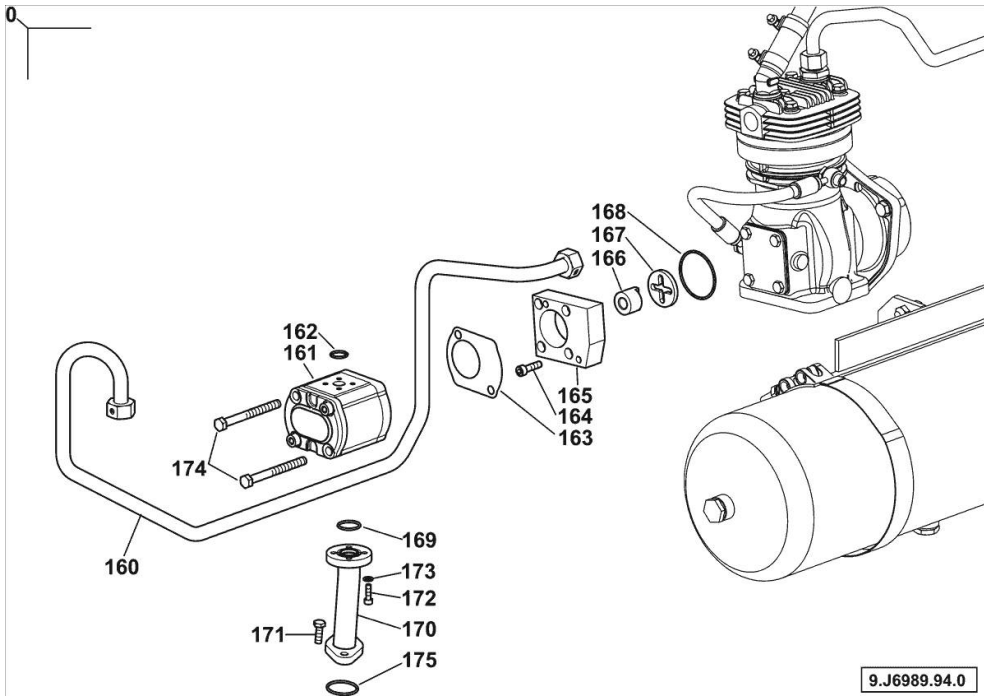
AIR BRAKING KIT - EXPORT - KIT - 9.J6989.94.0

Fig.	P/n	QTY	Name
------	-----	-----	------

Notes:

[IRON 140 HI-LINE DCR 4V]

0	9.J6989.94.0	1	-
160	04455972.2	1	pipng
161	2.4539.310.0/10	1	hydraulic pump 16cc sx/lh/li - BOSCH ☞ 2.4539.310.0/10
162	06214809	1	oil seal 18x2,5
163	04455342	1	gasket
164	2.0312.210.2	4	screw m 8 p 1.25 x 30
165	04450541	1	adaptr
166	04450539	1	hub
167	04450538	1	coupling
168	04450506	1	oil seal
169	2.1530.066.0	1	oil seal 25.07x2.62
170	0.016.1811.3/10	1	tube
171	2.0114.209.2	2	screw m 8 x 25
172	2.0312.106.2	4	screw m 6 p.1 x 20
173	2.1474.007.2	4	washer 6, d128
174	2.0113.330.2	2	screw m 10x105
175	2.1530.095.0	1	oil seal 36.14x2.62



IRON 140 HI-LINE DCR 4V

Section: V1 - AFTERMARKET KITS

Ref: V1.00.4 (1)

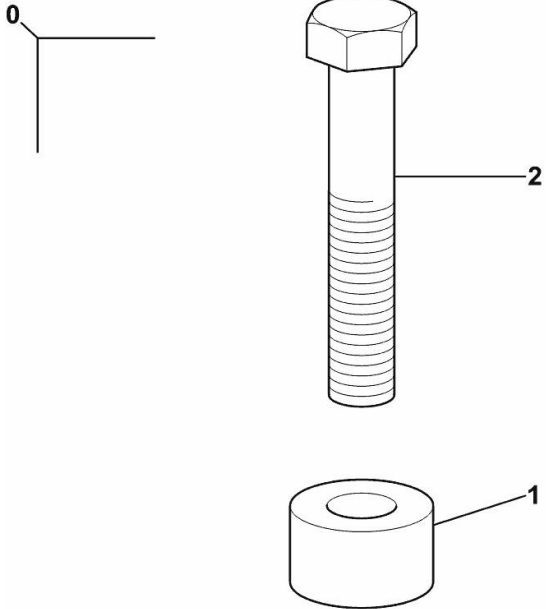
BRAKED/DRIVING AXLE SPACER KIT - KIT - 9.S4876.90.0

Fig.	P/n	QTY	Name
------	-----	-----	------

Notes:

[IRON 140 HI-LINE DCR 4V]

0	9.S4876.90.0	1	spare parts kit
1	04453761	8	bushing 17x35x20
2	2.0112.627.2	8	screw m 16 p.2x90



9.S4876.90.0

IRON 140 HI-LINE DCR 4V

Section: VI - AFTERMARKET KITS

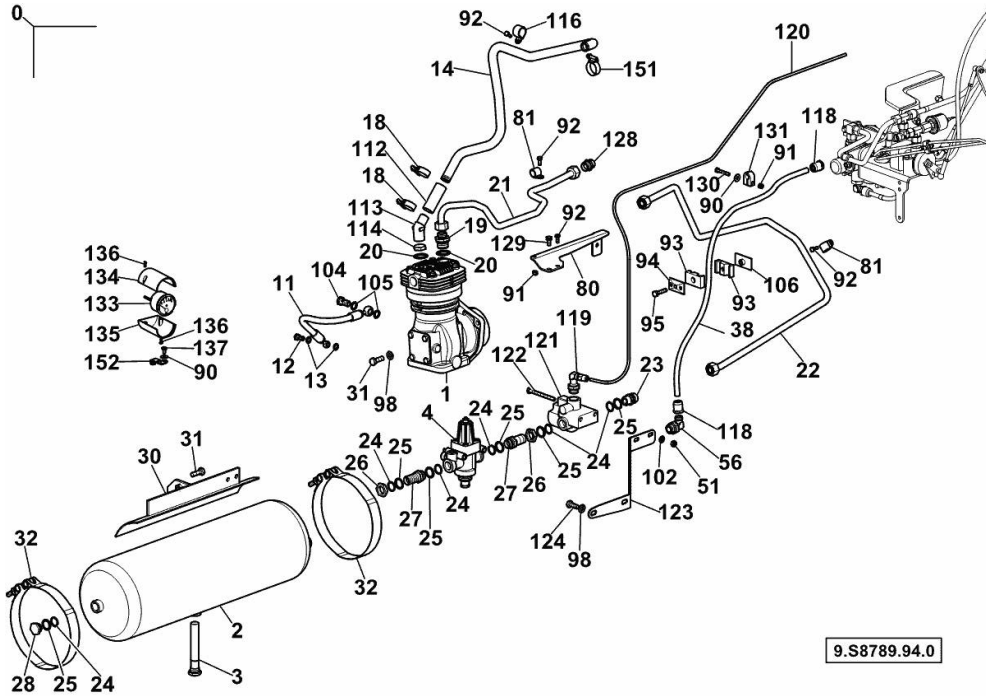
Ref: V1.00.5 (1)

AIR BRAKING KIT - EXPORT - KIT - 9.S8789.94.0

Fig.	P/n	QTY	Name
------	-----	-----	------

Notes:

[IRON 140 HI-LINE DCR 4V]



0	9.S8789.94.0	1	spare parts kit
1	04426744.4/20	1	air compressor
2	04428868	1	tank 20 lt.
3	04400757	1	valve
4	04434820	1	regulator ☞ 04434820
11	04452824/10	1	tube
12	2.3335.004.2	1	pipe union m 10 p.1x24
13	2.1560.006.0	2	gasket 10.2 x 16
14	0.017.6642.0	1	tube
18	2.6851.002.0	3	clamp Ø 20/32
19	01179535	1	pipe fitting m 26x1,5/15
20	2.1560.021.0	1	copper gasket 28.3x34
21	0.017.8272.3	1	pipng
22	0.017.9181.3	1	pipng
23	01179536	1	pipe fitting H 3132
24	02523700	11	ring
25	02523701	11	ring
26	01137633	2	nut m 22 x 1.5
27	01121735	2	vent m 22 x 1.5
28	01118980	1	plug m 22 x 1.5
30	04428858.4	1	support
31	2.0112.311.2	7	screw m 10 p.1.5 x 30
32	2.6859.101.0	2	clamp
38	0.017.9169.0	1	tube
51	2.1011.105.2	8	nut m 8 p.1.25
56	04454066	2	pipe fitting L
80	0.017.7726.0	1	support
81	01179680	2	clamp A15X15
90	2.1312.003.2	6	washer 6
91	2.1120.003.2	4	self-locking nut m 6
92	2.0112.005.2	6	screw m 6 p.1 x 16
93	04454610	2	terminal Ø 12/18
94	01175670	1	small plate
95	2.0112.213.2	1	screw m 8 p.1.25 x 35
98	2.1310.006.2	5	flat washer 10.5x21
102	2.1310.004.2	2	flat washer 8.4x17
104	2.3335.006.2	1	pipe union m 14 p.1.5X26
106	01180338	1	small plate
112	01175630	1	sleeve 22x29x71
113	04345862	1	vent

IRON 140 HI-LINE DCR 4V

Section: VI - AFTERMARKET KITS

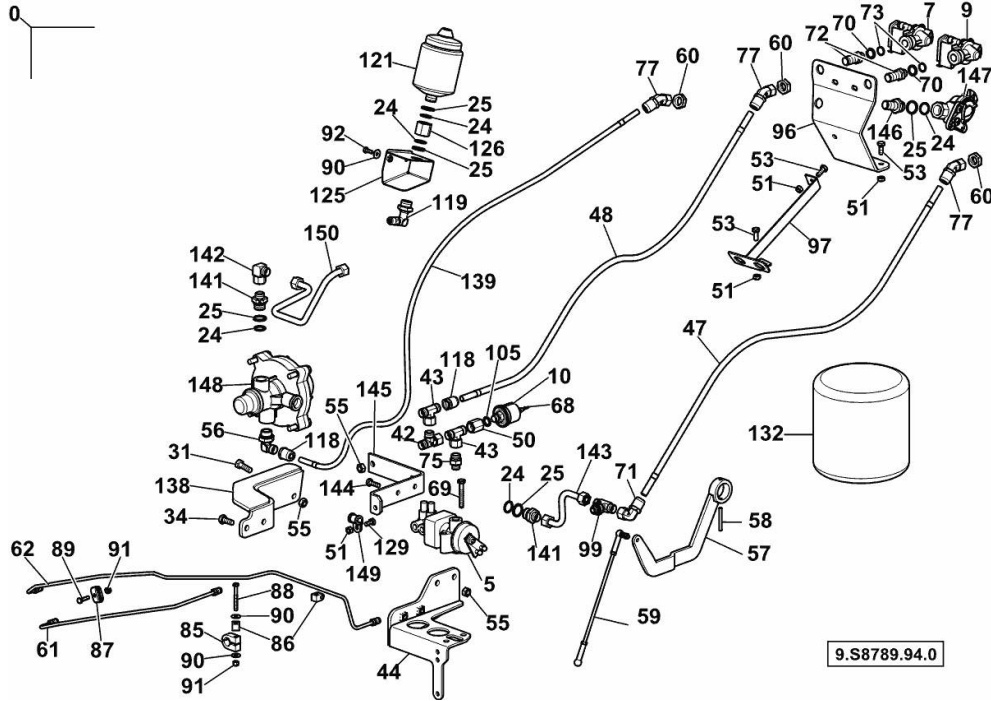
Ref: V1.00.6 (1)

AIR BRAKING KIT - EXPORT - KIT - 9.S8789.94.0

Fig.	P/n	QTY	Name
------	-----	-----	------

Notes:

[IRON 140 HI-LINE DCR 4V]



0	9.S8789.94.0	1	spare parts kit
5	04419935	1	valve ☞ 04419935
7	04323303	1	socket
9	04323302	1	socket
10	0.011.9428.0	1	pressure switch
24	02523700	11	ring
25	02523701	11	ring
31	2.0112.311.2	7	screw m 10 p.1.5 x 30
34	2.0114.309.2	2	screw m 10 p 1.25 x 25
42	01144813	1	pipe fitting T
43	01144831	2	pipe fitting T
44	0.017.2247.3	1	support
47	04452329	1	piping Ø 12 / L = mm 1070
48	04452328	1	piping Ø 12 / L = mm 1080
51	2.1011.105.2	8	nut m 8 p.1.25
53	2.0112.207.2	5	screw m 8 p 1.25 x 20
55	2.1011.106.2	6	nut m 10 p.1.5
56	04454066	2	pipe fitting L
57	04427793	1	lever
58	2.1630.617.2	1	pin 6x50
59	04454607/10	1	rod
60	2.1012.510.7	3	nut m 18 p.1.5
61	04454276	1	tube
62	04454275/10	1	tube
68	04437355.4/10	1	electric cable
69	2.0112.220.2	2	screw m 8 p.1.25x55
70	04389868	2	ring
71	04436896.4	2	pipe fitting L
72	01143566	2	pipe fitting a12 m16x1,5
73	04389869	2	ring
75	04389936.4	1	vent m 16 p.1.5 - m 18 p.1.5
77	04437700	3	connector
85	04454609	1	terminal Ø 18
86	01141501	2	clamp Ø 6
87	2.3321.002.0	1	terminal Ø 6.35
88	2.0112.020.2	1	screw m 6 p.1 x 55
89	2.0112.009.2	1	screw m 6 p.1 x 25
90	2.1312.003.2	6	washer 6
91	2.1120.003.2	4	self-locking nut m 6
92	2.0112.005.2	6	screw m 6 p.1 x 16

IRON 140 HI-LINE DCR 4V

Section: VI - AFTERMARKET KITS

Ref: V1.00.6 (1)

AIR BRAKING KIT - EXPORT - KIT - 9.S8789.94.0

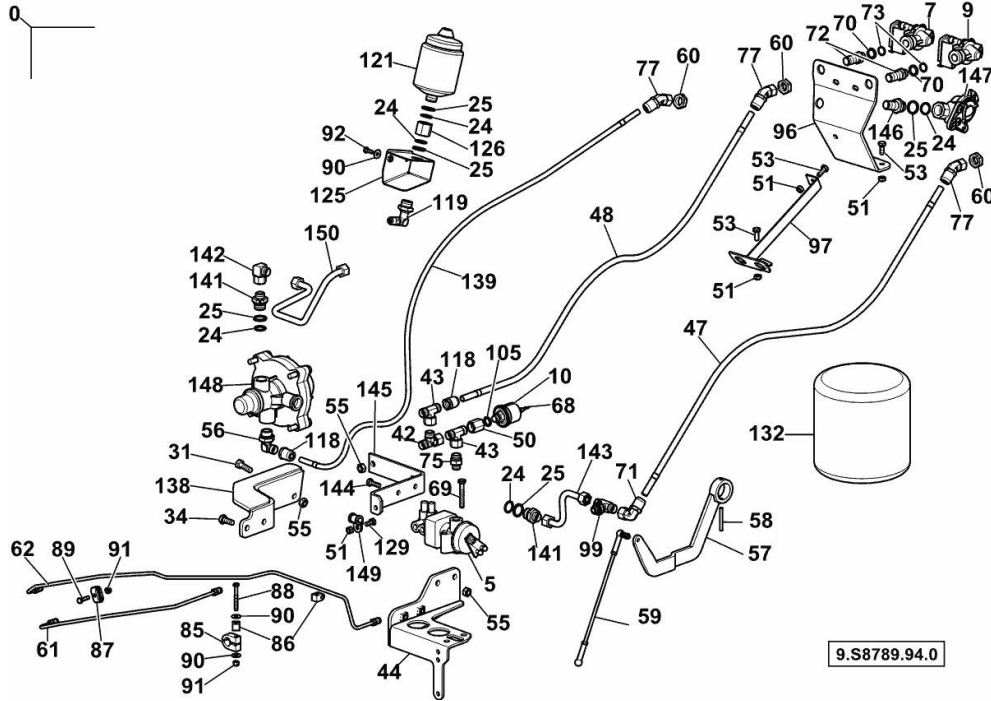


Fig.	P/n	QTY	Name
96	04452551/30	1	support
97	04452306.4	1	support
99	04454612	1	pipe fitting T
119	04432095	2	pipe fitting L
121	04453936	1	pump ☞ 04453936
125	0.017.7725.3	1	bracket
126	04454094	1	sleeve
129	2.0114.205.2	2	screw m 8 p.1.25 x 16
132	04453939	0.5	anti-freezer
138	04454466.3/10	1	support
139	04452330	1	piping Ø 12 / L = mm 1320
141	04453867	2	pipe fitting
142	01144832	1	pipe fitting
143	04454295	1	piping
144	2.0112.209.2	2	screw m 8 p 1.25 x 25
145	04455010	1	bracket
146	01143567	1	pipe fitting m 22 x 1.5
147	04322997	1	socket
148	0.012.1712.4	1	valve ☞ 0.012.1712.4
149	2.6839.055.0	1	clamp Ø 11 / 20
150	04454294/10	1	piping

IRON 140 HI-LINE DCR 4V

Section: VI - AFTERMARKET KITS

Ref: V1.01.0 (1)

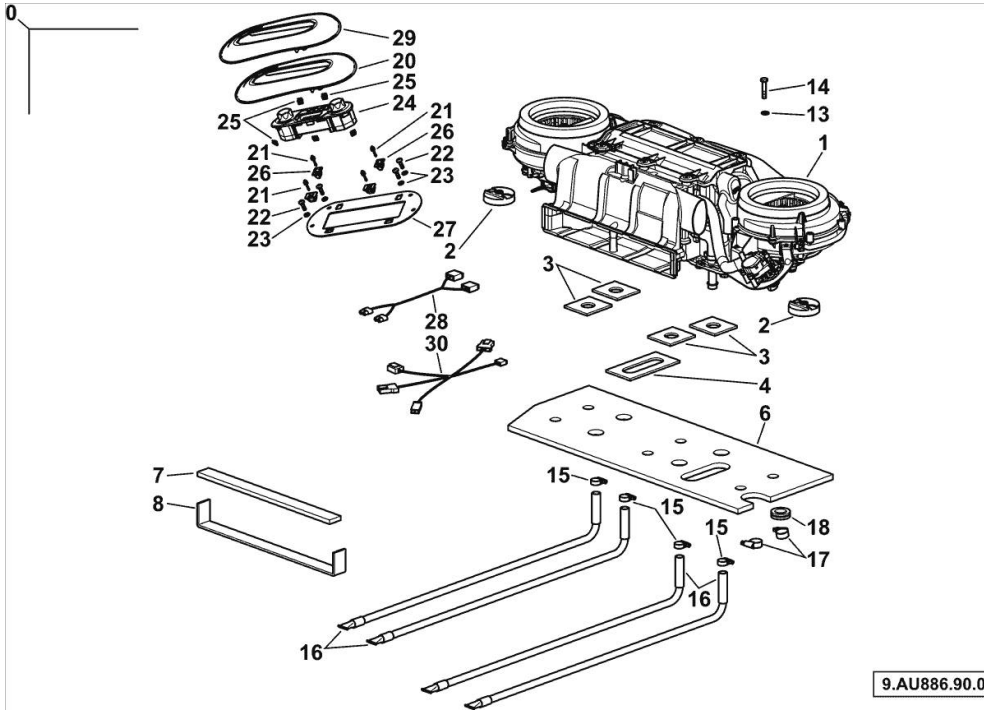
CLIMATE CONTROL - KT - 9.AU86.90.0

Fig.	P/n	QTY	Name
------	-----	-----	------

Notes:

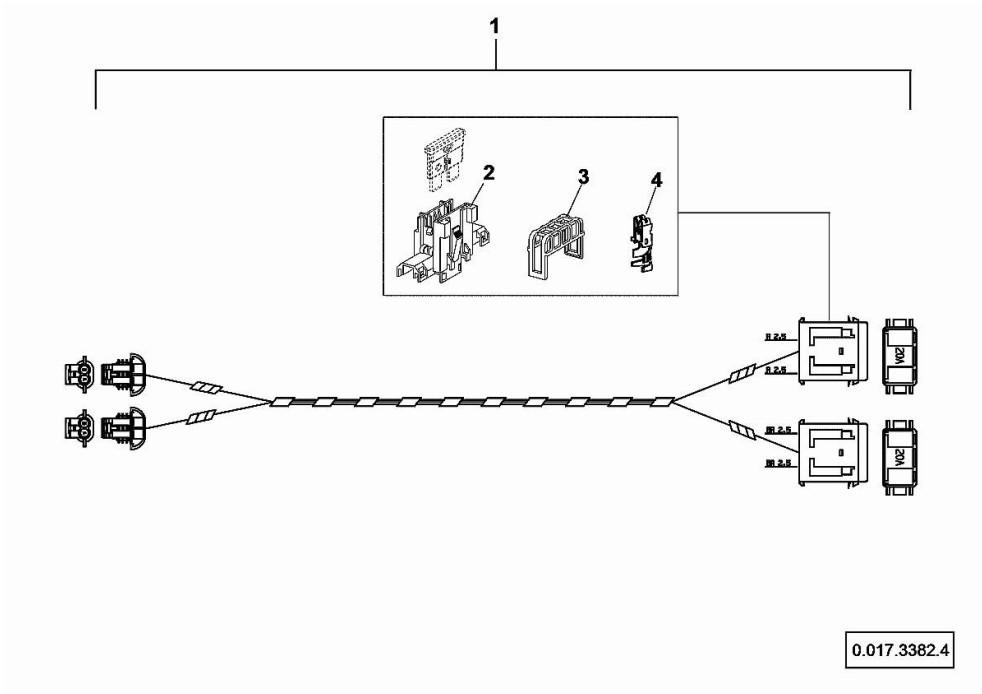
[IRON 140 HI-LINE DCR 4V]

0	9.AU886.90.0	1	spare parts kit
1	0.020.8678.4/10	1	heating unit ☞ 0.020.8678.4/10
2	0.021.1194.0	2	block
3	0.017.1000.0/10	4	gasket
4	0.017.0996.0/10	1	gasket
6	0.021.8780.0	1	sound deadening
7	0.017.1003.0	1	gasket
8	0.017.1001.0/10	1	gasket
13	2.1310.004.2	1	flat washer 8.4x17
14	2.0114.215.2	1	screw m 8 p.1.25 x 40
15	2.6851.019.0	4	clamp Ø 13/20
16	0.011.4589.3/10	4	flexible hose
17	2.6851.001.0	2	clamp Ø 16/25
18	2.6569.047.0	1	rubber plug
20	0.020.8146.2S	1	front grille
21	0.020.6895.0	4	pin M 4 x 19
22	2.0330.407.2	4	screw m 6 p.1 x 20
23	2.1310.002.3	4	flat washer 6.4 x 12 x 1.6
24	0.020.8139.4	1	control
25	0.013.4283.0	5	clip
26	0.018.5878.4	4	clip
27	0.020.8175.2/10	1	support
28	0.017.3382.4	1	electrical system ☞ 0.017.3382.4
29	0.020.8146.2D	1	front grille
30	0.023.3389.4	1	air conditioner



ELECTRICAL WIRING

Fig.	P/n	QTY	Name
1	0.017.3382.4	1	electrical system
2	0.900.2042.9	2	fuse-holder
3	0.900.2043.0	2	cover
4	0.900.2139.2	2	terminal





Suggest:

For more complete manuals. Please go to the home page.

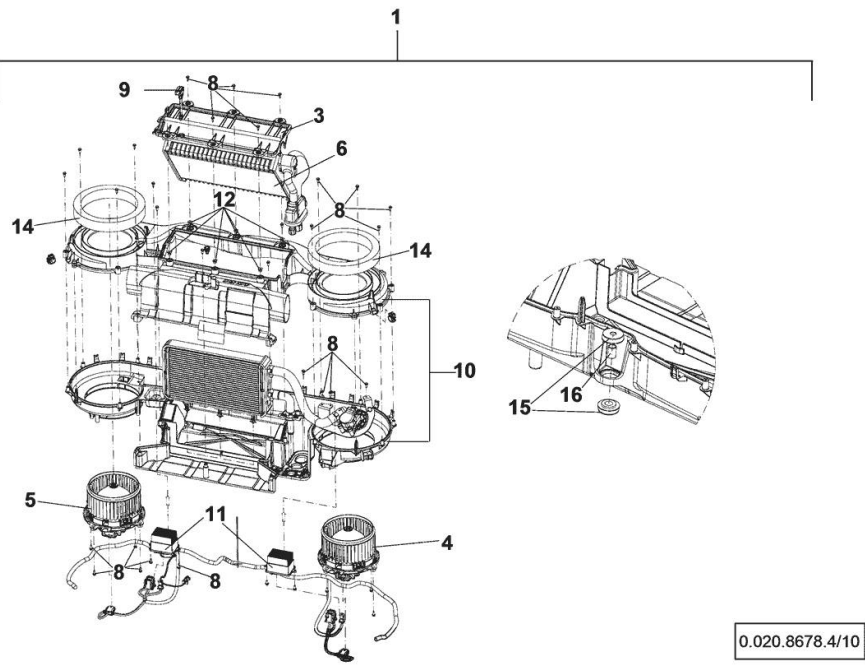
<https://www.ebooklibonline.com>

If the above button click is invalid. Please download this document first, and then click the above link to download the complete manual.

Thank you so much for reading

MANUAL CLIMATE CONTROL SYSTEM

Fig.	P/n	QTY	Name
1	0.020.8678.4/10	1	heating unit
3	0.900.2234.3	1	cover
4	0.900.2234.4	1	fan
5	0.900.2234.5	1	fan
6	0.900.2234.6	1	radiator
8	0.900.0944.6	41	screw 4 x 12
9	0.900.2236.0	1	probe </td
10	0.900.2386.6	-	box
11	0.900.2234.7	1	regulator
12	0.900.2234.8	1	insert
14	0.900.2235.0	2	gasket
15	0.010.2541.0	2	rubber plug
16	0.98538.71.1	1	spacer



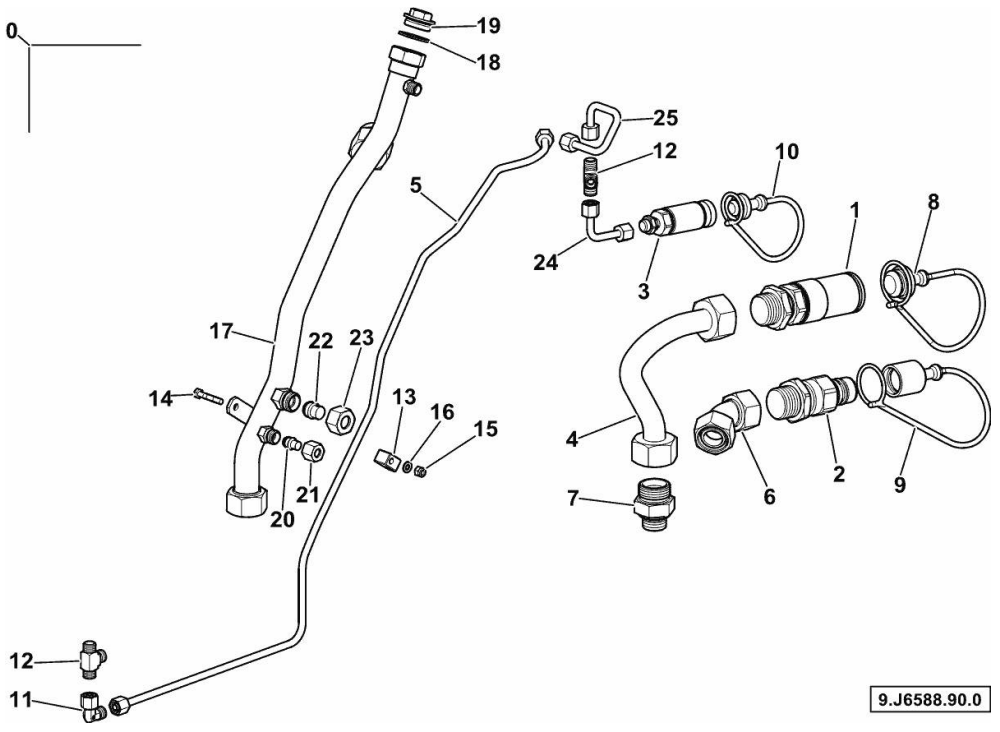
POWER BEYOND KIT - KIT - 9.J6588.90.0

Fig.	P/n	QTY	Name
------	-----	-----	------

Notes:

[IRON 140 HI-LINE DCR 4V]

0	9.J6588.90.0	1	spare parts kit
1	04450416	1	coupling m 36 p.2 ☞ 04450416
2	04451532	1	coupling m 36 p.2
3	04450417	1	coupling m 14 p.1.5 ☞ 04450417
4	04452308	1	pipng
5	0.018.4290.3	1	tube
6	0.018.3997.3	1	tube
7	04451725/10	1	pipe fitting
8	0.012.2603.0	1	plug 3/4 M
9	0.012.2604.0	1	plug 3/4 F
10	0.012.2605.0	1	plug 3/8 M
11	16040269	1	pipe fitting 90°
12	04427045	2	pipe fitting T
13	01141549	1	terminal d=8
14	2.0112.013.2	1	screw m 6 p.1 x 35
15	2.1120.003.2	1	self-locking nut m 6
16	2.1310.002.2	1	flat washer 6.4x12.5
17	0.018.3995.3	1	tube
18	2.1560.023.0	1	copper gasket 30.3 x 36
19	01118989	1	plug
20	04431440	1	nut
21	2.3369.026.2	1	nut m16x1,5
22	01180617	1	cone
23	2.3369.022.2	1	nut
24	0.018.4292.3	1	tube
25	0.018.4291.3	1	tube



<https://www.ebooklibonline.com>

Hello dear friend!

Thank you very much for reading.

Enter the link into your browser.

The full manual is available for immediate download.

<https://www.ebooklibonline.com>