

**DRIVEN FRONT AXLE - 359577**

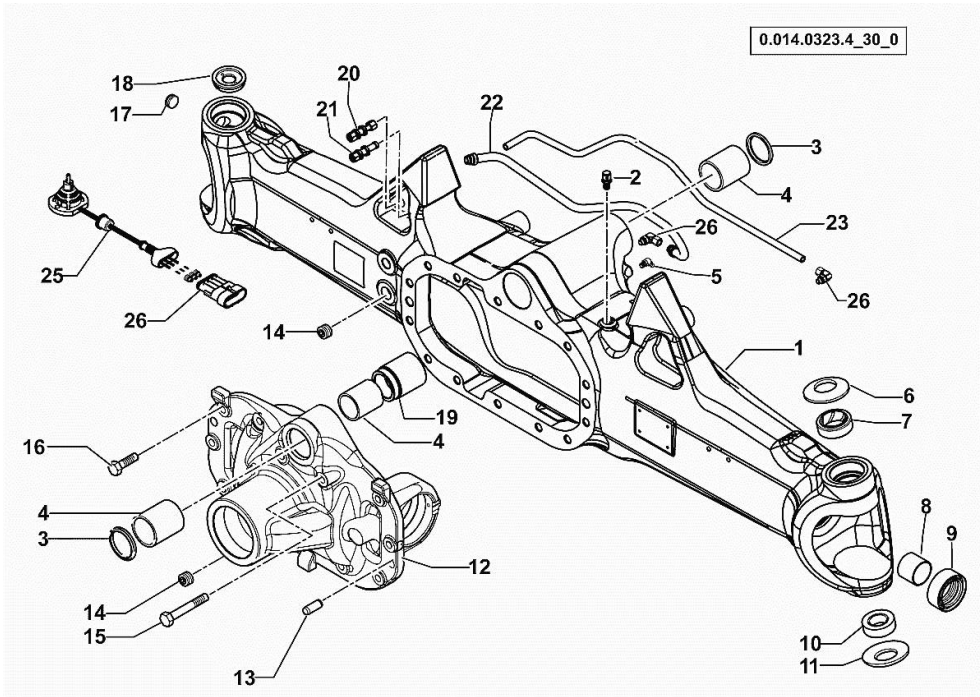


Fig.	P/n	QTY	Name
1	0.900.0965.1	1	front axle
2	0.900.0079.8	1	breather m 10 p.1
3	0.900.0079.9	2	circlip
4	0.900.0080.0	3	bushing
5	0.900.0080.1	1	grease gun m 8 p.1, 45°
6	0.900.0080.2	2	spring
7	0.900.0080.3	2	bushing
8	0.900.0080.4	2	bushing
9	0.900.0912.6	2	oil seal 40x65x27,5
10	0.900.0080.6	2	bearing
11	0.900.0080.7	2	spring
12	0.900.0960.4	1	support
13	0.900.0081.0	2	pin Ø 15x45
14	0.900.0081.1	2	plug m 24 p.1.5
15	0.900.0081.2	2	screw m 14x75
16	0.900.0081.3	12	screw m14 x 40
17	0.900.0081.6	1	plug m 26 p.1.5
18	0.900.0966.6	1	small cover
19	0.900.0082.2	1	bushing
20	0.900.0081.7	1	pipe fitting
21	0.900.0081.8	1	pipe fitting
22	0.900.0965.2	1	tube
23	0.900.0965.3	1	tube
24	0.900.0107.0	1	pipe fitting
25	0.900.0504.8	1	sensor - KIT
26	0.900.0081.5	2	connector

**STEERING CYLINDER - 359577**

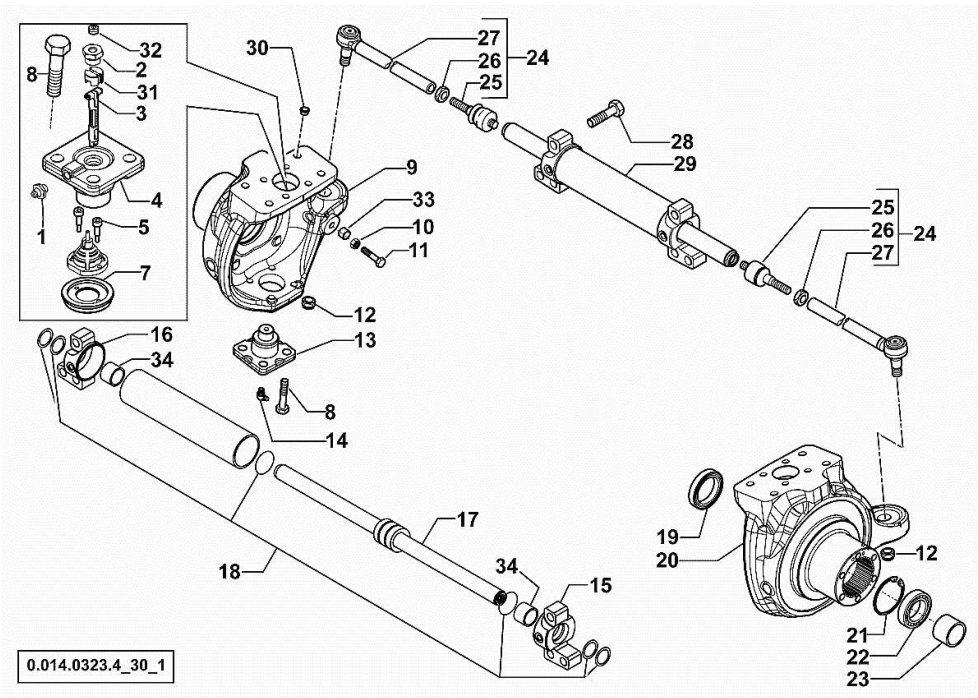
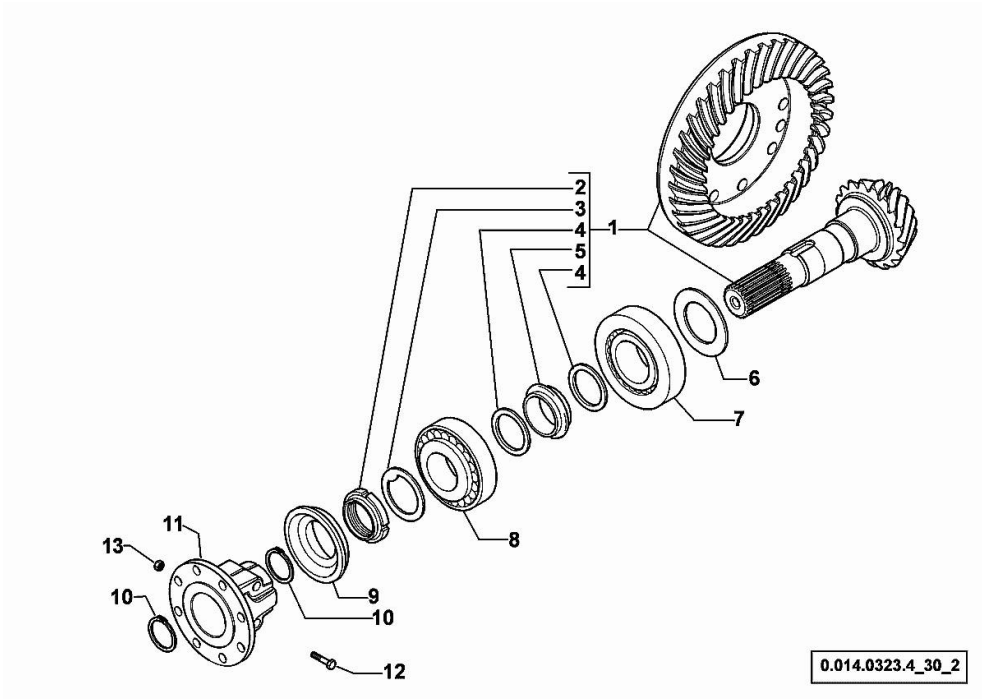


Fig.	P/n	QTY	Name
1	0.900.0542.4	2	grease gun m 6 p.1
2	0.900.0082.4	2	screw m 20 p.1.5
3	0.900.0502.3	1	shaft
4	0.900.0502.5	2	pin
5	0.900.0082.7	2	screw m 4 x 10
7	0.900.0865.2	1	cover
8	0.900.0082.9	16	screw m 14 x 35
9	0.900.0107.9	1	fork sx/lh/li
10	0.900.0083.1	2	nut m 14
11	0.900.0948.6	2	screw m 14
12	0.900.0083.3	2	nut m 20 p.1
13	0.900.0083.4	2	pin
14	0.900.0083.5	2	grease gun m 6 p.1, 45°
15	0.900.0107.1	1	fork dx/rh/re
16	0.900.0107.2	1	fork sx/lh/li
17	0.900.0107.3	1	stem
18	0.900.0107.4	1	gasket set
19	0.900.0083.9	2	oil seal 56x80x13/14,5
20	0.900.0107.5	1	fork dx/rh/re
21	0.900.0084.1	2	circlip
22	0.900.0084.2	2	bearing
23	0.900.0084.3	2	spacer
24	0.900.0107.6	2	rod
			COMPLETE ( 25, 26 & 27 )
25	0.900.0084.5	2	ball joint
26	0.900.0084.6	2	nut m 24x10
27	0.900.0107.7	2	rod
28	0.900.0105.9	6	screw m 20x80
29	0.900.0107.8	1	jack
30	0.900.0085.0	8	plug
31	0.900.0961.2	1	small block
32	0.900.0894.3	2	plug
33	0.900.0948.7	2	bush
34	0.900.1363.8	2	bushing

0.014.0323.4\_30\_1

**BEVEL WHEEL GEAR - 359577**

Fig.	P/n	QTY	Name
1	0.900.0108.0	1	bevel drive Z = 14/37 COMPLETE ( 2, 3, 4 & 5 )
2	0.900.0085.5	1	ring nut m 40 p.1.5
3	0.900.0085.6	1	washer
4	0.900.0085.7	2	washer
5	0.900.0108.1	1	spacer
6	0.900.0108.2		shim 2.50
6	0.900.0108.3		shim 2.60
6	0.900.0108.4		shim 2.70
6	0.900.0108.5		shim 2.80
6	0.900.0108.6		shim 3.00
6	0.900.0108.7		shim 2.90
6	0.900.0108.8		shim 3.10
6	0.900.0108.9		shim 3.20
6	0.900.0109.0		shim 3.30
6	0.900.0109.1		shim 3.40
7	0.900.0109.2	1	bearing
8	0.900.0086.9	1	bearing
9	0.900.0087.0	1	oil seal 35x92/98x13/27
10	0.900.0087.1	2	circlip d = 35
11	0.900.0960.5	1	flange
12	0.900.0960.9	2	screw
13	0.900.0961.0	2	nut



0.014.0323.4\_30\_2

**<https://www.ebooklibonline.com>**

Hello dear friend!

Thank you very much for reading.

Enter the link into your browser.

The full manual is available for immediate download.

**<https://www.ebooklibonline.com>**

**DIFFERENTIAL - 359577**

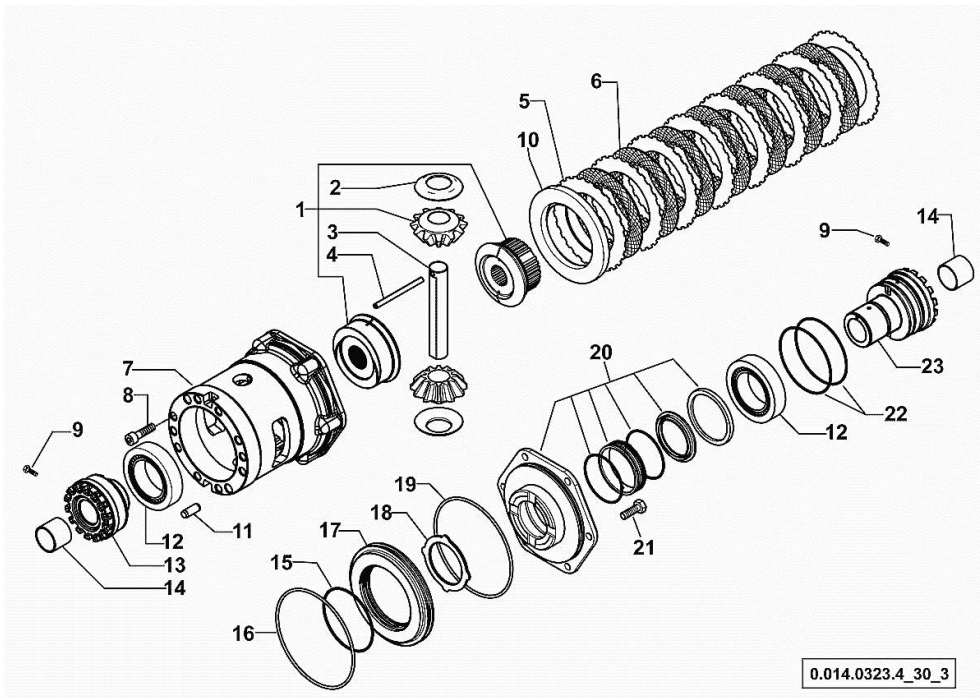
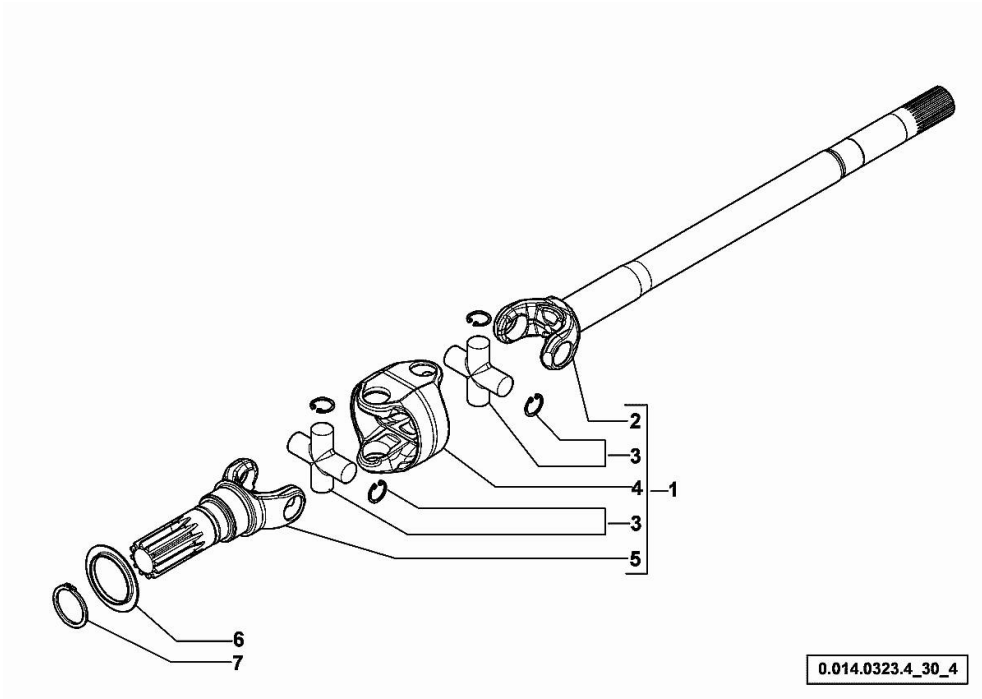


Fig.	P/n	QTY	Name
1	0.900.0109.4	1	gear COMPLETE ( 2, 3 & 4 )
2	0.900.0109.5	2	slewing ring
3	0.900.0109.6	1	pin
4	0.900.0109.7	1	pin Ø 6 x 86
5	0.900.0087.7	8	disc
6	0.900.0087.8	7	disc
7	0.900.0109.8	1	box
8	0.900.0088.0	10	screw m 12 x 35
9	0.900.0088.1	2	screw m 6 x 25
10	0.900.0090.0	1	disc
11	0.900.0088.3	2	pin Ø 12 x 28
12	0.900.0090.1	2	bearing
13	0.900.0109.9	1	ring nut m 94 p.1.5
14	0.900.0088.6	2	bushing
15	0.900.0088.7	1	oil seal
16	0.900.0088.8	1	oil seal
17	0.900.0088.9	1	piston
18	0.900.0089.0	1	disc
19	0.900.0089.1	1	oil seal
20	0.900.0952.0	1	cover - KIT
21	0.900.0089.3	6	screw m 10 x 35
22	0.900.0089.8	2	oil seal
23	0.900.0089.9	1	ring nut m 94 p.1.5

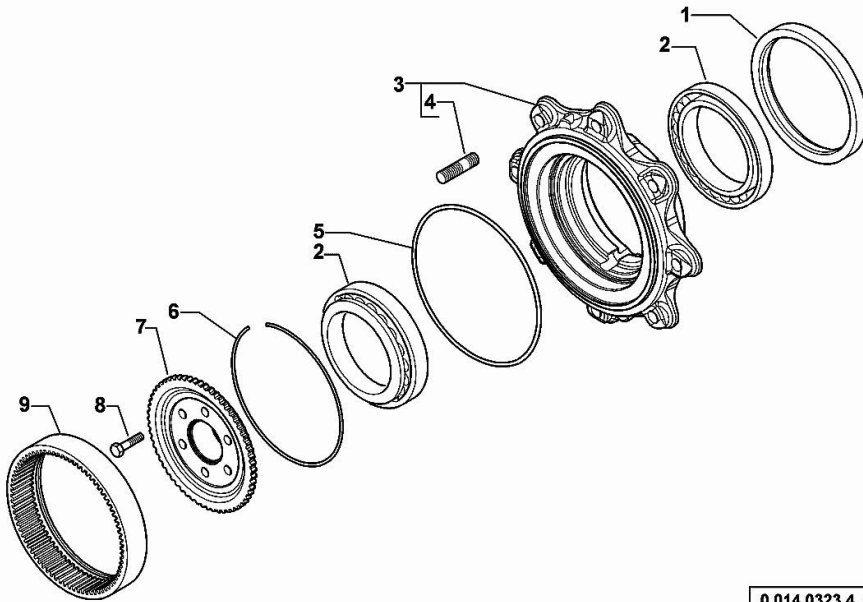
**DOUBLE COUPLING - 359577**

Fig.	P/n	QTY	Name
1	0.900.0912.7	1	shaft dx/rh/re COMPLETE ( 2, 3, 4 & 5 )
1	0.900.0912.8	1	shaft sx/lh/li COMPLETE ( 2, 3, 4 & 5 )
2	0.900.0965.4	1	half-shaft dx/rh/re
2	0.900.0965.5	1	half-shaft sx/lh/li
3	0.900.0572.7	4	universal joint
4	0.900.0110.5	2	box
5	0.900.0110.6	2	gear
6	0.900.0090.9	2	cover
7	0.900.0091.0	2	circlip



**WHEEL HUB - 359577**

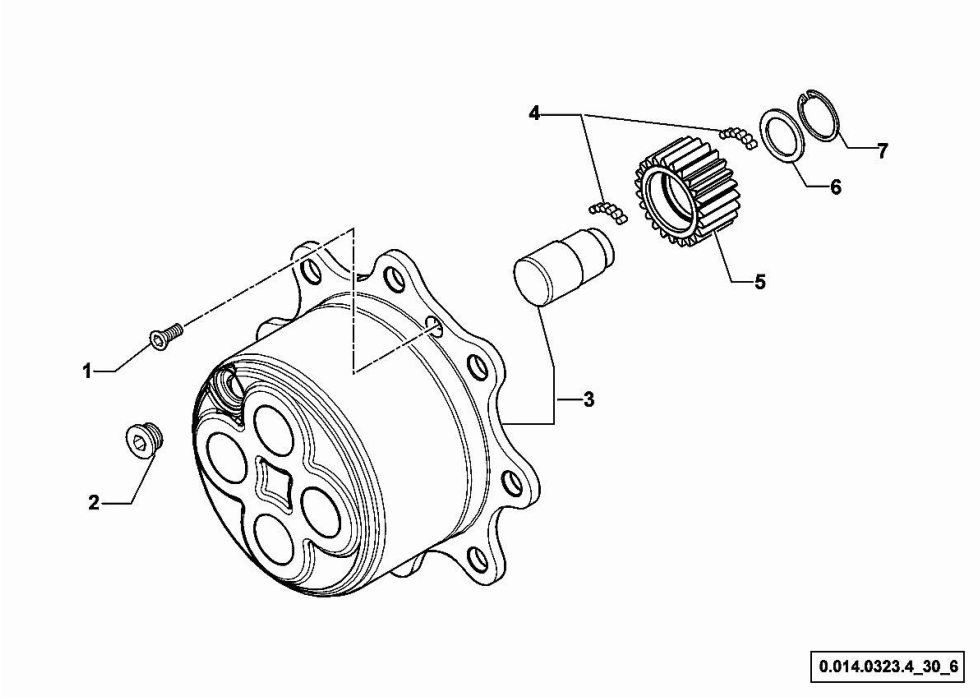
Fig.	P/n	QTY	Name
1	0.900.0091.1	2	oil seal 155x180x14,5
2	0.900.1360.6	4	bearing
3	0.900.0530.9	2	wheel hub COMPLETE ( 4 )
4	0.900.0091.4	16	stud bolt
5	0.900.0091.5	2	oil seal
6	0.900.0091.6	2	circlip
7	0.900.1360.7	2	hub
8	0.900.0091.8	12	screw m 12 x 45
9	0.900.0091.9	2	crown wheel Z = 60



0.014.0323.4\_30\_5

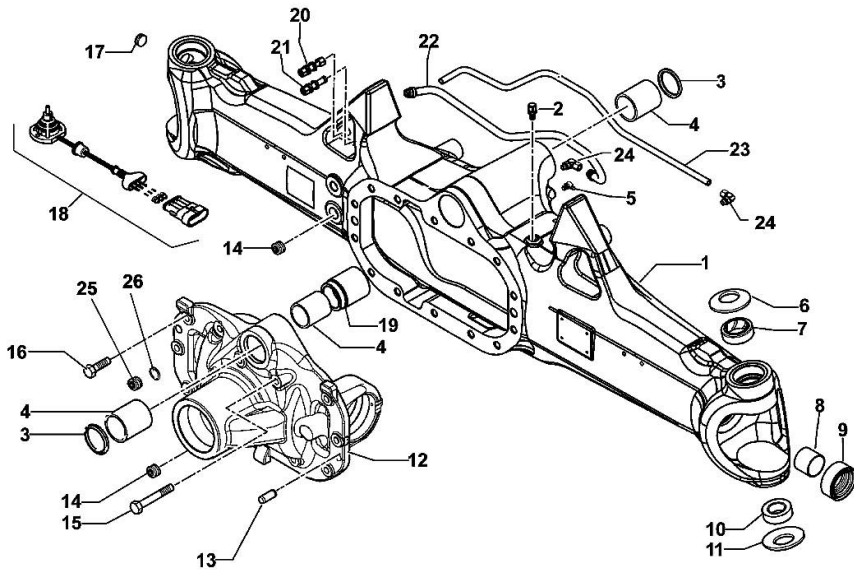
**PLANETARY GEAR - 359577**

Fig.	P/n	QTY	Name
1	0.900.0092.0	4	screw m 8 p.1.25 x 20
2	0.900.0092.1	2	plug m 30 p.2
3	0.900.0960.8	2	spider - KIT
4	0.900.0092.3	45	roller
5	0.900.0092.4	8	gear Z = 23
6	0.900.0092.5	8	slewing ring
7	0.900.0092.6	8	circlip



Section: F0 - FRONT AXLE  
**DRIVEN FRONT AXLE**

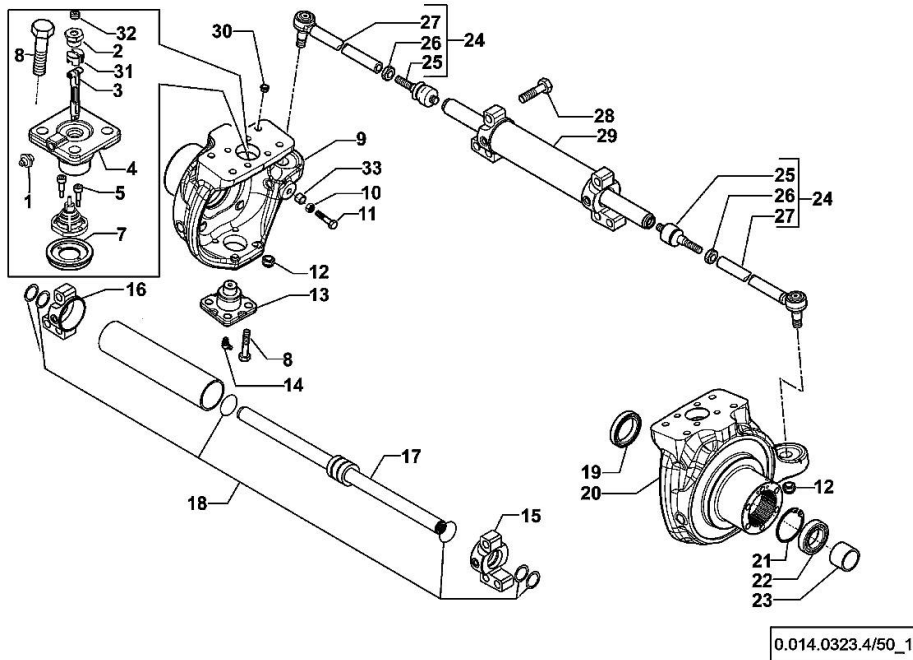
Fig.	P/n	QTY	Name
1	0.900.0965.1	1	front axle
2	0.900.0079.8	1	breather m 10 p.1
3	0.900.0079.9	2	circlip
4	0.900.0080.0	3	bushing
5	0.900.0080.1	1	grease gun m 8 p.1, 45°
6	0.900.0080.2	2	spring
7	0.900.0080.3	2	bushing
8	0.900.0080.4	2	bushing
9	0.900.0912.6	2	oil seal 40x65x27,5
10	0.900.0080.6	2	bearing
11	0.900.0080.7	2	spring
12	0.900.0960.4	1	support
13	0.900.0081.0	2	pin Ø 15x45
14	0.900.0081.1	2	plug m 24 p.1.5
15	0.900.0081.2	2	screw m 14x75
16	0.900.0081.3	12	screw m14 x 40
17	0.900.0081.6	1	plug m 26 p.1.5
18	0.900.0504.8	1	sensor - KIT
19	0.900.0082.2	1	bushing
20	0.900.0081.7	1	pipe fitting
21	0.900.0081.8	1	pipe fitting
22	0.900.0965.2	1	tube
23	0.900.0965.3	1	tube
24	0.900.0107.0	1	pipe fitting
25	0.900.1641.1	1	plug
26	0.900.0541.6	1	washer



0.014.0323.4/50\_0

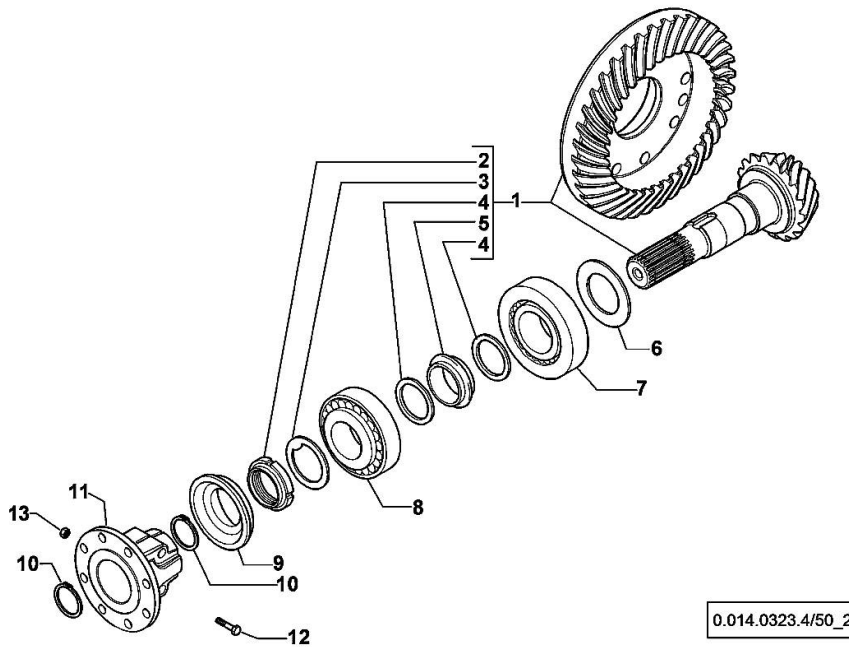
Section: F0 - FRONT AXLE  
**STEERING CYLINDER**

Fig.	P/n	QTY	Name
1	0.900.0542.4	2	grease gun m 6 p.1
2	0.900.0082.4	2	screw m 20 p.1.5
3	0.900.0502.3	1	shaft
4	0.900.0502.5	2	pin
5	0.900.0082.7	2	screw m 4 x 10
7	0.900.0865.2	1	cover
8	0.900.0082.9	16	screw m 14 x 35
9	0.900.0107.9	1	fork sx/lh/li
10	0.900.0083.1	2	nut m 14
11	0.900.0948.6	2	screw m 14
12	0.900.0083.3	2	nut m 20 p.1
13	0.900.0083.4	2	pin
14	0.900.0083.5	2	grease gun m 6 p.1, 45°
15	0.900.0107.1	1	fork dx/rh/re
16	0.900.0107.2	1	fork sx/lh/li
17	0.900.0107.3	1	stem
18	0.900.0107.4	1	gasket set
19	0.900.0083.9	2	oil seal 56x80x13/14,5
20	0.900.0107.5	1	fork dx/rh/re
21	0.900.0084.1	2	circlip
22	0.900.0084.2	2	bearing
23	0.900.0084.3	2	spacer
24	0.900.0107.6	2	rod
25	0.900.0084.5	1	ball joint
26	0.900.0084.6	1	nut m 24x10
27	0.900.0107.7	1	rod
28	0.900.0105.9	6	screw m 20x80
29	0.900.0107.8	1	jack
30	0.900.0085.0	8	plug
31	0.900.0961.2	1	small block
32	0.900.0894.3	2	plug
33	0.900.0948.7	2	bush



**BEVEL WHEEL GEAR**

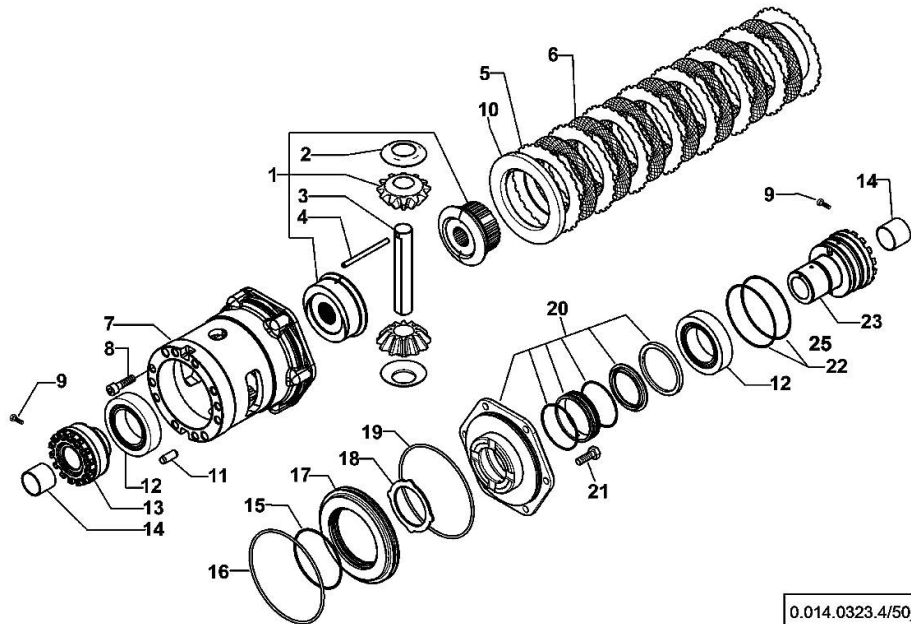
Fig.	P/n	QTY	Name
1	0.900.0108.0	1	bevel drive Z = 14/37
2	0.900.0085.5	1	ring nut m 40 p.1.5
3	0.900.0085.6	1	washer
4	0.900.0085.7	2	washer
5	0.900.0108.1	1	spacer
6	0.900.0108.2		shim 2.50
6	0.900.0108.3		shim 2.60
6	0.900.0108.4		shim 2.70
6	0.900.0108.5		shim 2.80
6	0.900.0108.6		shim 3.00
6	0.900.0108.7		shim 2.90
6	0.900.0108.8		shim 3.10
6	0.900.0108.9		shim 3.20
6	0.900.0109.0		shim 3.30
6	0.900.0109.1		shim 3.40
7	0.900.0109.2	1	bearing
8	0.900.0086.9	1	bearing
9	0.900.0087.0	1	oil seal 35x92/98x13/27
10	0.900.0087.1	2	circlip d = 35
11	0.900.0960.5	1	flange
12	0.900.0960.9	2	screw
13	0.900.0961.0	2	nut



0.014.0323.4/50\_2

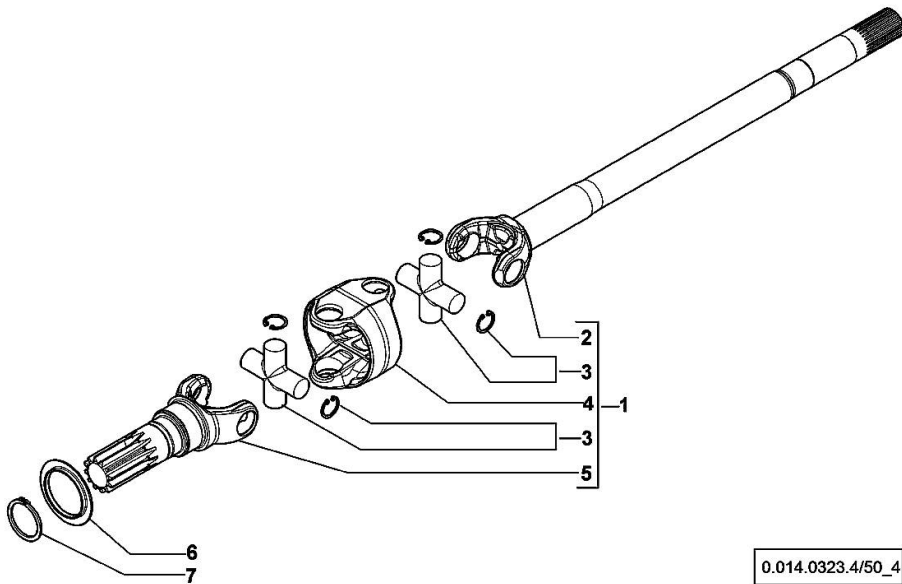
**DIFFERENTIAL**

Fig.	P/n	QTY	Name
1	0.900.0109.4	1	gear
2	0.900.0109.5	2	slewing ring
3	0.900.0109.6	1	pin
4	0.900.0109.7	1	pin Ø 6 x 86
5	0.900.0087.7	8	disc
6	0.900.0087.8	7	disc
7	0.900.0109.8	1	box
8	0.900.0088.0	10	screw m 12 x 35
9	0.900.0088.1	2	screw m 6 x 25
10	0.900.0090.0	1	disc
11	0.900.0088.3	2	pin Ø 12 x 28
12	0.900.0090.1	2	bearing
13	0.900.0109.9	1	ring nut m 94 p.1.5
14	0.900.0088.6	2	bushing
15	0.900.0088.7	1	oil seal
16	0.900.0088.8	1	oil seal
17	0.900.0088.9	1	piston
18	0.900.0089.0	1	disc
19	0.900.0089.1	1	oil seal
20	0.900.0952.0	1	cover - KIT
21	0.900.0089.3	6	screw m 10 x 35
22	0.900.0089.8	2	oil seal
23	0.900.0089.9	1	ring nut m 94 p.1.5



**DOUBLE COUPLING**

Fig.	P/n	QTY	Name
1	0.900.0912.7	1	shaft dx/rh/re
1	0.900.0912.8	1	shaft sx/lh/li
2	0.900.0965.4	1	half-shaft dx/rh/re
2	0.900.0965.5	1	half-shaft sx/lh/li
3	0.900.0572.7	4	universal joint
4	0.900.0110.5	2	box
5	0.900.0110.6	2	gear
6	0.900.0090.9	2	cover
7	0.900.0091.0	2	circlip





**Suggest:**

**For more complete manuals. Please go to the home page.**

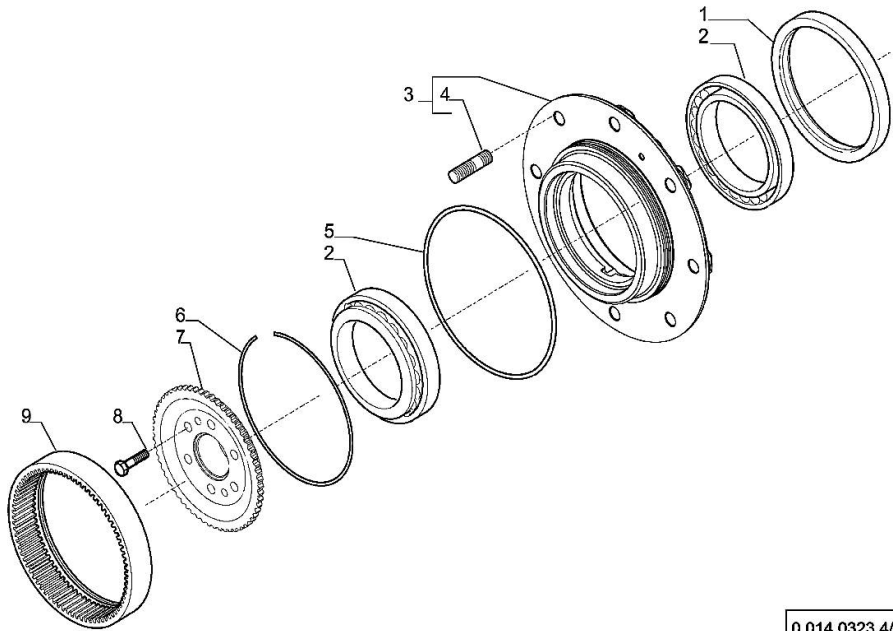
**<https://www.ebooklibonline.com>**

**If the above button click is invalid. Please download this document first, and then click the above link to download the complete manual.**

**Thank you so much for reading**

**WHEEL HUB**

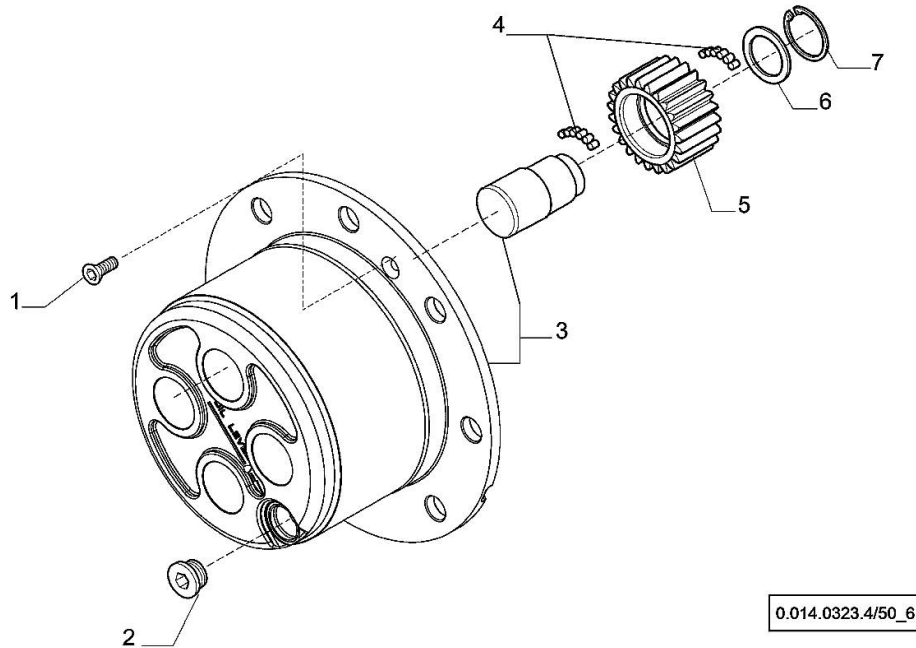
Fig.	P/n	QTY	Name
1	0.900.0091.1	2	oil seal 155x180x14,5
2	0.900.1360.6	4	bearing
3	0.900.0530.9	2	wheel hub
4	0.900.0091.4	8	stud bolt
5	0.900.0091.5	2	oil seal
6	0.900.0091.6	2	circlip
7	0.900.1360.7	2	hub
8	0.900.0091.8	12	screw m 12 x 45
9	0.900.1537.0	2	crown wheel z=60



0.014.0323.4/50\_5

**PLANETARY GEAR**

Fig.	P/n	QTY	Name
1	0.900.0092.0	4	screw m 8 p.1.25 x 20
2	0.900.0092.1	2	plug m 30 p.2
3	0.900.0960.8	2	spider - KIT
4	0.900.0092.3	45	roller
5	0.900.0092.4	8	gear Z = 23
6	0.900.0092.5	8	slewing ring
7	0.900.0092.6	8	circlip



**<https://www.ebooklibonline.com>**

Hello dear friend!

Thank you very much for reading.

Enter the link into your browser.

The full manual is available for immediate download.

**<https://www.ebooklibonline.com>**