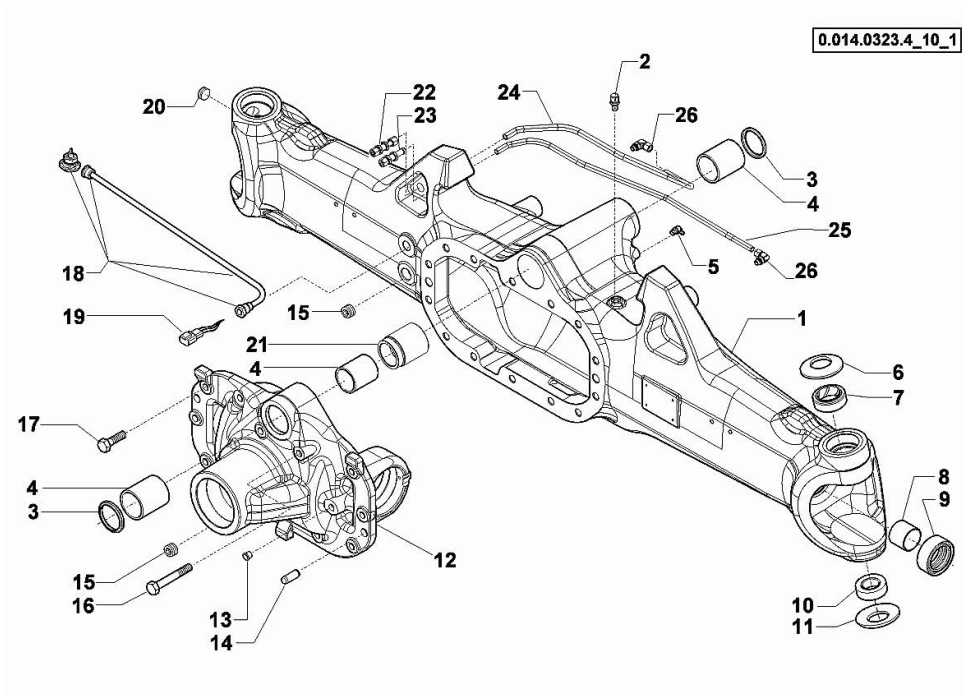
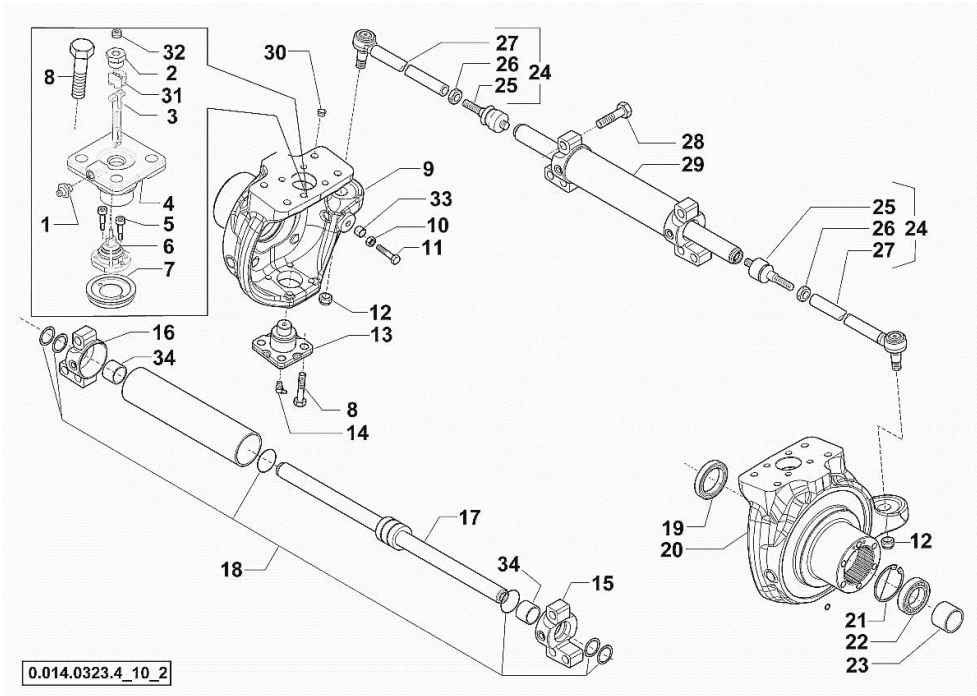


**DRIVEN FRONT AXLE - 641373**



| Fig. | P/n          | QTY | Name                    |
|------|--------------|-----|-------------------------|
| 1    | 0.900.0110.8 | 1   | casing                  |
| 2    | 0.900.0079.8 | 1   | breather m 10 p.1       |
| 3    | 0.900.0079.9 | 2   | circlip                 |
| 4    | 0.900.0080.0 | 3   | bushing                 |
| 5    | 0.900.0080.1 | 1   | grease gun m 8 p.1, 45° |
| 6    | 0.900.0080.2 | 2   | spring                  |
| 7    | 0.900.0080.3 | 2   | bushing                 |
| 8    | 0.900.0080.4 | 2   | bushing                 |
| 9    | 0.900.0912.6 | 2   | oil seal 40x65x27,5     |
| 10   | 0.900.0080.6 | 2   | bearing                 |
| 11   | 0.900.0080.7 | 2   | spring                  |
| 12   | 0.900.0960.4 | 1   | support                 |
| 13   | 0.900.0893.4 | 4   | plug D1                 |
| 14   | 0.900.0081.0 | 2   | pin Ø 15x45             |
| 15   | 0.900.0081.1 | 2   | plug m 24 p.1.5         |
| 16   | 0.900.0081.2 | 2   | screw m 14x75           |
| 17   | 0.900.0081.3 | 12  | screw m14 x 40          |
| 18   | 0.900.0504.8 | 1   | sensor - KIT            |
| 19   | 0.900.0081.5 | 1   | connector               |
| 20   | 0.900.0081.6 | 1   | plug m 26 p.1.5         |
| 21   | 0.900.0082.2 | 1   | bushing                 |
| 22   | 0.900.0081.7 | 1   | pipe fitting            |
| 23   | 0.900.0081.8 | 1   | pipe fitting            |
| 24   | 0.900.0106.8 | 1   | tube                    |
| 25   | 0.900.0106.9 | 1   | tube                    |
| 26   | 0.900.0107.0 | 2   | pipe fitting            |

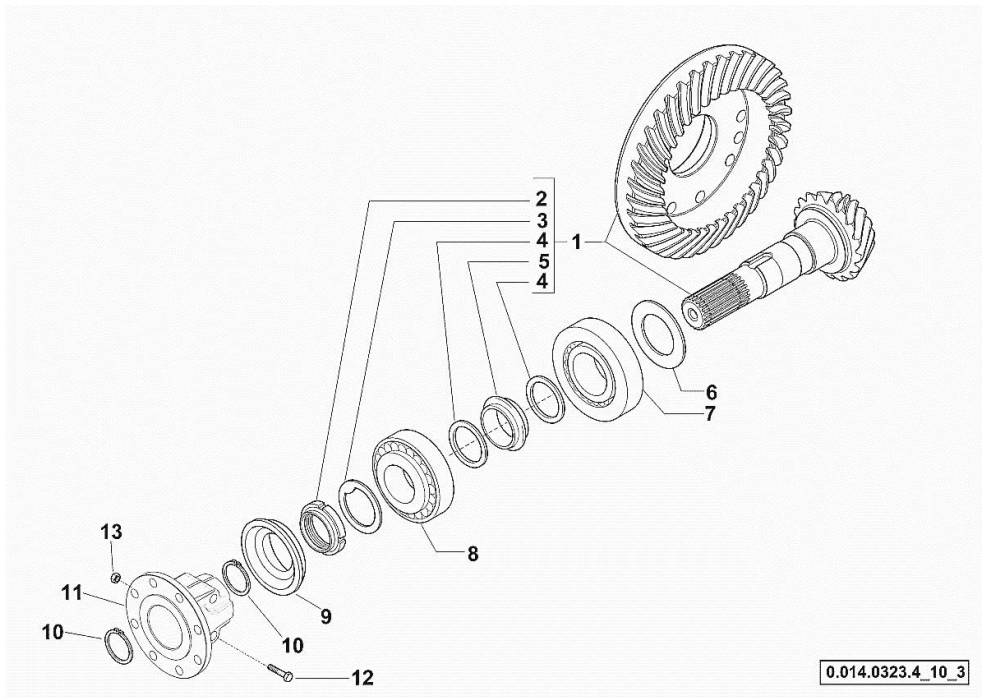
**STEERING CYLINDER - 641373**



| Fig. | P/n          | QTY | Name                        |
|------|--------------|-----|-----------------------------|
| 1    | 0.900.0542.4 | 2   | grease gun m 6 p.1          |
| 2    | 0.900.0082.4 | 2   | screw m 20 p.1.5            |
| 3    | 0.900.0502.3 | 1   | shaft                       |
| 4    | 0.900.0502.5 | 2   | pin                         |
| 5    | 0.900.0082.7 | 2   | screw m 4 x 10              |
| 7    | 0.900.0865.2 | 1   | cover                       |
| 8    | 0.900.0082.9 | 16  | screw m 14 x 35             |
| 9    | 0.900.0107.9 | 1   | fork sx/lh/li               |
| 10   | 0.900.0083.1 | 2   | nut m 14                    |
| 11   | 0.900.0948.6 | 2   | screw m 14                  |
| 12   | 0.900.0083.3 | 2   | nut m 20 p.1                |
| 13   | 0.900.0083.4 | 2   | pin                         |
| 14   | 0.900.0083.5 | 2   | grease gun m 6 p.1, 45°     |
| 15   | 0.900.0107.1 | 1   | fork dx/rh/re               |
| 16   | 0.900.0107.2 | 1   | fork sx/lh/li               |
| 17   | 0.900.0107.3 | 1   | stem                        |
| 18   | 0.900.0107.4 | 1   | gasket set                  |
| 19   | 0.900.0083.9 | 2   | oil seal 56x80x13/14,5      |
| 20   | 0.900.0107.5 | 1   | fork dx/rh/re               |
| 21   | 0.900.0084.1 | 2   | circlip                     |
| 22   | 0.900.0084.2 | 2   | bearing                     |
| 23   | 0.900.0084.3 | 2   | spacer                      |
| 24   | 0.900.0107.6 | 2   | rod                         |
|      |              |     | COMPLETE<br>( 25, 26 & 27 ) |
| 25   | 0.900.0084.5 | 2   | ball joint                  |
| 26   | 0.900.0084.6 | 2   | nut m 24x10                 |
| 27   | 0.900.0107.7 | 2   | rod                         |
| 28   | 0.900.0105.9 | 6   | screw m 20x80               |
| 29   | 0.900.0107.8 | 1   | jack                        |
| 30   | 0.900.0085.0 | 8   | plug                        |
| 31   | 0.900.0502.7 | 1   | washer                      |
| 32   | 0.900.0894.3 | 2   | plug                        |
| 33   | 0.900.0948.7 | 2   | bush                        |
| 34   | 0.900.1363.8 | 2   | bushing                     |

**BEVEL WHEEL GEAR - 641373**

| Fig. | P/n          | QTY | Name   |
|------|--------------|-----|--|
| 1    | 0.900.0108.0 | 1   | bevel drive Z = 14/37<br>COMPLETE<br>( 2, 3, 4 & 5 ) |
| 2    | 0.900.0085.5 | 1   | ring nut m 40 p.1.5                                  |
| 3    | 0.900.0085.6 | 1   | washer   |
| 4    | 0.900.0085.7 | 2   | washer   |
| 5    | 0.900.0108.1 | 1   | spacer   |
| 6    | 0.900.0108.2 |     | shim 2.50  |
| 6    | 0.900.0108.3 |     | shim 2.60  |
| 6    | 0.900.0108.4 |     | shim 2.70  |
| 6    | 0.900.0108.5 |     | shim 2.80  |
| 6    | 0.900.0108.6 |     | shim 3.00  |
| 6    | 0.900.0108.7 |     | shim 2.90  |
| 6    | 0.900.0108.8 |     | shim 3.10  |
| 6    | 0.900.0108.9 |     | shim 3.20  |
| 6    | 0.900.0109.0 |     | shim 3.30  |
| 6    | 0.900.0109.1 |     | shim 3.40  |
| 7    | 0.900.0109.2 | 1   | bearing  |
| 8    | 0.900.0086.9 | 1   | bearing  |
| 9    | 0.900.0087.0 | 1   | oil seal 35x92/98x13/27                              |
| 10   | 0.900.0087.1 | 1   | circlip d = 35                                       |
| 11   | 0.900.0960.5 | 1   | flange   |
| 12   | 0.900.0960.9 | 2   | screw  |
| 13   | 0.900.0961.0 | 2   | nut  |



**<https://www.ebooklibonline.com>**

Hello dear friend!

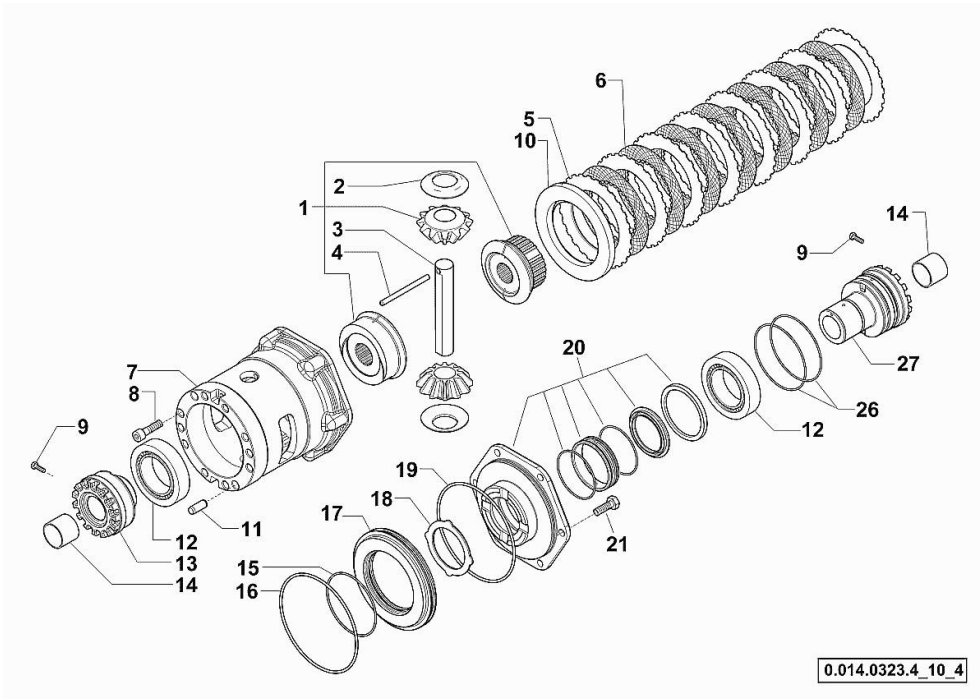
Thank you very much for reading.

Enter the link into your browser.

The full manual is available for immediate download.

**<https://www.ebooklibonline.com>**

Section: F0 - FRONT AXLE  
**DIFFERENTIAL - 641373**

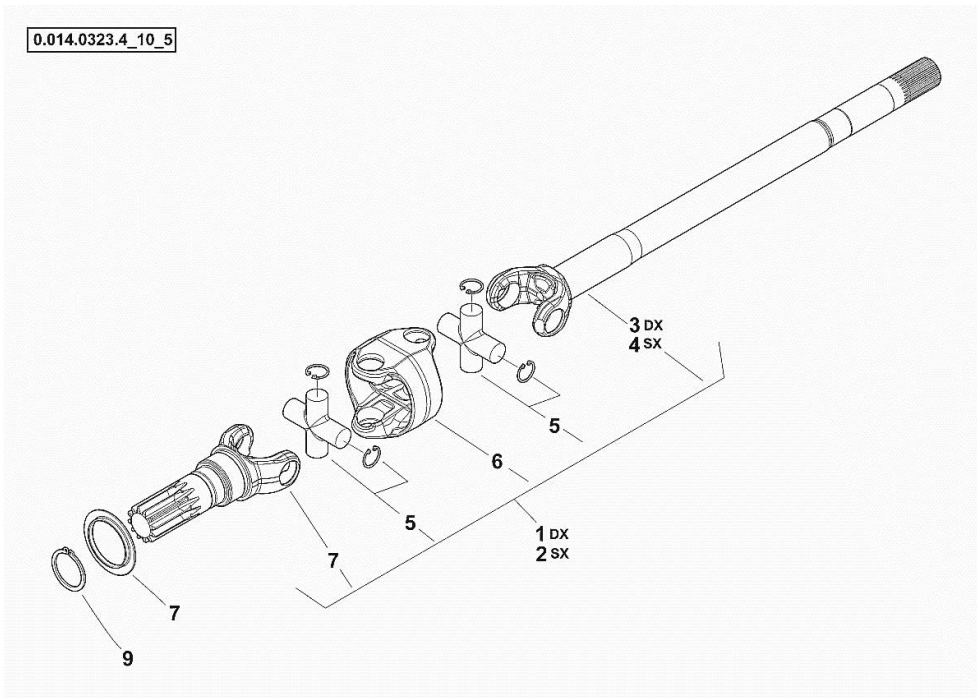


| Fig. | P/n          | QTY | Name                             |
|------|--------------|-----|----------------------------------|
| 1    | 0.900.0109.4 | 1   | gear<br>COMPLETE<br>( 2, 3 & 4 ) |
| 2    | 0.900.0109.5 | 2   | slewing ring                     |
| 3    | 0.900.0109.6 | 1   | pin                              |
| 4    | 0.900.0109.7 | 1   | pin Ø 6 x 86                     |
| 5    | 0.900.0087.7 | 8   | disc                             |
| 6    | 0.900.0087.8 | 7   | disc                             |
| 7    | 0.900.0109.8 | 1   | box                              |
| 8    | 0.900.0088.0 | 10  | screw m 12 x 35                  |
| 9    | 0.900.0088.1 | 2   | screw m 6 x 25                   |
| 10   | 0.900.0090.0 | 1   | disc                             |
| 11   | 0.900.0088.3 | 2   | pin Ø 12 x 28                    |
| 12   | 0.900.0090.1 | 2   | bearing                          |
| 13   | 0.900.0109.9 | 1   | ring nut m 94 p.1.5              |
| 14   | 0.900.0088.6 | 2   | bushing                          |
| 15   | 0.900.0088.7 | 1   | oil seal                         |
| 16   | 0.900.0088.8 | 1   | oil seal                         |
| 17   | 0.900.0088.9 | 1   | piston                           |
| 18   | 0.900.0089.0 | 1   | disc                             |
| 19   | 0.900.0089.1 | 1   | oil seal                         |
| 20   | 0.900.0952.0 | 1   | cover - KIT                      |
| 21   | 0.900.0089.3 | 6   | screw m 10 x 35                  |
| 26   | 0.900.0089.8 | 2   | oil seal                         |
| 27   | 0.900.0089.9 | 1   | ring nut m 94 p.1.5              |

0.014.0323.4\_10\_4

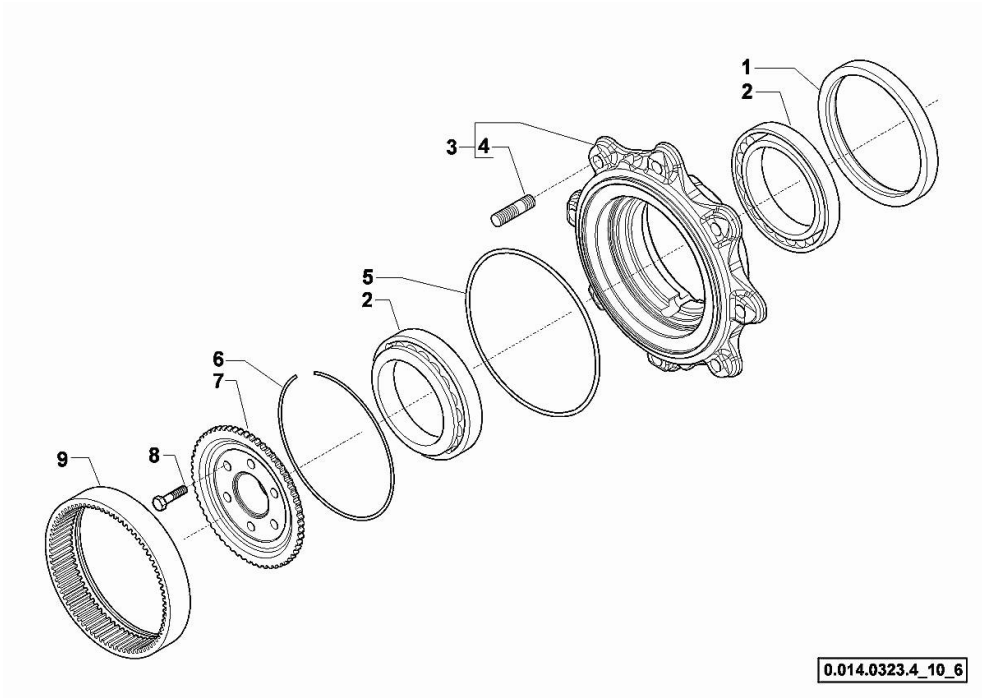
**DOUBLE COUPLING - 641373**

| Fig. | P/n          | QTY | Name  |
|------|--------------|-----|---|
| 1    | 0.900.0912.7 | 1   | shaft dx/rh/re<br>COMPLETE<br>( 3, 5, 6 & 7 ) |
| 2    | 0.900.0912.8 | 1   | shaft sx/lh/li<br>COMPLETE<br>( 4, 5, 6 & 7 ) |
| 3    | 0.900.0965.4 | 1   | half-shaft dx/rh/re                           |
| 4    | 0.900.0965.5 | 1   | half-shaft sx/lh/li                           |
| 5    | 0.900.0572.7 | 4   | universal joint                               |
| 6    | 0.900.0110.5 | 2   | box   |
| 7    | 0.900.0110.6 | 2   | gear  |
| 8    | 0.900.0090.9 | 2   | cover   |
| 9    | 0.900.0091.0 | 2   | circlip                                       |



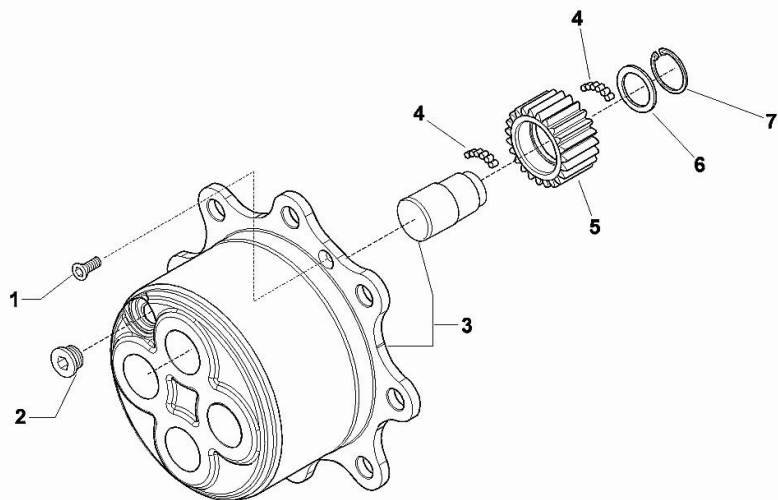
**WHEEL HUB - 641373**

| Fig. | P/n          | QTY | Name                     |
|------|--------------|-----|--------------------------|
| 1    | 0.900.0091.1 | 2   | oil seal 155x180x14,5    |
| 2    | 0.900.1360.6 | 4   | bearing                  |
| 3    | 0.900.0530.9 | 2   | wheel hub COMPLETE ( 4 ) |
| 4    | 0.900.0091.4 | 16  | stud bolt                |
| 5    | 0.900.0091.5 | 2   | oil seal                 |
| 6    | 0.900.0091.6 | 2   | circlip                  |
| 7    | 0.900.1360.7 | 2   | hub                      |
| 8    | 0.900.0091.8 | 12  | screw m 12 x 45          |
| 9    | 0.900.0091.9 | 2   | crown wheel Z = 60       |



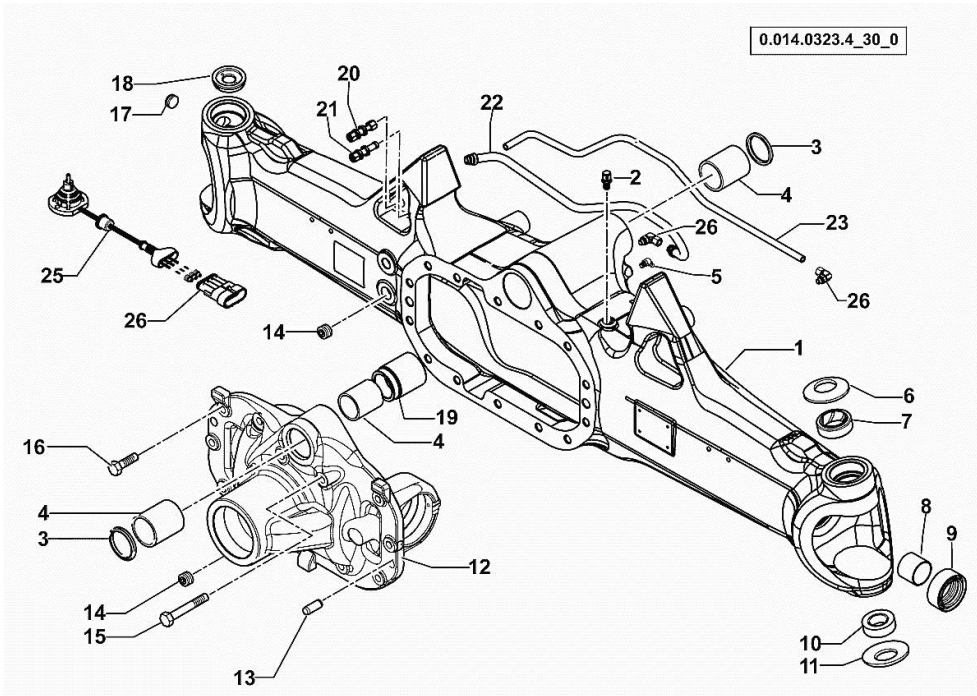
**PLANETARY GEAR - 641373**

| Fig. | P/n          | QTY | Name                  |
|------|--------------|-----|-----------------------|
| 1    | 0.900.0092.0 | 4   | screw m 8 p.1.25 x 20 |
| 2    | 0.900.0092.1 | 2   | plug m 30 p.2         |
| 3    | 0.900.0960.8 | 2   | spider - KIT          |
| 4    | 0.900.0092.3 | 45  | roller                |
| 5    | 0.900.0092.4 | 8   | gear Z = 23           |
| 6    | 0.900.0092.5 | 8   | slewing ring          |
| 7    | 0.900.0092.6 | 8   | circlip               |



0.014.0323.4\_10\_7

**DRIVEN FRONT AXLE - 359577**



| Fig. | P/n          | QTY | Name                    |
|------|--------------|-----|-------------------------|
| 1    | 0.900.0965.1 | 1   | front axle              |
| 2    | 0.900.0079.8 | 1   | breather m 10 p.1       |
| 3    | 0.900.0079.9 | 2   | circlip                 |
| 4    | 0.900.0080.0 | 3   | bushing                 |
| 5    | 0.900.0080.1 | 1   | grease gun m 8 p.1, 45° |
| 6    | 0.900.0080.2 | 2   | spring                  |
| 7    | 0.900.0080.3 | 2   | bushing                 |
| 8    | 0.900.0080.4 | 2   | bushing                 |
| 9    | 0.900.0912.6 | 2   | oil seal 40x65x27,5     |
| 10   | 0.900.0080.6 | 2   | bearing                 |
| 11   | 0.900.0080.7 | 2   | spring                  |
| 12   | 0.900.0960.4 | 1   | support                 |
| 13   | 0.900.0081.0 | 2   | pin Ø 15x45             |
| 14   | 0.900.0081.1 | 2   | plug m 24 p.1.5         |
| 15   | 0.900.0081.2 | 2   | screw m 14x75           |
| 16   | 0.900.0081.3 | 12  | screw m14 x 40          |
| 17   | 0.900.0081.6 | 1   | plug m 26 p.1.5         |
| 18   | 0.900.0966.6 | 1   | small cover             |
| 19   | 0.900.0082.2 | 1   | bushing                 |
| 20   | 0.900.0081.7 | 1   | pipe fitting            |
| 21   | 0.900.0081.8 | 1   | pipe fitting            |
| 22   | 0.900.0965.2 | 1   | tube                    |
| 23   | 0.900.0965.3 | 1   | tube                    |
| 24   | 0.900.0107.0 | 1   | pipe fitting            |
| 25   | 0.900.0504.8 | 1   | sensor - KIT            |
| 26   | 0.900.0081.5 | 2   | connector               |



**Suggest:**

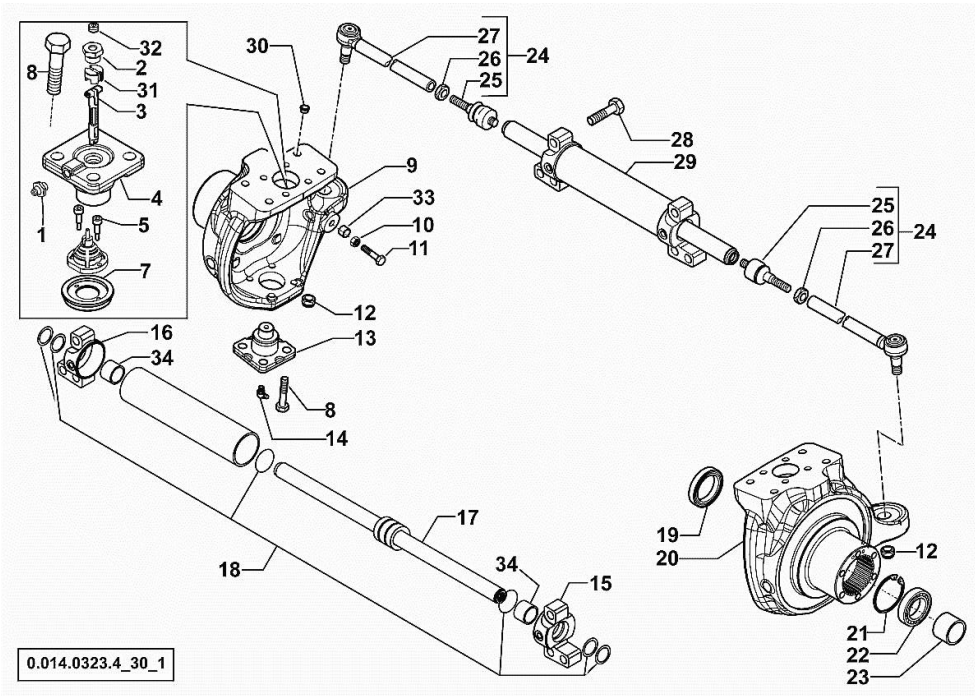
**For more complete manuals. Please go to the home page.**

**<https://www.ebooklibonline.com>**

**If the above button click is invalid. Please download this document first, and then click the above link to download the complete manual.**

**Thank you so much for reading**

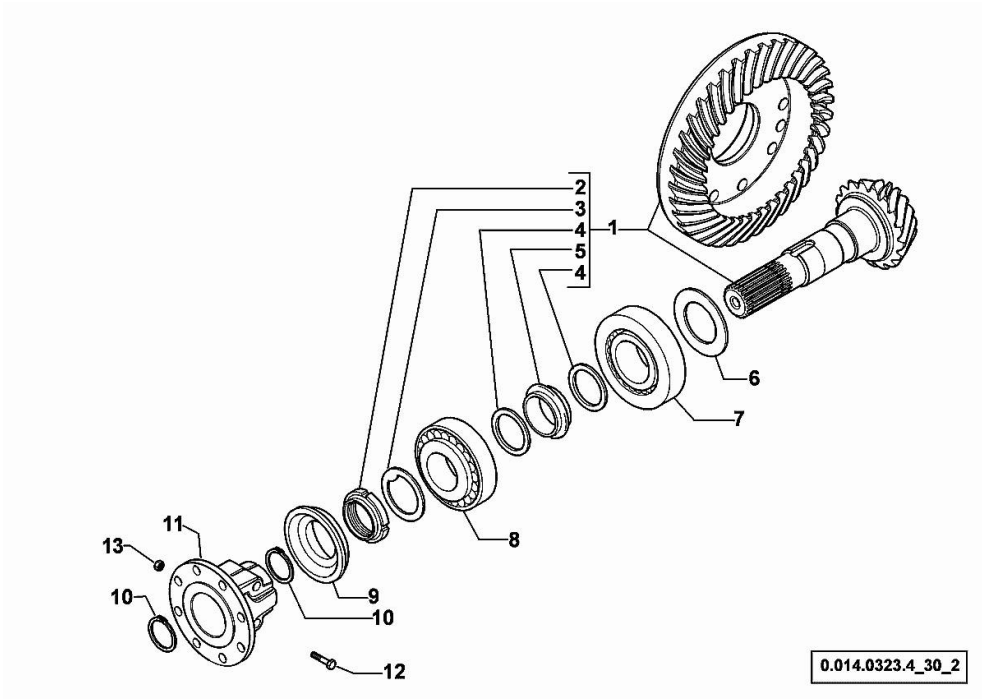
**STEERING CYLINDER - 359577**



| Fig. | P/n          | QTY | Name                        |
|------|--------------|-----|-----------------------------|
| 1    | 0.900.0542.4 | 2   | grease gun m 6 p.1          |
| 2    | 0.900.0082.4 | 2   | screw m 20 p.1.5            |
| 3    | 0.900.0502.3 | 1   | shaft                       |
| 4    | 0.900.0502.5 | 2   | pin                         |
| 5    | 0.900.0082.7 | 2   | screw m 4 x 10              |
| 7    | 0.900.0865.2 | 1   | cover                       |
| 8    | 0.900.0082.9 | 16  | screw m 14 x 35             |
| 9    | 0.900.0107.9 | 1   | fork sx/lh/li               |
| 10   | 0.900.0083.1 | 2   | nut m 14                    |
| 11   | 0.900.0948.6 | 2   | screw m 14                  |
| 12   | 0.900.0083.3 | 2   | nut m 20 p.1                |
| 13   | 0.900.0083.4 | 2   | pin                         |
| 14   | 0.900.0083.5 | 2   | grease gun m 6 p.1, 45°     |
| 15   | 0.900.0107.1 | 1   | fork dx/rh/re               |
| 16   | 0.900.0107.2 | 1   | fork sx/lh/li               |
| 17   | 0.900.0107.3 | 1   | stem                        |
| 18   | 0.900.0107.4 | 1   | gasket set                  |
| 19   | 0.900.0083.9 | 2   | oil seal 56x80x13/14,5      |
| 20   | 0.900.0107.5 | 1   | fork dx/rh/re               |
| 21   | 0.900.0084.1 | 2   | circlip                     |
| 22   | 0.900.0084.2 | 2   | bearing                     |
| 23   | 0.900.0084.3 | 2   | spacer                      |
| 24   | 0.900.0107.6 | 2   | rod                         |
|      |              |     | COMPLETE<br>( 25, 26 & 27 ) |
| 25   | 0.900.0084.5 | 2   | ball joint                  |
| 26   | 0.900.0084.6 | 2   | nut m 24x10                 |
| 27   | 0.900.0107.7 | 2   | rod                         |
| 28   | 0.900.0105.9 | 6   | screw m 20x80               |
| 29   | 0.900.0107.8 | 1   | jack                        |
| 30   | 0.900.0085.0 | 8   | plug                        |
| 31   | 0.900.0961.2 | 1   | small block                 |
| 32   | 0.900.0894.3 | 2   | plug                        |
| 33   | 0.900.0948.7 | 2   | bush                        |
| 34   | 0.900.1363.8 | 2   | bushing                     |

**BEVEL WHEEL GEAR - 359577**

| Fig. | P/n          | QTY | Name   |
|------|--------------|-----|--|
| 1    | 0.900.0108.0 | 1   | bevel drive Z = 14/37 COMPLETE ( 2, 3, 4 & 5 ) |
| 2    | 0.900.0085.5 | 1   | ring nut m 40 p.1.5                            |
| 3    | 0.900.0085.6 | 1   | washer   |
| 4    | 0.900.0085.7 | 2   | washer   |
| 5    | 0.900.0108.1 | 1   | spacer   |
| 6    | 0.900.0108.2 |     | shim 2.50                                      |
| 6    | 0.900.0108.3 |     | shim 2.60                                      |
| 6    | 0.900.0108.4 |     | shim 2.70                                      |
| 6    | 0.900.0108.5 |     | shim 2.80                                      |
| 6    | 0.900.0108.6 |     | shim 3.00                                      |
| 6    | 0.900.0108.7 |     | shim 2.90                                      |
| 6    | 0.900.0108.8 |     | shim 3.10                                      |
| 6    | 0.900.0108.9 |     | shim 3.20                                      |
| 6    | 0.900.0109.0 |     | shim 3.30                                      |
| 6    | 0.900.0109.1 |     | shim 3.40                                      |
| 7    | 0.900.0109.2 | 1   | bearing  |
| 8    | 0.900.0086.9 | 1   | bearing  |
| 9    | 0.900.0087.0 | 1   | oil seal 35x92/98x13/27                        |
| 10   | 0.900.0087.1 | 2   | circlip d = 35                                 |
| 11   | 0.900.0960.5 | 1   | flange   |
| 12   | 0.900.0960.9 | 2   | screw  |
| 13   | 0.900.0961.0 | 2   | nut  |



**<https://www.ebooklibonline.com>**

Hello dear friend!

Thank you very much for reading.

Enter the link into your browser.

The full manual is available for immediate download.

**<https://www.ebooklibonline.com>**