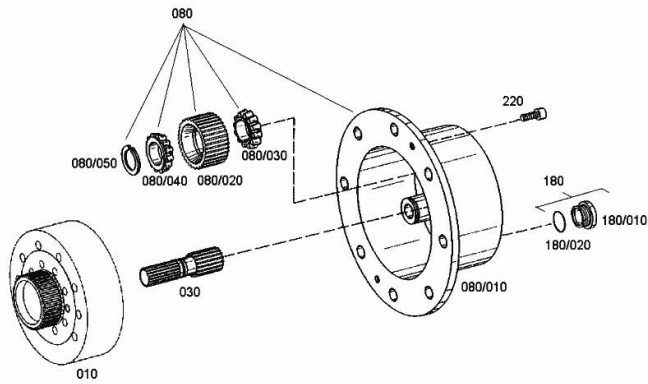


Section: FRONT AXLE  
**PLANETARY GEAR ZF**

Fig.	P/n	QTY	Name
------	-----	-----	------

Notes:  
 [IRON 130 S]

10	04417260	2	bearing z = 80
30	04439039	2	shaft Z = 16
80	0.900.0052.9	2	carrier
80.10	0.900.0002.8	2	carrier
80.20	04428567	6	crown wheel Z = 30
80.30	04428500	6	bearing
80.40	04428501	6	bearing
80.50	04417259	6	circlip
180	0.000.0000.1	2	cannot be supplied
180.10	0.010.2921.2	2	plug m 36 p.1.5
180.20	0.010.3352.0	2	oil seal 33x2.2
220	0.010.2936.2	4	screw m 10 x 20

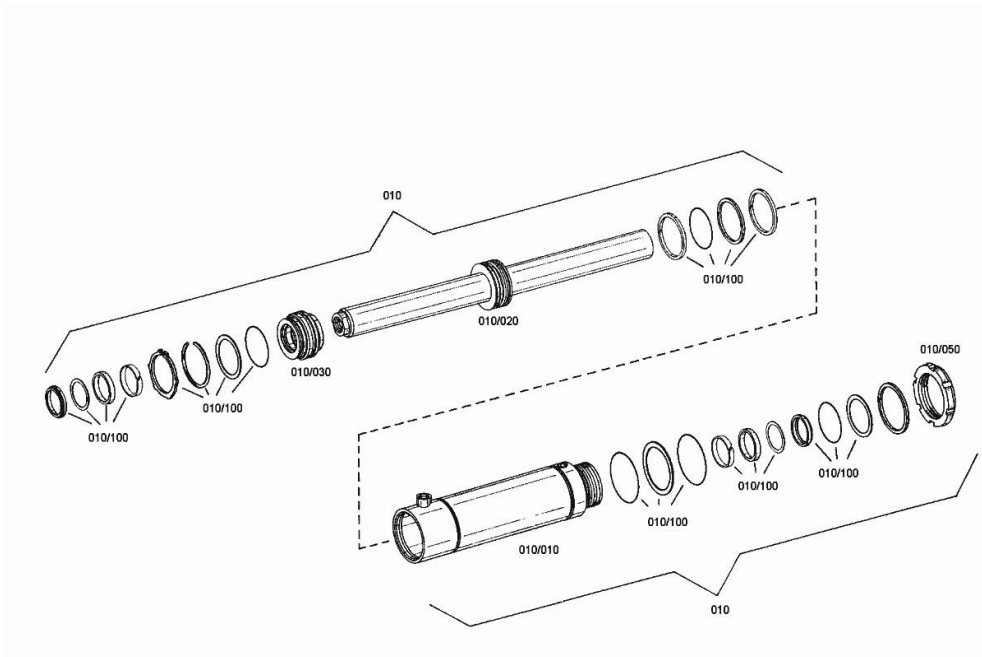


Section: FRONT AXLE  
**STEERING CYLINDER ZF**

Fig.	P/n	QTY	Name
------	-----	-----	------

Notes:  
 [IRON 130 S]

10	04415059.4	1	cylinder
10.10	04415968	1	engine cylinder
10.20	04415969	1	piston
10.30	04415674	1	bushing
10.50	0.010.3094.0	1	nut
10.100	04415677	1	seal ring kit

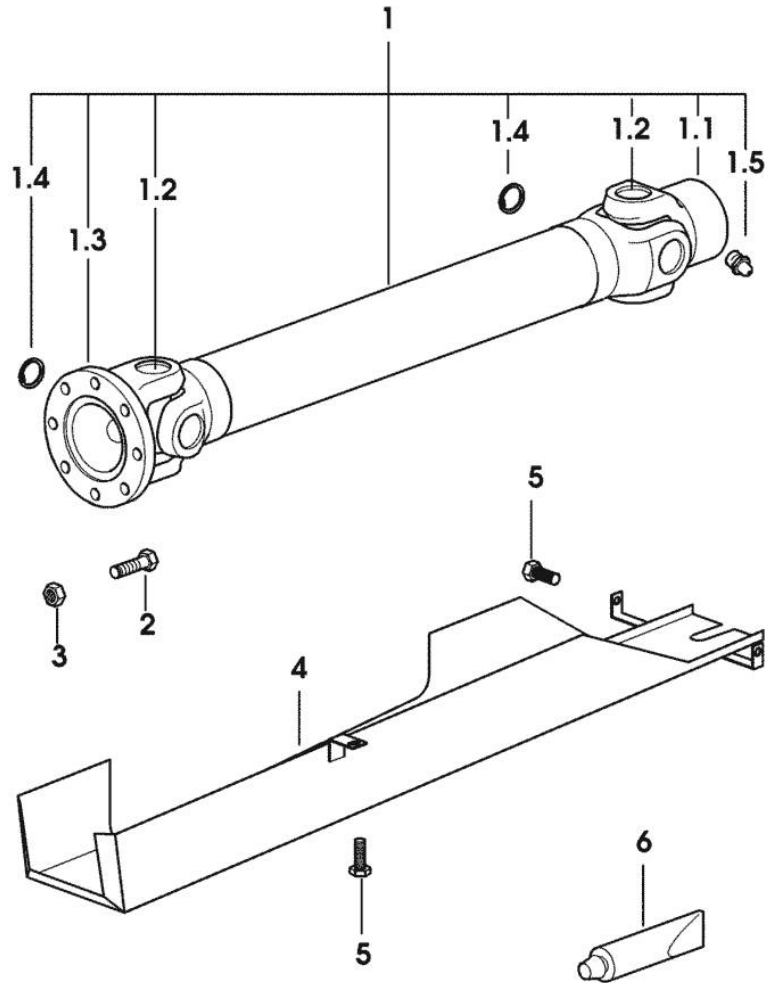


**PROPELLER SHAFT - WITHOUT FRONT SUSPENSION**

Fig.	P/n	QTY	Name
------	-----	-----	------

Notes:  
[IRON 130 S]

1	04411491.4	1	axle shaft
1.1	04416464	1	shaft
1.2	04416465	2	universal joint - KIT
1.3	04416466	1	flange
1.4	01107821	8	circlip 35x1,5 d472
1.5	01168224	1	grease gun m 6
2	02326053	8	screw m 10 x 25
3	01136456	8	nut m 10
4	04411274.4	1	small guard
5	01139692	4	screw m 10 x 20
6	01016130		sealing compound AS 450



9\_A3626\_00\_0\_0

**<https://www.ebooklibonline.com>**

Hello dear friend!

Thank you very much for reading.

Enter the link into your browser.

The full manual is available for immediate download.

**<https://www.ebooklibonline.com>**

**PROPELLER SHAFT - WITH FRONT SUSPENSION**

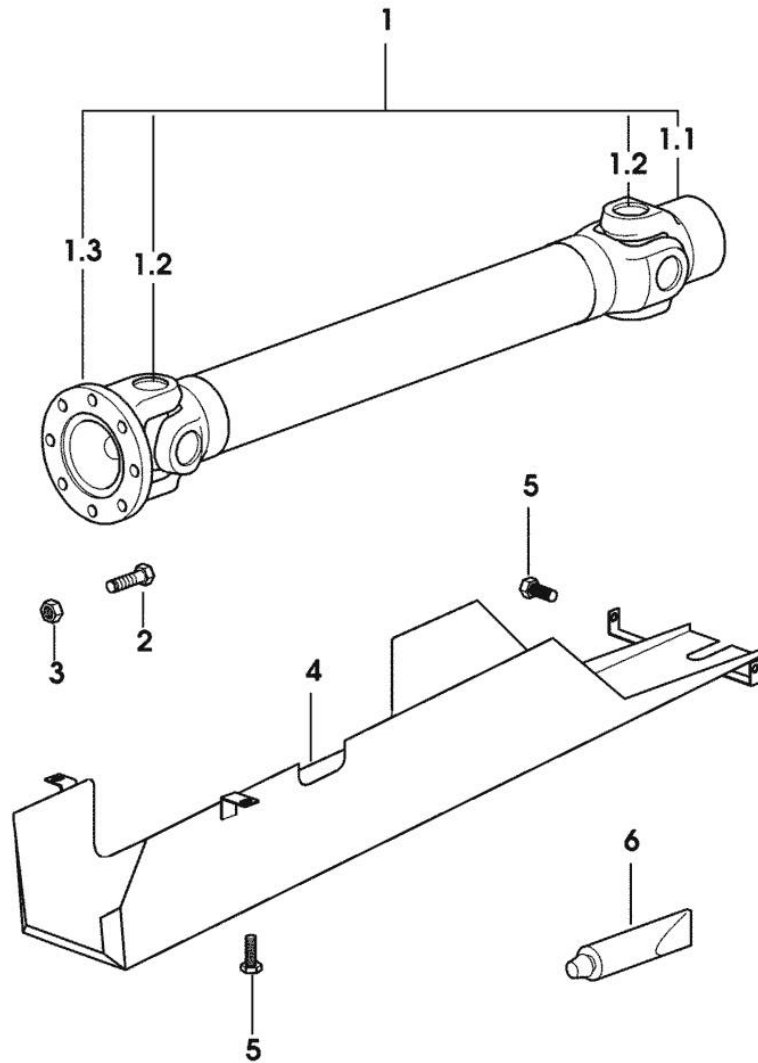


Fig.	P/n	QTY	Name
------	-----	-----	------

Notes:  
[IRON 130 S]

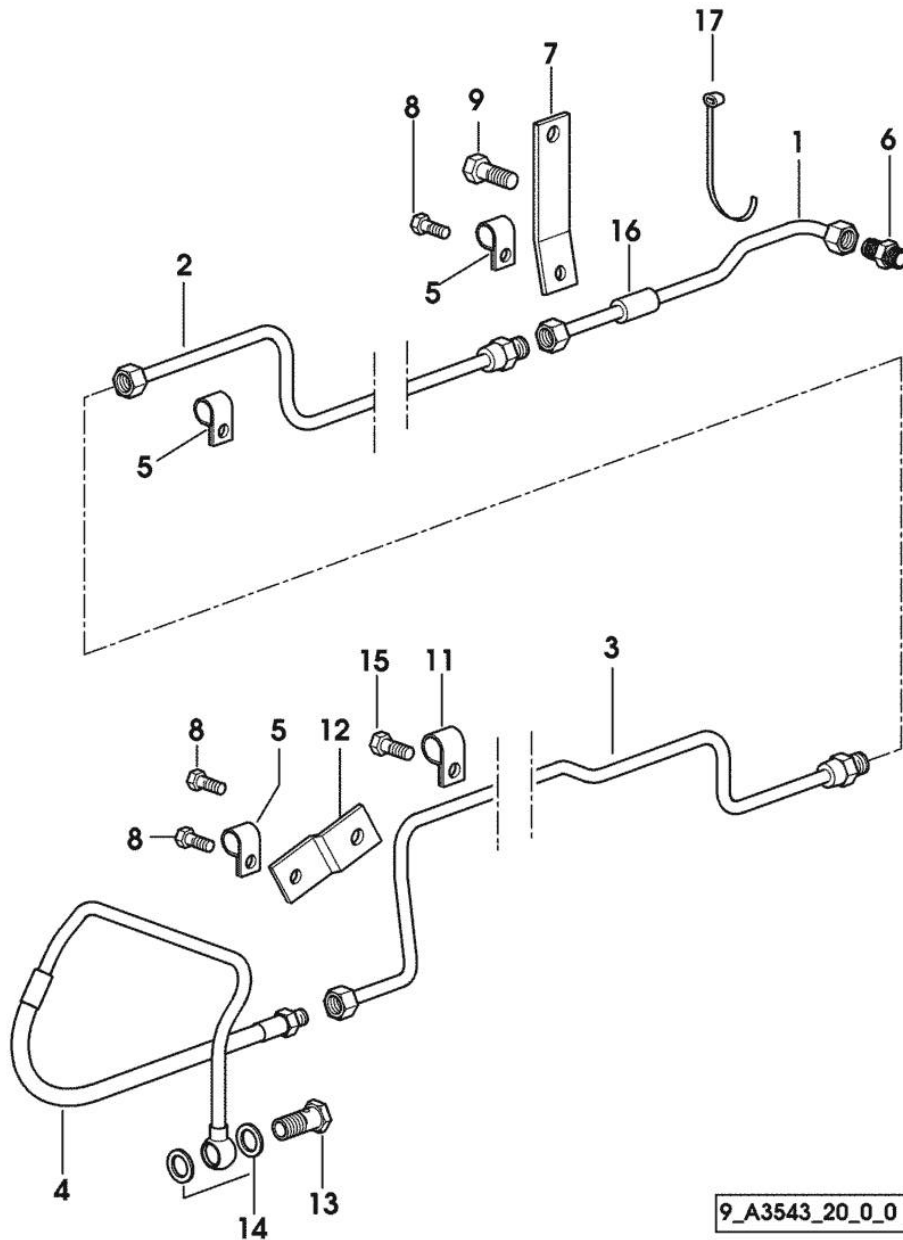
1	04419899.4	1	transmission shaft
1.1	04423196	1	shaft
1.2	04423195	2	universal joint
1.3	04423194	1	flange
2	02326053	8	screw m 10 x 25
3	01136456	8	nut m 10
4	04419897.4	1	small guard
5	01139692	4	screw m 10 x 20
6	01016130		sealing compound AS 450

Section: FRONT AXLE  
**DIFFERENTIAL LOCK**

Fig.	P/n	QTY	Name
------	-----	-----	------

Notes:  
 [IRON 130 S]

1	04437550	1	tube
2	04450534/20	1	pipng
3	04450494	1	pipng
4	04437726	1	tube
5	01212670	3	fascia B10X15
6	01179243	1	pipe fitting M 14X1.5X10
7	04451802	1	support
8	01112264	3	screw m 6 x 20, d933
9	01143047	1	screw m 10 x 35
11	01220008	1	fascia B10X20
12	04422758.4	1	bracket
13	01119246	1	pipe union H 3102 -D10 M
14	01171517	2	oil seal 14.7x22x1.5
15	01129110	1	screw m 8 p.1.25 x 20
16	01175701	3	rubber sleeve G12X19X25
17	01172065	3	clamp 4.6 x 146

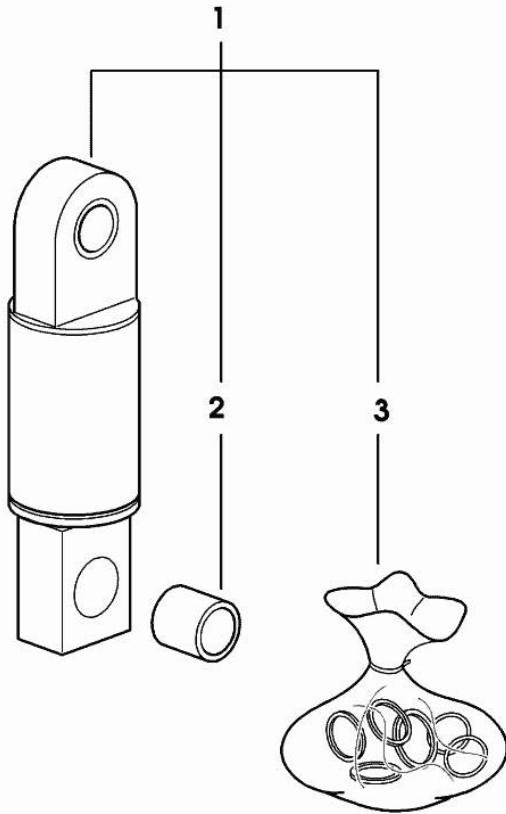


9\_A3543\_20\_0\_0

Section: FRONT AXLE

**CYLINDER PARTS OGNIBENE**

Fig.	P/n	QTY	Name
1	0.013.9104.4	1	cylinder sx/lh/li
2	0.900.0038.2	2	bush
3	0.900.0038.1	1	gasket set

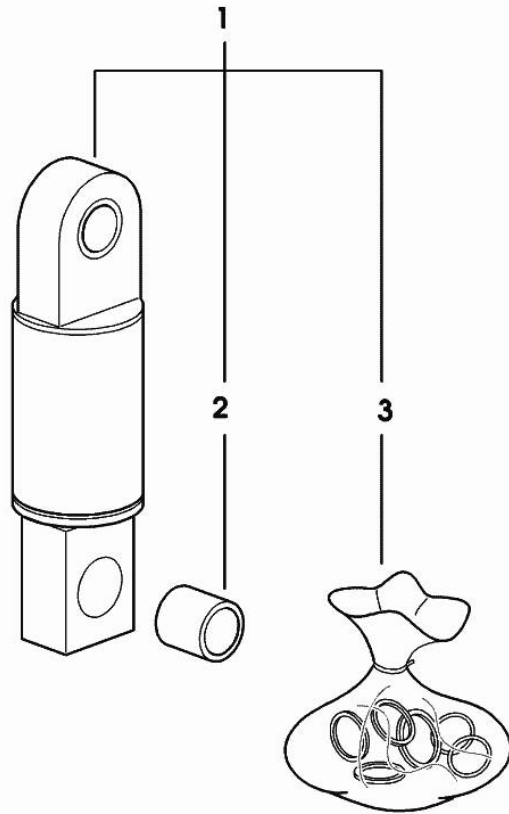


0\_013\_9104\_4

Section: FRONT AXLE

**CYLINDER PARTS OGNIBENE**

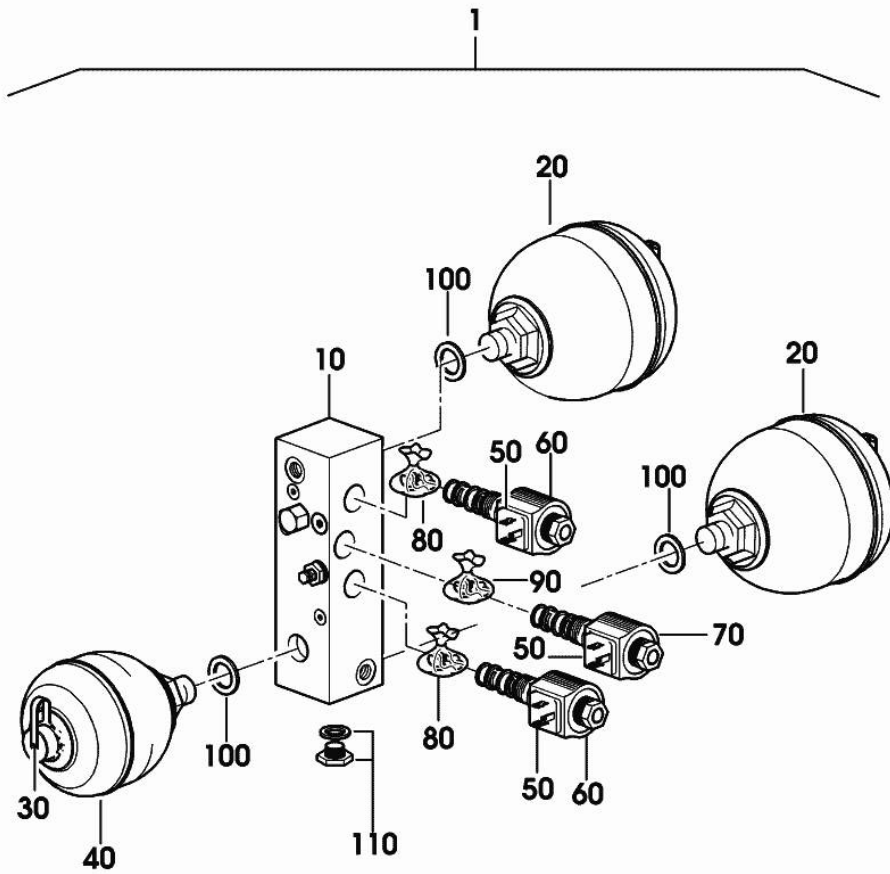
Fig.	P/n	QTY	Name
1	0.013.9105.4	1	cylinder dx/rh/re
2	0.900.0038.2	2	bush
3	0.900.0038.1	1	gasket set



0\_013\_9105\_4

**ACCUMULATOR COMPONENTS**

Fig.	P/n	QTY	Name
1	04450418	1	valve
20	0.010.3227.2	2	accumulator
30	04439556	1	small guard
40	0.010.3228.1	1	accumulator
50	04423803	3	magnet
60	04423808	2	valve
70	04423804	1	valve
80	04423807	2	gasket set
90	04423801	1	gasket set
100	04423806	3	copper gasket
110	0.010.3228.2	1	plug



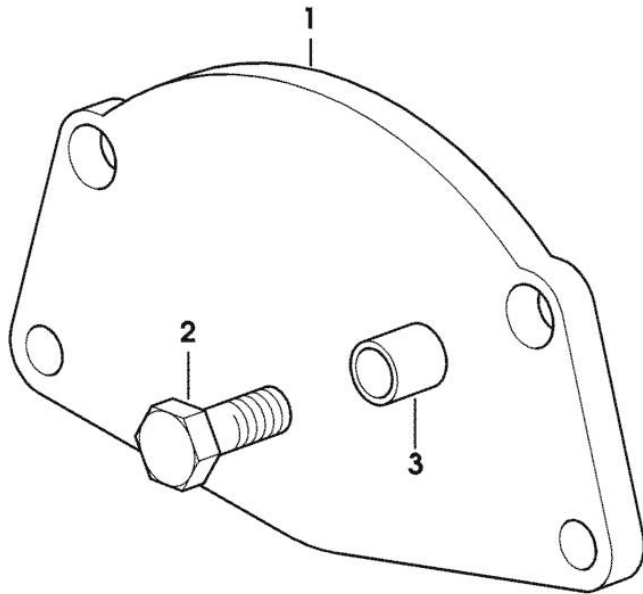
04450418

**FRONT COVER WITHOUT FRONT HOOK**

Fig.	P/n	QTY	Name
------	-----	-----	------

Notes:  
[IRON 130 S]

1	04422634	1	plate
2	01112687	4	screw m 16 x 40
3	04388695	2	bushing 17x22x23
4	01167317	12	plug 14.5X11.5X21



9\_95052\_31\_0\_0



**Suggest:**

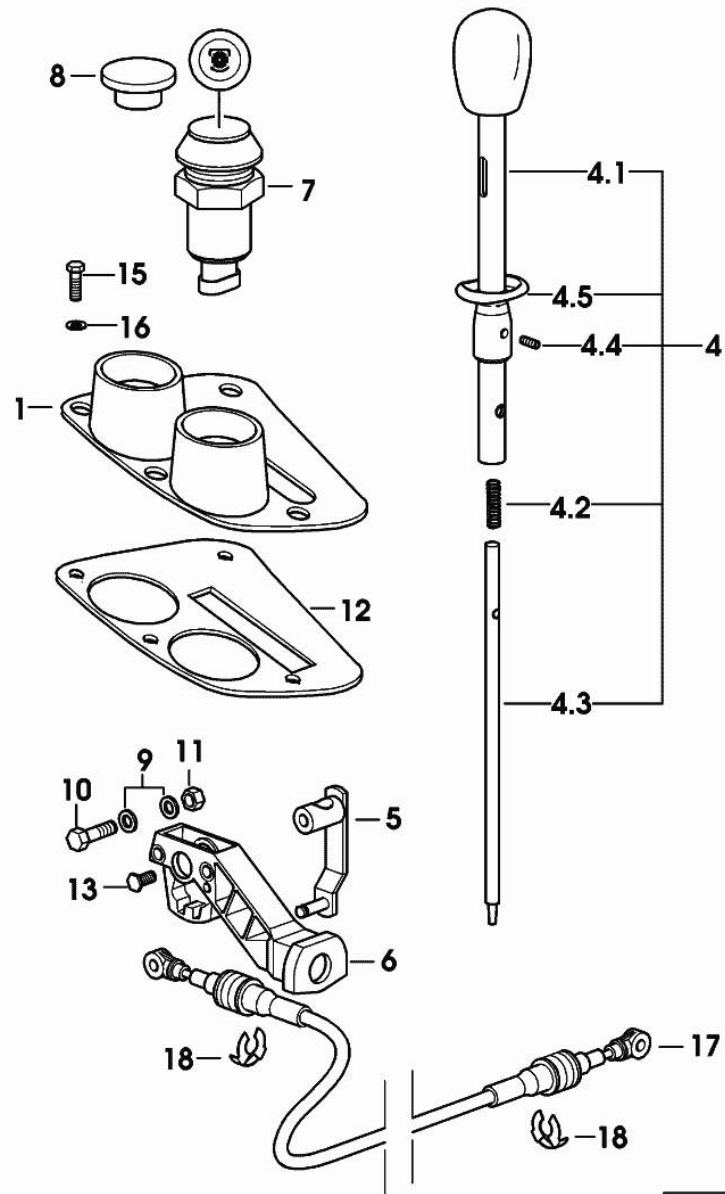
**For more complete manuals. Please go to the home page.**

**<https://www.ebooklibonline.com>**

**If the above button click is invalid. Please download this document first, and then click the above link to download the complete manual.**

**Thank you so much for reading**

**P.T.O. SHAFT DRIVE**



Notes:  
[IRON 130 S]

Fig.	P/n	QTY	Name
1	04429373	1	plate
4	04452926.4	1	operation
4.1	04452924	1	lever
4.2	04426194	1	spring
4.3	04429555	1	rod
4.4	01144807	1	screw
4.5	04411645	1	coupling
5	04423032.4	1	lever
6	04425448/10	1	support
7	04411533	1	switch
8	01172220	1	bottom
9	01138374	4	washer 8,4x21x4
10	01124457	2	screw m 8 x 45
11	01136452	2	nut vm 8 d980
12	04429328.4	1	crosspiece
13	04423712	1	screw
15	04429756	4	screw
16	01139990	4	washer
17	04429751	1	rod mm 2520
18	04418159	2	circlip

9\_95368\_06\_0\_0

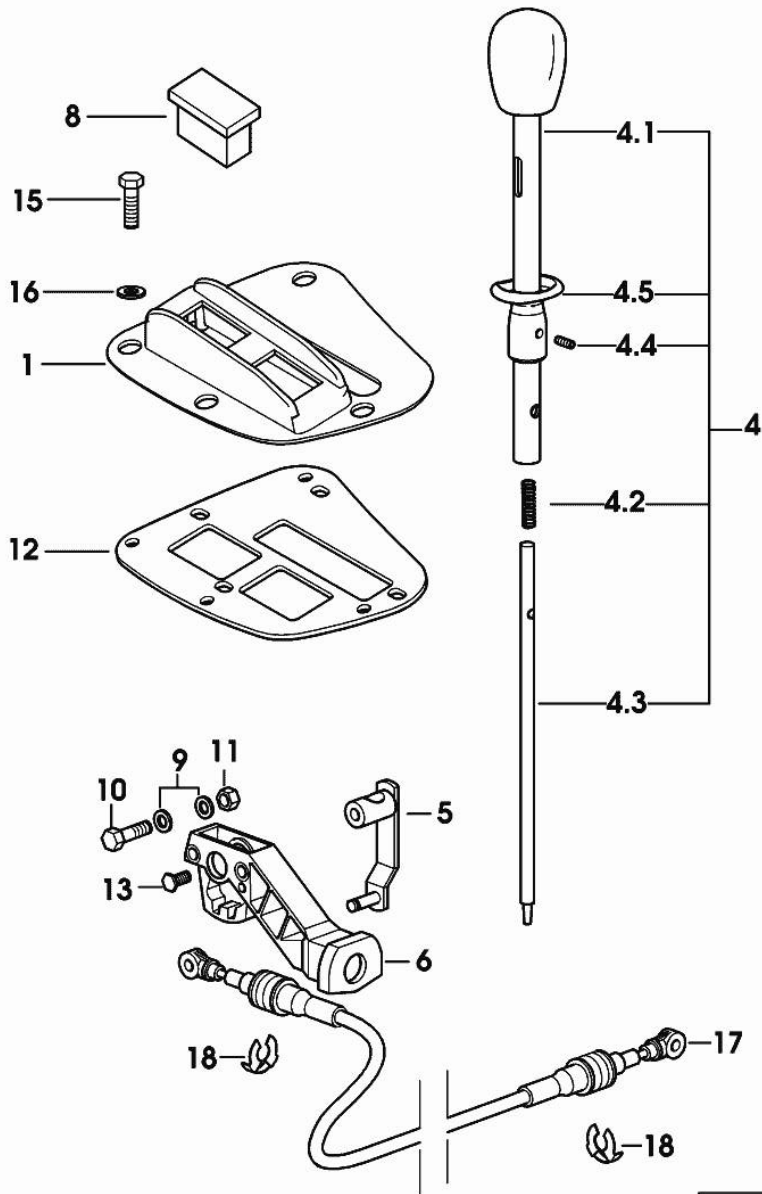
Section: FRONT AND REAR P.T.O.

**P.T.O. SHAFT DRIVE EXPORT U.S.A.**

Fig.	P/n	QTY	Name
------	-----	-----	------

Notes:  
[IRON 130 S]

1	0.012.9467.0/10	1	cover
4	04452926.4	1	operation
4.1	04452924	1	lever
4.2	04426194	1	spring
4.3	04429555	1	rod
4.4	01144807	1	screw
4.5	04411645	1	coupling
5	04423032.4	1	lever
6	04425448/10	1	support
8	0.011.3513.0	1	plug
9	01138374	4	washer 8,4x21x4
10	01124457	2	screw m 8 x 45
11	01136452	2	nut vm 8 d980
12	0.012.9465.3	1	plate
13	04423712	1	screw
15	04429756	4	screw
16	01139990	4	washer
17	04429751	1	rod mm 2520
18	04418159	2	circlip



9\_A3568\_01\_0\_0

**<https://www.ebooklibonline.com>**

Hello dear friend!

Thank you very much for reading.

Enter the link into your browser.

The full manual is available for immediate download.

**<https://www.ebooklibonline.com>**