

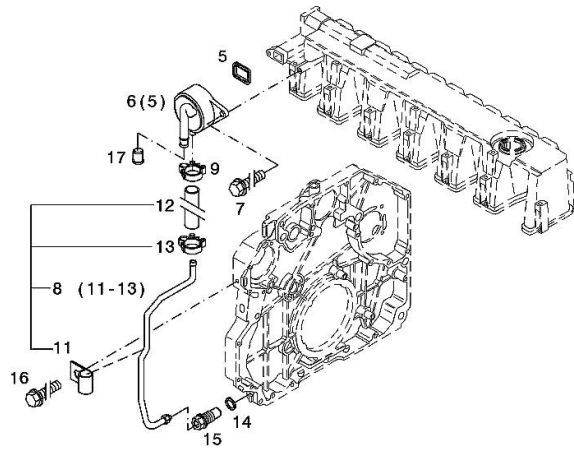
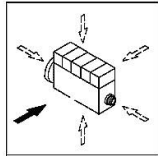
Section: B0 - ENGINE
CRANKCASE BREATHER

Fig.	P/n	QTY	Name
------	-----	-----	------

Notes:
 [IRON 130 DCR -> 20001]

Engine serial number:
 10795289 10795291 10796871 10796876 10805811 10805812 10805814 10805815 10807075 10823592 10834133
 10834135 10839691 10839693 10839699 10839701 10840758 10840760 10840768 10843208 10844579 10844589
 10847630 10847641 10848578 10855584 10855590 10855593 10861541 10863191 10863195 10868889 10868891
 10868892 10868895 10868896 10868897 10868898 10891197 10908969 10914551 10918624 10919466 10920297
 10920298 10926970 10926971 10935304 10935307 10963644 10967763 10967765 10967766 10967767 10967769
 10967770 10967771 10967772 10972431 10977142 10977146 10981509 10981513 10981514 10981516 10981518
 10982730 11013237 11292392 11292393 11292394 11296538 11296541

002 ©



5	04298547	1	rubber plug
6	04905110	1	breather WITH POS.... (5)
7	01181432	2	screw m8x30 EN 1662 -F-M8X30-10.9-ZNAL-A
8	04504876	1	tube WITH POS.... 11-13
9	01182878	1	fascia H 3461 -F-13,0/8
11	02144961	1	fascia
12	04288507	1	rubber tube H 3407 -F8X14X57-EAM/ARAMID/EAM
13	01182878	1	fascia H 3461 -F-13,0/8
14	01118737	1	oil seal 22 x 27 DIN 7603 -A22X27-CU
15	04505853	1	pipe union
16	01181442	1	screw m6x12 EN 1662 -F-M6X12-10.9-ZNAL-A
17	01161302	1	bottom H 2873 -A25,5X22,8X17-PEWEICH

Section: B0 - ENGINE
OIL FILLER NECK

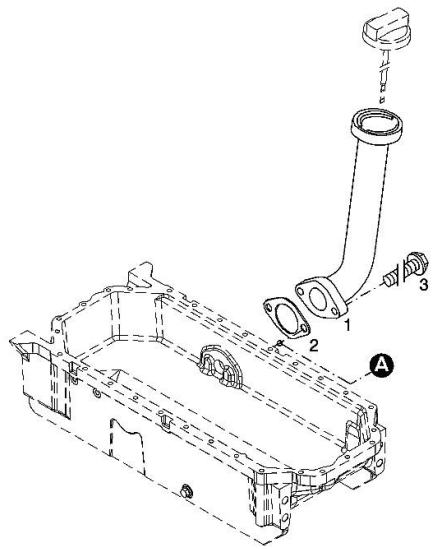
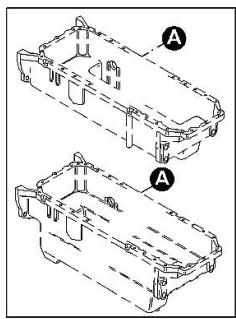
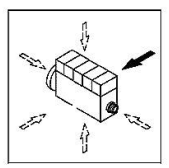
Fig.	P/n	QTY	Name
------	-----	-----	------

Notes:
 [IRON 130 DCR -> 20001]

Engine serial number:
 10795289 10795291 10796871 10796876 10805811 10805812 10805814 10805815 10807075 10823592 10834133
 10834135 10839691 10839693 10839699 10839701 10840758 10840760 10840768 10843208 10844579 10844589
 10847630 10847641 10848578 10855584 10855590 10855593 10861541 10863191 10863195 10868889 10868891
 10868892 10868895 10868896 10868897 10868898 10891197 10908969 10914551 10918624 10919466 10920297
 10920298 10926970 10926971 10935304 10935307 10963644 10967763 10967765 10967766 10967767 10967769
 10967770 10967771 10967772 10972431 10977142 10977146 10981509 10981513 10981514 10981516 10981518
 10982730 11013237 11292392 11292393 11292394 11296538 11296541



1	04207099	1	tube
2	01178421	1	gasket
3	01181433	2	screw
			30 Nm



Section: B0 - ENGINE

ACCESSORIES

Fig.	P/n	QTY	Name
------	-----	-----	------

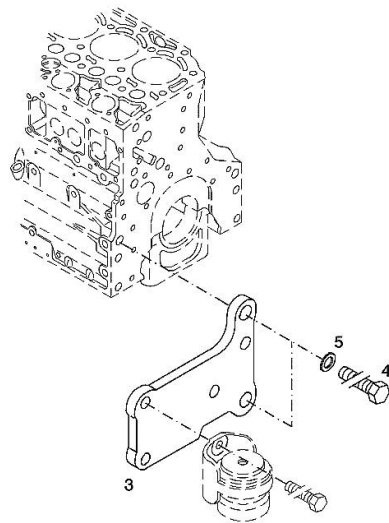
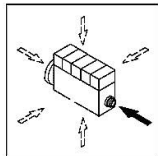
Notes:

[IRON 130 DCR -> 20001]

Engine serial number:

10795289 10795291 10796871 10796876 10805811 10805812 10805814 10805815 10807075 10823592 10834133
 10834135 10839691 10839693 10839699 10839701 10840758 10840760 10840768 10843208 10844579 10844589
 10847630 10847641 10848578 10855584 10855590 10855593 10861541 10863191 10863195 10868889 10868891
 10868892 10868895 10868896 10868897 10868898 10891197 10908969 10914551 10918624 10919466 10920297
 10920298 10926970 10926971 10935304 10935307 10963644 10967763 10967765 10967766 10967767 10967769
 10967770 10967771 10967772 10972431 10977142 10977146 10981509 10981513 10981514 10981516 10981518
 10982730 11013237 11292392 11292393 11292394 11296538 11296541

003 ©



3	04288660	1	support
4	01148261	2	screw ISO 4017 -M16X40-10.9-ZNAL-A
5	01181400	2	washer H 2308 -18X25X1,5-A4C

<https://www.ebooklibonline.com>

Hello dear friend!

Thank you very much for reading.

Enter the link into your browser.

The full manual is available for immediate download.

<https://www.ebooklibonline.com>

Section: B0 - ENGINE

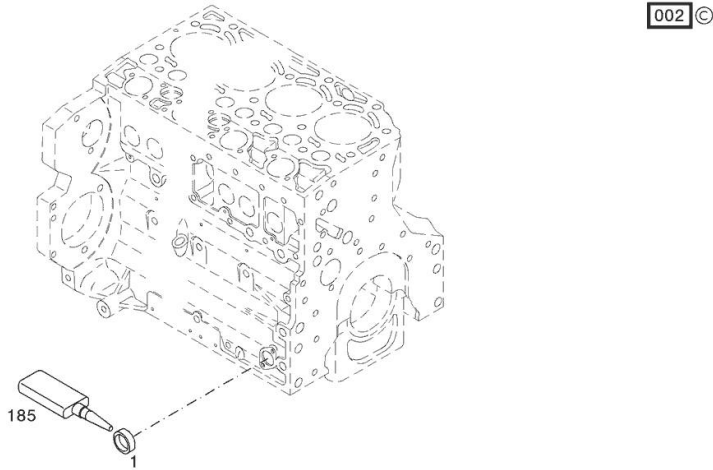
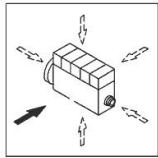
PLUG

Fig.	P/n	QTY	Name
------	-----	-----	------

Notes:

[IRON 130 DCR -> 20001]

1	01148031	1	plug DIN 443 -A36-ZNPHR
185	01319911	1	sealing compound ml. 50



Section: B0 - ENGINE

PISTON COOL.NOZZLE

Fig.	P/n	QTY	Name
------	-----	-----	------

Notes:

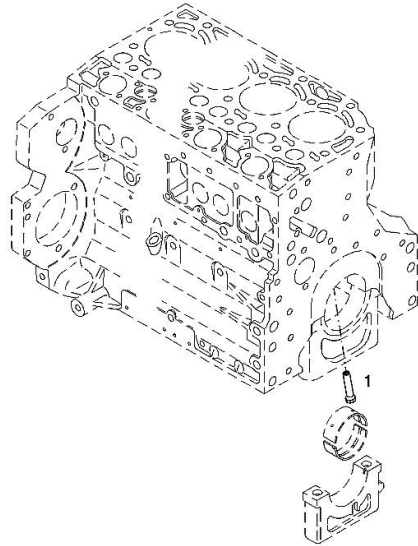
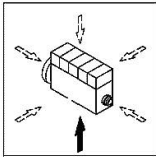
[IRON 130 DCR -> 20001]

Engine serial number:

10795289 10795291 10796871 10796876 10805811 10805812 10805814 10805815 10807075 10823592 10834133
 10834135 10839691 10839693 10839699 10839701 10840758 10840760 10840768 10843208 10844579 10844589
 10847630 10847641 10848578 10855584 10855590 10855593 10861541 10863191 10863195 10868889 10868891
 10868892 10868895 10868896 10868897 10868898 10891197 10908969 10914551 10918624 10919466 10920297
 10920298 10926970 10926971 10935304 10935307 10963644 10967763 10967765 10967766 10967767 10967769
 10967770 10967771 10967772 10972431 10977142 10977146 10981509 10981513 10981514 10981516 10981518
 10982730 11013237 11292392 11292393 11292394 11296538 11296541

001 ©

1	04207521	1	sprayers
---	----------	---	----------



Section: B0 - ENGINE
KURBELGEHAEUSE

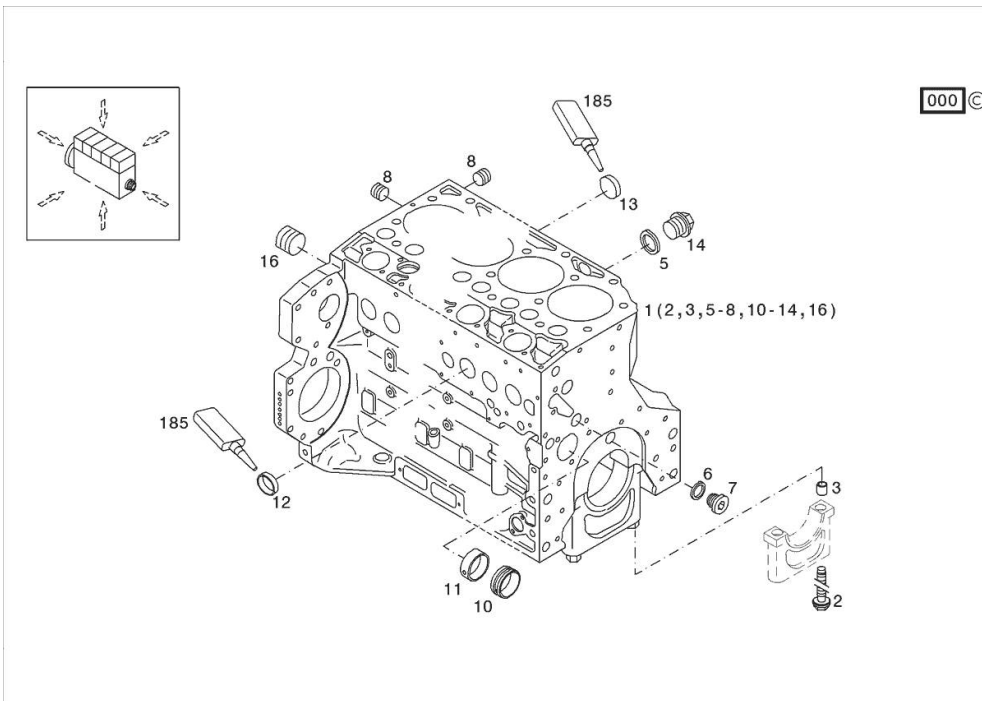
Fig.	P/n	QTY	Name
------	-----	-----	------

Notes:

[IRON 130 DCR -> 20001]

Engine serial number:

10795289 10795291 10796871 10796876 10805811 10805812 10805814 10805815 10807075 10823592 10834133
 10834135 10839691 10839693 10839699 10839701 10840758 10840760 10840768 10843208 10844579 10844589
 10847630 10847641 10848578 10855584 10855590 10855593 10861541 10863191 10863195 10868889 10868891
 10868892 10868895 10868896 10868897 10868898 10891197 10908969 10914551 10918624 10919466 10920297
 10920298 10926970 10926971 10935304 10935307 10963644 10967763 10967765 10967766 10967767 10967769
 10967770 10967771 10967772 10972431 10977142 10977146 10981509 10981513 10981514 10981516 10981518
 10982730 11013237



185	01319910	1	guard
1	04296586	1	crankcase kpl. MIT POS... WITH ITEM... (2,3,5-8,10-14,16)
2	04254240	14	screw 50 Nm , 90° , 90°
3	04160764	14	bushing
5	01118693	2	gasket 14x20 DIN 7603 -A14X20-CU
6	01101342	1	oil seal DIN 7603 -D22X27-CU
7	04292706	1	plug 80 Nm
8	01182031	2	screw 35 Nm H 2812 -906-M14X1,5-ST-A3C-LOCTITE506
10	04251884	6	plug
11	04250086	1	ring
12	01148032	9	cover DIN 443 -A45-ZNPHR
13	01148031	6	plug DIN 443 -A36-ZNPHR
14	01100940	2	screw 35 Nm DIN 7604 -AM14X1,5-ST-A4C
16	04226536	1	bottom 30 Nm

FILLER CAP

Fig.	P/n	QTY	Name
------	-----	-----	------

Notes:

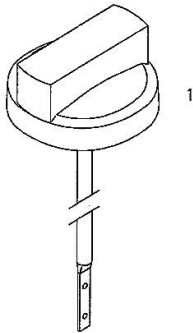
[IRON 130 DCR -> 20001]

Engine serial number:

10795289 10795291 10796871 10796876 10805811 10805812 10805814 10805815 10807075 10823592 10834133
 10834135 10839691 10839693 10839699 10839701 10840758 10840760 10840768 10843208 10844579 10844589
 10847630 10847641 10848578 10855584 10855590 10855593 10861541 10863191 10863195 10868889 10868891
 10868892 10868895 10868896 10868897 10868898 10891197 10908969 10914551 10918624 10919466 10920297
 10920298 10926970 10926971 10935304 10935307 10963644 10967763 10967765 10967766 10967767 10967769
 10967770 10967771 10967772 10972431 10977142 10977146 10981509 10981513 10981514 10981516 10981518
 10982730 11013237 11292392 11292393 11292394 11296538 11296541

000

1	01180341	1	plug H 2875 -B2-OL40-166X4X145X15
---	----------	---	--------------------------------------

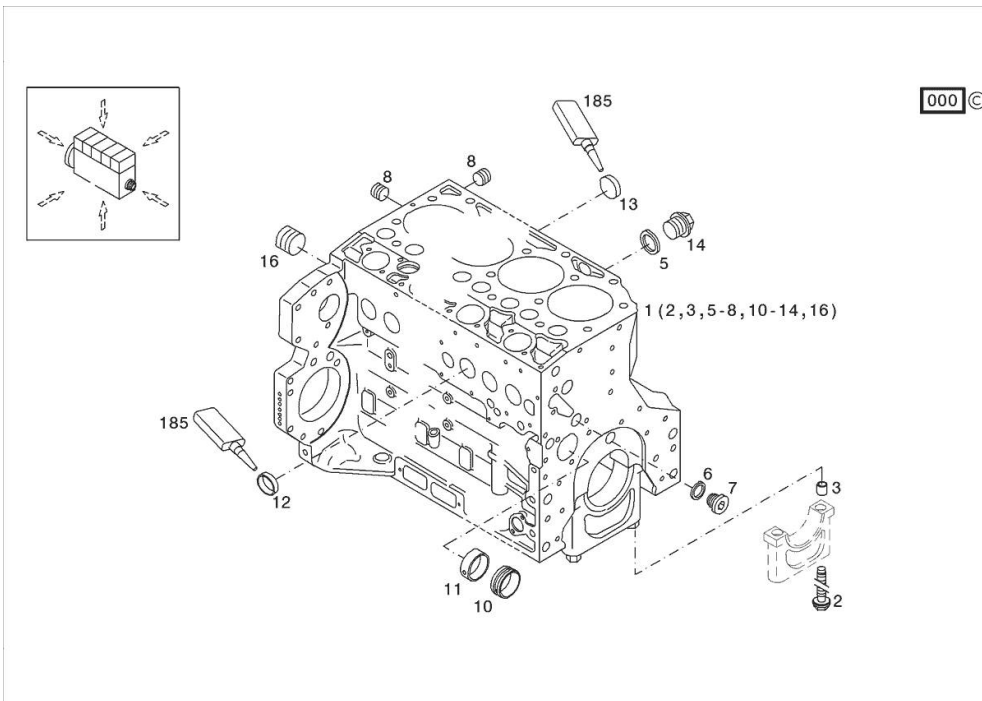


Section: B0 - ENGINE
KURBELGEHAEUSE

Fig.	P/n	QTY	Name
------	-----	-----	------

Notes:
 [IRON 130 DCR -> 20001]

Engine serial number:
 11292392 11292393 11292394 11296538 11296541



185	01319910	1	guard
1	04506856	1	crankcase MIT POS.... (2,3,5-8,10-14,16)
2	04254240	14	screw 50 Nm , 90° , 90°
3	04160764	14	bushing
5	01118693	2	gasket 14x20 DIN 7603 -A14X20-CU
6	01101342	1	oil seal DIN 7603 -D22X27-CU
7	04292706	1	plug 80 Nm
8	01182031	2	screw 35 Nm H 2812 -906-M14X1,5-ST-A3C-LOCTITE506
10	04251884	6	plug
11	04250086	1	ring
12	01148032	9	cover DIN 443 -A45-ZNPHR
13	01148031	6	plug DIN 443 -A36-ZNPHR
14	01100940	2	screw 35 Nm DIN 7604 -AM14X1,5-ST-A4C
16	04226536	1	bottom 30 Nm

Section: B0 - ENGINE

FLANGE

Fig.	P/n	QTY	Name
------	-----	-----	------

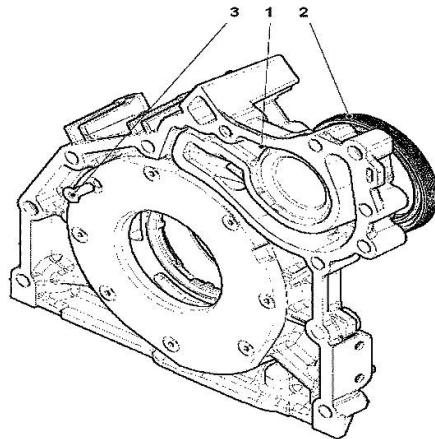
Notes:

[IRON 130 DCR -> 20001]

Engine serial number:

11292392 11292393 11292394 11296538 11296541

1	04502445	1	oil pump WITH POS.... (2,3)
2	04502202	1	special oil seal
3	01133718	8	screw 8.5 Nm DIN 7991 -M6X16-8.8-A4C



000

CLOSING COMPONENTS

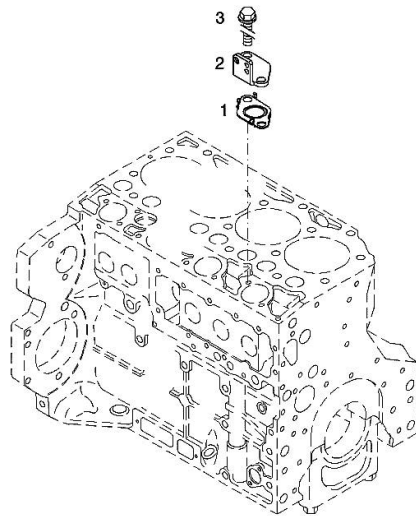
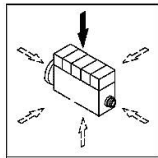
Fig.	P/n	QTY	Name
------	-----	-----	------

Notes:

[IRON 130 DCR -> 20001]

Engine serial number:

10795289 10795291 10796871 10796876 10805811 10805812 10805814 10805815 10807075 10823592 10834133
 10834135 10839691 10839693 10839699 10839701 10840758 10840760 10840768 10843208 10844579 10844589
 10847630 10847641 10848578 10855584 10855590 10855593 10861541 10863191 10863195 10868889 10868891
 10868892 10868895 10868896 10868897 10868898 10891197 10908969 10914551 10918624 10919466 10920297
 10920298 10926970 10926971 10935304 10935307 10963644 10967763 10967765 10967766 10967767 10967769
 10967770 10967771 10967772 10972431 10977142 10977146 10981509 10981513 10981514 10981516 10981518
 10982730 11013237 11292392 11292393 11292394 11296538 11296541



1	04292757	1	gasket
2	04292113	1	bracket
3	01181436	2	screw
			EN 1662 -F-M8X16-LG2,5-10.9-ZNAL-A

OIL RETURN

Fig.	P/n	QTY	Name
------	-----	-----	------

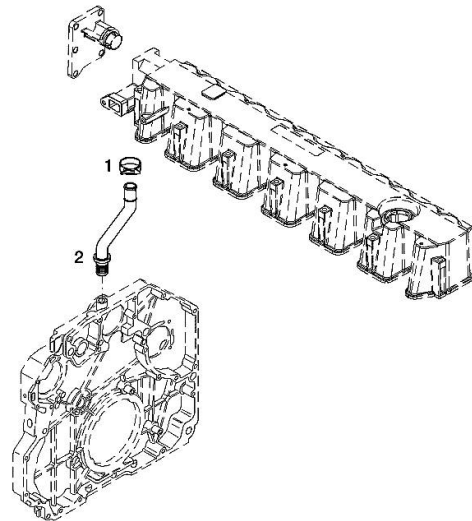
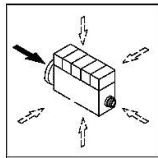
Notes:

[IRON 130 DCR -> 20001]

Engine serial number:

10795289 10795291 10796871 10796876 10805811 10805812 10805814 10805815 10807075 10823592 10834133
 10834135 10839691 10839693 10839699 10839701 10840758 10840760 10840768 10843208 10844579 10844589
 10847630 10847641 10848578 10855584 10855590 10855593 10861541 10863191 10863195 10868889 10868891
 10868892 10868895 10868896 10868897 10868898 10891197 10908969 10914551 10918624 10919466 10920297
 10920298 10926970 10926971 10935304 10935307 10963644 10967763 10967765 10967766 10967767 10967769
 10967770 10967771 10967772 10972431 10977142 10977146 10981509 10981513 10981514 10981516 10981518
 10982730 11013237 11292392 11292393 11292394 11296538 11296541

001 ©



1	01148669	1	ring DIN 3021 -A-14X12
2	04289223	1	pipe fitting

Section: B0 - ENGINE

FLANGE

Fig.	P/n	QTY	Name
------	-----	-----	------

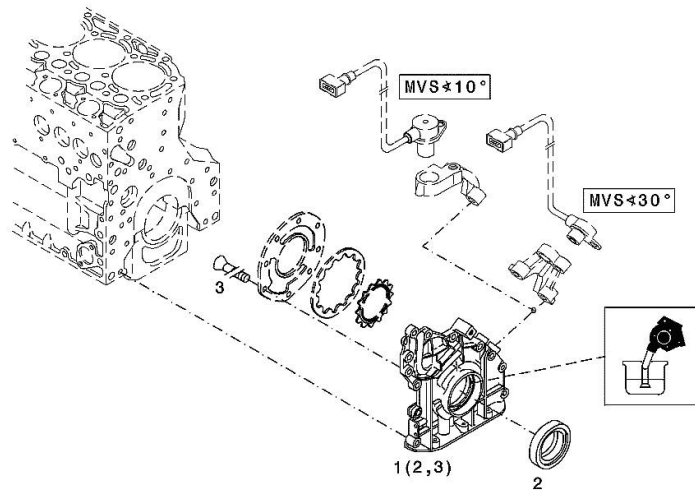
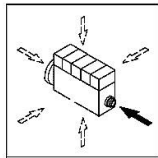
Notes:

[IRON 130 DCR -> 20001]

Engine serial number:

10795289 10795291 10796871 10796876 10805811 10805812 10805814 10805815 10807075 10823592 10834133
 10834135 10839691 10839693 10839699 10839701 10840758 10840760 10840768 10843208 10844579 10844589
 10847630 10847641 10848578 10855584 10855590 10855593 10861541 10863191 10863195 10868889 10868891
 10868892 10868895 10868896 10868897 10868898 10891197 10908969 10914551 10918624 10919466 10920297
 10920298 10926970 10926971 10935304 10935307 10963644 10967763 10967765 10967766 10967767 10967769
 10967770 10967771 10967772 10972431 10977142 10977146 10981509 10981513 10981514 10981516 10981518
 10982730 11013237

001 ©



1	04258382	1	oil pump kpl. WITH POS.... (2,3)
2	04253372	1	oil seal
3	01133718	1	screw DIN 7991 -M6X16-8.8-A4C

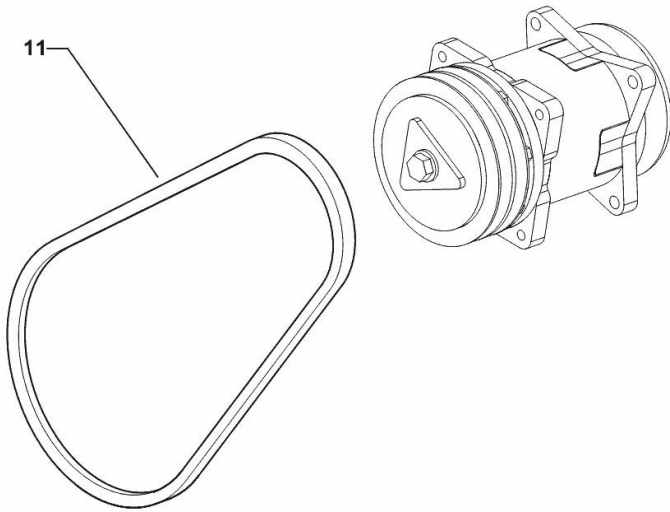
V-BELT - FOR MODELS WITH COMPRESSOR

Fig.	P/n	QTY	Name
------	-----	-----	------

Notes:

[IRON 130 DCR -> 20001]

11	04452801	1	belt AV 13x1000 mm
----	----------	---	--------------------



9_J6386_22_0-C-001



Suggest:

For more complete manuals. Please go to the home page.

<https://www.ebooklibonline.com>

If the above button click is invalid. Please download this document first, and then click the above link to download the complete manual.

Thank you so much for reading

FASTENINGS

Fig.	P/n	QTY	Name
------	-----	-----	------

Notes:

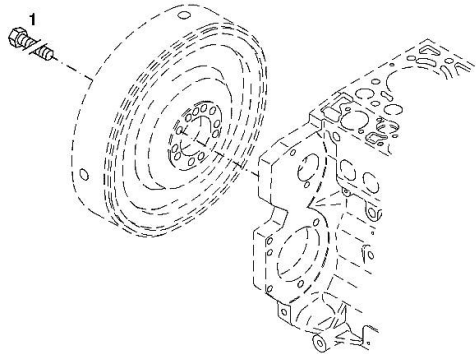
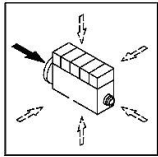
[IRON 130 DCR -> 20001]

Engine serial number:

10795289 10795291 10796871 10796876 10805811 10805812 10805814 10805815 10807075 10823592 10834133
 10834135 10839691 10839693 10839699 10839701 10840758 10840760 10840768 10843208 10844579 10844589
 10847630 10847641 10848578 10855584 10855590 10855593 10861541 10863191 10863195 10868889 10868891
 10868892 10868895 10868896 10868897 10868898 10891197 10908969 10914551 10918624 10919466 10920297
 10920298 10926970 10926971 10935304 10935307 10963644 10967763 10967765 10967766 10967767 10967769
 10967770 10967771 10967772 10972431 10977142 10977146 10981509 10981513 10981514 10981516 10981518
 10982730 11013237 11292392 11292393 11292394 11296538 11296541

001 ©

1	04204128	10	screw m 10 p.1x35 M10X1X35
---	----------	----	-------------------------------



Section: B0 - ENGINE

FASTENINGS

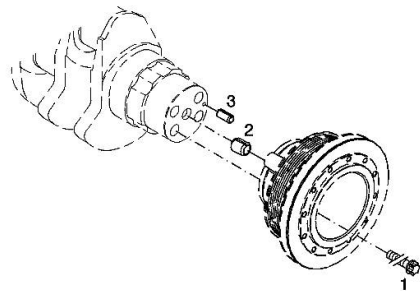
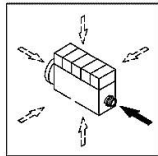
Fig.	P/n	QTY	Name
------	-----	-----	------

Notes:

[IRON 130 DCR -> 20001]

Engine serial number:

10795289 10795291 10796871 10796876 10805811 10805812 10805814 10805815 10807075 10823592 10834133
 10834135 10839691 10839693 10839699 10839701 10840758 10840760 10840768 10843208 10844579 10844589
 10847630 10847641 10848578 10855584 10855590 10855593 10861541 10863191 10863195 10868889 10868891
 10868892 10868895 10868896 10868897 10868898 10891197 10908969 10914551 10918624 10919466 10920297
 10920298 10926970 10926971 10935304 10935307 10963644 10967763 10967765 10967766 10967767 10967769
 10967770 10967771 10967772 10972431 10977142 10977146 10981509 10981513 10981514 10981516 10981518
 10982730 11013237 11292392 11292393 11292394 11296538 11296541



1	04253406	4	screw
2	01181404	1	bush H 2341 -B18X24-FE/ZN12C*
3	01125637	1	pin ISO 8752 -5X14-ST

<https://www.ebooklibonline.com>

Hello dear friend!

Thank you very much for reading.

Enter the link into your browser.

The full manual is available for immediate download.

<https://www.ebooklibonline.com>