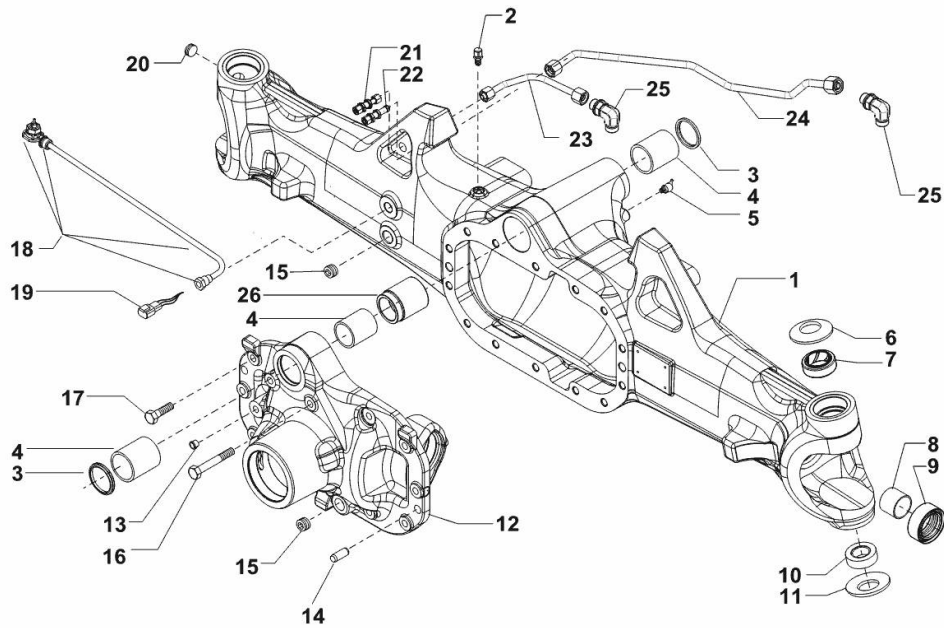


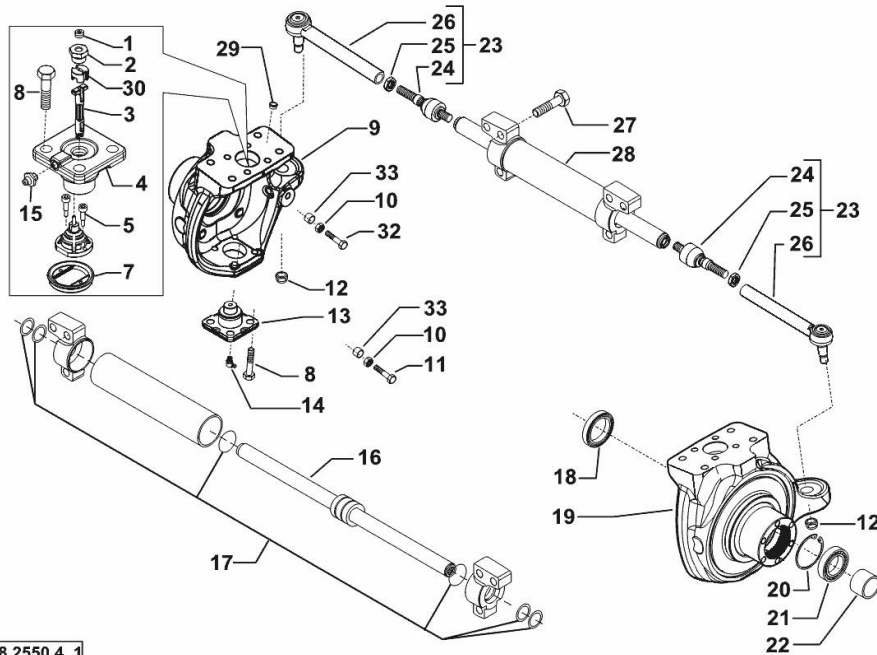
**DRIVEN FRONT AXLE - 380999**



0.018.2550.4\_0

| Fig. | P/n          | QTY | Name                    |
|------|--------------|-----|-------------------------|
| 1    | 0.900.1416.2 | 1   | front axle              |
| 2    | 0.900.0079.8 | 1   | breather m 10 p.1       |
| 3    | 0.900.0079.9 | 2   | circlip                 |
| 4    | 0.900.0080.0 | 3   | bushing                 |
| 5    | 0.900.0080.1 | 1   | grease gun m 8 p.1, 45° |
| 6    | 0.900.0080.2 | 2   | spring                  |
| 7    | 0.900.0080.3 | 2   | bushing                 |
| 8    | 0.900.0080.4 | 2   | bushing                 |
| 9    | 0.900.0912.6 | 2   | oil seal 40x65x27,5     |
| 10   | 0.900.1416.3 | 2   | bearing                 |
| 11   | 0.900.0080.7 | 2   | spring                  |
| 12   | 0.900.1536.6 | 1   | flange                  |
| 13   | 0.900.0893.4 | 1   | plug D1                 |
| 14   | 0.900.0081.0 | 2   | pin Ø 15x45             |
| 15   | 0.900.0081.1 | 2   | plug m 24 p.1.5         |
| 16   | 0.900.0081.2 | 2   | screw m 14x75           |
| 17   | 0.900.0081.3 | 12  | screw m14 x 40          |
| 18   | 0.900.0504.8 | 1   | sensor - KIT            |
| 19   | 0.900.0081.5 | 1   | connector               |
| 20   | 0.900.0081.6 | 1   | plug m 26 p.1.5         |
| 21   | 0.900.0081.7 | 1   | pipe fitting            |
| 22   | 0.900.0081.8 | 1   | pipe fitting            |
| 23   | 04454985     | 1   | tube                    |
| 24   | 04454984     | 1   | tube                    |
| 25   | 0.900.0082.1 | 2   | pipe fitting            |
| 26   | 0.900.0082.2 | 1   | bushing                 |

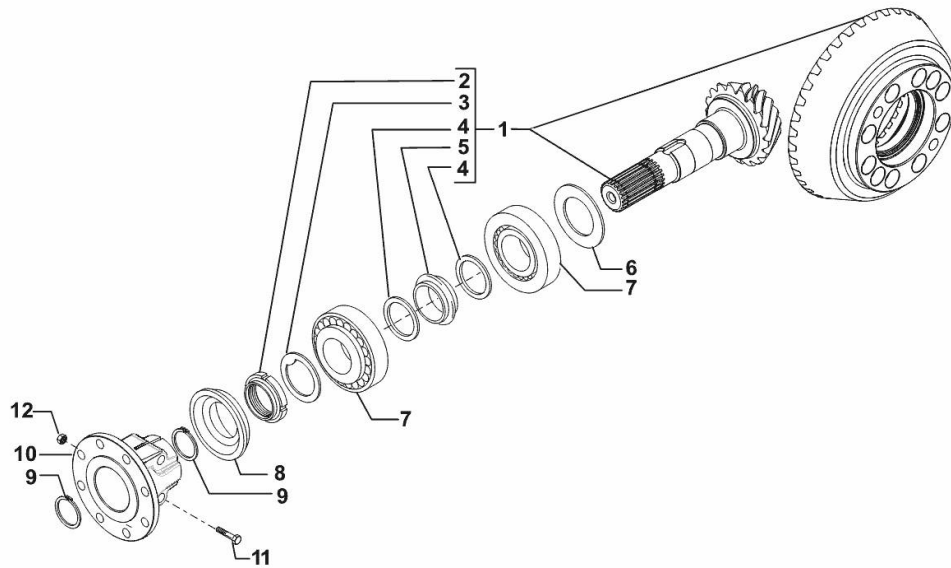
**STEERING CYLINDER - 380999**



0.018.2550.4\_1

| Fig. | P/n          | QTY | Name                    |
|------|--------------|-----|-------------------------|
| 1    | 0.900.0894.3 | 2   | plug                    |
| 2    | 0.900.0082.4 | 2   | screw m 20 p.1.5        |
| 3    | 0.900.0965.7 | 1   | small pin               |
| 4    | 0.900.0502.5 | 2   | pin                     |
| 5    | 0.900.0082.7 | 2   | screw m 4 x 10          |
| 7    | 0.900.0865.2 | 1   | cover                   |
| 8    | 0.900.0082.9 | 16  | screw m 14 x 35         |
| 9    | 0.900.1416.4 | 1   | fork sx/lh/li           |
| 10   | 0.900.0105.8 | 4   | nut m 14                |
| 11   | 0.900.1536.7 | 2   | screw                   |
| 12   | 0.900.0083.3 | 2   | nut m 20 p.1            |
| 13   | 0.900.0083.4 | 2   | pin                     |
| 14   | 0.900.0083.5 | 2   | grease gun m 6 p.1, 45° |
| 15   | 0.900.0542.4 | 1   | grease gun m 6 p.1      |
| 16   | 0.900.0083.7 | 1   | stem                    |
| 17   | 0.900.0083.8 | 1   | gasket set              |
| 18   | 0.900.0083.9 | 2   | oil seal 56x80x13/14,5  |
| 19   | 0.900.0084.0 | 1   | cap dx/rh/re            |
| 20   | 0.900.0084.1 | 2   | circlip                 |
| 21   | 0.900.0084.2 | 2   | bearing                 |
| 22   | 0.900.0084.3 | 2   | spacer                  |
| 23   | 0.900.1416.5 | 2   | rod                     |
| 24   | 0.900.0647.3 | 2   | joint                   |
| 25   | 0.900.0084.6 | 2   | nut m 24x10             |
| 26   | 0.900.0644.8 | 2   | rod                     |
| 27   | 0.900.0791.2 | 6   | screw m18x70            |
| 28   | 0.900.0527.5 | 2   | jack                    |
| 29   | 0.900.0085.0 | 8   | plug                    |
| 30   | 0.900.0961.2 | 1   | small block             |
| 31   | 0.900.0112.6 | 1   | breather m10 p.1        |
| 32   | 0.900.0948.6 | 2   | screw m 14              |
| 33   | 0.900.0948.7 | 4   | bush                    |

**BEVEL WHEEL GEAR - 380999**



| Fig. | P/n          | QTY | Name                    |
|------|--------------|-----|-------------------------|
| 1    | 0.900.0085.4 | 1   | bevel drive Z = 14/37   |
| 2    | 0.900.0085.5 | 1   | ring nut m 40 p.1.5     |
| 3    | 0.900.0085.6 | 1   | washer                  |
| 4    | 0.900.0085.7 | 2   | washer                  |
| 5    | 0.900.0085.8 | 1   | spacer                  |
| 6    | 0.900.0085.9 |     | shim mm 2.50            |
| 6    | 0.900.0086.0 |     | shim mm 2.60            |
| 6    | 0.900.0086.1 |     | shim mm 2.70            |
| 6    | 0.900.0086.2 |     | shim mm 2.80            |
| 6    | 0.900.0086.3 |     | shim mm 2.90            |
| 6    | 0.900.0086.4 |     | shim mm 3.00            |
| 6    | 0.900.0086.5 |     | shim mm 3.10            |
| 6    | 0.900.0086.6 |     | shim mm 3.20            |
| 6    | 0.900.0086.7 |     | shim mm 3.30            |
| 6    | 0.900.0086.8 |     | shim mm 3.40            |
| 7    | 0.900.0086.9 | 2   | bearing                 |
| 8    | 0.900.0087.0 | 1   | oil seal 35x92/98x13/27 |
| 9    | 0.900.0087.1 | 2   | circlip d = 35          |
| 10   | 0.900.0965.8 | 1   | flange                  |
| 11   | 0.900.0960.9 | 2   | screw                   |
| 12   | 0.900.0961.0 | 2   | nut                     |

0.018.2550.4\_2

**<https://www.ebooklibonline.com>**

Hello dear friend!

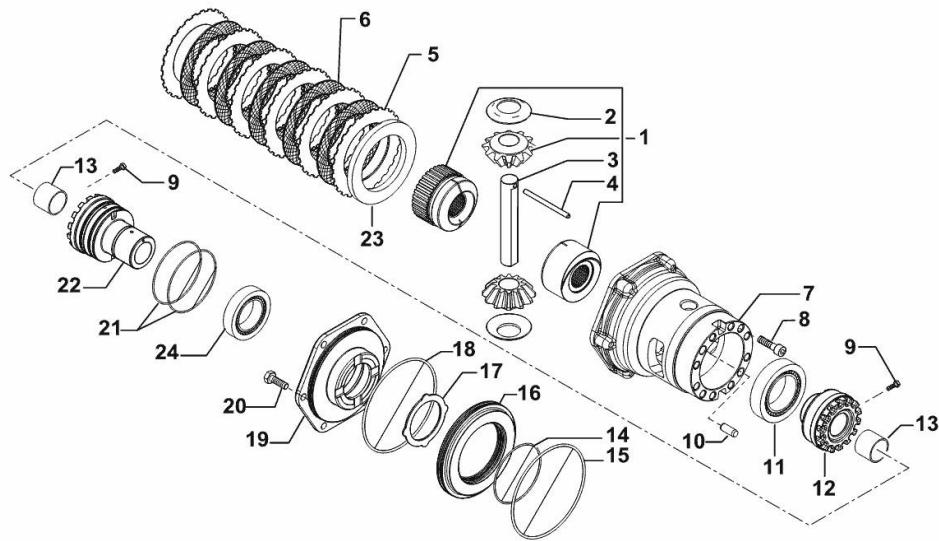
Thank you very much for reading.

Enter the link into your browser.

The full manual is available for immediate download.

**<https://www.ebooklibonline.com>**

**DIFFERENTIAL - 380999**

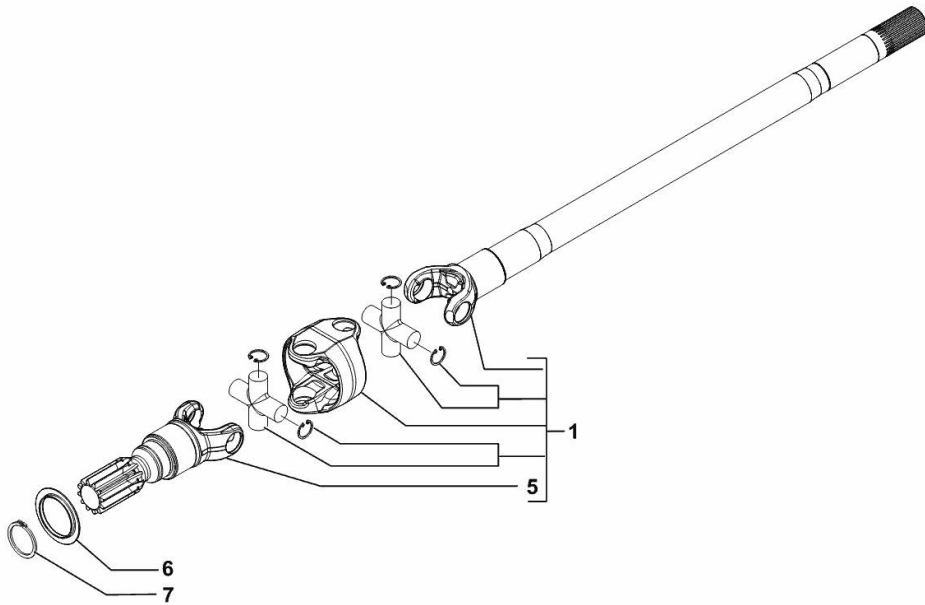


| Fig. | P/n          | QTY | Name                    |
|------|--------------|-----|-------------------------|
| 1    | 0.900.0966.2 | 1   | differential lock - KIT |
| 2    | 0.900.0087.4 | 2   | slewing ring            |
| 3    | 0.900.0087.5 | 1   | pin                     |
| 4    | 0.900.0087.6 | 1   | pin D7x91               |
| 5    | 0.900.0087.7 | 6   | disc                    |
| 6    | 0.900.0087.8 | 5   | disc                    |
| 7    | 0.900.0087.9 | 1   | differential carrier    |
| 8    | 0.900.0088.0 | 10  | screw m 12 x 35         |
| 9    | 0.900.0088.1 | 2   | screw m 6 x 25          |
| 10   | 0.900.0088.3 | 2   | pin Ø 12 x 28           |
| 11   | 0.900.0088.4 | 2   | bearing                 |
| 12   | 0.900.0088.5 | 1   | ring nut M94x1.5        |
| 12   | 0.900.0088.6 | 2   | bushing                 |
| 14   | 0.900.0088.7 | 1   | oil seal                |
| 15   | 0.900.0088.8 | 1   | oil seal                |
| 16   | 0.900.0088.9 | 1   | piston                  |
| 17   | 0.900.0089.0 | 1   | disc                    |
| 18   | 0.900.0089.1 | 1   | oil seal                |
| 19   | 0.900.0952.0 | 1   | cover - KIT             |
| 20   | 0.900.0089.3 | 6   | screw m 10 x 35         |
| 21   | 0.900.0089.8 | 2   | oil seal                |
| 22   | 0.900.0089.9 | 1   | ring nut m 94 p.1.5     |
| 23   | 0.900.0090.0 | 1   | disc                    |
| 24   | 0.900.0090.1 | 1   | bearing                 |

0.018.2550.4\_3

**DOUBLE COUPLING - 380999**

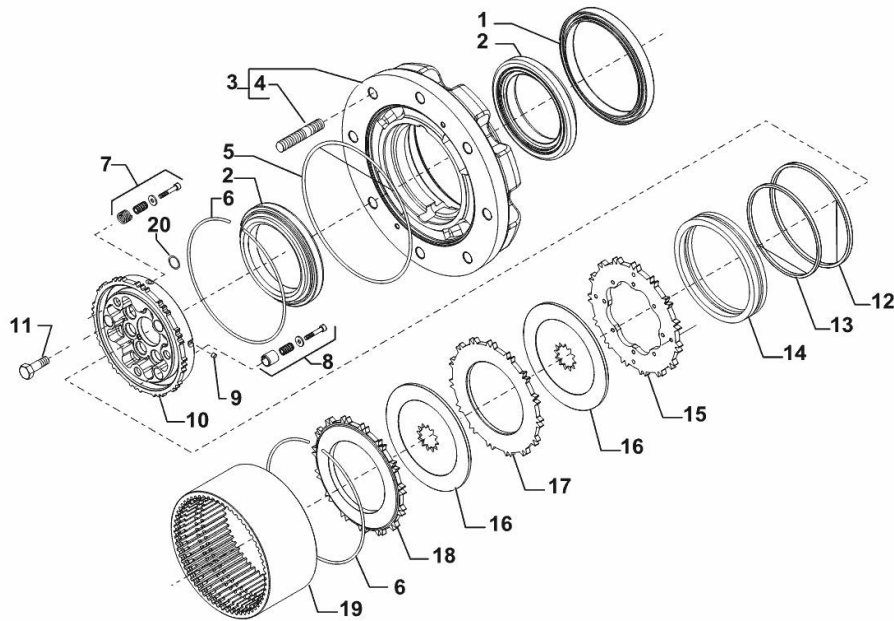
| Fig. | P/n          | QTY | Name           |
|------|--------------|-----|----------------|
| 1    | 0.900.1416.8 | 1   | joint sx/lh/li |
| 1    | 0.900.1536.8 | 1   | joint dx/rh/re |
| 5    | 0.900.0090.8 | 2   | fork           |
| 6    | 0.900.0090.9 | 2   | cover          |
| 7    | 0.900.0091.0 | 2   | circlip        |



0.018.2550.4\_4

**WHEEL HUB - WITH FRONT BRAKES - 380999**

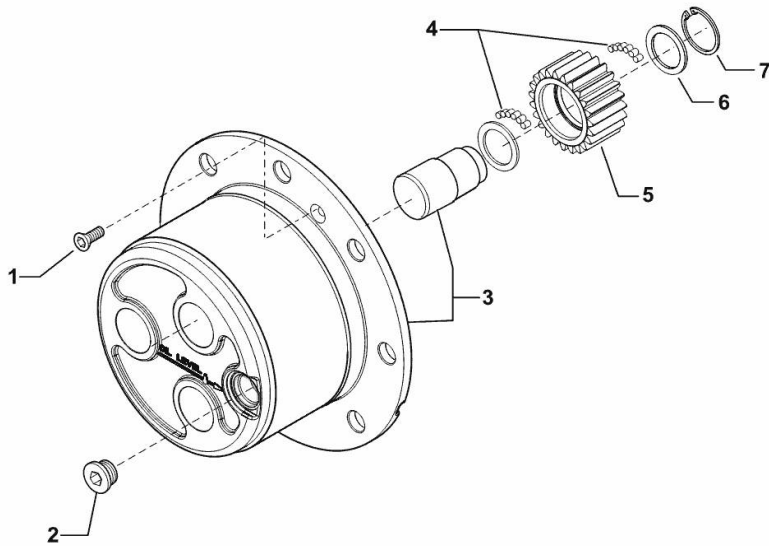
| Fig. | P/n          | QTY | Name                  |
|------|--------------|-----|-----------------------|
| 1    | 0.900.0091.1 | 2   | oil seal 155x180x14,5 |
| 2    | 0.900.1360.6 | 4   | bearing               |
| 3    | 0.900.1416.9 | 2   | wheel hub             |
| 4    | 0.900.0091.4 | 16  | stud bolt             |
| 5    | 0.900.1417.0 | 2   | oil seal              |
| 6    | 0.900.0091.6 | 4   | circlip               |
| 7    | 0.900.0116.9 | 2   | screw - KIT           |
| 8    | 0.900.0116.8 | 2   | screw - KIT           |
| 9    | 0.900.0117.0 | 4   | rivet                 |
| 10   | 0.900.1536.9 | 2   | hub                   |
| 11   | 0.900.0091.8 | 16  | screw m 12 x 45       |
| 12   | 0.900.1417.2 | 2   | oil seal              |
| 13   | 0.900.1417.3 | 2   | oil seal              |
| 14   | 0.900.0116.4 | 2   | piston                |
| 15   | 0.900.0116.3 | 2   | brake disc            |
| 16   | 0.900.0116.1 | 4   | brake disc            |
| 17   | 0.900.0116.2 | 2   | brake disc            |
| 18   | 0.900.0116.0 | 2   | clutch plate          |
| 19   | 0.900.1417.6 | 2   | crown wheel Z = 60    |
| 20   | 0.900.0112.8 | 2   | ring                  |



0.018.2550.4\_5

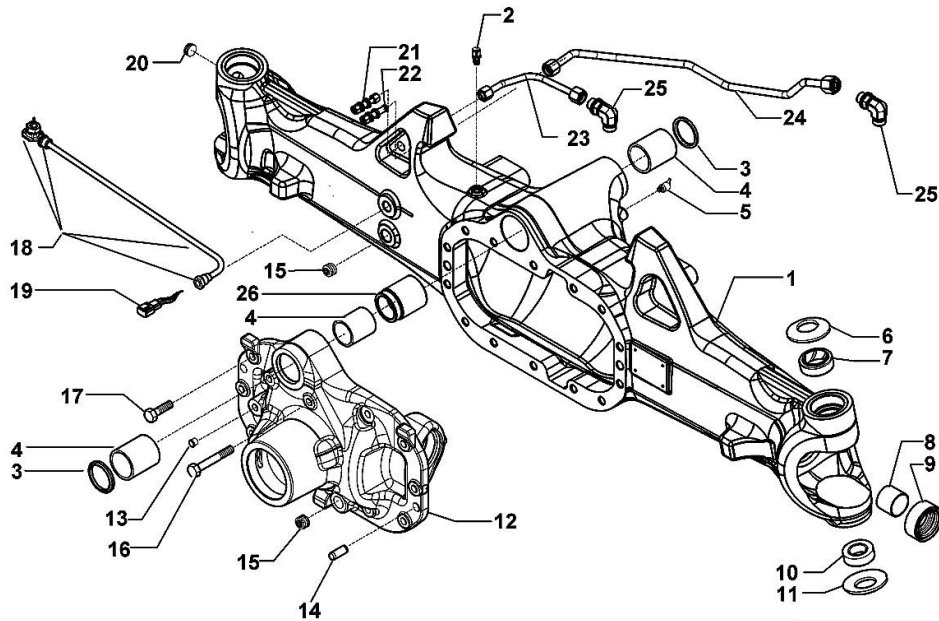
**PLANETARY GEAR - 380999**

| Fig. | P/n          | QTY | Name                  |
|------|--------------|-----|-----------------------|
| 1    | 0.900.0092.0 | 4   | screw m 8 p.1.25 x 20 |
| 2    | 0.900.0092.1 | 2   | plug m 30 p.2         |
| 3    | 0.900.1417.8 | 2   | spider                |
| 4    | 0.900.0092.3 | 34  | roller                |
| 5    | 0.900.0092.4 | 6   | gear Z = 23           |
| 6    | 0.900.0092.5 | 6   | slewing ring          |
| 7    | 0.900.0092.6 | 6   | circlip               |



0.018.2550.4\_6

**DRIVEN FRONT AXLE - 380999**

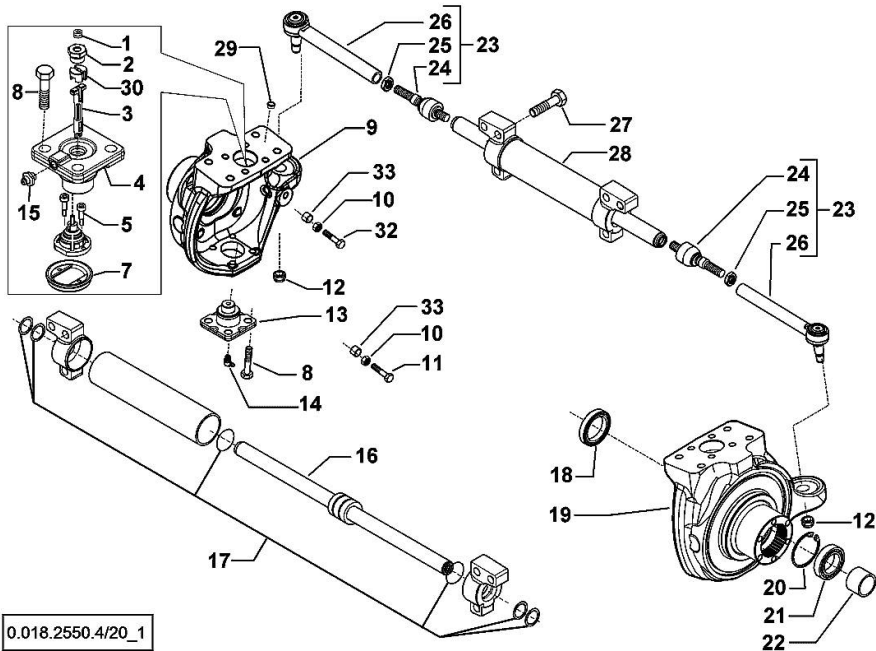


0.018.2550.4/20\_0

| Fig. | P/n          | QTY | Name                    |
|------|--------------|-----|-------------------------|
| 1    | 0.900.1416.2 | 1   | front axle              |
| 2    | 0.900.0079.8 | 1   | breather m 10 p.1       |
| 3    | 0.900.0079.9 | 2   | circlip                 |
| 4    | 0.900.0080.0 | 3   | bushing                 |
| 5    | 0.900.0080.1 | 1   | grease gun m 8 p.1, 45° |
| 6    | 0.900.0080.2 | 2   | spring                  |
| 7    | 0.900.0080.3 | 2   | bushing                 |
| 8    | 0.900.0080.4 | 2   | bushing                 |
| 9    | 0.900.0912.6 | 2   | oil seal 40x65x27,5     |
| 10   | 0.900.1416.3 | 2   | bearing                 |
| 11   | 0.900.0080.7 | 2   | spring                  |
| 12   | 0.900.1536.6 | 1   | flange                  |
| 13   | 0.900.0893.4 | 1   | plug D1                 |
| 14   | 0.900.0081.0 | 2   | pin Ø 15x45             |
| 15   | 0.900.0081.1 | 2   | plug m 24 p.1.5         |
| 16   | 0.900.0081.2 | 2   | screw m 14x75           |
| 17   | 0.900.0081.3 | 12  | screw m14 x 40          |
| 18   | 0.900.0504.8 | 1   | sensor - KIT            |
| 19   | 0.900.0081.5 | 1   | connector               |
| 20   | 0.900.0081.6 | 1   | plug m 26 p.1.5         |
| 21   | 0.900.0081.7 | 1   | pipe fitting            |
| 22   | 0.900.0081.8 | 1   | pipe fitting            |
| 23   | 04454985     | 1   | tube                    |
| 24   | 04454984     | 1   | tube                    |
| 25   | 0.900.0082.1 | 2   | pipe fitting            |
| 26   | 0.900.0082.2 | 1   | bushing                 |

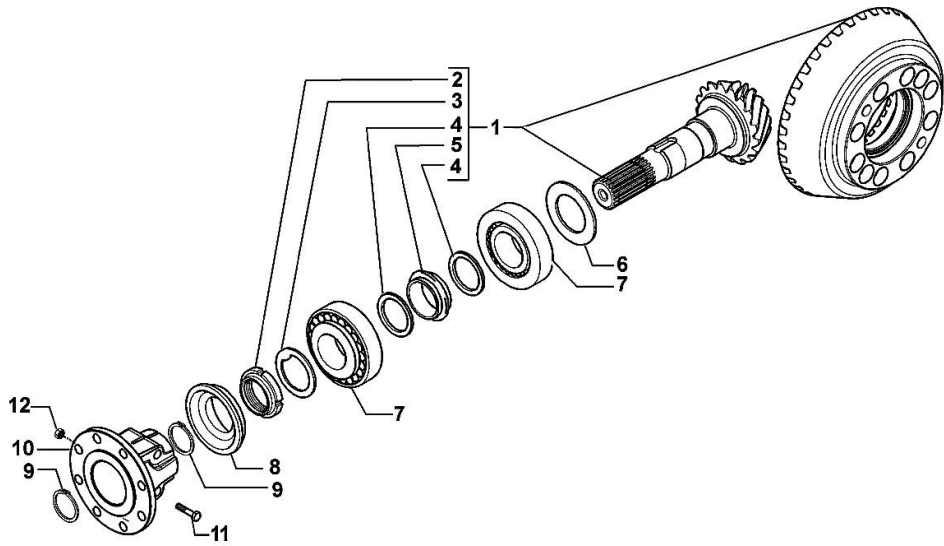
**STEERING CYLINDER - 380999**

| Fig. | P/n          | QTY | Name                    |
|------|--------------|-----|-------------------------|
| 1    | 0.900.0894.3 | 2   | plug                    |
| 2    | 0.900.0082.4 | 2   | screw m 20 p.1.5        |
| 3    | 0.900.0965.7 | 1   | small pin               |
| 4    | 0.900.0502.5 | 2   | pin                     |
| 5    | 0.900.0082.7 | 2   | screw m 4 x 10          |
| 7    | 0.900.0865.2 | 1   | cover                   |
| 8    | 0.900.0082.9 | 16  | screw m 14 x 35         |
| 9    | 0.900.1416.4 | 1   | fork sx/lh/li           |
| 10   | 0.900.0105.8 | 4   | nut m 14                |
| 11   | 0.900.1536.7 | 2   | screw                   |
| 12   | 0.900.0083.3 | 2   | nut m 20 p.1            |
| 13   | 0.900.0083.4 | 2   | pin                     |
| 14   | 0.900.0083.5 | 2   | grease gun m 6 p.1, 45° |
| 15   | 0.900.0542.4 | 1   | grease gun m 6 p.1      |
| 16   | 0.900.1575.6 | 1   | stem                    |
| 17   | 0.900.1575.7 | 1   | gasket set              |
| 18   | 0.900.0083.9 | 2   | oil seal 56x80x13/14,5  |
| 19   | 0.900.0084.0 | 1   | cap dx/rh/re            |
| 20   | 0.900.0084.1 | 2   | circlip                 |
| 21   | 0.900.0084.2 | 2   | bearing                 |
| 22   | 0.900.0084.3 | 2   | spacer                  |
| 23   | 0.900.1416.5 | 2   | rod                     |
| 24   | 0.900.0647.3 | 2   | joint                   |
| 25   | 0.900.0084.6 | 2   | nut m 24x10             |
| 26   | 0.900.0644.8 | 2   | rod                     |
| 27   | 0.900.0791.2 | 6   | screw m18x70            |
| 28   | 0.900.1575.8 | 1   | jack                    |
| 29   | 0.900.0085.0 | 8   | plug                    |
| 30   | 0.900.0961.2 | 1   | small block             |
| 31   | 0.900.0112.6 | 1   | breather m10 p.1        |
| 32   | 0.900.0948.6 | 2   | screw m 14              |
| 33   | 0.900.0948.7 | 4   | bush                    |



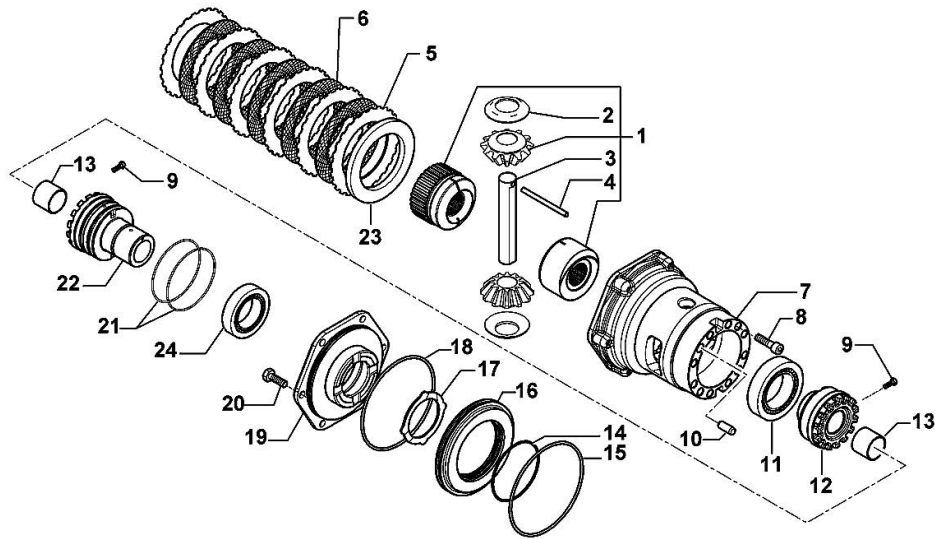
**BEVEL WHEEL GEAR - 380999**

| Fig. | P/n          | QTY | Name                    |
|------|--------------|-----|-------------------------|
| 1    | 0.900.0085.4 | 1   | bevel drive Z = 14/37   |
| 2    | 0.900.0085.5 | 1   | ring nut m 40 p.1.5     |
| 3    | 0.900.0085.6 | 1   | washer                  |
| 4    | 0.900.0085.7 | 2   | washer                  |
| 5    | 0.900.0085.8 | 1   | spacer                  |
| 6    | 0.900.0085.9 |     | shim mm 2.50            |
| 6    | 0.900.0086.0 |     | shim mm 2.60            |
| 6    | 0.900.0086.1 |     | shim mm 2.70            |
| 6    | 0.900.0086.2 |     | shim mm 2.80            |
| 6    | 0.900.0086.3 |     | shim mm 2.90            |
| 6    | 0.900.0086.4 |     | shim mm 3.00            |
| 6    | 0.900.0086.5 |     | shim mm 3.10            |
| 6    | 0.900.0086.6 |     | shim mm 3.20            |
| 6    | 0.900.0086.7 |     | shim mm 3.30            |
| 6    | 0.900.0086.8 |     | shim mm 3.40            |
| 7    | 0.900.0086.9 | 2   | bearing                 |
| 8    | 0.900.0087.0 | 1   | oil seal 35x92/98x13/27 |
| 9    | 0.900.0087.1 | 2   | circlip d = 35          |
| 10   | 0.900.0965.8 | 1   | flange                  |
| 11   | 0.900.0960.9 | 2   | screw                   |
| 12   | 0.900.0961.0 | 2   | nut                     |



0.018.2550.4/20\_2

**DIFFERENTIAL - 380999**

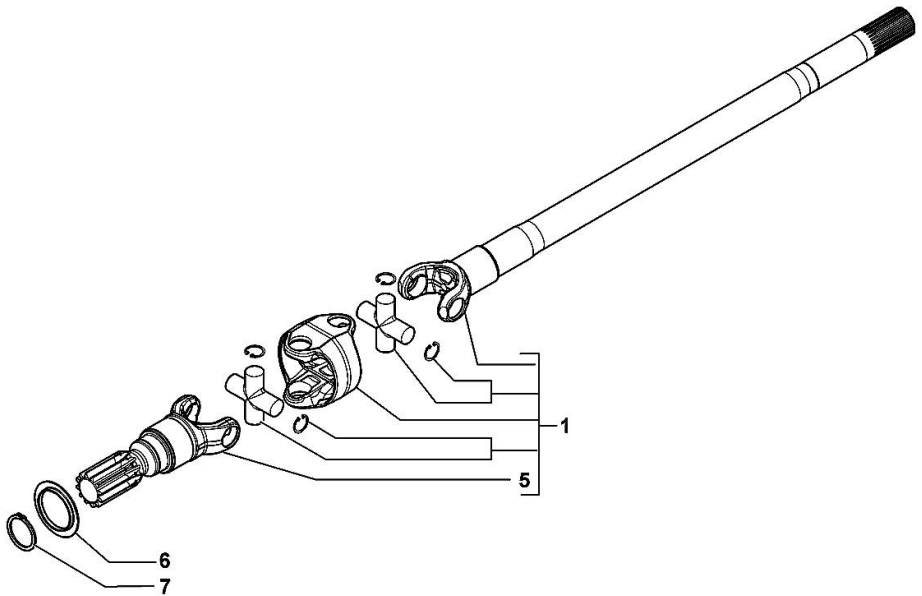


| Fig. | P/n          | QTY | Name                    |
|------|--------------|-----|-------------------------|
| 1    | 0.900.0966.2 | 1   | differential lock - KIT |
| 2    | 0.900.0087.4 | 2   | slewing ring            |
| 3    | 0.900.0087.5 | 1   | pin                     |
| 4    | 0.900.0087.6 | 1   | pin D7x91               |
| 5    | 0.900.0087.7 | 6   | disc                    |
| 6    | 0.900.0087.8 | 5   | disc                    |
| 7    | 0.900.0087.9 | 1   | differential carrier    |
| 8    | 0.900.0088.0 | 10  | screw m 12 x 35         |
| 9    | 0.900.0088.1 | 2   | screw m 6 x 25          |
| 10   | 0.900.0088.3 | 2   | pin Ø 12 x 28           |
| 11   | 0.900.0088.4 | 2   | bearing                 |
| 12   | 0.900.0088.5 | 1   | ring nut M94x1.5        |
| 12   | 0.900.0088.6 | 2   | bushing                 |
| 14   | 0.900.0088.7 | 1   | oil seal                |
| 15   | 0.900.0088.8 | 1   | oil seal                |
| 16   | 0.900.0088.9 | 1   | piston                  |
| 17   | 0.900.0089.0 | 1   | disc                    |
| 18   | 0.900.0089.1 | 1   | oil seal                |
| 19   | 0.900.0952.0 | 1   | cover - KIT             |
| 20   | 0.900.0089.3 | 6   | screw m 10 x 35         |
| 21   | 0.900.0089.8 | 2   | oil seal                |
| 22   | 0.900.0089.9 | 1   | ring nut m 94 p.1.5     |
| 23   | 0.900.0090.0 | 1   | disc                    |
| 24   | 0.900.0090.1 | 1   | bearing                 |

0.018.2550.4/20\_3

**DOUBLE COUPLING - 380999**

| Fig. | P/n          | QTY | Name           |
|------|--------------|-----|----------------|
| 1    | 0.900.1416.8 | 1   | joint sx/lh/li |
| 1    | 0.900.1536.8 | 1   | joint dx/rh/re |
| 5    | 0.900.0090.8 | 2   | fork           |
| 6    | 0.900.0090.9 | 2   | cover          |
| 7    | 0.900.0091.0 | 2   | circlip        |



0.018.2550.4\_10\_4



**Suggest:**

**For more complete manuals. Please go to the home page.**

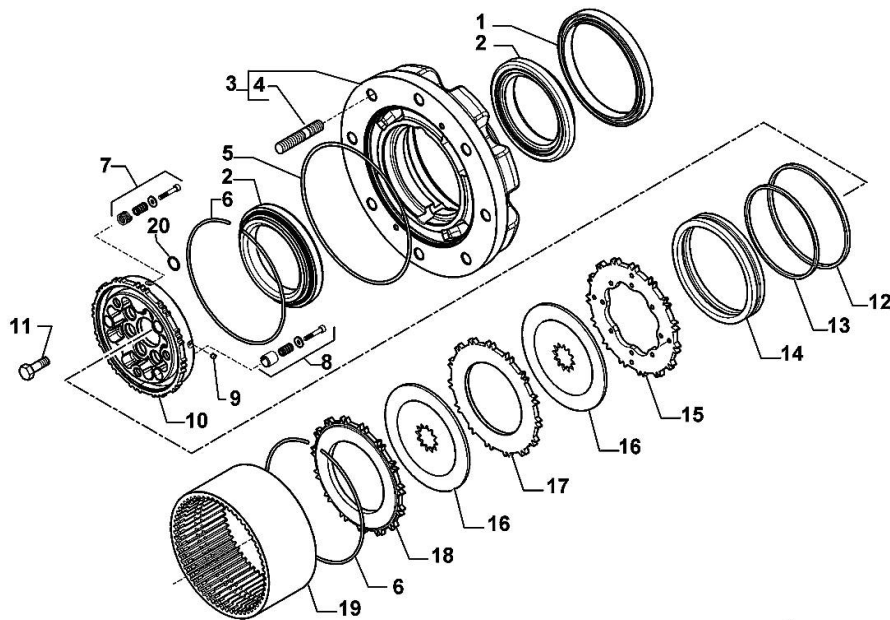
**<https://www.ebooklibonline.com>**

**If the above button click is invalid. Please download this document first, and then click the above link to download the complete manual.**

**Thank you so much for reading**

**WHEEL HUB - WITH FRONT BRAKES - 380999**

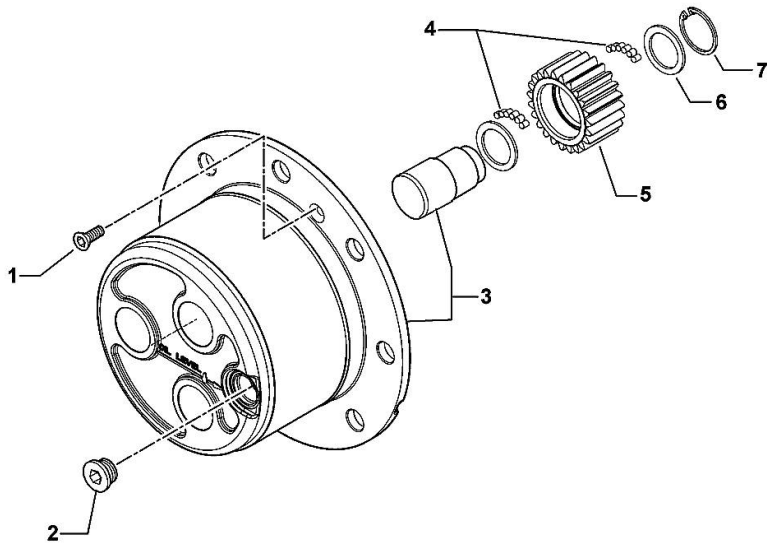
| Fig. | P/n          | QTY | Name                  |
|------|--------------|-----|-----------------------|
| 1    | 0.900.0091.1 | 2   | oil seal 155x180x14,5 |
| 2    | 0.900.1360.6 | 4   | bearing               |
| 3    | 0.900.1416.9 | 2   | wheel hub             |
| 4    | 0.900.0091.4 | 16  | stud bolt             |
| 5    | 0.900.1417.0 | 2   | oil seal              |
| 6    | 0.900.0091.6 | 4   | circlip               |
| 7    | 0.900.0116.9 | 2   | screw - KIT           |
| 8    | 0.900.0116.8 | 2   | screw - KIT           |
| 9    | 0.900.0117.0 | 4   | rivet                 |
| 10   | 0.900.1536.9 | 2   | hub                   |
| 11   | 0.900.0091.8 | 16  | screw m 12 x 45       |
| 12   | 0.900.1417.2 | 2   | oil seal              |
| 13   | 0.900.1417.3 | 2   | oil seal              |
| 14   | 0.900.0116.4 | 2   | piston                |
| 15   | 0.900.0116.3 | 2   | brake disc            |
| 16   | 0.900.0116.1 | 4   | brake disc            |
| 17   | 0.900.0116.2 | 2   | brake disc            |
| 18   | 0.900.0116.0 | 2   | clutch plate          |
| 19   | 0.900.1417.6 | 2   | crown wheel Z = 60    |
| 20   | 0.900.0112.8 | 2   | ring                  |



0.018.2550.4/20\_5

**PLANETARY GEAR - 380999**

| Fig. | P/n          | QTY | Name                  |
|------|--------------|-----|-----------------------|
| 1    | 0.900.0092.0 | 4   | screw m 8 p.1.25 x 20 |
| 2    | 0.900.0092.1 | 2   | plug m 30 p.2         |
| 3    | 0.900.1417.8 | 2   | spider                |
| 4    | 0.900.0092.3 | 34  | roller                |
| 5    | 0.900.0092.4 | 6   | gear Z = 23           |
| 6    | 0.900.0092.5 | 6   | slewing ring          |
| 7    | 0.900.0092.6 | 6   | circlip               |



0.018.2550.4/20\_6

**<https://www.ebooklibonline.com>**

Hello dear friend!

Thank you very much for reading.

Enter the link into your browser.

The full manual is available for immediate download.

**<https://www.ebooklibonline.com>**