

IRON 115 HI-LINE DCR ->ZKDT720200TS15001

Section: B0 - ENGINE

Ref: B0.01.2

SERIE GUARNIZIONI

Fig.	P/n	QTY	Name
------	-----	-----	------

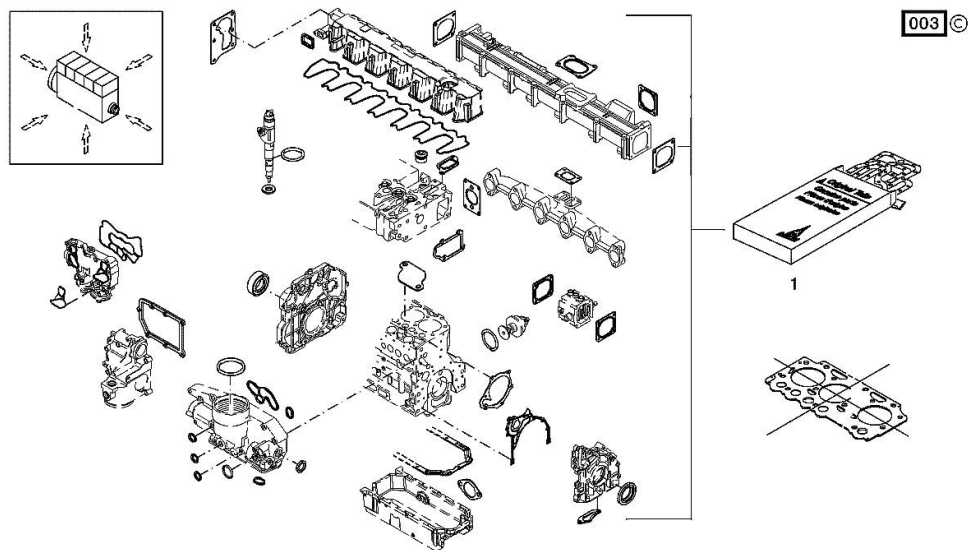
Notes:

[IRON 115 HI-LINE DCR ->ZKDT720200TS15001]

Engine serial number:

11040378 11041537 11049615 11089883 11124992 11124994 11137303

1	02937588	1	gasket set THE KIT DOES NOT CONTAIN ALL THE GASKETS: SEE SM 0199-99-9449
---	----------	---	--



IRON 115 HI-LINE DCR ->ZKDT720200TS15001

Section: B0 - ENGINE

Ref: B0.01.6

BLEEDING TUBE

Fig.	P/n	QTY	Name
------	-----	-----	------

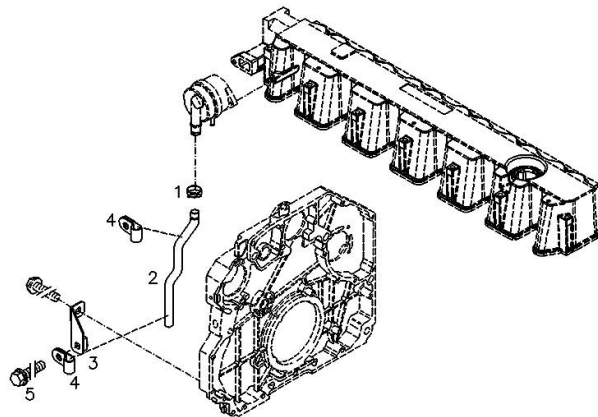
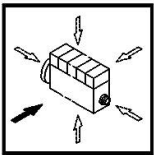
Notes:

[IRON 115 HI-LINE DCR ->ZKDT720200TS15001]

Engine serial number:

11040378 11041537 11049615 11089883 11124992 11124994 11137303

1	01178750	1	clamp DIN 3021 -A-29X15
2	04290751	1	tube
3	04291288	1	bracket
4	01173523	2	fascia DIN 3016 -1-A1-25X20-W1-2
5	01181433	2	screw EN 1662 -F-M8X20-LG2,5-10.9-ZNAL-A



000 ©

0511 1548

ACCESSORIES

Fig.	P/n	QTY	Name
------	-----	-----	------

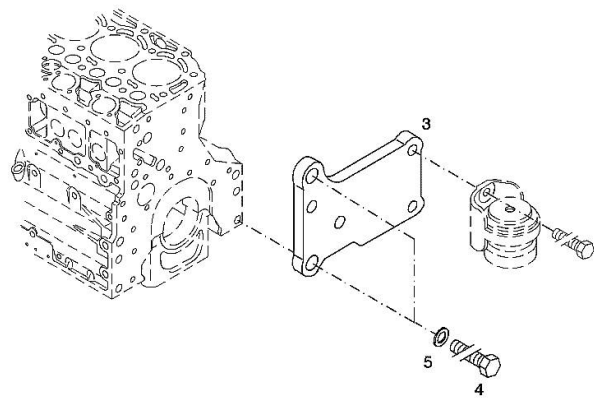
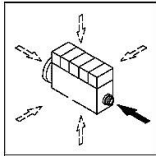
Notes:

[IRON 115 HI-LINE DCR ->ZKDT720200TS15001]

Engine serial number:

11040378 11041537 11049615 11089883 11124992 11124994 11137303

3	04288659	1	support
4	01148261	2	screw ISO 4017 -M16X40-10.9-ZNAL-A
5	01181400	2	washer H 2308 -18X25X1,5-A4C



<https://www.ebooklibonline.com>

Hello dear friend!

Thank you very much for reading.

Enter the link into your browser.

The full manual is available for immediate download.

<https://www.ebooklibonline.com>

ACCESSORIES

Fig.	P/n	QTY	Name
------	-----	-----	------

Notes:

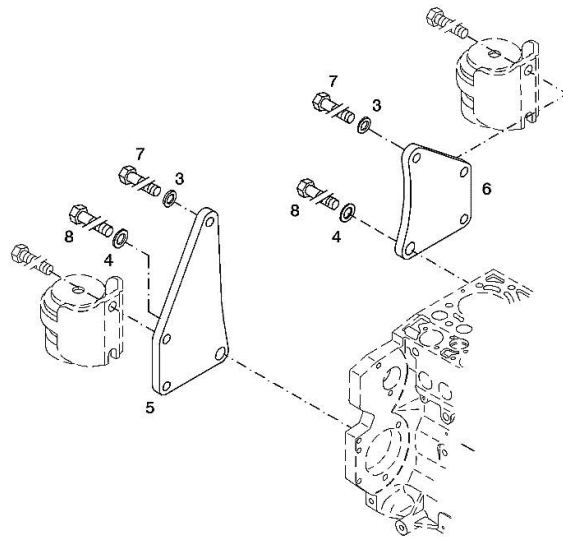
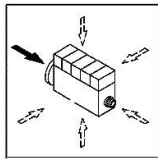
[IRON 115 HI-LINE DCR ->ZKDT720200TS15001]

Engine serial number:

11040378 11041537 11049615 11089883 11124992 11124994 11137303

3	01182016	2	disc H 2308 -13X24X3-ZNAL-A
4	01181400	2	washer H 2308 -18X25X1,5-A4C
5	04206926	1	plate dx/rh/re
6	04206927	1	plate sx/lh/li
7	01148137	2	screw - UP TO MONTH OF ASSEMBLY (A) - FROM MONTH OF ASSEMBLY SEE POS. (B) A = 06.2009 B = POS. 950 DIN 931 -M12X75-10.9-ZNAL-A
8	01148037	2	screw UP TO MONTH OF ASSEMBLY (A) - FROM MONTH OF ASSEMBLY SEE POS. (B) A = 06.2009 B = POS. 951 ISO 4014 -M16X75-10.9-OELGESCHW
950	01149017	2	screw - FROM MONTH OF ASSEMBLY SEE POS. (B) - UP TO MONTH OF ASSEMBLY (A) FROM MONTH OF ASSEMBLY A = 07.2009 B = 7
951	01180235	2	screw - FROM MONTH OF ASSEMBLY SEE POS. (B) - UP TO MONTH OF ASSEMBLY (A) FROM MONTH OF ASSEMBLY A = 07.2009 B= Pos.8 DIN 34800 -BM12X75-10.9-ZNAL-A H 2032 -HBM16X75-10.9-GESCHW

003 ©



OIL FILLER NECK

Fig.	P/n	QTY	Name
------	-----	-----	------

Notes:

[IRON 115 HI-LINE DCR ->ZKDT720200TS15001]

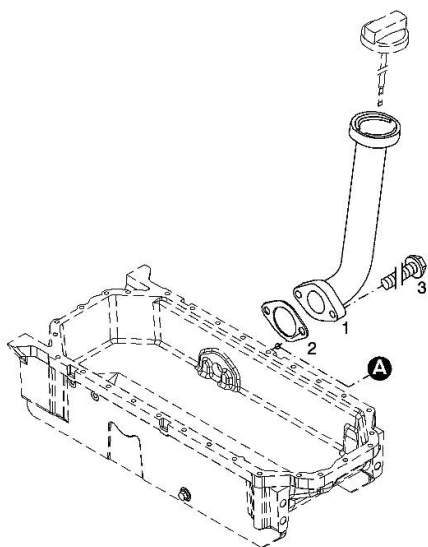
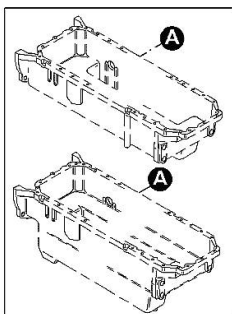
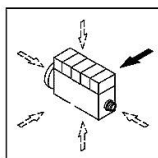
Engine serial number:

11040378 11041537 11049615 11089883 11124992 11124994 11137303

1	04207099	1	tube
2	01178421	1	gasket
3	01181433	2	screw

30 Nm

001 ©



IRON 115 HI-LINE DCR ->ZKDT720200TS15001

Section: B0 - ENGINE

Ref: B0.01.13

CRANKCASE BREATHER

Fig.	P/n	QTY	Name
------	-----	-----	------

Notes:

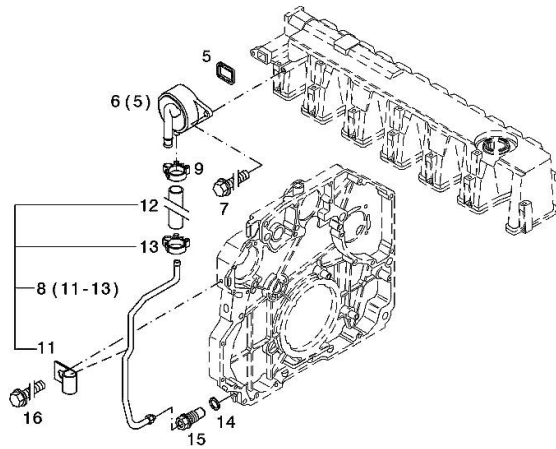
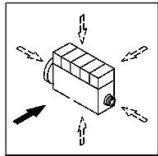
[IRON 115 HI-LINE DCR ->ZKDT720200TS15001]

Engine serial number:

11040378 11041537 11049615 11089883 11124992 11124994 11137303

5	04298547	1	rubber plug
6	04905110	1	breather WITH POS.... (5)
7	01181432	2	screw m8x30 EN 1662 -F-M8X30-10.9-ZNAL-A
8	04504876	1	tube WITH POS.... 11-13
9	01182878	1	fascia H 3461 -F-13,0/8
11	02144961	1	fascia
12	04288507	1	rubber tube H 3407 -F8X14X57-EAM/ARAMID/EAM
13	01182878	1	fascia H 3461 -F-13,0/8
14	01118737	1	oil seal 22 x 27 DIN 7603 -A22X27-CU
15	04505853	1	pipe union
16	01181442	1	screw m6x12 EN 1662 -F-M6X12-10.9-ZNAL-A

000 ©



ACCESSORIES

Fig.	P/n	QTY	Name
------	-----	-----	------

Notes:

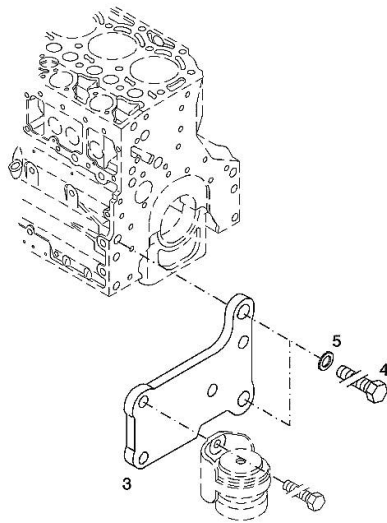
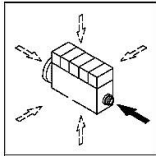
[IRON 115 HI-LINE DCR ->ZKDT720200TS15001]

Engine serial number:

11040378 11041537 11049615 11089883 11124992 11124994 11137303

3	04288660	1	support
4	01148261	2	screw ISO 4017 -M16X40-10.9-ZNAL-A
5	01181400	2	washer H 2308 -18X25X1,5-A4C

003 ©



IRON 115 HI-LINE DCR ->ZKDT720200TS15001

Section: B0 - ENGINE

Ref: B0.01.16

FILLER CAP

Fig.	P/n	QTY	Name
------	-----	-----	------

Notes:

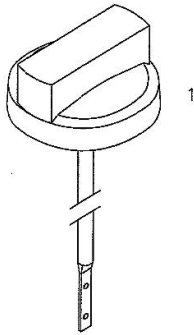
[IRON 115 HI-LINE DCR ->ZKDT720200TS15001]

Engine serial number:

11040378 11041537 11049615 11089883 11124992 11124994 11137303

1	01180286	1	plug H 2875 -B2-OL40-166X4-130X12
---	----------	---	--------------------------------------

000



0507 1178

IRON 115 HI-LINE DCR ->ZKDT720200TS15001

Section: B0 - ENGINE

Ref: B0.01.17

PISTON COOL.NOZZLE

Fig.	P/n	QTY	Name
------	-----	-----	------

Notes:

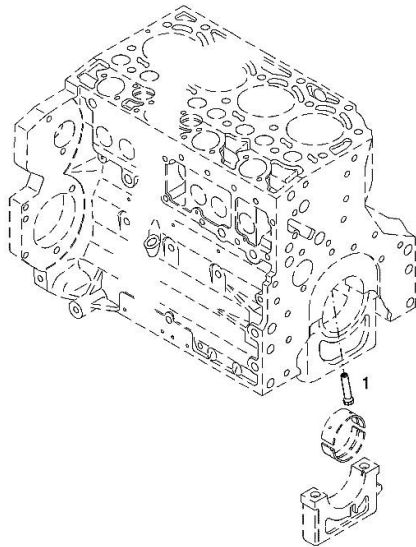
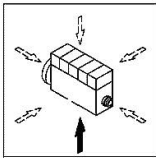
[IRON 115 HI-LINE DCR ->ZKDT720200TS15001]

Engine serial number:

11040378 11041537 11049615 11089883 11124992 11124994 11137303

1	04207521	1	sprayers
---	----------	---	----------

001 ©



IRON 115 HI-LINE DCR ->ZKDT720200TS15001

Section: B0 - ENGINE

Ref: B0.01.18

KURBELGEHAEUSE

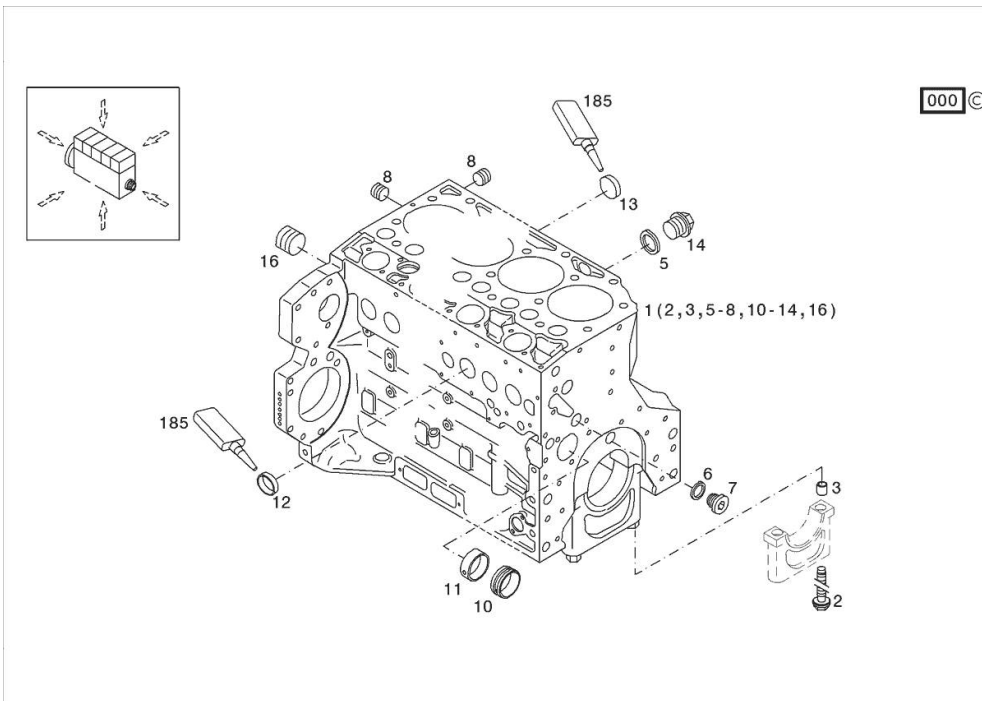
Fig.	P/n	QTY	Name
------	-----	-----	------

Notes:

[IRON 115 HI-LINE DCR ->ZKDT720200TS15001]

Engine serial number:

11040378 11041537 11049615 11089883 11124992 11124994 11137303



185	01319910	1	guard
1	04296586	1	crankcase kpl. MIT POS.... WITH ITEM.... (2,3,5-8,10-14,16)
2	04254240	14	screw 50 Nm , 90° , 90°
3	04160764	14	bushing
5	01118693	2	gasket 14x20 DIN 7603 -A14X20-CU
6	01101342	1	oil seal DIN 7603 -D22X27-CU
7	04292706	1	plug 80 Nm
8	01182031	2	screw 35 Nm H 2812 -906-M14X1,5-ST-A3C-LOCTITE506
10	04251884	6	plug
11	04250086	1	ring
12	01148032	9	cover DIN 443 -A45-ZNPHR
13	01148031	6	plug DIN 443 -A36-ZNPHR
14	01100940	2	screw 35 Nm DIN 7604 -AM14X1,5-ST-A4C
16	04226536	1	bottom 30 Nm

IRON 115 HI-LINE DCR ->ZKDT720200TS15001

Section: B0 - ENGINE

Ref: B0.01.23

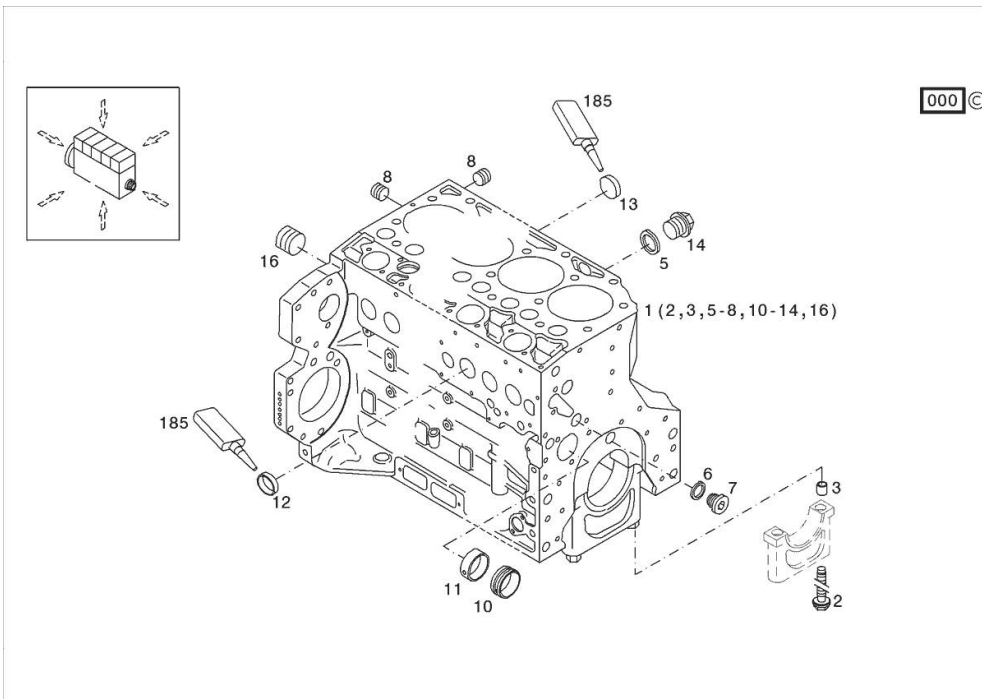
KURBELGEHAEUSE

Fig.	P/n	QTY	Name
------	-----	-----	------

Notes:

[IRON 115 HI-LINE DCR ->ZKDT720200TS15001]

185	01319910	1	guard
1	04506856	1	crankcase MIT POS.... (2,3,5-8,10-14,16)
2	04254240	14	screw 50 Nm , 90° , 90°
3	04160764	14	bushing
5	01118693	2	gasket 14x20 DIN 7603 -A14X20-CU
6	01101342	1	oil seal DIN 7603 -D22X27-CU
7	04292706	1	plug 80 Nm
8	01182031	2	screw 35 Nm H 2812 -906-M14X1,5-ST-A3C-LOCTITE506
10	04251884	6	plug
11	04250086	1	ring
12	01148032	9	cover DIN 443 -A45-ZNPHR
13	01148031	6	plug DIN 443 -A36-ZNPHR
14	01100940	2	screw 35 Nm DIN 7604 -AM14X1,5-ST-A4C
16	04226536	1	bottom 30 Nm



IRON 115 HI-LINE DCR ->ZKDT720200TS15001

Section: B0 - ENGINE

Ref: B0.01.26

FLANGE

Fig.	P/n	QTY	Name
------	-----	-----	------

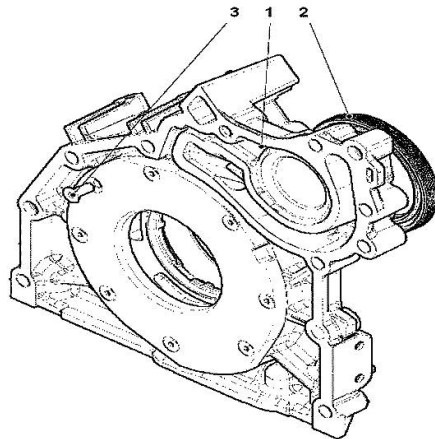
Notes:

[IRON 115 HI-LINE DCR ->ZKDT720200TS15001]

Engine serial number:

11040378 11041537 11049615 11089883 11124992 11124994 11137303

1	04502445	1	oil pump WITH POS.... (2,3)
2	04502202	1	special oil seal
3	01133718	8	screw 8.5 Nm DIN 7991 -M6X16-8.8-A4C



000

IRON 115 HI-LINE DCR ->ZKDT720200TS15001

Section: B0 - ENGINE

Ref: B0.01.28

CLOSING COMPONENTS

Fig.	P/n	QTY	Name
------	-----	-----	------

Notes:

[IRON 115 HI-LINE DCR ->ZKDT720200TS15001]

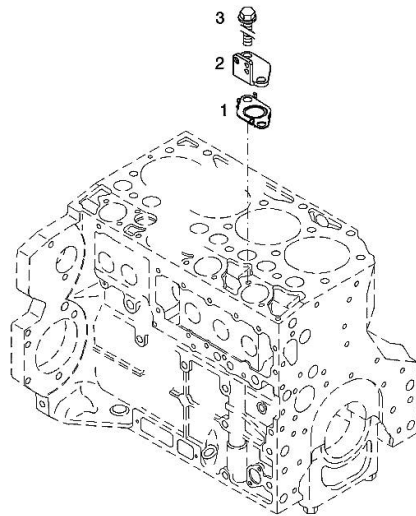
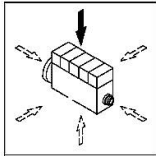
Engine serial number:

11040378 11041537 11049615 11089883 11124992 11124994 11137303

1	04292757	1	gasket
2	04292113	1	bracket
3	01181436	2	screw

EN 1662 -F-M8X16-LG2,5-10.9-ZNAL-A

000 ©





Suggest:

For more complete manuals. Please go to the home page.

<https://www.ebooklibonline.com>

If the above button click is invalid. Please download this document first, and then click the above link to download the complete manual.

Thank you so much for reading

OIL RETURN

Fig.	P/n	QTY	Name
------	-----	-----	------

Notes:

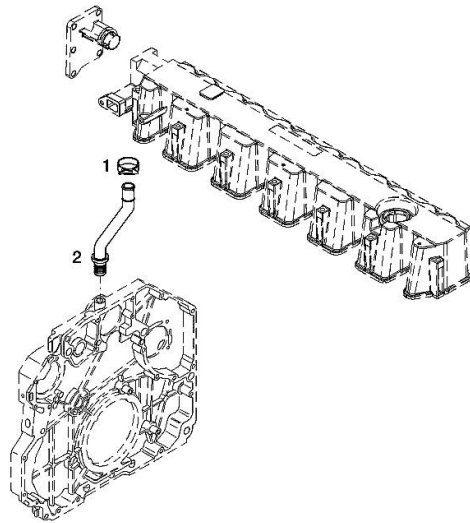
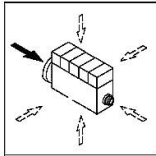
[IRON 115 HI-LINE DCR ->ZKDT720200TS15001]

Engine serial number:

11040378 11041537 11049615 11089883 11124992 11124994 11137303

1	01148669	1	ring DIN 3021 -A-14X12
2	04289223	1	pipe fitting

001 ©



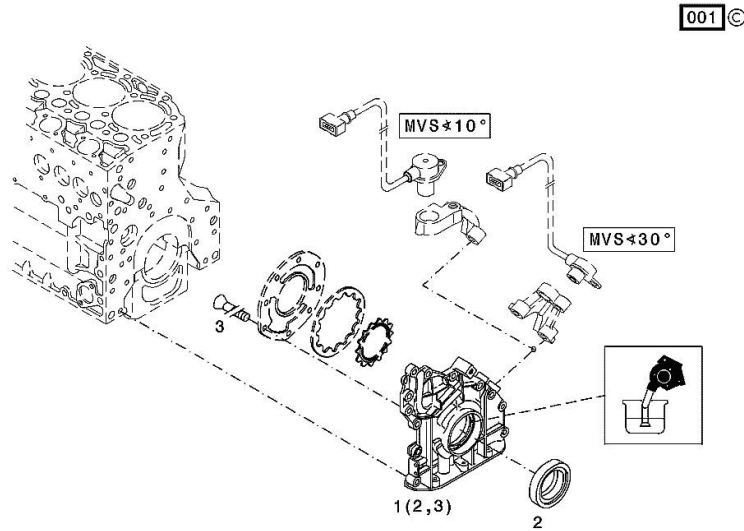
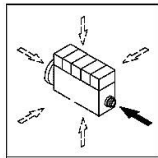
FLANGE

Fig.	P/n	QTY	Name
------	-----	-----	------

Notes:

[IRON 115 HI-LINE DCR ->ZKDT720200TS15001]

1	04258382	1	oil pump kpl. WITH POS.... (2,3)
2	04253372	1	oil seal
3	01133718	1	screw DIN 7991 -M6X16-8.8-A4C



<https://www.ebooklibonline.com>

Hello dear friend!

Thank you very much for reading.

Enter the link into your browser.

The full manual is available for immediate download.

<https://www.ebooklibonline.com>