

IRON 115 HI-LINE DCR ->ZKDL430200TS15001

Section: B0 - ENGINE

Ref: B0.00.3 (1)

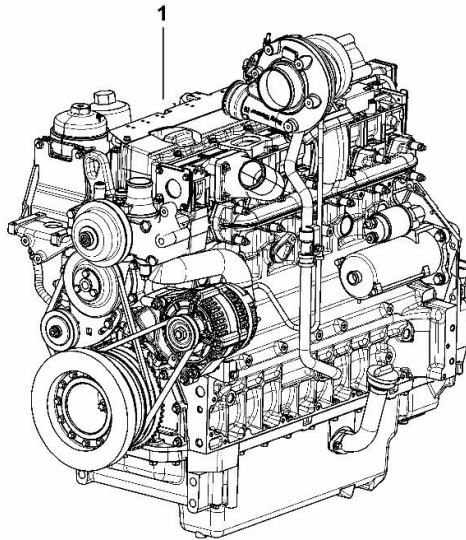
ENGINE TCD 2012 L06 2V DCR

Fig.	P/n	QTY	Name
------	-----	-----	------

Notes:

[IRON 115 DCR HI-LINE ->ZKDL430200TS15001]

1	25007698	1	engine TCD 2012 L06 2V DCR ON ORDERING PLEASE ENGINE NO. REQUIRED
---	----------	---	---



9_O3119_01_0-A-001

IRON 115 HI-LINE DCR ->ZKDL430200TS15001

Section: B0 - ENGINE

Ref: B0.01.0

FASTENINGS

Fig.	P/n	QTY	Name
------	-----	-----	------

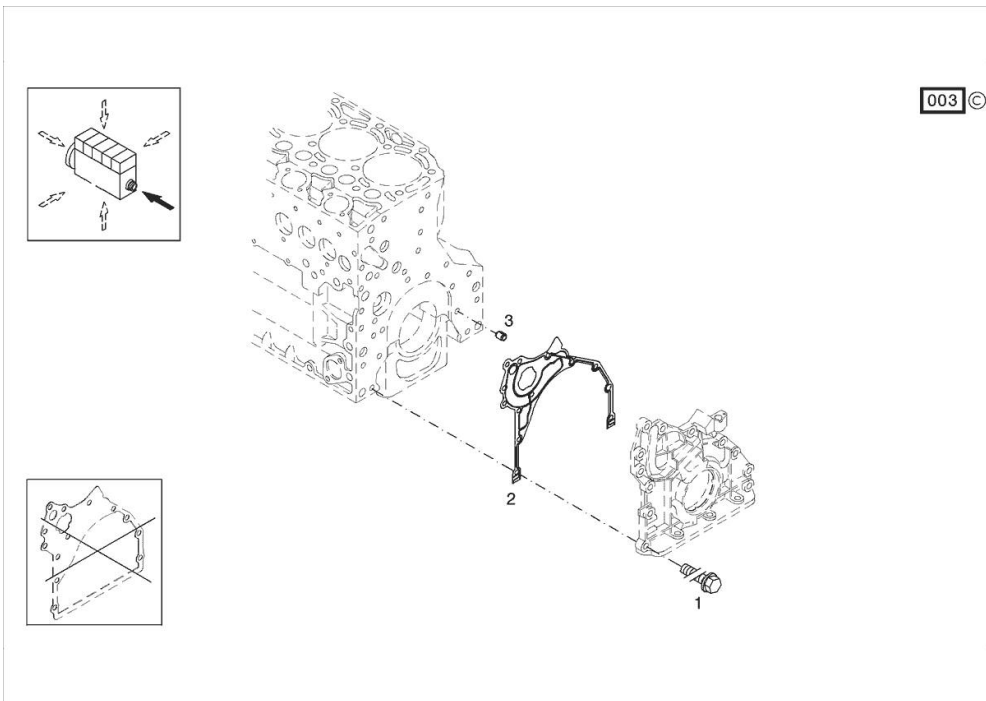
Notes:

[IRON 115 DCR HI-LINE ->ZKDL430200TS15001]

Engine serial number:

10658716 10703419 10749965 10771110 10781076 10781077 10781080 10781081 10785886 10805801 10810253
 10814651 10838578 10864525 10875762 10893746 10893757 10900883 10900975 10900988 10930075 10932491
 10932492 10935295 10954936 10955327 10966568 10970333 10976706 10976713 10978839 10978844

1	01183645	12	screw EN 1662 -F-M8X35-10.9-ZNAL-A
2	04504325	1	gasket
3	01181406	1	bushing H 2341 -B11X8-FE/ZN12C*



IRON 115 HI-LINE DCR ->ZKDL430200TS15001

Section: B0 - ENGINE

Ref: B0.01.2

SERIE GUARNIZIONI

Fig.	P/n	QTY	Name
------	-----	-----	------

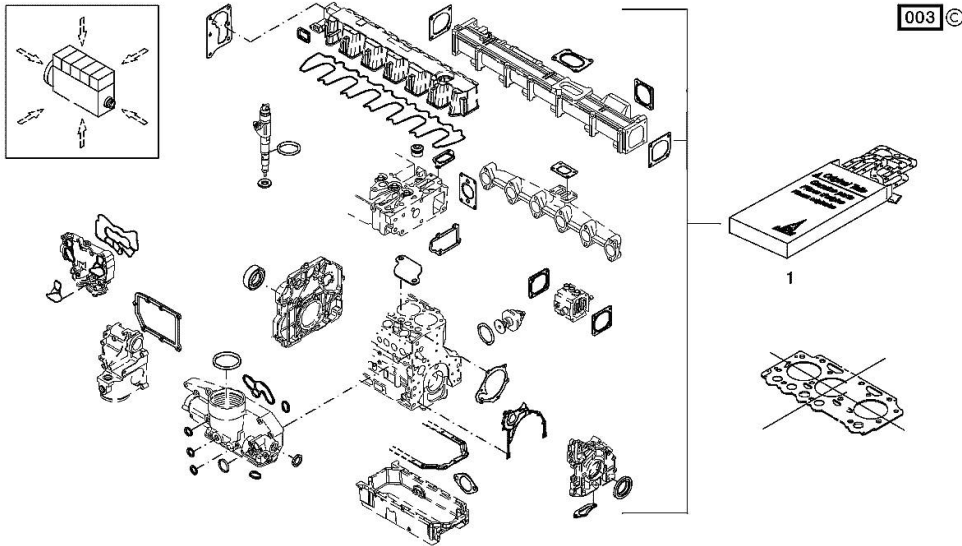
Notes:

[IRON 115 DCR HI-LINE ->ZKDL430200TS15001]

Engine serial number:

10658716 10703419 10749965 10771110 10781076 10781077 10781080 10781081 10785886 10805801 10810253
 10814651 10838578 10864525 10875762 10893746 10893757 10900883 10900975 10900988 10930075 10932491
 10932492 10935295 10954936 10955327 10966568 10970333 10976706 10976713 10978839 10978844

1	02937588	1	gasket set THE KIT DOES NOT CONTAIN ALL THE GASKETS: SEE SM 0199-99-9449
---	----------	---	--



<https://www.ebooklibonline.com>

Hello dear friend!

Thank you very much for reading.

Enter the link into your browser.

The full manual is available for immediate download.

<https://www.ebooklibonline.com>

IRON 115 HI-LINE DCR ->ZKDL430200TS15001

Section: B0 - ENGINE

Ref: B0.01.6

BLEEDING TUBE

Fig.	P/n	QTY	Name
------	-----	-----	------

Notes:

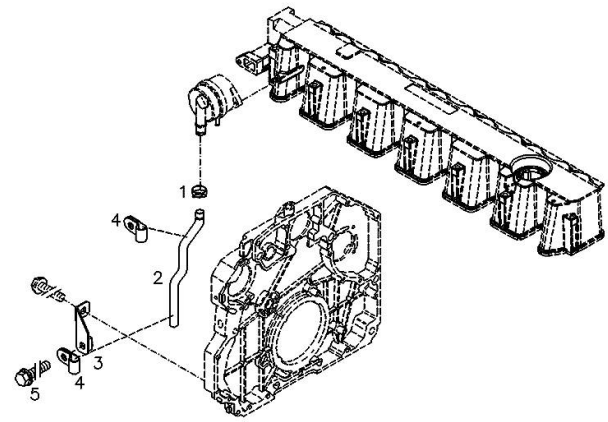
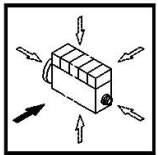
[IRON 115 DCR HI-LINE ->ZKDL430200TS15001]

Engine serial number:

10658716 10703419 10749965 10771110 10781076 10781077 10781080 10781081 10785886 10805801 10810253
 10814651 10838578 10864525 10875762 10893746 10893757 10900883 10900975 10900988 10930075 10932491
 10932492 10935295 10954936 10955327 10966568 10970333 10976706 10976713 10978839 10978844

1	01178750	1	clamp DIN 3021 -A-29X15
2	04290751	1	tube
3	04291288	1	bracket
4	01173523	2	fascia DIN 3016 -1-A1-25X20-W1-2
5	01181433	2	screw EN 1662 -F-M8X20-LG2,5-10.9-ZNAL-A

000 ©



0511 1548

IRON 115 HI-LINE DCR ->ZKDL430200TS15001

Section: B0 - ENGINE

Ref: B0.01.9

ACCESSORIES

Fig.	P/n	QTY	Name
------	-----	-----	------

Notes:

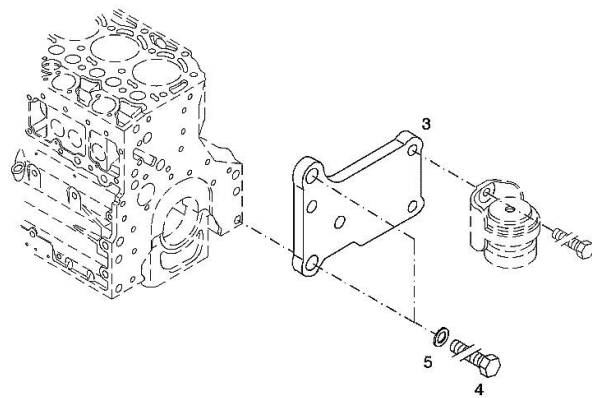
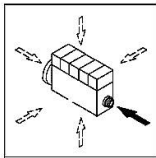
[IRON 115 DCR HI-LINE ->ZKDL430200TS15001]

Engine serial number:

10658716 10703419 10749965 10771110 10781076 10781077 10781080 10781081 10785886 10805801 10810253
 10814651 10838578 10864525 10875762 10893746 10893757 10900883 10900975 10900988 10930075 10932491
 10932492 10935295 10954936 10955327 10966568 10970333 10976706 10976713 10978839 10978844

3	04288659	1	support
4	01148261	2	screw ISO 4017 -M16X40-10.9-ZNAL-A
5	01181400	2	washer H 2308 -18X25X1,5-A4C

006 ©



ACCESSORIES

Fig.	P/n	QTY	Name
------	-----	-----	------

Notes:

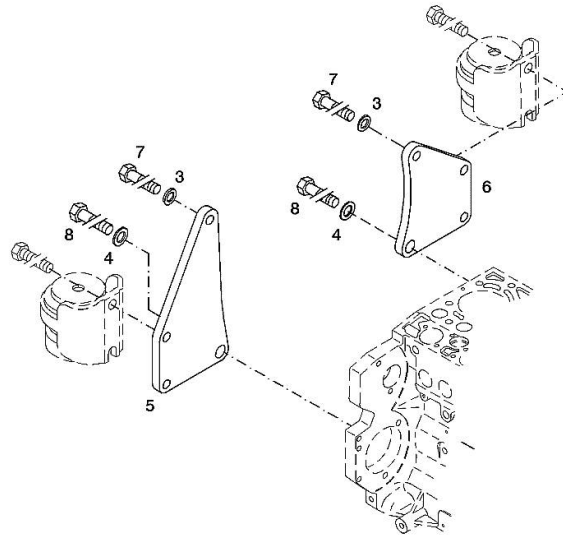
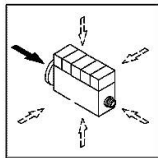
[IRON 115 DCR HI-LINE ->ZKDL430200TS15001]

Engine serial number:

10658716 10703419 10749965 10771110 10781076 10781077 10781080 10781081 10785886 10805801 10810253
 10814651 10838578 10864525 10875762 10893746 10893757 10900883 10900975 10900988 10930075 10932491
 10932492 10935295 10954936 10955327 10966568 10970333 10976706 10976713 10978839 10978844

003 ©

3	01182016	2	disc H 2308 -13X24X3-ZNAL-A
4	01181400	2	washer H 2308 -18X25X1,5-A4C
5	04206926	1	plate dx/rh/re
6	04206927	1	plate sx/lh/li
7	01148137	2	screw - UP TO MONTH OF ASSEMBLY (A) - FROM MONTH OF ASSEMBLY SEE POS. (B) A = 06.2009 B = POS. 950 DIN 931 -M12X75-10.9-ZNAL-A
8	01148037	2	screw UP TO MONTH OF ASSEMBLY (A) - FROM MONTH OF ASSEMBLY SEE POS. (B) A = 06.2009 B = POS. 951 ISO 4014 -M16X75-10.9-OELGESCHW
950	01149017	2	screw - FROM MONTH OF ASSEMBLY SEE POS. (B) - UP TO MONTH OF ASSEMBLY (A) FROM MONTH OF ASSEMBLY A = 07.2009 B = 7 DIN 34800 -BM12X75-10.9-ZNAL-A
951	01180235	2	screw - FROM MONTH OF ASSEMBLY SEE POS. (B) - UP TO MONTH OF ASSEMBLY (A) FROM MONTH OF ASSEMBLY A = 07.2009 B= Pos.8 H 2032 -HBM16X75-10.9-GESCHW



IRON 115 HI-LINE DCR ->ZKDL430200TS15001

Section: B0 - ENGINE

Ref: B0.01.11

OIL FILLER NECK

Fig.	P/n	QTY	Name
------	-----	-----	------

Notes:

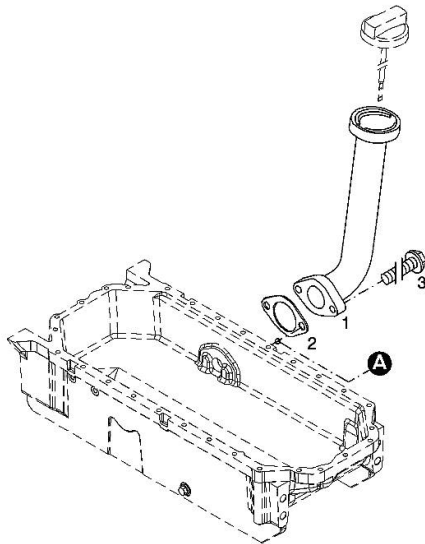
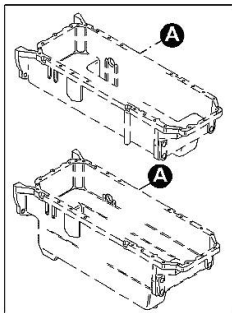
[IRON 115 DCR HI-LINE ->ZKDL430200TS15001]

Engine serial number:

10658716 10703419 10749965 10771110 10781076 10781077 10781080 10781081 10785886 10805801 10810253
 10814651 10838578 10864525 10875762 10893746 10893757 10900883 10900975 10900988 10930075 10932491
 10932492 10935295 10954936 10955327 10966568 10970333 10976706 10976713 10978839 10978844

1	04207099	1	tube
2	01178421	1	gasket
3	01181433	2	screw
			30 Nm

001 ©



IRON 115 HI-LINE DCR ->ZKDL430200TS15001

Section: B0 - ENGINE

Ref: B0.01.12

CRANKCASE BREATHER

Fig.	P/n	QTY	Name
------	-----	-----	------

Notes:

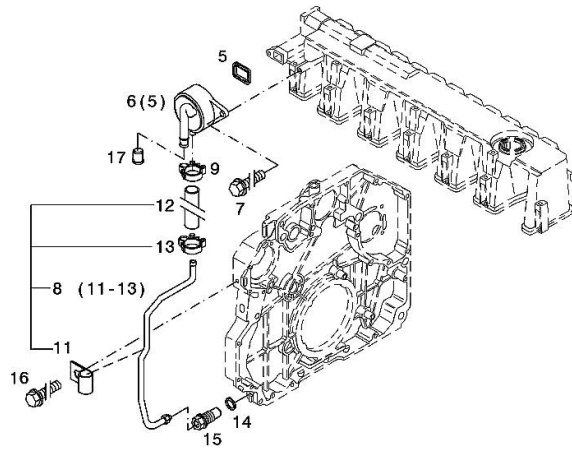
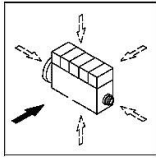
[IRON 115 DCR HI-LINE ->ZKDL430200TS15001]

Engine serial number:

10658716 10703419 10749965 10771110 10781076 10781077 10781080 10781081 10785886 10805801 10810253
10814651

002 ©

5	04298547	1	rubber plug
6	04905110	1	breather WITH POS.... (5)
7	01181432	2	screw m8x30 EN 1662 -F-M8X30-10.9-ZNAL-A
8	04504876	1	tube WITH POS.... 11-13
9	01182878	1	fascia H 3461 -F-13,0/8
11	02144961	1	fascia
12	04288507	1	rubber tube H 3407 -F8X14X57-EAM/ARAMID/EAM
13	01182878	1	fascia H 3461 -F-13,0/8
14	01118737	1	oil seal 22 x 27 DIN 7603 -A22X27-CU
15	04505853	1	pipe union
16	01181442	1	screw m6x12 EN 1662 -F-M6X12-10.9-ZNAL-A
17	01161302	1	bottom H 2873 -A25,5X22,8X17-PEWEICH



IRON 115 HI-LINE DCR ->ZKDL430200TS15001

Section: B0 - ENGINE

Ref: B0.01.13

CRANKCASE BREATHER

Fig.	P/n	QTY	Name
------	-----	-----	------

Notes:

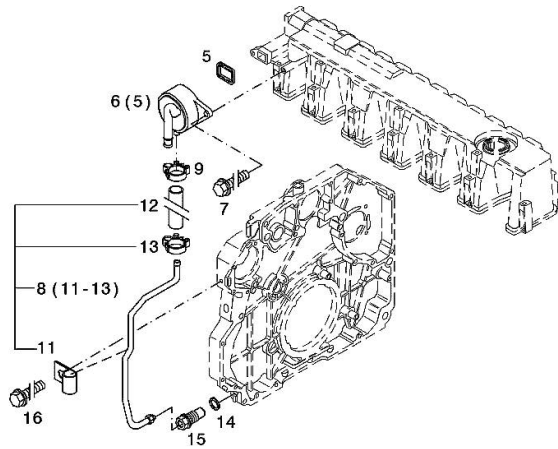
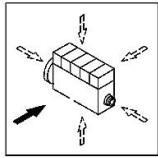
[IRON 115 DCR HI-LINE ->ZKDL430200TS15001]

Engine serial number:

10838578 10864525 10875762 10893746 10893757 10900883 10900975 10900988 10930075 10932491 10932492
10935295 10954936 10955327 10966568 10970333 10976706 10976713 10978839 10978844

000 ©

5	04298547	1	rubber plug
6	04905110	1	breather WITH POS.... (5)
7	01181432	2	screw m8x30 EN 1662 -F-M8X30-10.9-ZNAL-A
8	04504876	1	tube WITH POS.... 11-13
9	01182878	1	fascia H 3461 -F-13,0/8
11	02144961	1	fascia
12	04288507	1	rubber tube H 3407 -F8X14X57-EAM/ARAMID/EAM
13	01182878	1	fascia H 3461 -F-13,0/8
14	01118737	1	oil seal 22 x 27 DIN 7603 -A22X27-CU
15	04505853	1	pipe union
16	01181442	1	screw m6x12 EN 1662 -F-M6X12-10.9-ZNAL-A



IRON 115 HI-LINE DCR ->ZKDL430200TS15001

Section: B0 - ENGINE

Ref: B0.01.14

ACCESSORIES

Fig.	P/n	QTY	Name
------	-----	-----	------

Notes:

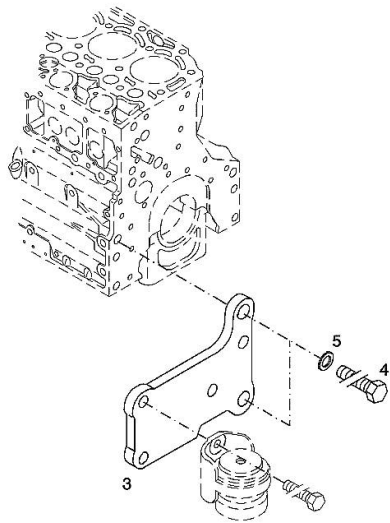
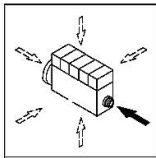
[IRON 115 DCR HI-LINE ->ZKDL430200TS15001]

Engine serial number:

10658716 10703419 10749965 10771110 10781076 10781077 10781080 10781081 10785886 10805801 10810253
 10814651 10838578 10864525 10875762 10893746 10893757 10900883 10900975 10900988 10930075 10932491
 10932492 10935295 10954936 10955327 10966568 10970333 10976706 10976713 10978839 10978844

3	04288660	1	support
4	01148261	2	screw ISO 4017 -M16X40-10.9-ZNAL-A
5	01181400	2	washer H 2308 -18X25X1,5-A4C

003 ©



IRON 115 HI-LINE DCR ->ZKDL430200TS15001

Section: B0 - ENGINE

Ref: B0.01.15

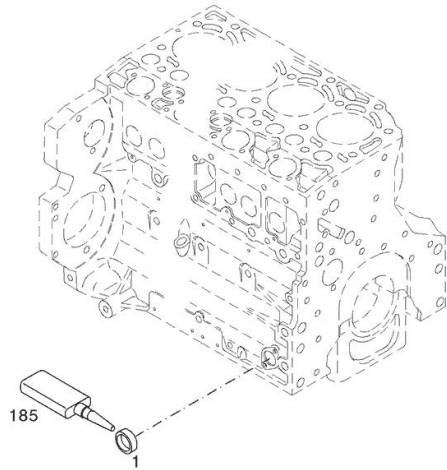
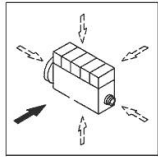
PLUG

Fig.	P/n	QTY	Name
------	-----	-----	------

Notes:

[IRON 115 DCR HI-LINE ->ZKDL430200TS15001]

1	01148031	1	plug DIN 443 -A36-ZNPHR
185	01319911	1	sealing compound ml. 50



002 ©

IRON 115 HI-LINE DCR ->ZKDL430200TS15001

Section: B0 - ENGINE

Ref: B0.01.16

FILLER CAP

Fig.	P/n	QTY	Name
------	-----	-----	------

Notes:

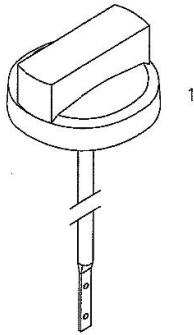
[IRON 115 DCR HI-LINE ->ZKDL430200TS15001]

Engine serial number:

10658716 10703419 10749965 10771110 10781076 10781077 10781080 10781081 10785886 10805801 10810253
10814651 10838578 10864525 10875762 10893746 10893757 10900883 10900975 10900988 10930075 10932491
10932492 10935295 10954936 10955327 10966568 10970333 10976706 10976713 10978839 10978844

1	01180286	1	plug H 2875 -B2-OL40-166X4-130X12
---	----------	---	--------------------------------------

000



0507 1178

IRON 115 HI-LINE DCR ->ZKDL430200TS15001

Section: B0 - ENGINE

Ref: B0.01.17

PISTON COOL.NOZZLE

Fig.	P/n	QTY	Name
------	-----	-----	------

Notes:

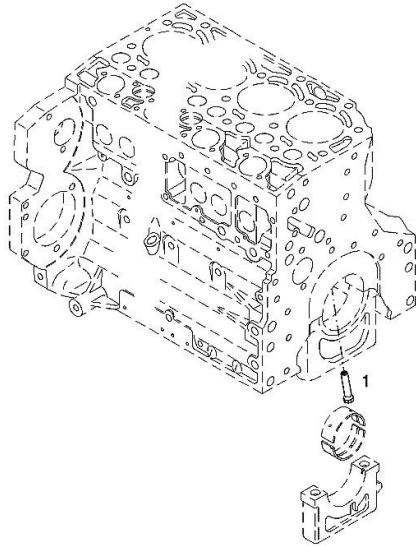
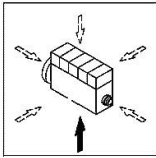
[IRON 115 DCR HI-LINE ->ZKDL430200TS15001]

Engine serial number:

10658716 10703419 10749965 10771110 10781076 10781077 10781080 10781081 10785886 10805801 10810253
10814651 10838578 10864525 10875762 10893746 10893757 10900883 10900975 10900988 10930075 10932491
10932492 10935295 10954936 10955327 10966568 10970333 10976706 10976713 10978839 10978844

1	04207521	1	sprayers
---	----------	---	----------

001 ©





Suggest:

For more complete manuals. Please go to the home page.

<https://www.ebooklibonline.com>

If the above button click is invalid. Please download this document first, and then click the above link to download the complete manual.

Thank you so much for reading

IRON 115 HI-LINE DCR ->ZKDL430200TS15001

Section: B0 - ENGINE

Ref: B0.01.18

KURBELGEHAEUSE

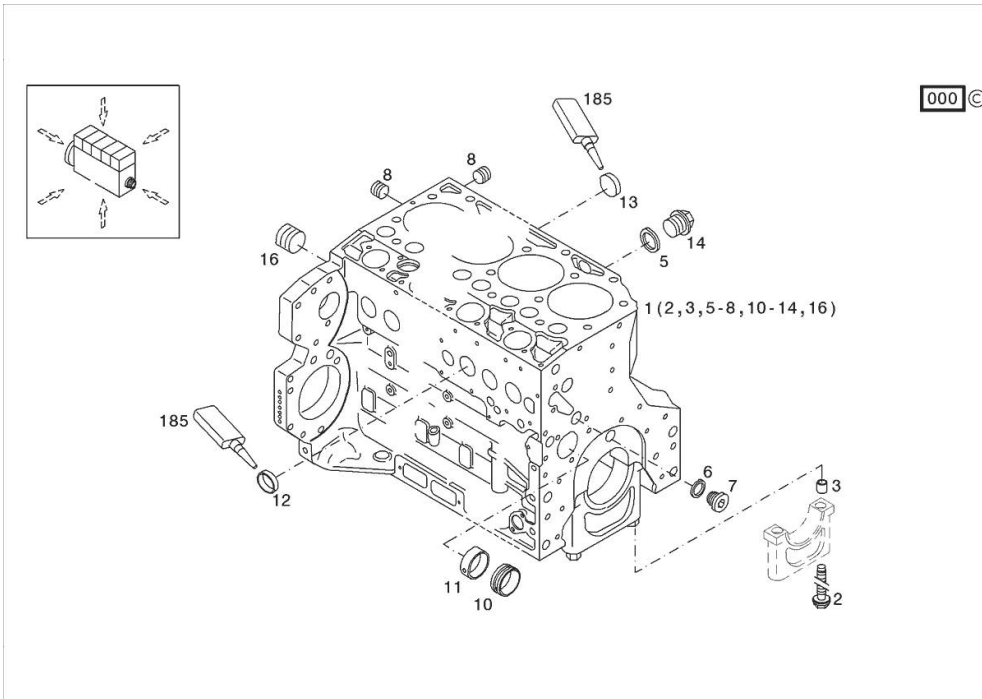
Fig.	P/n	QTY	Name
------	-----	-----	------

Notes:

[IRON 115 DCR HI-LINE ->ZKDL430200TS15001]

Engine serial number:

10658716 10703419 10749965 10771110 10781076 10781077 10781080 10781081 10785886 10805801 10810253
 10814651 10838578 10864525 10875762 10893746 10893757 10900883 10900975 10900988 10930075 10932491
 10932492 10935295 10954936 10955327 10966568 10970333 10976706 10976713 10978839 10978844



185	01319910	1	guard
1	04296586	1	crankcase kpl. MIT POS.... WITH ITEM.... (2,3,5-8,10-14,16)
2	04254240	14	screw 50 Nm , 90° , 90°
3	04160764	14	bushing
5	01118693	2	gasket 14x20 DIN 7603 -A14X20-CU
6	01101342	1	oil seal DIN 7603 -D22X27-CU
7	04292706	1	plug 80 Nm
8	01182031	2	screw 35 Nm H 2812 -906-M14X1,5-ST-A3C-LOCTITE506
10	04251884	6	plug
11	04250086	1	ring
12	01148032	9	cover DIN 443 -A45-ZNPHR
13	01148031	6	plug DIN 443 -A36-ZNPHR
14	01100940	2	screw 35 Nm DIN 7604 -AM14X1,5-ST-A4C
16	04226536	1	bottom 30 Nm

IRON 115 HI-LINE DCR ->ZKDL430200TS15001

Section: B0 - ENGINE

Ref: B0.01.26

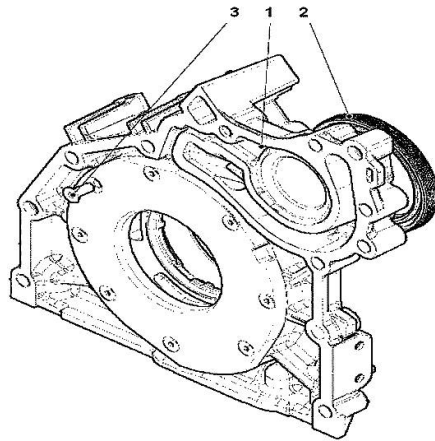
FLANGE

Fig.	P/n	QTY	Name
------	-----	-----	------

Notes:

[IRON 115 DCR HI-LINE ->ZKDL430200TS15001]

1	04502445	1	oil pump WITH POS.... (2,3)
2	04502202	1	special oil seal
3	01133718	8	screw 8.5 Nm DIN 7991 -M6X16-8.8-A4C



000

<https://www.ebooklibonline.com>

Hello dear friend!

Thank you very much for reading.

Enter the link into your browser.

The full manual is available for immediate download.

<https://www.ebooklibonline.com>