

**SERVICE BRAKES - 2092 065 007**

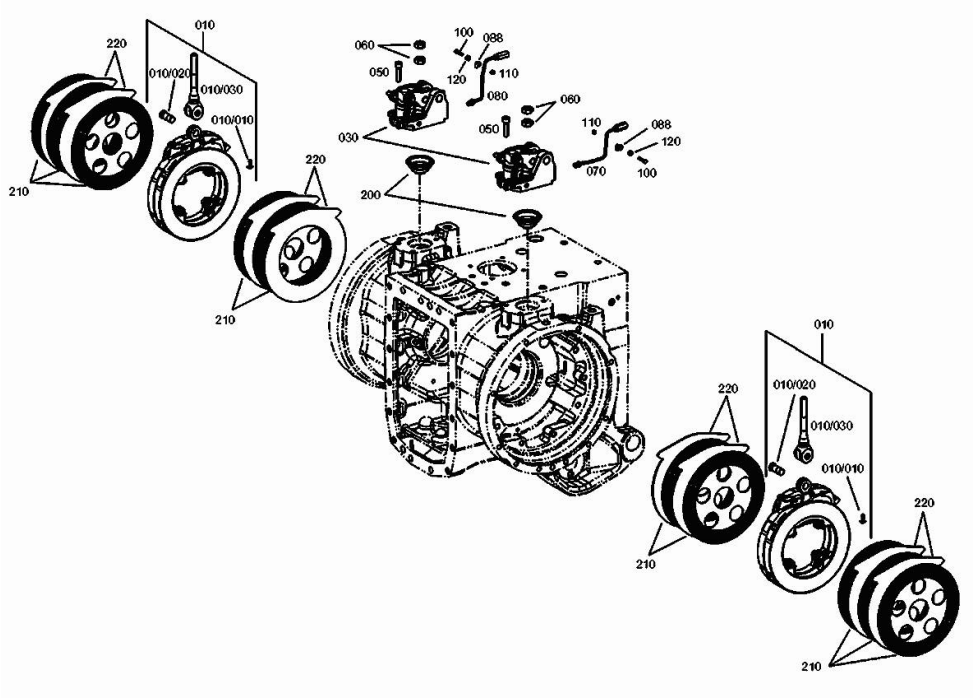
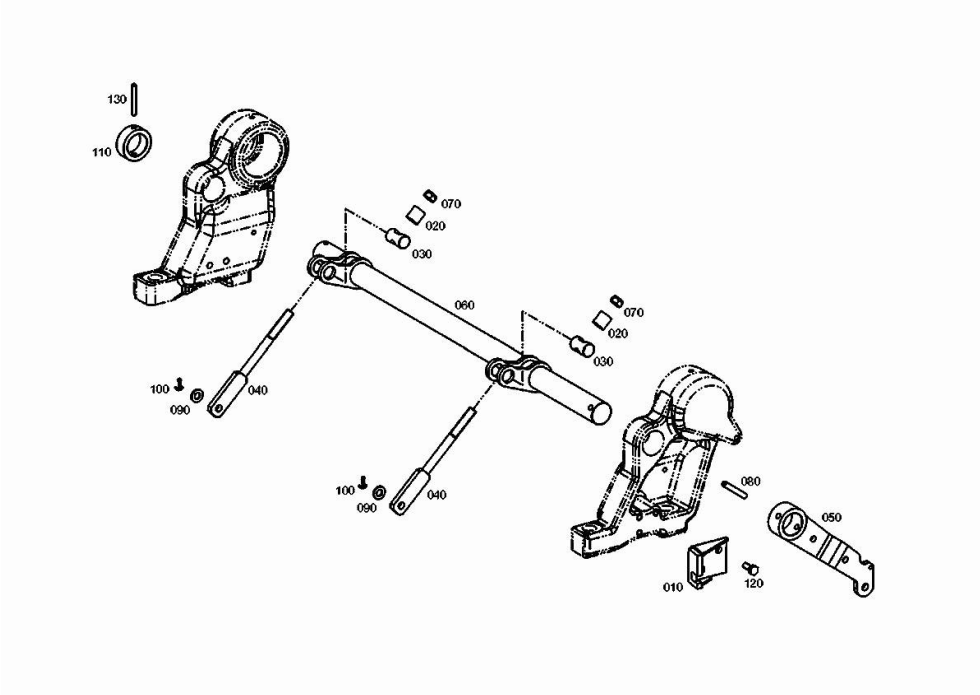


Fig.	P/n	QTY	Name
10	0.900.1583.9	2	transmission brake
10.10	04435741	1	split pin
10.20	04435740	1	pin
10.30	04428551	1	rod
30	0.900.1584.0	2	operation
50	0.900.0469.7	6	screw m 10 x 40
60	04434557	4	nut m 14 p.1.5
70	04428558	1	tube sx/lb/li
80	04428559	1	tube dx/rh/re
88	0.900.0468.2	2	clamp 6x12
100	0.900.0280.1	2	screw m 5 x 25
110	0.900.0470.2	2	nut m 5
120	0.900.0281.6	2	nut
200	0.900.0800.9	2	rubber bushing
210	0.900.1584.6	10	disc
220	0.900.0801.3	8	disc

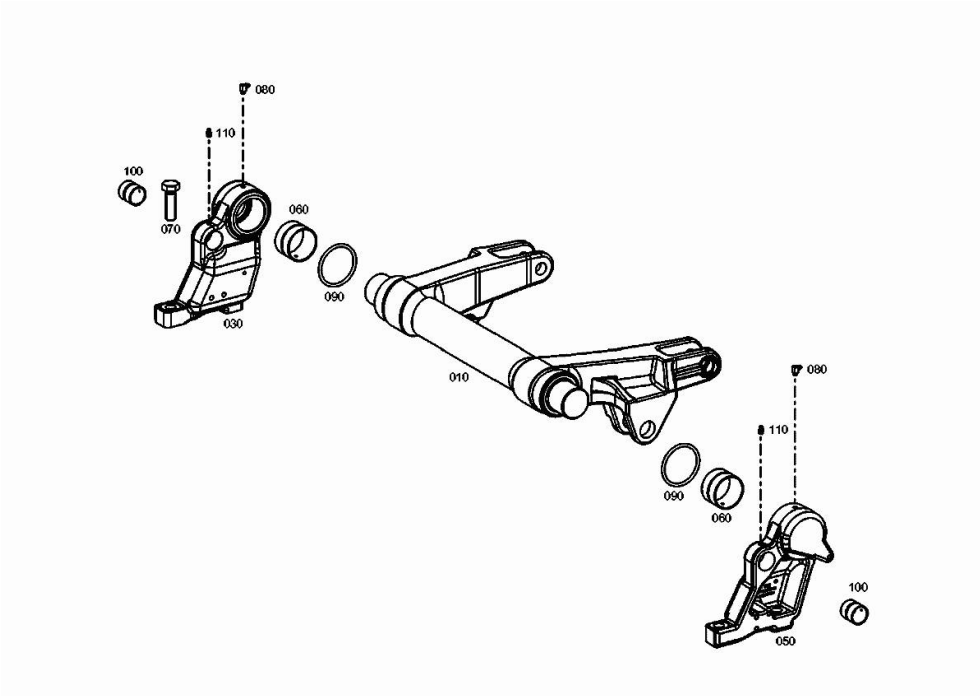
**BRAKE CONTROLS - 2092 065 007**

Fig.	P/n	QTY	Name
10	0.900.1239.7	1	bracket
20	0.900.1239.8	2	tube
30	0.900.1239.9	2	pin
40	0.900.1408.4	2	rod
50	0.900.1240.1	1	lever
60	0.900.1408.5	1	shaft
70	0.900.0281.9	2	nut m 12
80	0.010.3459.1	1	roll pin
90	0.900.0466.9	2	washer
100	0.900.0468.1	2	split pin 3.2x18
110	0.900.1240.3	1	spacer
120	0.900.0469.4	3	screw m 8 p.1.25 x 20
130	0.010.2901.1	1	pin 6x50



**LIFTING - 2092 065 007**

Fig.	P/n	QTY	Name
10	0.900.0824.6	1	shaft
30	0.900.1407.9	1	bearing block dx/rh/re
50	0.900.1408.0	1	bearing block sx/lh/li
60	04417549	2	special bushing
70	0.900.0469.1	4	screw m 20x65
80	0.900.0498.6	2	grease gun
90	04417552	2	ring 78.5x6
100	0.900.1431.3	2	bearing
110	0.010.2922.2	2	grease gun m 8 p.1 x 8



**<https://www.ebooklibonline.com>**

Hello dear friend!

Thank you very much for reading.

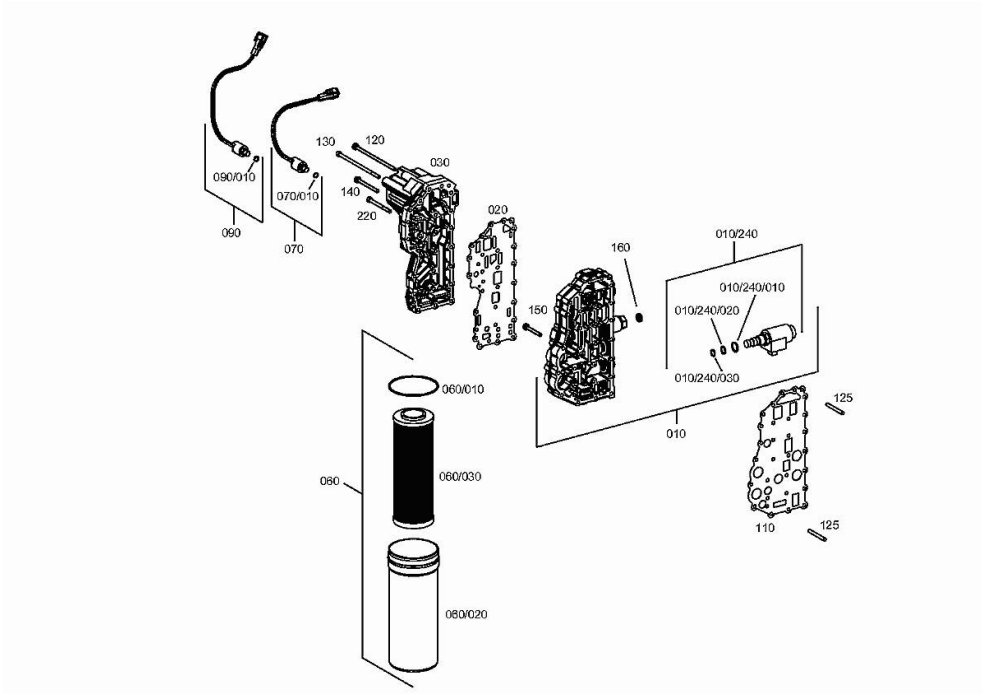
Enter the link into your browser.

The full manual is available for immediate download.

**<https://www.ebooklibonline.com>**

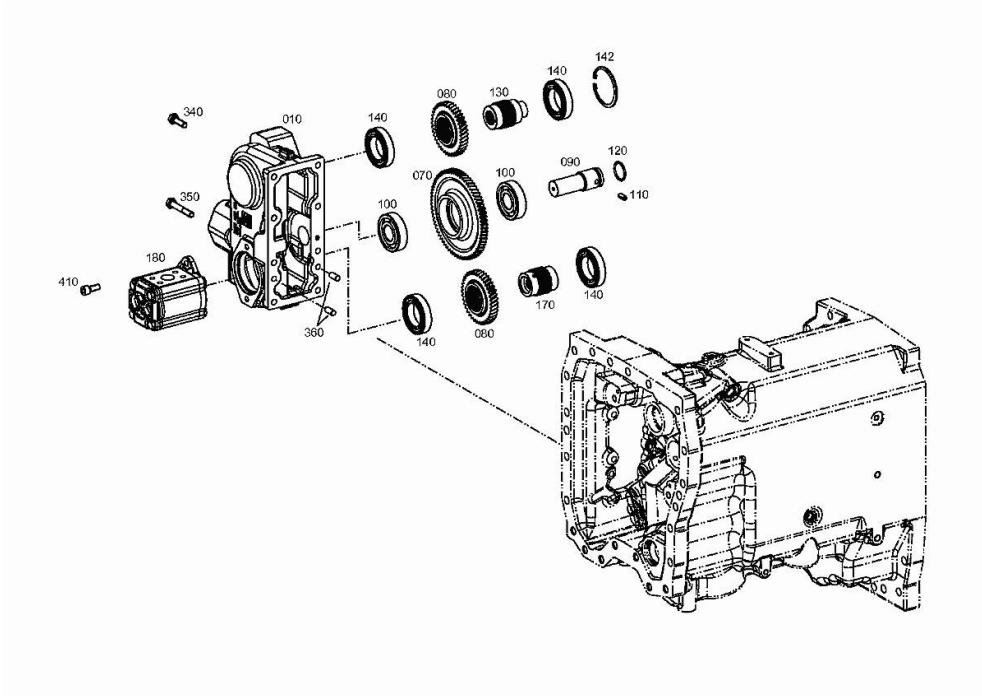
**DRIVE - 2092 065 004**

Fig.	P/n	QTY	Name
10	0.900.0981.2	1	control
10.240	04431661	1	solenoid valve
10.240.10	04417841	1	ring 16.36x2.21
10.240.20	04417842	1	oil seal 12x2
10.240.30	04417843	1	ring 10.82x1.78
20	0.900.0500.7	1	gasket
30	0.900.0981.6	1	plate
60	0.900.1586.8	1	filter
60.10	0.010.3295.1	1	oil seal 94.92 x 2.62
60.20	0.900.1584.2	1	box
60.30	0.900.1583.7	1	filter
70	04416706	1	pressure switch
70.10	04415683	1	oil seal 8x1.5
90	0.010.3720.1	1	switch
90.10	04415683	1	oil seal 8x1.5
110	0.900.0466.6	1	gasket
120	0.010.3296.2	2	screw m 6x140
125	0.900.0971.1	2	pin h8x55
130	0.900.0980.4	2	screw 10.9
140	0.010.3298.0	17	screw m 6 x 70
150	0.010.3298.1	3	screw m 6 x 50
160	0.900.1586.6	1	cover
220	0.900.0971.6	4	screw m 6 x 70



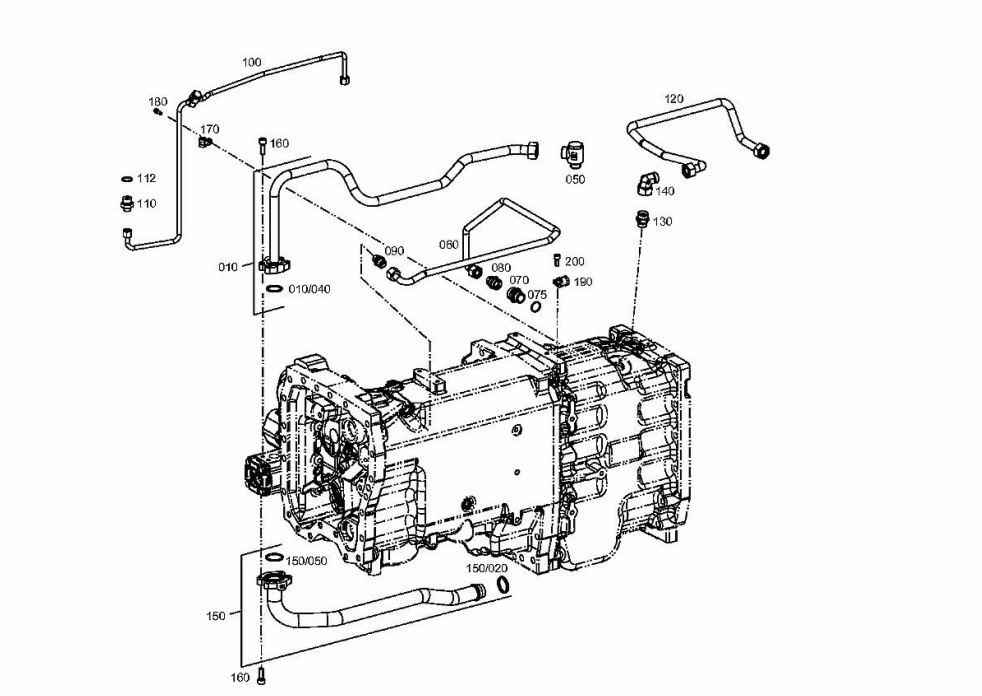
**PUMP DRIVE - 2092 065 004**

Fig.	P/n	QTY	Name
10	0.900.1587.7	1	pump casing
70	0.900.1589.2	1	gear wheel
80	0.900.0884.7	2	gear z=39
90	0.900.1589.1	1	shaft
100	0.900.1586.7	2	ball bearing
110	0.900.1224.7	1	pin 8x20
120	0.900.1585.2	1	ring 31x3
130	0.900.0488.6	1	bush z=38
140	0.010.2877.0	4	ball bearing
142	0.010.2618.0	1	circlip 75x2.5
170	0.900.1589.8	1	bush
180	0.900.1584.5	1	pump
340	04434540	6	screw m 10 x 35
350	0.900.1585.3	2	screw m10x65
360	04328555	2	cylindrical plug 10 m 6x20
410	0.900.1585.4	2	screw m10x25



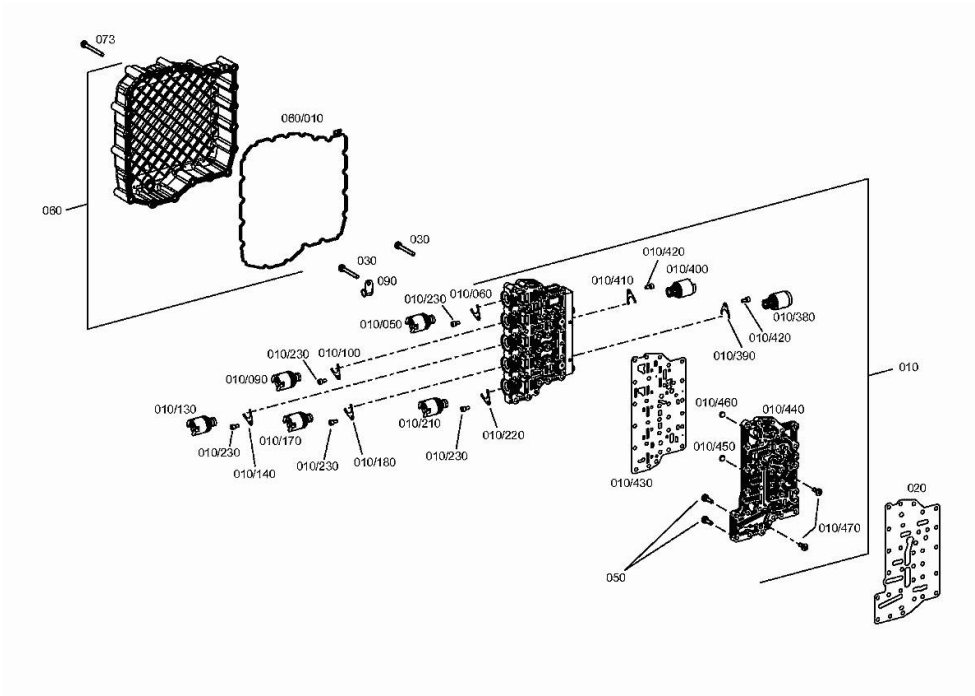
**OIL SUPPLY - 2092 065 004**

Fig.	P/n	QTY	Name
10	0.900.1587.2	1	tube
10.40	0.900.1585.1	1	ring 32.5x3.55
50	0.900.1585.7	1	threaded joint
60	0.900.1587.3	1	tube
70	0.900.1585.8	1	pipe union
75	04436328	1	oil seal 23x2
80	0.900.1585.9	1	reduction unit
90	0.900.1586.0	1	pipe union
100	0.900.1587.4	1	tube
110	0.900.1586.2	1	pipe union
112	04415962	1	oil seal 19x2
120	0.900.1587.5	1	tube
130	0.900.1585.6	1	pipe union
140	0.900.1586.1	1	joint
150	0.900.1587.0	1	tube
150.20	0.900.1584.9	1	ring 34x5.5
150.50	0.900.1585.0	1	ring 37.70x3.55
160	0.900.1585.5	8	screw m10x30
170	0.900.1584.8	1	clamp
180	0.900.0971.5	1	screw m 6x18
190	0.900.1584.7	1	clamp
200	0.900.1242.0	1	screw m8x20



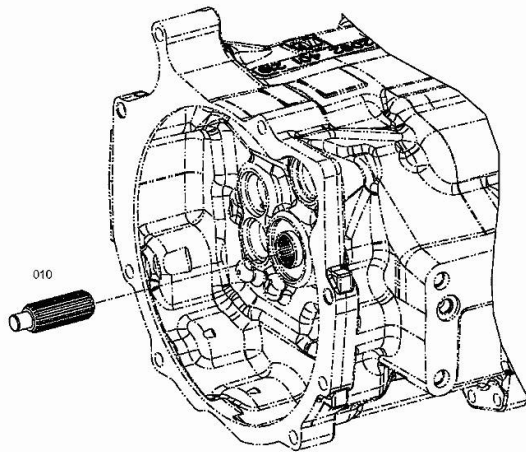
**HYDR. CONTROL - 2092 065 004**

Fig.	P/n	QTY	Name
10	0.900.1587.6	1	hydr. control
10.50	04416685	1	solenoid valve
10.60	04434332	1	plate
10.90	04416685	1	solenoid valve
10.100	04416677	1	stop
10.130	04416685	1	solenoid valve
10.140	04416677	1	stop
10.170	04416685	1	solenoid valve
10.180	04416677	1	stop
10.210	04416685	1	solenoid valve
10.220	04416677	1	stop
10.230	04434505	5	screw m 5x10
10.380	0.010.3299.1	1	solenoid valve
10.390	04434332	1	plate
10.400	0.010.3299.1	1	solenoid valve
10.410	04434332	1	plate
10.420	04434505	2	screw m 5x10
10.430	0.900.1584.1	1	gasket
10.440	0.900.1587.8	1	plate
10.450	0.010.3299.2	1	small mesh
10.460	0.010.3299.2	1	small mesh
10.470	0.010.3301.2	2	screw m 6 x 15
20	0.010.3300.2	1	gasket
30	0.010.3298.1	29	screw m 6 x 50
50	0.010.3301.1	2	screw m 6 x 20
60	0.900.0302.5	1	cap
60.10	0.900.0302.6	1	gasket
73	0.010.3755.1	11	screw m 6 x 60
90	0.010.3774.0	1	clamp



**DRIVE SHAFT - 2092 065 004**

Fig.	P/n	QTY	Name
10	0.010.3291.1	1	shaft





**Suggest:**

**For more complete manuals. Please go to the home page.**

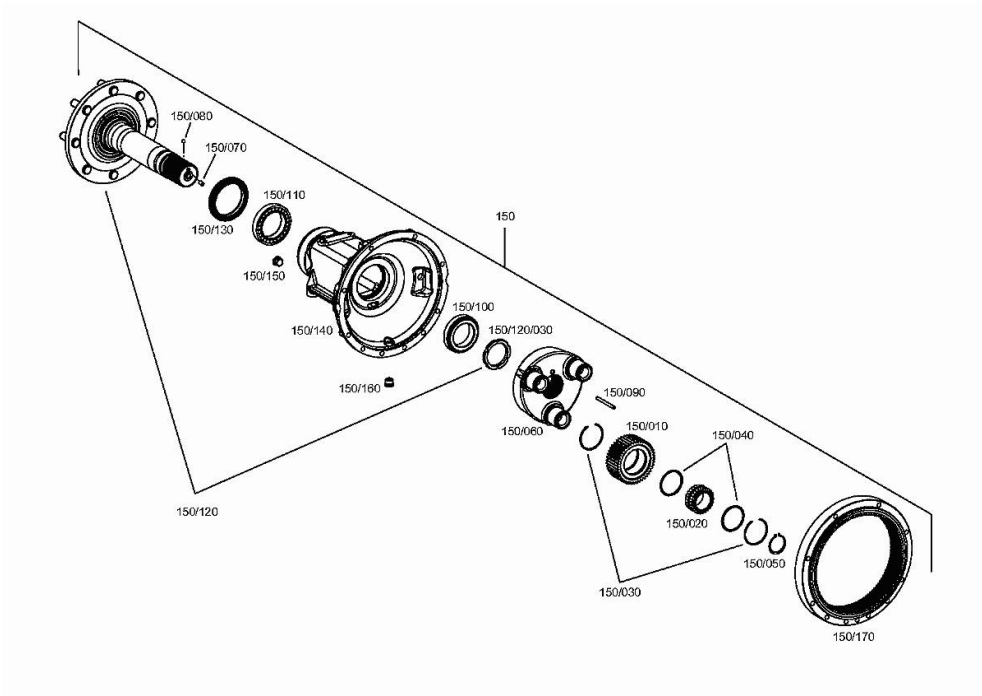
**<https://www.ebooklibonline.com>**

**If the above button click is invalid. Please download this document first, and then click the above link to download the complete manual.**

**Thank you so much for reading**

**REAR AXLE - 2092 065 004**

Fig.	P/n	QTY	Name
150	0.900.1588.0	2	support
150.10	0.900.1588.5	3	planet gear z=44
150.20	0.900.0282.8	3	roller bearing
150.30	0.900.0278.1	6	circlip
150.40	0.900.0282.6	6	slewing ring 72x80.8x1
150.50	0.900.0289.5	3	circlip 55x2
150.60	0.900.0956.9	1	spider
150.70	0.010.3588.2	1	grub screw m 10x16
150.80	04417322	1	ball
150.90	0.900.0278.3	1	roll pin 8x90
150.100	0.900.0283.0	1	roller bearing
150.110	0.900.0953.7	1	roller bearing
150.120	0.900.1588.1	1	shaft z=33
150.120.30	0.900.1586.3	1	ring nut
150.130	0.010.3643.0	1	ring
150.140	0.900.0957.5	1	support
150.150	0.900.0001.8	2	plug
150.160	0.010.3849.0	1	plug
150.170	0.900.1365.3	1	crown wheel Z = 105



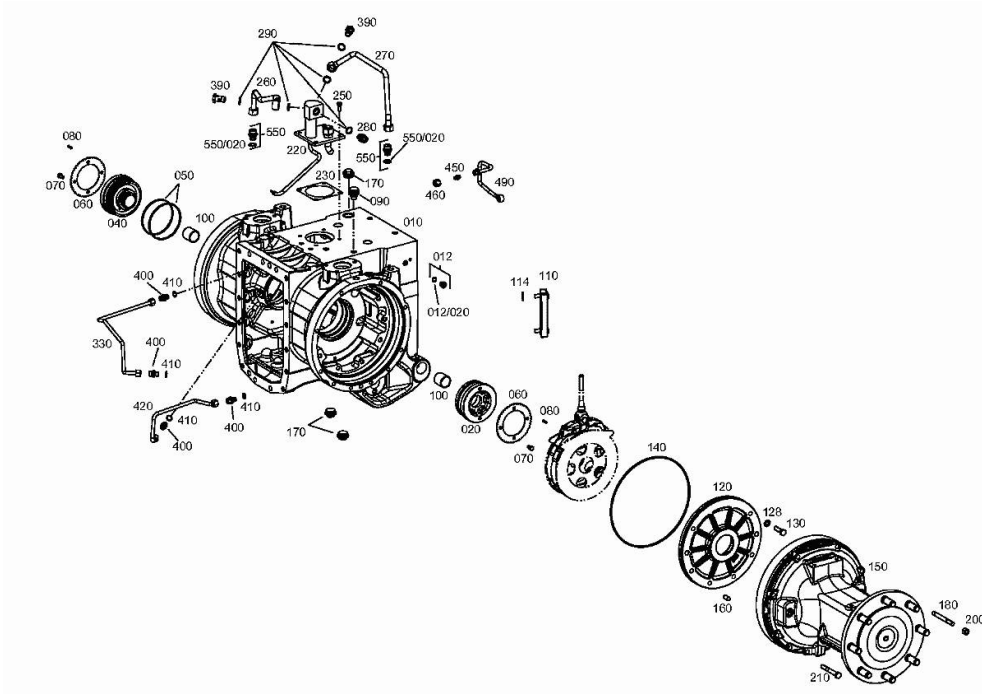
**IRON 115 DCR 4V CONTINUO**

Section: D0 - TRANSMISSION

Ref: 0.017.9765.4/30

**GEARBOX - 2092 065 004**

Fig.	P/n	QTY	Name
10	0.900.1589.9	1	box
12	04434494	2	screw
12.20	0.010.2627.1	1	oil seal 11x2
20	04428944	1	register
40	04428945	1	register
50	0.900.0278.7	2	ring
60	04417449	2	plate
70	04435695	4	screw m 8 x 16
80	04435703	2	pin 5 x 20
90	04417453	1	plug
100	04417451	2	bushing
110	0.900.1583.8	1	level indicator
114	04423732	2	rubber plug
120	0.900.1589.0	2	transmission brake
128	0.900.0277.9	4	washer
130	0.900.0279.7	16	screw m 12 x 40
140	04428220	2	oil seal 305x4
150	0.900.1588.0	2	support
160	0.900.0278.2	2	pin 12 x 24
170	0.010.3849.1	3	plug
180	04423326	4	screw
200	0.900.0281.4	4	nut m 12
210	04428019	16	screw
220	0.900.0287.4	1	tube
230	0.010.2897.1	1	gasket
250	0.010.2874.0	4	screw m 8 x 22
260	0.900.0287.5	1	tube
270	0.900.0287.6	1	tube
280	0.900.0282.3	1	pipe union
290	0.900.0985.0	5	oil seal 18 x 24
330	04428942	1	tube
390	0.900.0282.0	2	screw
400	04417466	4	pipe fitting
410	04423731	5	oil seal 14 x 18
420	04417478	1	tube
450	0.010.3101.1	1	plug
460	04417788	1	nut
490	0.900.0490.8	1	tube
550	0.900.1392.0	2	pipe fitting
550.20	0.900.1239.4	1	oil seal 15.3x2.4



**<https://www.ebooklibonline.com>**

Hello dear friend!

Thank you very much for reading.

Enter the link into your browser.

The full manual is available for immediate download.

**<https://www.ebooklibonline.com>**