

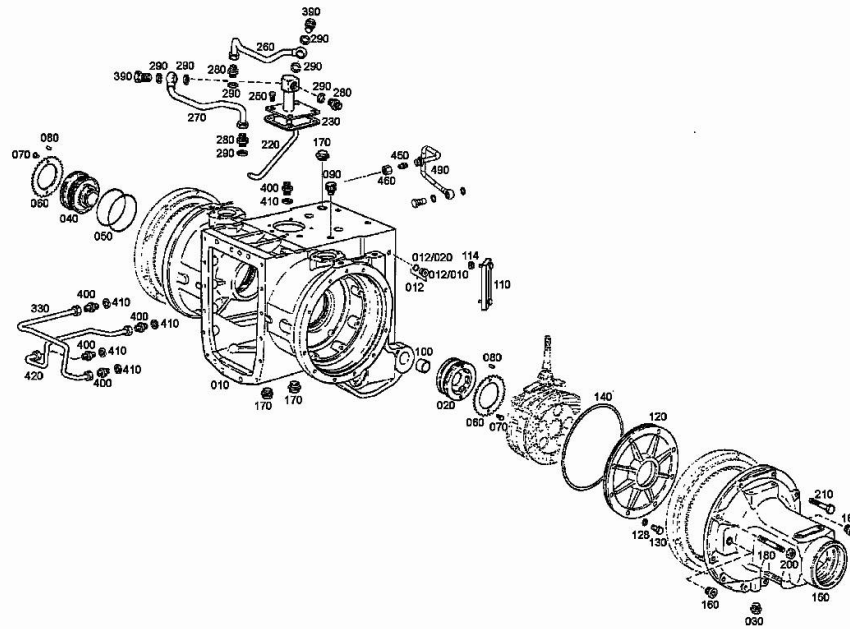
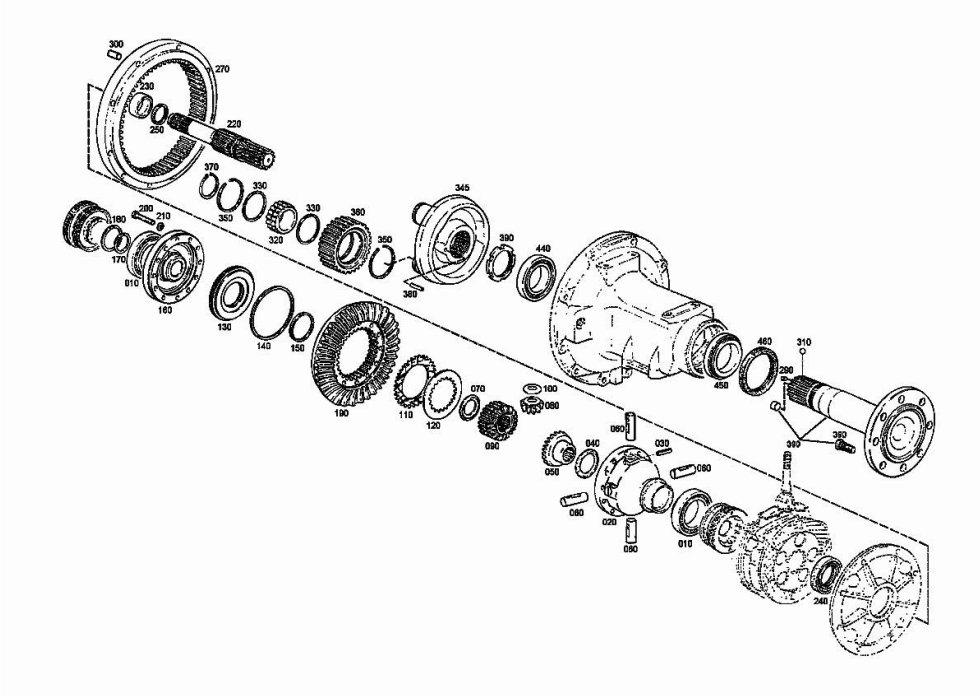
REAR GEARBOX CASE - 2095 009 054

Fig.	P/n	QTY	Name
10	0.900.0288.2	1	gear box
12	0.000.0000.1	2	cannot be supplied
12.10	0.900.0291.4	2	plug m 14 p.1.5
12.20	0.010.2627.1	2	oil seal 11x2
20	04428944	1	register
30	0.010.3849.0	2	plug
40	04428945	1	register
50	0.900.0278.7	2	ring
60	04417449	2	plate
70	04435695	4	screw m 8 x 16
80	04435703	2	pin 5 x 20
90	04417453	1	plug
100	04417451	2	bushing
110	04419731	1	level indicator
114	04423732	2	rubber plug
120	04428583	2	plate
128	0.900.0277.9	4	washer
130	0.900.0279.7	16	screw m 12 x 40
140	04428220	2	oil seal 305x4
150	0.900.0957.5	2	support
160	0.900.0001.8	4	plug
170	0.010.3849.1	3	plug
180	04423326	4	screw
200	0.900.0281.4	4	nut m 12
210	04423325	16	screw
220	0.900.0287.4	1	tube
230	0.010.2897.1	1	gasket
250	0.010.2874.0	4	screw m 8 x 22
260	0.900.0287.5	1	tube
270	0.900.0287.6	1	tube
280	0.900.0282.3	3	pipe union
290	0.900.0290.5	7	circlip
290	0.900.0985.0	7	oil seal 18 x 24
330	04428942	1	tube
390	0.900.0282.0	2	screw
400	04417466	5	pipe fitting
410	04423731	5	oil seal 14 x 18
420	04417478	1	tube
450	0.010.3101.1	1	plug
460	04417788	1	nut
490	0.900.0490.8	1	tube

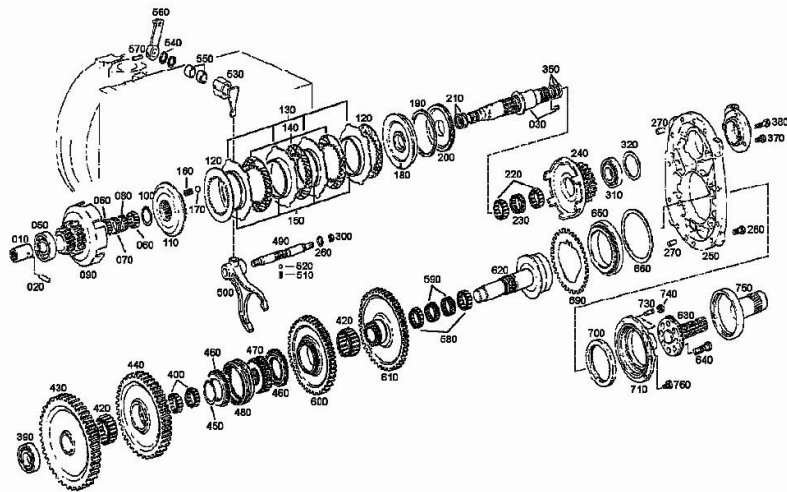
REAR DIFFERENTIAL AND HALF-SHAFTS - 2095 009 054

Fig.	P/n	QTY	Name
10	0.010.3580.1	2	roller bearing
20	0.010.3457.1	1	differential carrier
30	0.010.3349.0	4	roll pin 8 x 40
50	04417296	1	gear
60	0.010.3457.2	4	axle
70	0.900.0498.2	1	slewing ring
80	0.900.0288.9	4	planet gear
90	04417301	1	bearing
100	0.900.0288.8	4	slewing ring
110	0.010.3702.2	8	thin plate
120	04417303	7	thin plate
130	0.900.0025.0	1	piston
140	0.900.0124.1	1	oil seal
150	0.900.0268.5	1	oil seal 69 x 3
160	04417310	1	box
170	0.900.0800.7	1	ring 55 x 2.5
180	0.900.0800.8	1	ring 70 x 3.0
190	0.900.0956.8	1	bevel ring gear
200	0.010.3729.2	12	screw m 12 x 80
210	0.900.0277.9	12	washer
220	0.010.3460.0	2	pinion
230	04417315	2	bushing
240	04417316	2	oil seal
250	0.900.0278.9	2	ring 54 x 2.5
270	04431673	2	crown wheel
290	0.010.3588.2	2	grub screw m 10x16
300	0.900.0278.2	2	pin 12 x 24
310	04309268	2	ball
320	0.900.0282.8	6	roller bearing
330	0.900.0282.6	12	slewing ring 72x80.8x1
345	0.900.0956.9	2	spider
350	0.900.0278.1	12	circlip
360	04417608	6	planet gear
380	0.900.0278.3	2	roll pin 8x90
390	0.900.0489.3	2	shaft
390	0.900.1586.3	2	ring nut
390	04439237	8	wheel stud
440	0.900.0283.0	2	roller bearing
450	0.900.0953.7	2	roller bearing
460	0.010.3643.0	2	ring



Section: D0 - TRANSMISSION
P.T.O. SHAFT - 2095 009 054

Fig.	P/n	QTY	Name
10	04421009	1	sleeve
20	0.900.0290.1	1	roll pin
30	0.900.0058.5	1	shaft
50	04428566	1	bearing
60	04417336	2	roller cage
70	04417337	1	roller cage
80	04417338	3	roller cage
90	0.900.0287.7	1	gear
100	0.010.3724.2	1	circlip 40 x 1.75
110	04417342	1	plate carrier
120	04417343	2	ring
130	04417344	4	ring
140	0.900.0288.7	3	disc
150	04423819	4	spring
160	04417347	8	spring
170	04415830	8	ball 12 mm
180	04417348	1	cylinder
190	0.900.0278.6	1	ring
200	0.900.0125.1	1	piston
210	0.900.0879.0	2	ring
220	04417383	2	roller cage
230	04417353	1	roller cage
240	0.900.0287.8	1	gear
250	04417355	1	cover
260	0.900.0278.8	1	oil seal
270	04328555	2	cylindrical plug 10 m 6x20
280	0.900.0279.9	11	screw m 10 x 30
300	0.010.3358.0	1	nut m 10
310	0.900.0279.2	1	roller bearing
320	0.000.0000.1	1	cannot be supplied
320	04417360	1	shim s = 0.10
320	04417361	1	shim s = 0.15
320	04417362	1	shim s = 0.40
350	04423359	3	ring
370	0.900.0291.0	4	screw
380	0.900.0280.0	1	screw m 8 x 45
390	04428566	1	bearing
400	04417336	2	roller cage
420	04417368	2	roller cage
430	0.900.0288.3	1	gear
440	04417370	1	gear wheel
450	0.010.3347.1	1	circlip 38x2.5
460	04423336	2	driver
470	04423335	1	support



<https://www.ebooklibonline.com>

Hello dear friend!

Thank you very much for reading.

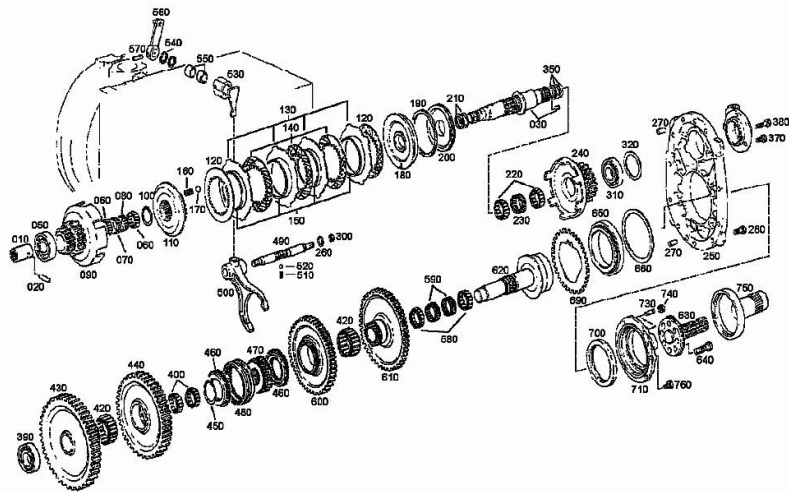
Enter the link into your browser.

The full manual is available for immediate download.

<https://www.ebooklibonline.com>

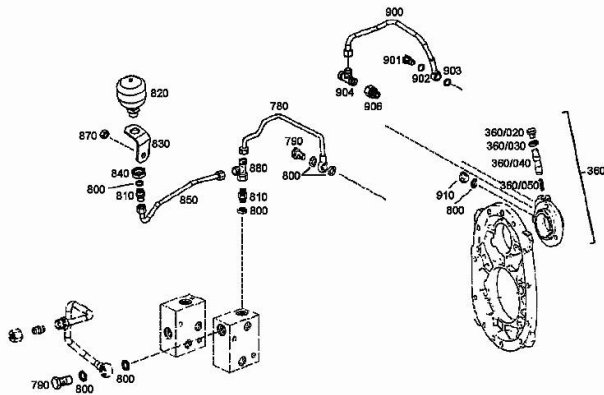
Section: D0 - TRANSMISSION
P.T.O. SHAFT - 2095 009 054

Fig.	P/n	QTY	Name
480	04423337	1	sleeve
490	04424371	1	lever
500	0.010.3701.2	1	fork
510	04417378	1	spring
520	04415909	1	ball
530	04417379	1	small lever
540	0.900.0278.5	2	ring 20x3.5
550	04417381	2	bushing
560	0.900.0294.2	1	lever
570	0.900.0290.2	1	roll pin
580	04417383	2	roller cage
590	04417384	2	roller cage
600	0.900.0288.5	1	gear
610	0.900.0288.4	1	gear
620	0.900.0957.0	1	shaft
630	04417388	1	shaft
640	0.010.3293.0	8	screw m 12 x 50
650	0.900.0282.9	1	roller bearing
660	0.000.0000.1	1	cannot be supplied
660	04417391	1	shim s = 0.10
660	04417392	1	shim s = 0.15
660	04417393	1	shim s = 0.40
690	04439236	1	gear
700	04417395	1	oil seal 94x118x12
710	04417438	1	cover
730	0.900.0281.3	4	stud bolt m 8 x 35
740	0.900.0281.5	4	nut m 8
750	04417440	1	guard
760	04434498	2	screw m 8 x 25
840	0.900.0953.6	1	nut



Section: D0 - TRANSMISSION
P.T.O. SHAFT - 2095 009 054

Fig.	P/n	QTY	Name
360	0.010.3229.0	1	cover
360.20	04417591	1	plug
360.30	04436331	1	oil seal 16 x 20
360.40	04424374	1	piston
360.50	04417367	1	spring
780	0.010.3455.2	1	pipng
790	0.900.0282.1	2	pipe union
800	04423731	7	oil seal 14 x 18
810	04417466	2	pipe fitting
820	04439224	1	accumulator
830	0.010.3456.0	1	angular
840	0.900.0953.6	1	nut
850	0.900.0490.9	1	tube
870	0.900.0281.4	1	nut m 12
880	04417783	1	pipe fitting
900	0.900.0283.5	1	tube
901	04427560	1	pipe union
902	0.900.0290.6	1	circlip
903	04436331	1	oil seal 16 x 20
904	04431782	1	threaded joint
906	0.900.0282.4	1	pipe union
910	0.900.0280.7	1	stop



SERVICE BRAKES - 2095 009 054

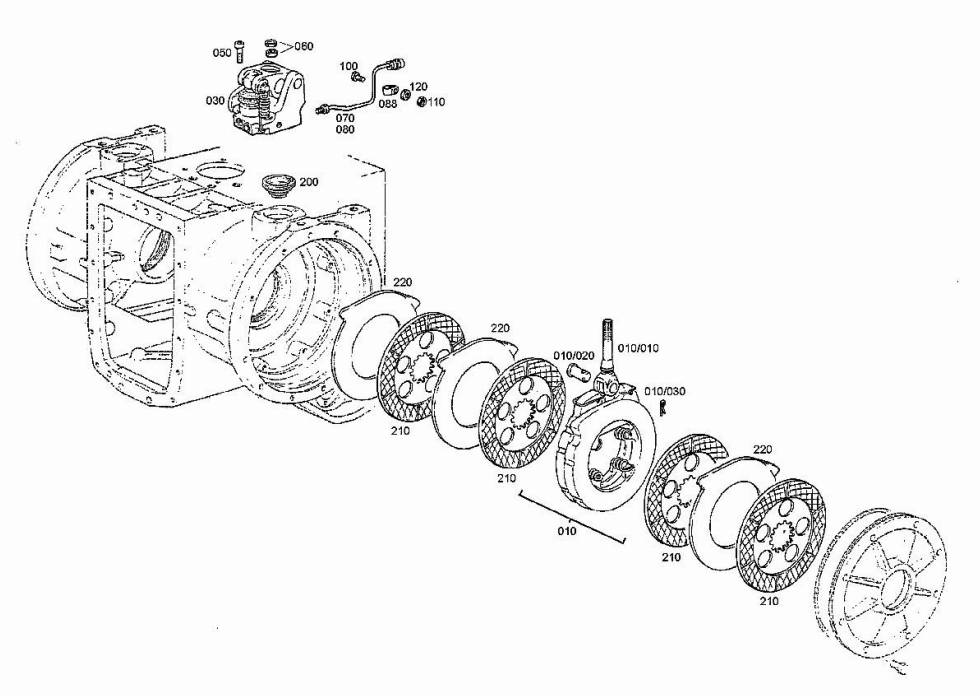
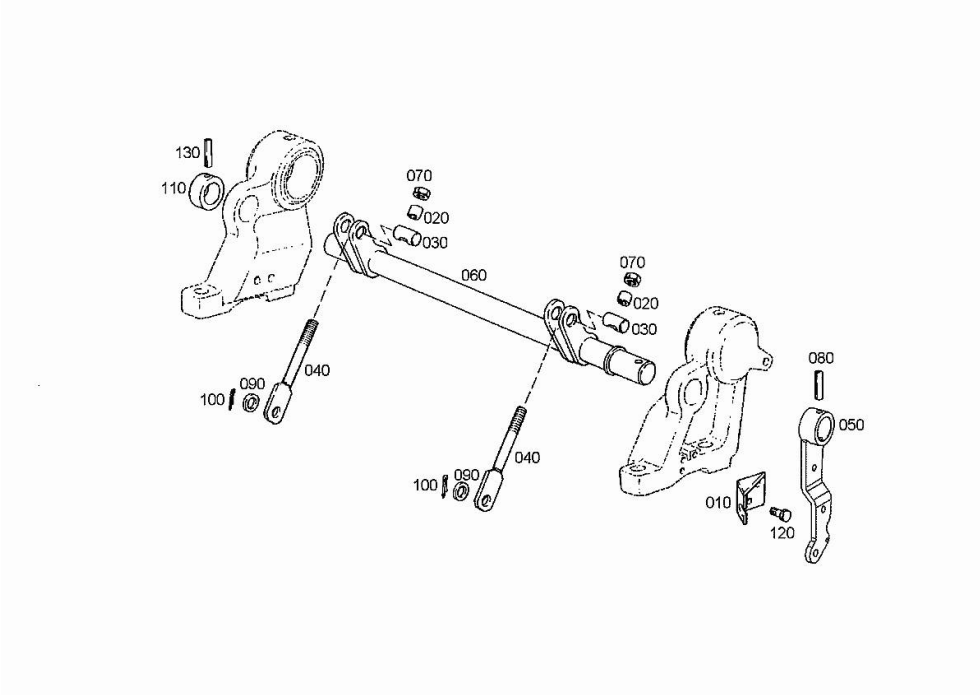


Fig.	P/n	QTY	Name
10	0.900.0800.4	2	transmission brake
10.10	0.900.0801.0	2	rod
10.20	04435740	2	pin
10.30	0.900.0801.1	2	split pin
30	0.900.0800.5	2	operation
50	0.900.0469.7	6	screw m 10 x 40
60	04434557	4	nut m 14 p.1.5
70	04428558	1	tube sx/lb/li
80	04428559	1	tube dx/rh/re
88	0.900.0468.2	2	clamp 6x12
100	0.900.0280.1	2	screw m 5 x 25
110	0.900.0470.2	2	nut m 5
120	0.900.0281.6	2	nut
200	0.900.0800.9	2	rubber bushing
210	0.900.0801.2	8	disc
220	0.900.0801.3	6	disc

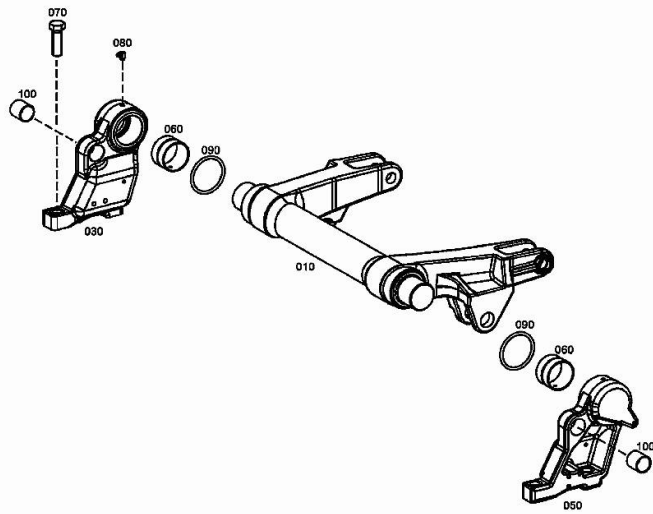
BRAKE CONTROLS - 2095 009 054

Fig.	P/n	QTY	Name
10	0.010.2901.2	1	support
20	0.010.2902.0	2	bushing
30	0.010.2902.1	2	pin
40	0.010.3458.2	2	connecting rod
50	0.900.0466.8	1	brake lever
60	0.010.3459.0	1	shaft
60	0.900.0955.8	1	shaft
70	0.900.0281.9	2	nut m 12
80	0.010.3459.1	2	roll pin
90	0.900.0466.9	2	washer
100	0.900.0468.1	2	split pin 3.2x18
110	0.010.2904.2	1	ring (...) <-
110	0.900.0957.7	1	ring > (...)
120	0.900.0469.4	3	screw m 8 p.1.25 x 20
130	0.900.0290.0	1	roll pin



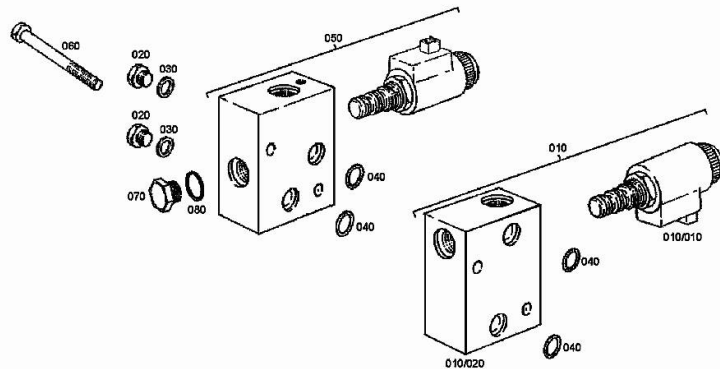
LIFTING - 2095 009 054

Fig.	P/n	QTY	Name
10	0.900.0824.6	1	shaft
30	0.900.0802.9	1	bearing block dx/rh/re
50	0.900.0803.0	1	bearing block sx/lh/li
60	04417549	2	special bushing
70	0.900.0469.1	4	screw m 20x65
80	0.900.0498.6	2	grease gun
90	04417552	2	ring 78.5x6
100	0.010.3844.1	2	bearing



DRIVE FOR GEAR CHANGE BOX - 2095 009 054

Fig.	P/n	QTY	Name
10	0.900.0952.1	1	control
20	04434512	2	plug m 10 p.1
30	0.900.0290.7	2	circlip
40	0.900.0801.4	4	ring 11,3 x 2,4 NBR-70-10
50	0.010.2628.2	1	control (...) <-
50	0.900.0993.3	1	control >- (...)
60	0.900.0279.5	2	screw
70	0.900.0281.0	1	plug m 14 p.1.5
80	04423731	1	oil seal 14 x 18





Suggest:

For more complete manuals. Please go to the home page.

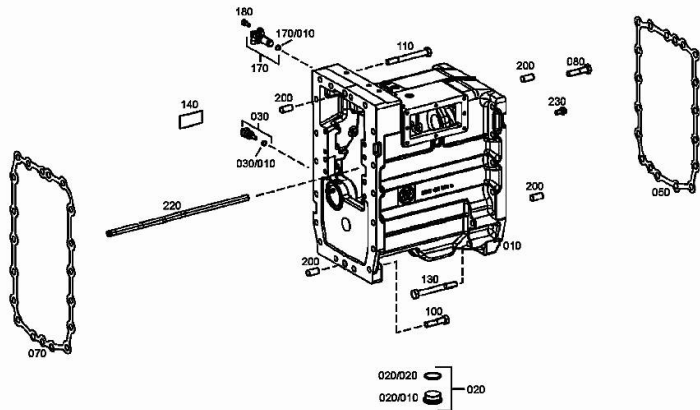
<https://www.ebooklibonline.com>

If the above button click is invalid. Please download this document first, and then click the above link to download the complete manual.

Thank you so much for reading

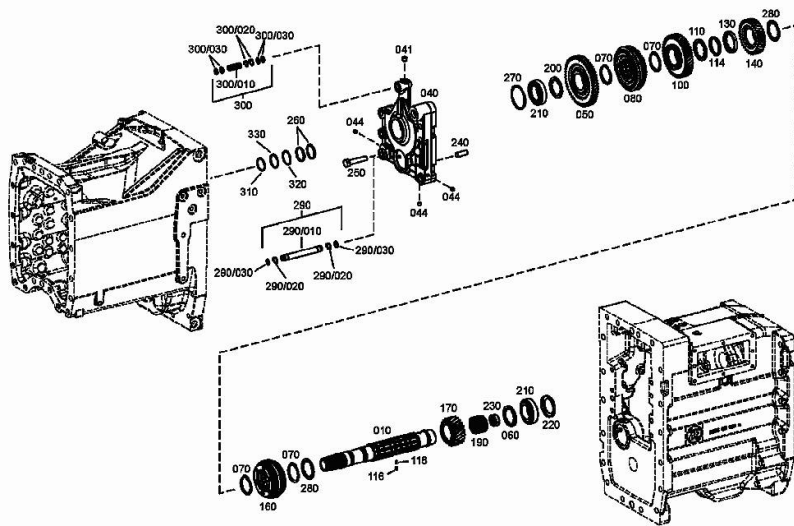
Section: D0 - TRANSMISSION
GEARBOX - 2095 009 046

Fig.	P/n	QTY	Name
10	0.900.0284.3	1	gear box
10	0.900.0956.0	1	gear box
20	0.000.0000.1	1	cannot be supplied
20.10	04438472	1	plug m 42 p.1.5
20.20	02315144	1	oil seal 38x2.5
30	0.900.0800.6	1	temperature gauge
30.10	0.900.0801.6	1	ring 11x2 ZFN 744 FPM-80-10
50	0.000.0000.1	1	cannot be supplied
50	04416085	1	gasket mm 0.25
50	04416086	1	gasket mm 0.20
70	04416087	1	gasket
80	0.900.0290.9	5	screw m 14 x 60
100	0.900.0290.9	20	screw m 14 x 60
110	0.010.3354.1	6	screw m 14x130
130	0.010.3354.1	4	screw m 14x130
140	04416088	1	number plate
170	04438450	1	speed sensor L = 53,0mm
170.10	04417747	1	oil seal 15.54x2.62
180	04434551	1	screw m 8 p.1.25 x 20
200	04416090	4	cylindrical plug 16 m 6x30
220	0.010.3437.0	1	flexible hose
230	04416628	1	screw



Section: D0 - TRANSMISSION
LAYSHAFT - 2095 009 046

Fig.	P/n	QTY	Name
10	0.900.0284.6	1	shaft - UP TO ZF GEARBOX SERIAL NO.: 1760792
10	0.900.0956.3	1	shaft - FROM ZF GEARBOX SERIAL NO.: 1760793
40	0.900.0284.0	1	support
41	0.010.3780.2	1	plug
44	04415909	3	ball
50	0.900.0284.4	1	gear z = 53 - UP TO ZF GEARBOX SERIAL NO.: 1760792
50	0.900.0956.2	1	gear - FROM ZF GEARBOX SERIAL NO.: 1760793
60	04416108	1	shim mm 3.2
70	04416096	4	circlip
80	0.900.0277.7	1	lock synchronizer - UP TO ZF GEARBOX SERIAL NO.: 1760792
100	04438441	1	gear Z = 41
110	04416099	1	shim mm 4.0
114	04416100	1	ring
116	04416101	1	pin 4x8
118	04416102	1	pin 2.5x8
130	04416103	1	shim
140	0.900.0284.5	1	gear - UP TO ZF GEARBOX SERIAL NO.: 1760792
140	0.900.0956.1	1	gear - FROM ZF GEARBOX SERIAL NO.: 1760793
160	0.900.0462.5	2	lock synchronizer
170	0.900.0284.7	1	gear wheel
190	04416107	1	roller cage
200	0.000.0000.1	1	cannot be supplied
200	0.010.3418.0	1	washer mm 3.3
200	0.900.0293.2	1	slewing ring mm 3.4
200	04416108	1	shim mm 3.2
200	04416109	1	shim mm 3.5
210	04416948	2	bearing
220	04416111	1	plate
230	04416112	1	bearing
240	04395747	2	cylindrical plug 12 m 6x30
250	0.010.3354.2	6	screw m 12 x 60
260	04335064	2	oil seal 34x3
270	0.000.0000.1	1	cannot be supplied
270	04417246	1	shim mm 1.00
270	04417247	1	shim mm 1.05
270	04417248	1	shim mm 1.10
270	04417249	1	shim mm 1.15



<https://www.ebooklibonline.com>

Hello dear friend!

Thank you very much for reading.

Enter the link into your browser.

The full manual is available for immediate download.

<https://www.ebooklibonline.com>