

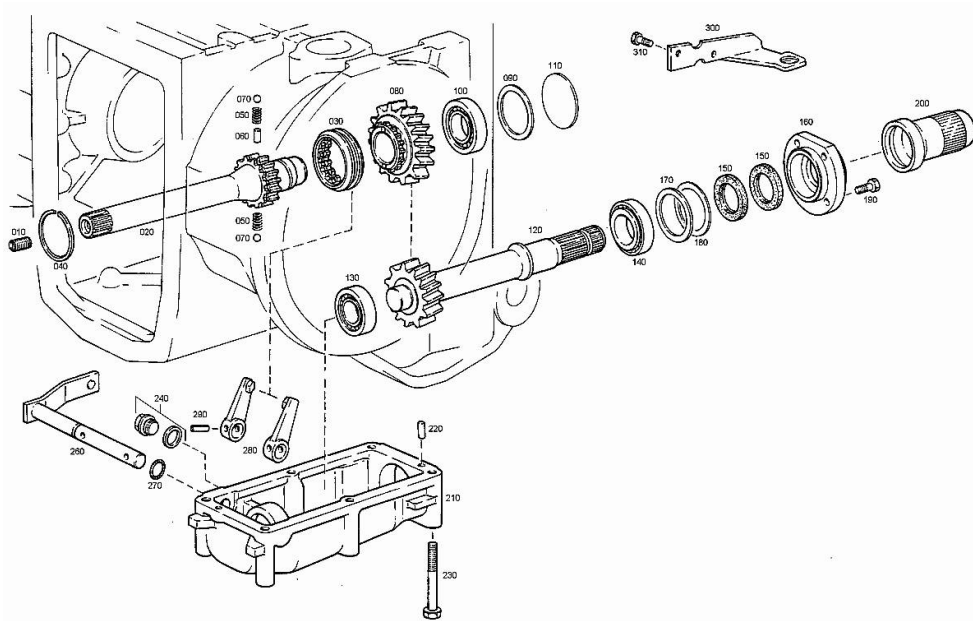
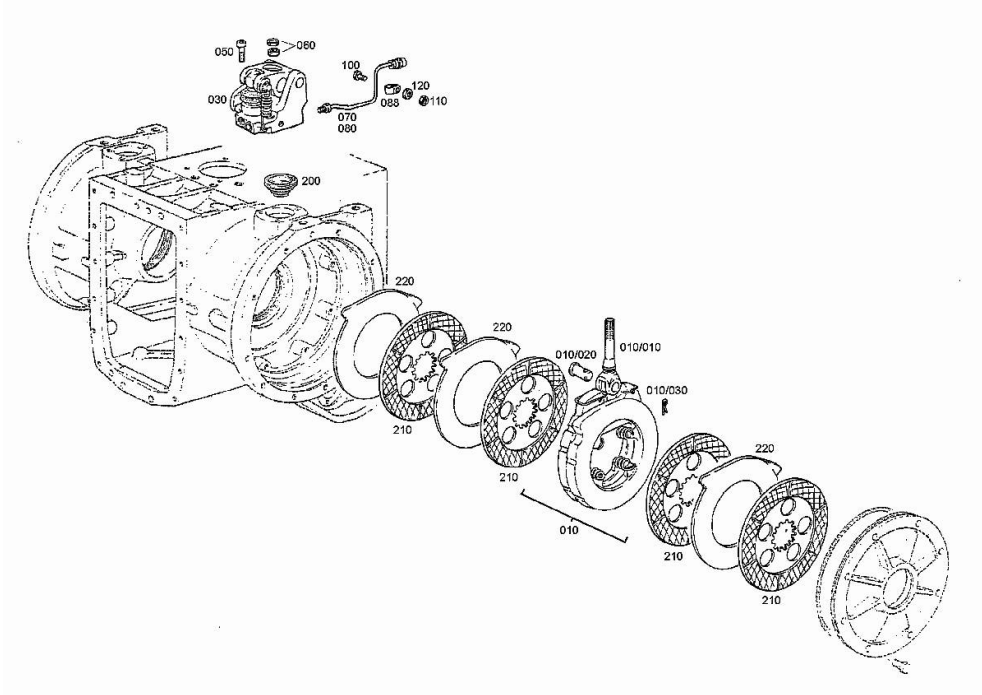
ROAD P.T.O. SHAFT - 2095 009 042

Fig.	P/n	QTY	Name
10	04417486	1	pin
20	04417487	1	transmission shaft
30	04417488	1	sleeve
40	0.900.0278.0	1	circlip
50	04417378	2	spring
60	0.900.0953.2	1	cylindrical plug m 6 x 15
70	04415909	2	ball
80	04417491	1	gear wheel
90	0.000.0000.1	1	cannot be supplied
90	04417360	1	shim s = 0.10
90	04417361	1	shim s = 0.15
90	04417362	1	shim s = 0.40
100	0.900.0279.3	1	roller bearing
110	04417494	1	cover
120	04417495	1	shaft
130	04436234	1	roller bearing
140	04416948	1	bearing
150	04417498	2	ring
160	04417499	1	cover
170	0.010.3343.2	1	small block 55x68x0.5
180	0.010.3343.1	1	small block 55x68x0.1
190	0.900.0291.0	4	screw
200	04417500	1	guard
210	04417501	1	box
220	0.900.0953.2	2	cylindrical plug m 6 x 15
230	0.900.0279.6	6	screw
240	0.010.3847.2	1	stop
260	0.010.3454.1	1	shaft
270	0.900.0278.8	1	oil seal
280	04417505	2	lever
290	0.010.3348.1	2	roll pin 8x26
300	0.010.3455.0	1	plate
310	0.900.0469.5	2	screw m 8 x 100

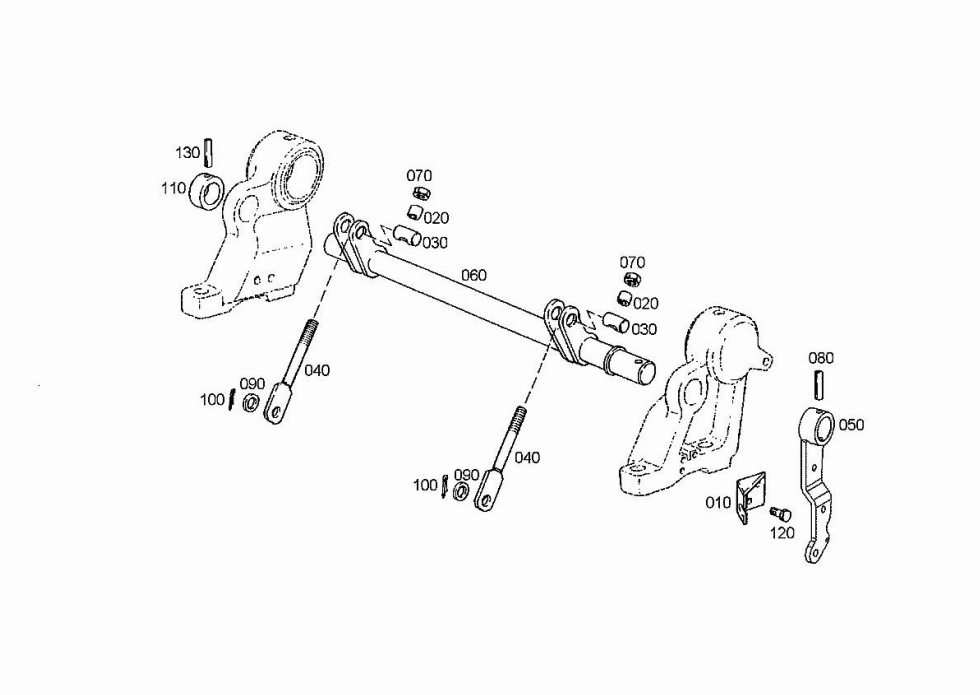
SERVICE BRAKES - 2095 009 042

Fig.	P/n	QTY	Name
10	0.900.0800.4	2	transmission brake
10.10	0.900.0801.0	2	rod
10.20	04435740	2	pin
10.30	0.900.0801.1	2	split pin
30	0.900.0800.5	2	operation
50	0.900.0469.7	6	screw m 10 x 40
60	04434557	4	nut m 14 p.1.5
70	04428558	1	tube sx/lb/li
80	04428559	1	tube dx/rh/re
88	0.900.0468.2	2	clamp 6x12
100	0.900.0280.1	2	screw m 5 x 25
110	0.900.0470.2	2	nut m 5
120	0.900.0281.6	2	nut
200	0.900.0800.9	2	rubber bushing
210	0.900.0801.2	8	disc
220	0.900.0801.3	6	disc



BRAKE CONTROLS - 2095 009 042

Fig.	P/n	QTY	Name
10	0.010.2901.2	1	support
20	0.010.2902.0	2	bushing
30	0.010.2902.1	2	pin
40	0.010.3458.2	2	connecting rod
50	0.900.0466.8	1	brake lever
60	0.010.3459.0	1	shaft
60	0.900.0955.8	1	shaft
70	0.900.0281.9	2	nut m 12
80	0.010.3459.1	2	roll pin
90	0.900.0466.9	2	washer
100	0.900.0468.1	2	split pin 3.2x18
110	0.010.2904.2	1	ring (...) <-
110	0.900.0957.7	1	ring > (...)
120	0.900.0469.4	3	screw m 8 p.1.25 x 20
130	0.900.0290.0	1	roll pin



<https://www.ebooklibonline.com>

Hello dear friend!

Thank you very much for reading.

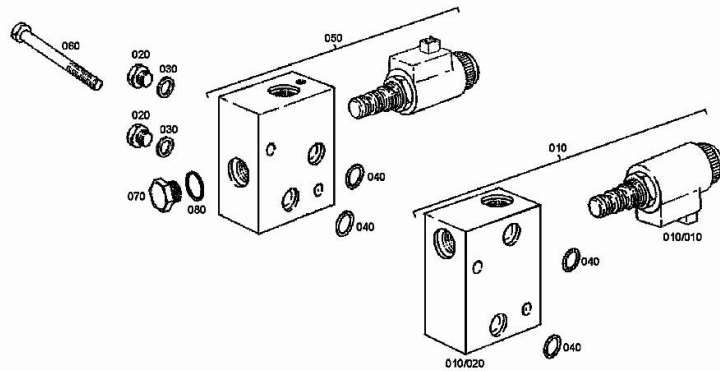
Enter the link into your browser.

The full manual is available for immediate download.

<https://www.ebooklibonline.com>

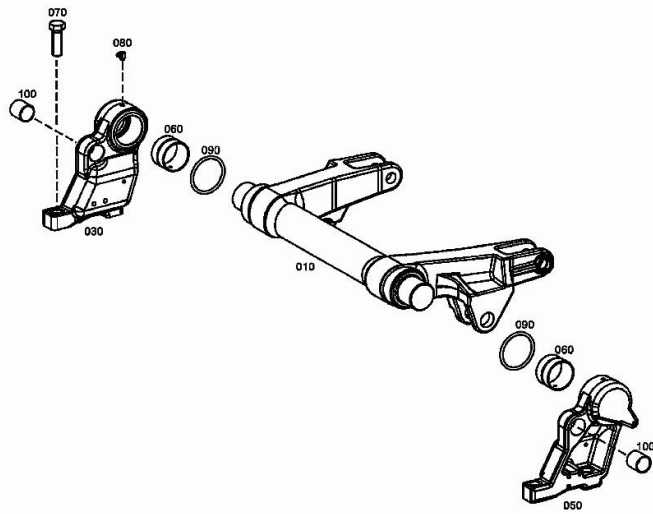
DRIVE FOR GEAR CHANGE BOX - 2095 009 042

Fig.	P/n	QTY	Name
10	0.900.0952.1	1	control
20	04434512	2	plug m 10 p.1
30	0.900.0290.7	2	circlip
40	0.900.0801.4	4	ring 11,3 x 2,4 NBR-70-10
50	0.010.2628.2	1	control (...) <-
50	0.900.0993.3	1	control >- (...)
60	0.900.0279.5	2	screw
70	0.900.0281.0	1	plug m 14 p.1.5
80	04423731	1	oil seal 14 x 18



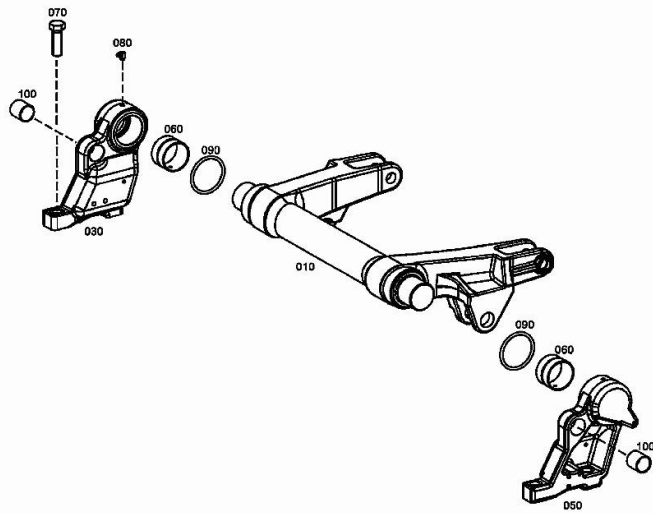
LIFTING - 2095 009 042

Fig.	P/n	QTY	Name
10	0.900.0824.6	1	shaft
30	0.900.0802.9	1	bearing block dx/rh/re
50	0.900.0803.0	1	bearing block sx/lh/li
60	04417549	2	special bushing
70	0.900.0469.1	4	screw m 20x65
80	0.900.0498.6	2	grease gun
90	04417552	2	ring 78.5x6
100	0.010.3844.1	2	bearing



LIFTING - 2095 009 042

Fig.	P/n	QTY	Name
10	0.900.0824.6	1	shaft
30	0.900.0802.9	1	bearing block dx/rh/re
50	0.900.0803.0	1	bearing block sx/lh/li
60	04417549	2	special bushing
70	0.900.0469.1	4	screw m 20x65
80	0.900.0498.6	2	grease gun
90	04417552	2	ring 78.5x6
100	0.010.3844.1	2	bearing

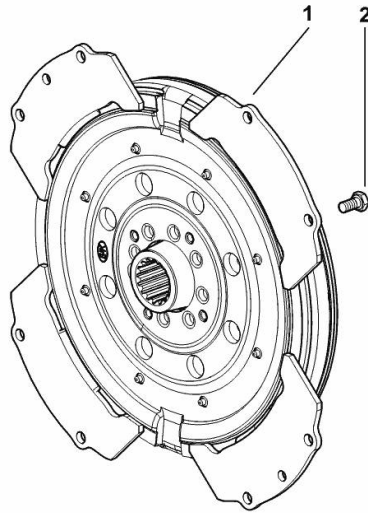


FLEXIBLE COUPLINGS

Fig.	P/n	QTY	Name
------	-----	-----	------

Notes:
[IRON 100]

1	04454057.4	1	flex coupling (6047 <-)
1	04455029	1	flexible coupling (-> 6048)
2	01112418	6	screw m 10 x 25, d933 (6047 <-)
2	2.0114.205.2	8	screw m 8 p.1.25 x 16 (-> 6048)



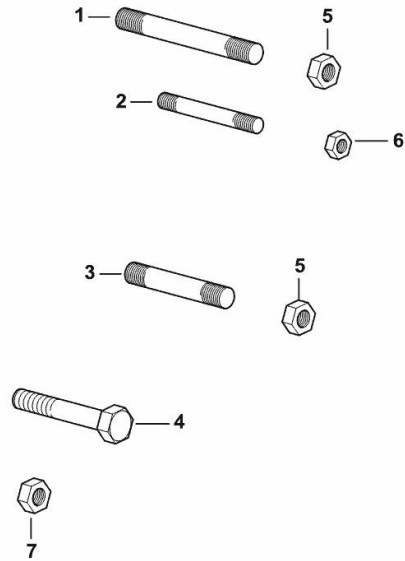
K9_A3930_01_0-A-001

FIXING PARTS - MOTOR - GEARS

Fig.	P/n	QTY	Name
------	-----	-----	------

Notes:
[IRON 100]

1	2.0439.288.6	2	stud bolt m 16 p.2x140
2	2.0439.289.6	2	stud bolt m 12 p.1.75x100
3	2.0439.290.6	2	stud bolt m 16 p.2x120
4	2.0119.288.6	2	screw m16x100 d931
5	2.1012.109.7	4	nut m 16
6	2.1012.107.7	2	nut m 12
7	01101323	16	nut m 18 p.1.5



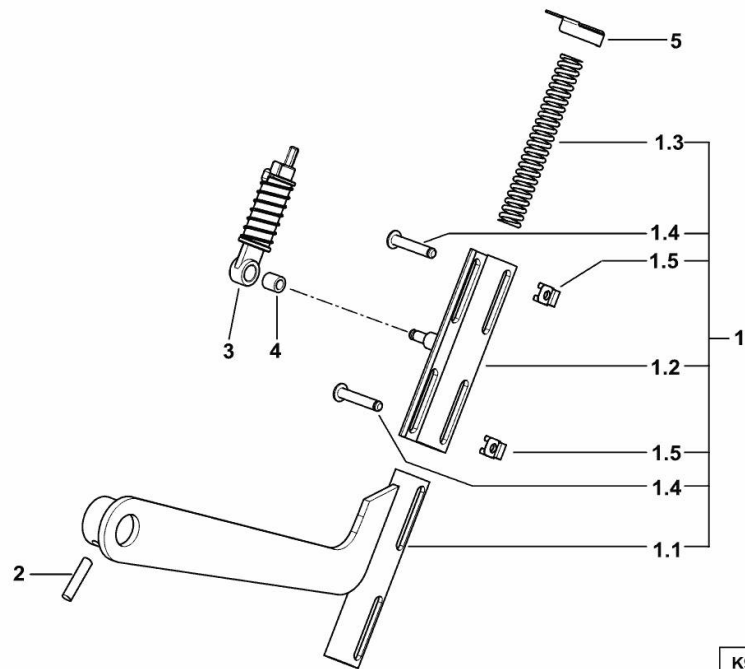
K9_A3931_01_0-A-001

SUPER CREEPER - REDUCTION GEAR UNIT CONTROLS

Fig.	P/n	QTY	Name
------	-----	-----	------

Notes:
[IRON 100]

1	04453587.4/20	1	lever
1.1	04453287.3/10	1	lever
1.2	04415462.4	1	tube
1.3	04414550	1	spring
1.4	04415461	2	pin
1.5	01175740	2	clip
2	2.1630.752.2	1	pin 8 x 30
3	04415468	1	stop
4	04415469	1	clip
5	04418159	2	circlip

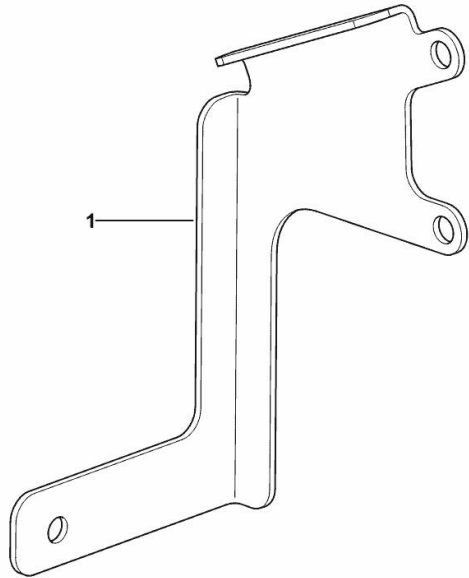


BRACKET

Fig.	P/n	QTY	Name
------	-----	-----	------

Notes:
[IRON 100]

1	04455291	1	bracket
---	----------	---	---------



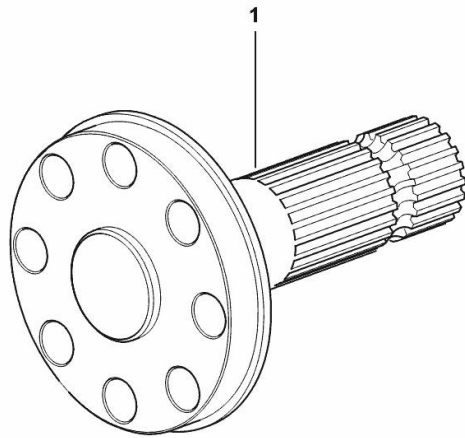
K9_B1631_10_0-A-001

PTO OUTPUT SHAFT Z = 21

Fig.	P/n	QTY	Name
------	-----	-----	------

Notes:
[IRON 100]

1	04413621	1	shaft Z = 21
---	----------	---	--------------



K9_B1636_11_0-A-001

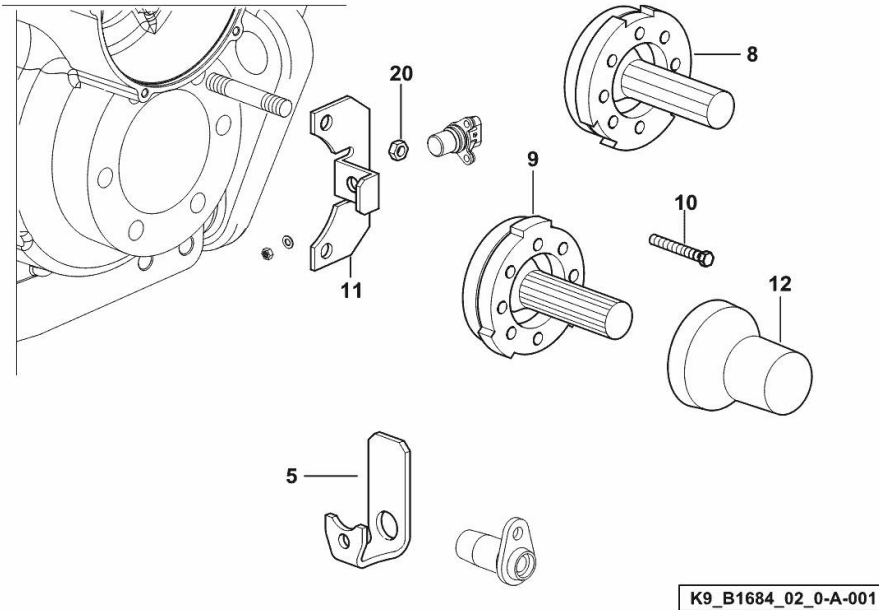
COMPLETION

Fig.	P/n	QTY	Name
------	-----	-----	------

Notes:

- EXPORT U.S.A. [IRON 100]

5	04418427/10	1	bracket
8	04455065.3	1	power take-off shaft Z = 6
9	04455303.3	1	power take-off shaft Z = 21
10	2.0119.251.2	8	screw m 12 p.1.75 x 60
11	0.012.9605.0/10	1	support
12	0.012.9643.0/10	1	guard
20	2.1011.105.2	2	nut m 8 p.1.25

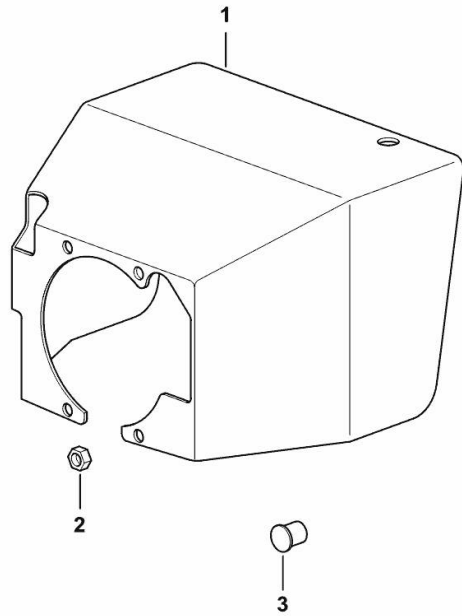


P.T.O. SHAFT PROTECTOR REAR

Fig.	P/n	QTY	Name
------	-----	-----	------

Notes:
[IRON 100]

1	04419617/10	1	guard
2	2.1011.105.2	4	nut m 8 p.1.25
3	01167319	21	bottom



K9_95336_20_0-A-001



Suggest:

For more complete manuals. Please go to the home page.

<https://www.ebooklibonline.com>

If the above button click is invalid. Please download this document first, and then click the above link to download the complete manual.

Thank you so much for reading

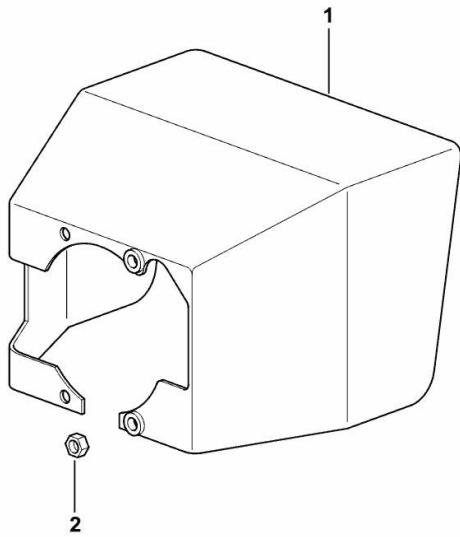
P.T.O. SHAFT PROTECTOR REAR

Fig.	P/n	QTY	Name
------	-----	-----	------

Notes:

- EXPORT U.S.A. [IRON 100]

1	0.013.0049.3	1	guard
2	2.1011.105.2	4	nut m 8 p.1.25



K9_A3536_20_0-A-001

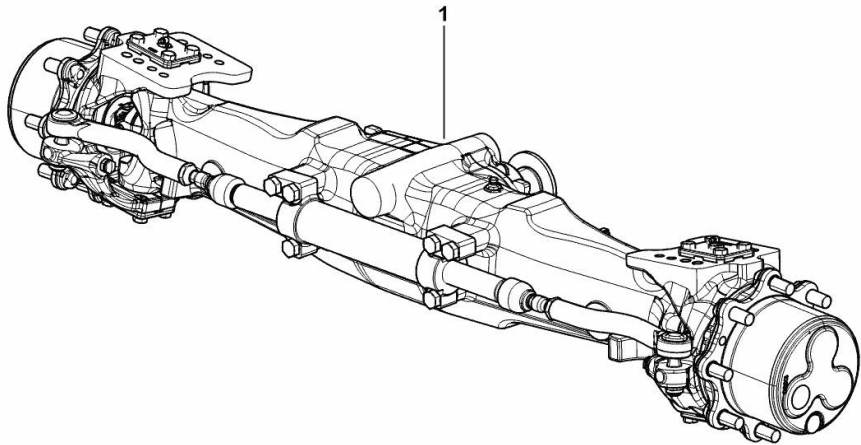
4WD - FRONT DRIVE AXLE

Fig.	P/n	QTY	Name
------	-----	-----	------

Notes:

- WITH SELF-LOCKING DISC DIFF LOCK [IRON 100]

1	0.014.0321.4/20	1	front axle
			☞ 0.014.0321.4/20
			☞ 0.014.0321.4/20
			☞ 0.014.0321.4/20
			☞ 0.014.0321.4/20
			☞ 0.014.0321.4/20
			☞ 0.014.0321.4/20
			☞ 0.014.0321.4/20



K9_D4943_02_0-A-001

<https://www.ebooklibonline.com>

Hello dear friend!

Thank you very much for reading.

Enter the link into your browser.

The full manual is available for immediate download.

<https://www.ebooklibonline.com>