

DRIVEN FRONT AXLE 358850

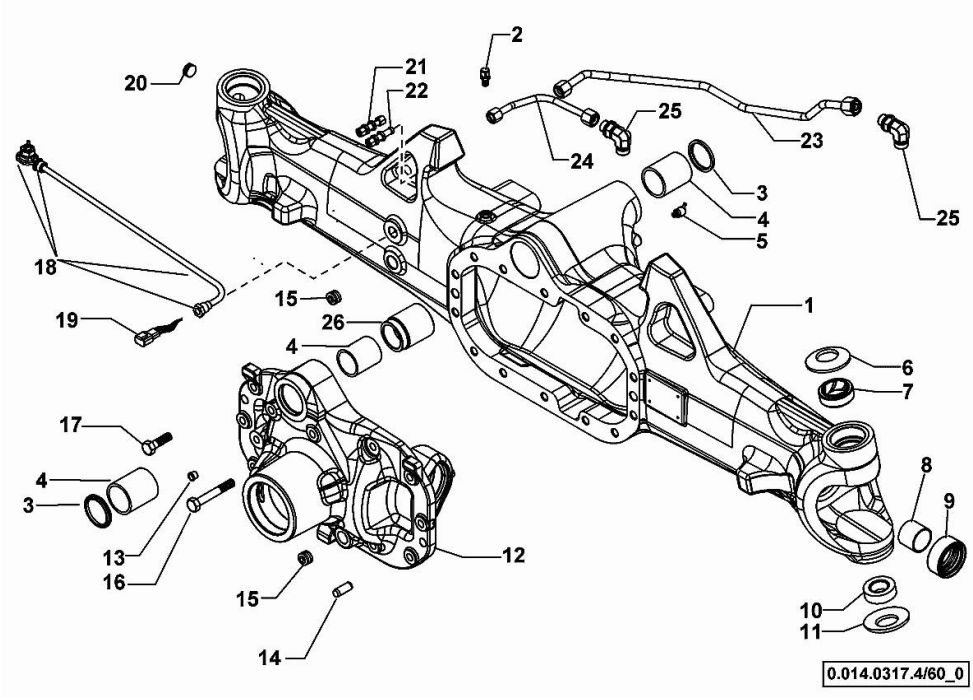
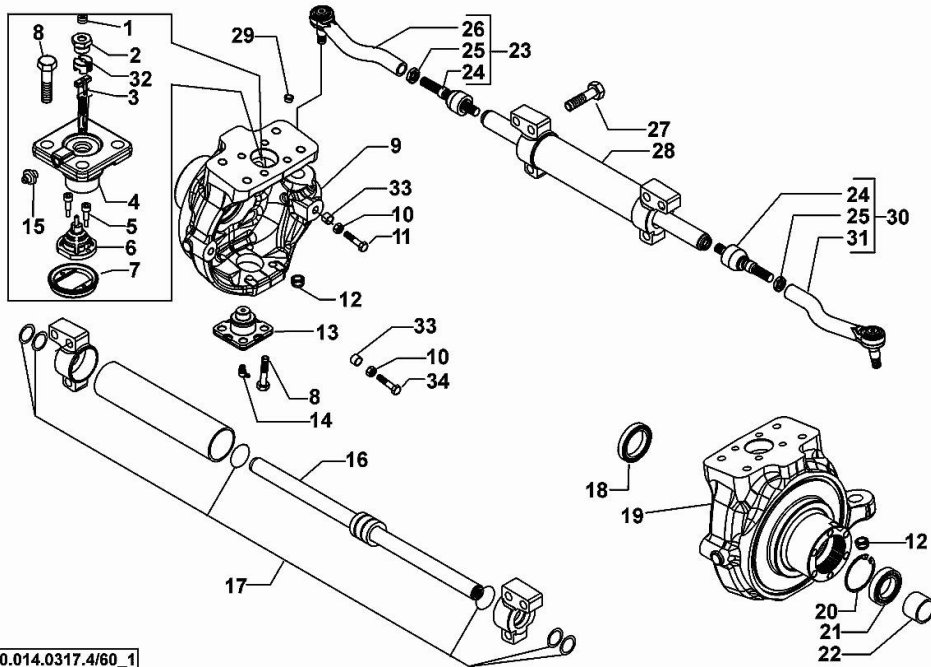


Fig.	P/n	QTY	Name
1	0.900.0965.6	1	casing
2	0.900.0079.8	1	breather m 10 p.1
3	0.900.0079.9	2	circlip
4	0.900.0080.0	3	bushing
5	0.900.0080.1	1	grease gun m 8 p.1, 45°
6	0.900.0080.2	2	spring
7	0.900.0080.3	2	bushing
8	0.900.0080.4	2	bushing
9	0.900.0912.6	2	oil seal 40x65x27,5
10	0.900.0080.6	2	bearing
11	0.900.0080.7	2	spring
12	0.900.0080.8	1	support
13	0.900.0893.4	1	plug D1
14	0.900.0081.0	2	pin Ø 15x45
15	0.900.0081.1	2	plug m 24 p.1.5
16	0.900.0081.2	2	screw m 14x75
17	0.900.0081.3	12	screw m14 x 40
18	0.900.0504.8	1	sensor - KIT
19	0.900.0081.5	1	connector
20	0.900.0081.6	1	plug m 26 p.1.5
21	0.900.0081.7	1	pipe fitting
22	0.900.0081.8	1	pipe fitting
23	04454985	1	tube
24	04454984	1	tube
25	0.900.0082.1	2	pipe fitting
26	0.900.0082.2	1	bushing

0.014.0317.4/60_0

STEERING CYLINDER 358850

Fig.	P/n	QTY	Name
1	0.900.0894.3	2	plug
2	0.900.0082.4	2	screw m 20 p.1.5
3	0.900.0965.7	1	small pin
4	0.900.0502.5	2	pin
5	0.900.0082.7	2	screw m 4 x 10
6	0.900.0504.8	1	sensor - KIT
7	0.900.0865.2	1	cover
8	0.900.0082.9	16	screw m 14 x 35
9	0.900.0083.0	1	cap sx/lh/li
10	0.900.0105.8	4	nut m 14
11	0.900.0948.6	2	screw m 14
12	0.900.0083.3	2	nut m 20 p.1
13	0.900.0083.4	2	pin
14	0.900.0083.5	2	grease gun m 6 p.l, 45°
15	0.900.0542.4	1	grease gun m 6 p.l
16	0.900.0083.7	1	stem
17	0.900.0083.8	1	gasket set
18	0.900.0083.9	2	oil seal 56x80x13/14,5
19	0.900.0084.0	1	cap dx/rh/re
20	0.900.0084.1	2	circlip
21	0.900.0084.2	2	bearing
22	0.900.0084.3	2	spacer
23	0.900.0084.4	1	rod sx/lh/li
24	0.900.0084.5	2	ball joint
25	0.900.0084.6	2	nut m 24x10
26	0.900.0525.2	1	rod sx/lh/li
27	0.900.0791.2	6	screw m18x70
28	0.900.0527.5	1	jack
29	0.900.0085.0	8	plug
30	0.900.0085.1	1	rod dx/rh/re
31	0.900.0525.1	1	rod dx/rh/re
32	0.900.0961.2	1	small block
33	0.009.4379.0	4	shoe
35	0.900.0791.4	2	screw M14x60



0.014.0317.4/60_1

BEVEL WHEEL GEAR 358850

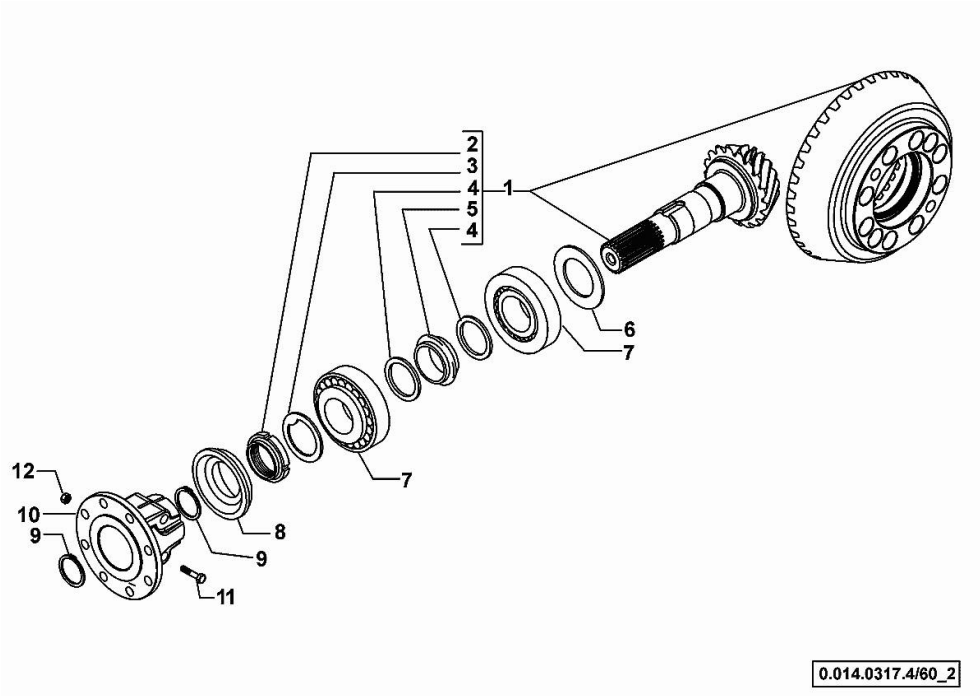


Fig.	P/n	QTY	Name
1	0.900.0085.4	1	bevel drive Z = 14/37
2	0.900.0085.5	1	ring nut m 40 p.1.5
3	0.900.0085.6	1	washer
4	0.900.0085.7	2	washer
5	0.900.0085.8	1	spacer
6	0.900.0085.9	1	shim mm 2.50
6	0.900.0086.0	1	shim mm 2.60
6	0.900.0086.1	1	shim mm 2.70
6	0.900.0086.2	1	shim mm 2.80
6	0.900.0086.3	1	shim mm 2.90
6	0.900.0086.4	1	shim mm 3.00
6	0.900.0086.5	1	shim mm 3.10
6	0.900.0086.6	1	shim mm 3.20
6	0.900.0086.7	1	shim mm 3.30
6	0.900.0086.8	1	shim mm 3.40
7	0.900.0086.9	2	bearing
8	0.900.0087.0	1	oil seal 35x92/98x13/27
9	0.900.0087.1	2	circlip d = 35
10	0.900.0965.8	1	flange
11	0.900.0960.9	2	screw
12	0.900.0961.0	2	nut

<https://www.ebooklibonline.com>

Hello dear friend!

Thank you very much for reading.

Enter the link into your browser.

The full manual is available for immediate download.

<https://www.ebooklibonline.com>

DIFFERENTIAL 358850

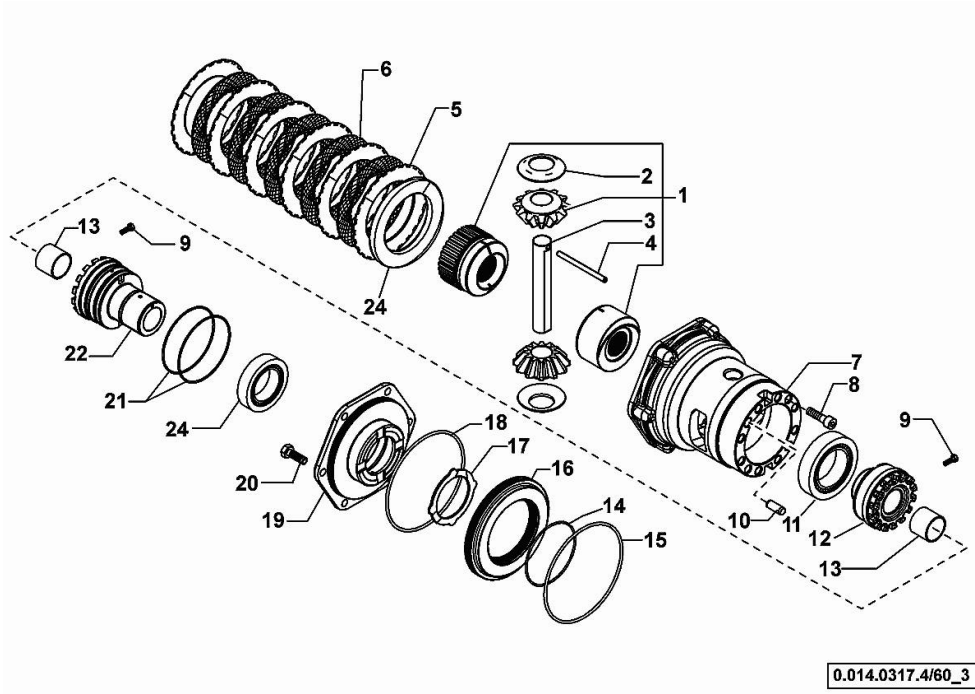
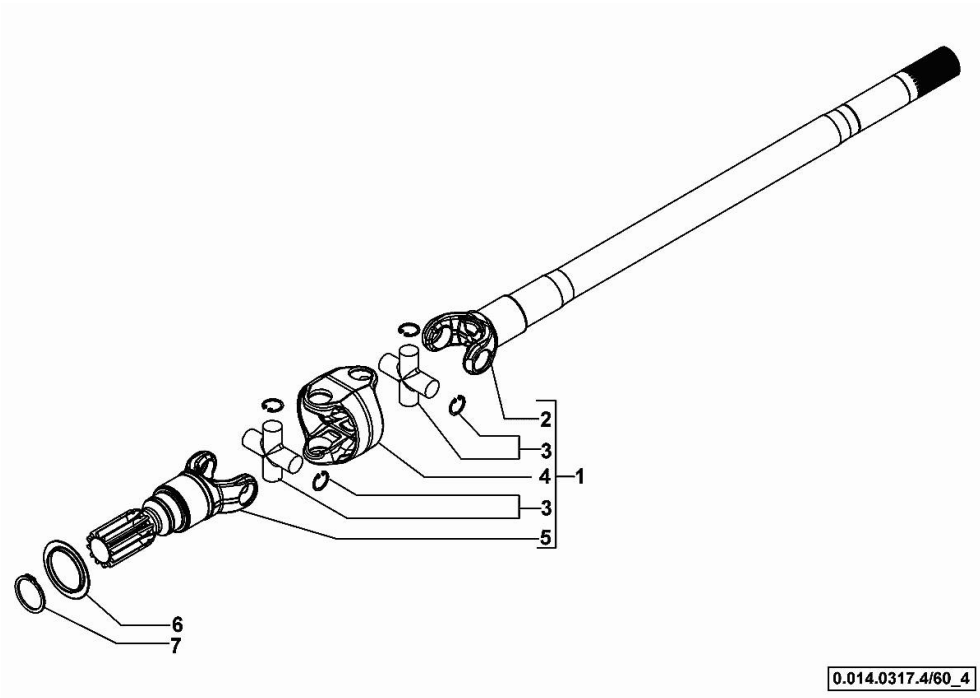


Fig.	P/n	QTY	Name
1	0.900.0966.2	1	differential lock - KIT
2	0.900.0087.4	2	slewing ring
3	0.900.0087.5	1	pin
4	0.900.0087.6	1	pin D7x91
5	0.900.0087.7	6	disc
6	0.900.0087.8	5	disc
7	0.900.0087.9	1	differential carrier
8	0.900.0088.0	10	screw m 12 x 35
9	0.900.0088.1	2	screw m 6 x 25
10	0.900.0088.3	2	pin Ø 12 x 28
11	0.900.0088.4	1	bearing
12	0.900.0088.5	1	ring nut M94x1.5
13	0.900.0088.6	2	bushing
14	0.900.0088.7	1	oil seal
15	0.900.0088.8	1	oil seal
16	0.900.0088.9	1	piston
17	0.900.0089.0	1	disc
18	0.900.0089.1	1	oil seal
19	0.900.0952.0	1	cover - KIT
20	0.900.0089.3	6	screw m 10 x 35
21	0.900.0089.8	2	oil seal
22	0.900.0089.9	1	ring nut m 94 p.1.5
23	0.900.0090.0	1	disc
24	0.900.0090.1	1	bearing

DOUBLE COUPLING 358850

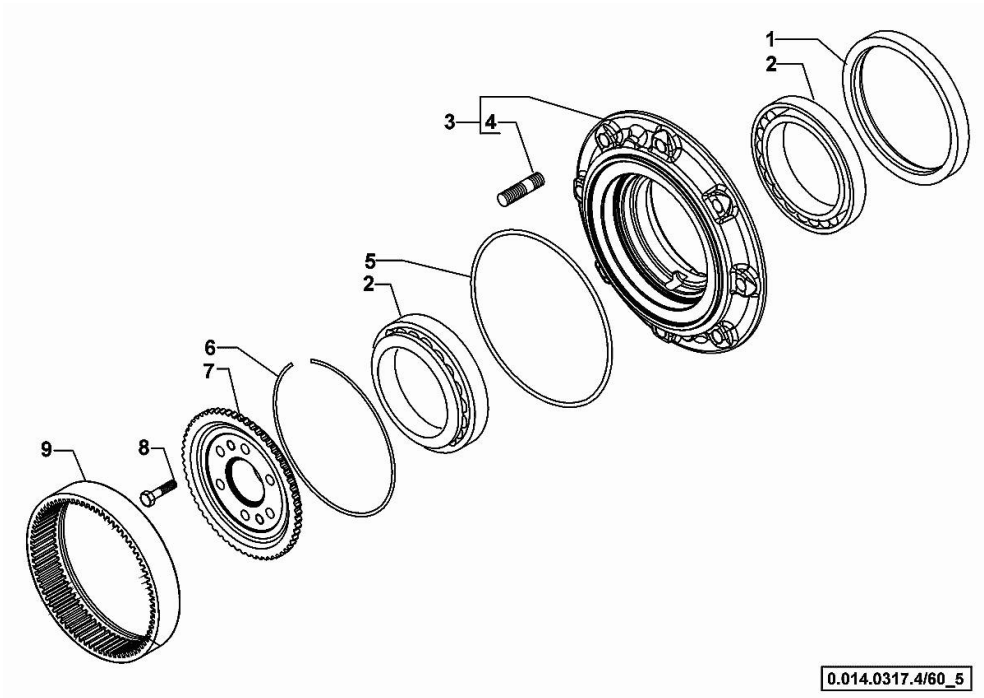
Fig.	P/n	QTY	Name
1	0.900.0912.4	1	shaft kpl. (sx/lh/li)
1	0.900.0912.5	1	shaft kpl. (dx/rh/re)
2	0.900.0966.3	1	fork dx/rh/re
2	0.900.0966.4	1	fork sx/lh/li
3	0.900.1415.7	4	universal joint
4	0.900.0966.0	2	joint
5	0.900.0090.8	2	fork
6	0.900.0090.9	2	cover
7	0.900.0091.0	2	circlip



0.014.0317.4/60_4

WHEEL HUB 358850

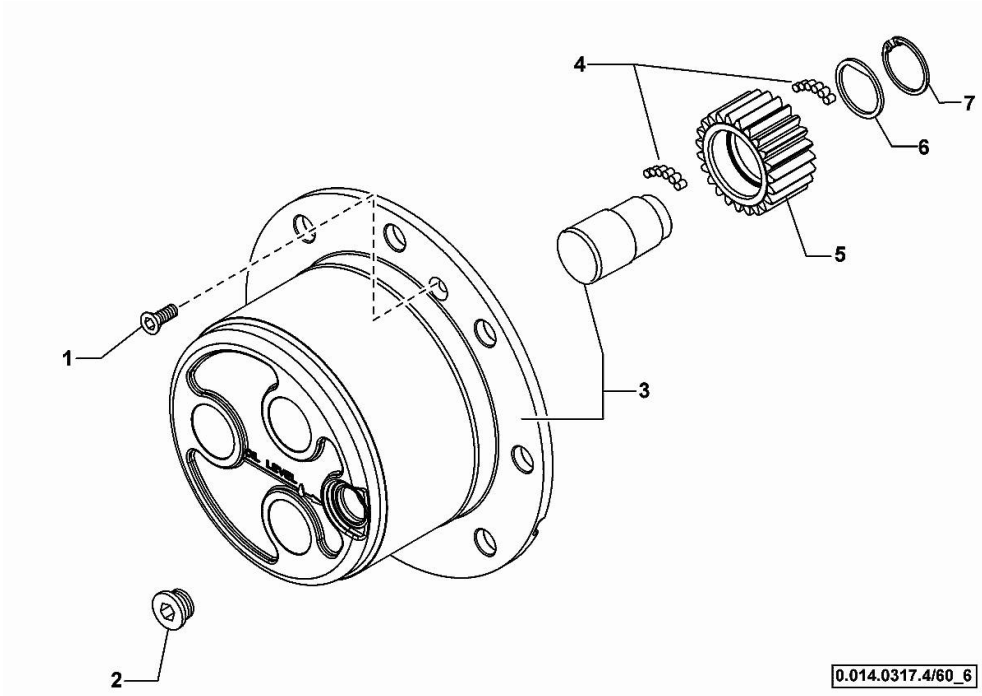
Fig.	P/n	QTY	Name
1	0.900.0091.1	2	oil seal 155x180x14,5
2	0.900.1360.6	4	bearing
3	0.900.0530.9	2	wheel hub
4	0.900.0091.4	16	stud bolt
5	0.900.0091.5	2	oil seal
6	0.900.0091.6	2	circlip
7	0.900.1360.7	2	hub
8	0.900.0091.8	12	screw m 12 x 45
9	0.900.0091.9	2	crown wheel Z = 60



0.014.0317.4/60_5

PLANETARY GEAR 358850

Fig.	P/n	QTY	Name
1	0.900.0092.0	4	screw m 8 p.1.25 x 20
2	0.900.0092.1	2	plug m 30 p.2
3	0.900.0965.9	2	spider - KIT
4	0.900.0092.3	37	roller
5	0.900.0092.4	6	gear Z = 23
6	0.900.0092.5	6	slewing ring
7	0.900.0092.6	6	circlip



DRIVEN FRONT AXLE - 370481

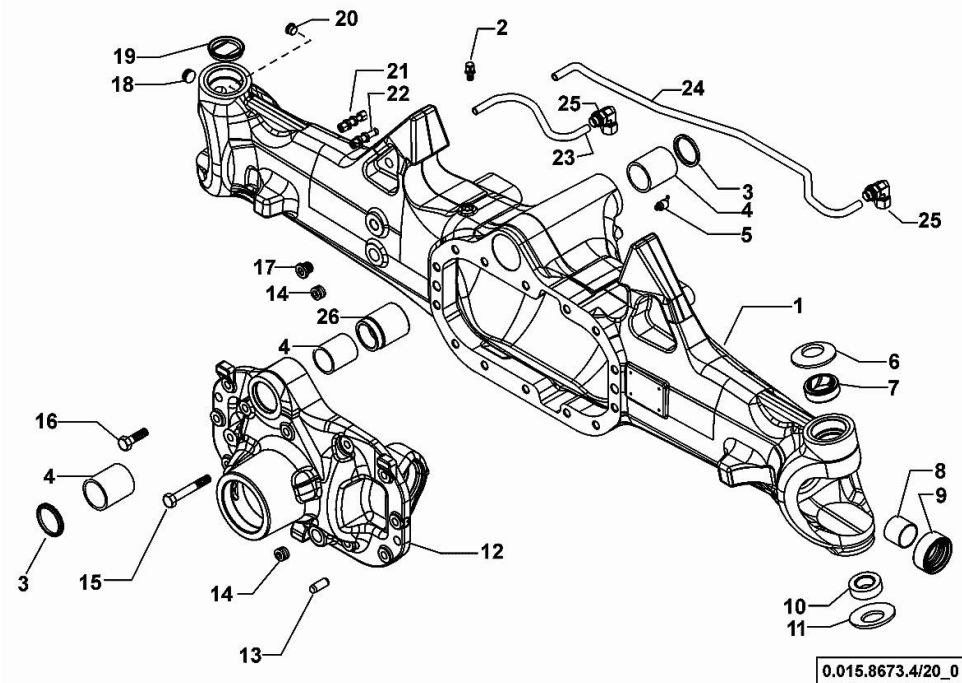


Fig.	P/n	QTY	Name
1	0.900.0965.6	1	casing
2	0.900.0079.8	1	breather m 10 p.1
3	0.900.0079.9	2	circlip
4	0.900.0080.0	3	bushing
5	0.900.0080.1	1	grease gun m 8 p.1, 45°
6	0.900.0080.2	2	spring
7	0.900.0080.3	2	bushing
8	0.900.0080.4	2	bushing
9	0.900.0912.6	2	oil seal 40x65x27,5
10	0.900.0080.6	2	bearing
11	0.900.0080.7	2	spring
12	0.900.0105.4	1	support
13	0.900.0081.0	2	pin Ø 15x45
14	0.900.0081.1	2	plug m 24 p.1.5
15	0.900.0081.2	2	screw m 14x75
16	0.900.0081.3	12	screw m14 x 40
17	0.900.0105.5	1	bottom
18	0.900.0081.6	1	plug m 26 p.1.5
19	0.900.0966.6	1	small cover
20	0.900.0105.7	1	bottom
21	0.900.0081.7	1	pipe fitting
22	0.900.0081.8	1	pipe fitting
23	0.900.0081.9	1	tube
24	0.900.0082.0	1	tube
25	0.900.0082.1	2	pipe fitting
26	0.900.0082.2	1	bushing

STEERING CYLINDER - 370481

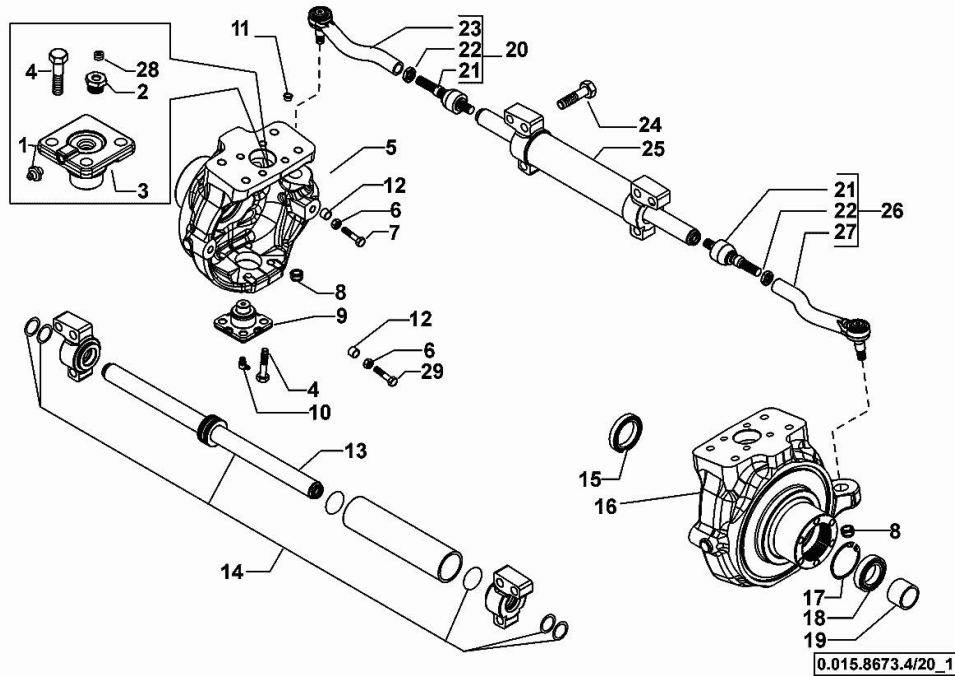


Fig.	P/n	QTY	Name
1	0.900.0542.4	2	grease gun m 6 p.1
2	0.900.0082.4	2	screw m 20 p.1.5
3	0.900.0502.5	2	pin
4	0.900.0082.9	16	screw m 14 x 35
5	0.900.0083.0	1	cap sx/lh/li
6	0.900.0105.8	2	nut m 14
7	0.900.0948.6	2	screw m 14
8	0.900.0083.3	2	nut m 20 p.1
9	0.900.0083.4	2	pin
10	0.900.0083.5	2	grease gun m 6 p.1, 45°
11	0.900.0085.0	8	plug
12	0.009.4379.0	4	shoe
13	0.900.0083.7	1	stem
14	0.900.0083.8	1	gasket set
15	0.900.0083.9	2	oil seal 56x80x13/14,5
16	0.900.0084.0	1	cap dx/rh/re
17	0.900.0084.1	2	circlip
18	0.900.0084.2	2	bearing
19	0.900.0084.3	2	spacer
20	0.900.0084.4	1	rod sx/lh/li
21	0.900.0084.5	2	ball joint
22	0.900.0084.6	2	nut m 24x10
23	0.900.0525.2	1	rod sx/lh/li
24	0.900.0791.2	6	screw m18x70
25	0.900.0527.5	1	jack
26	0.900.0085.1	1	rod dx/rh/re
27	0.900.0525.1	1	rod dx/rh/re
28	0.900.0894.3	1	plug
29	0.900.0791.4	2	screw M14x60

BEVEL WHEEL GEAR - 370481

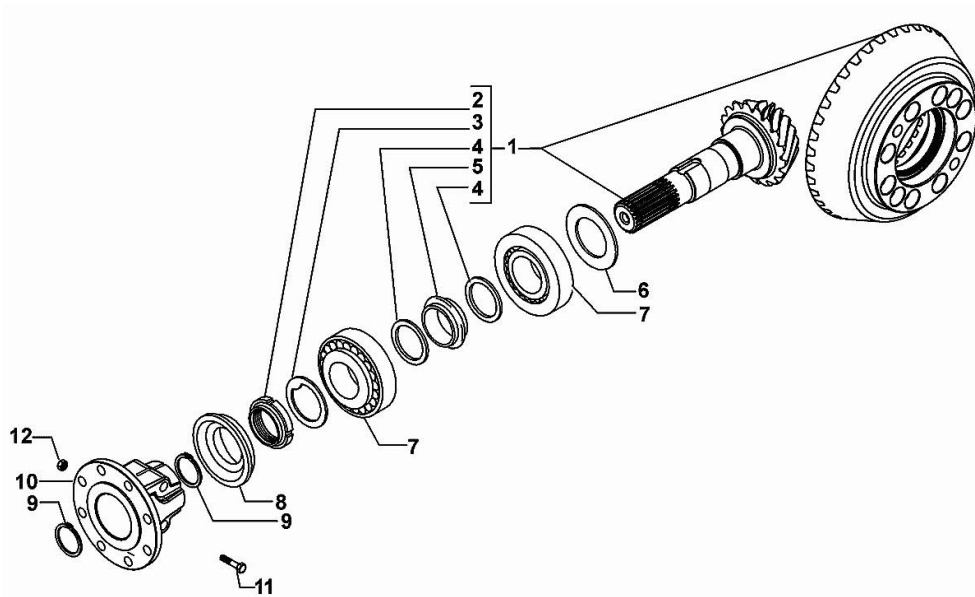


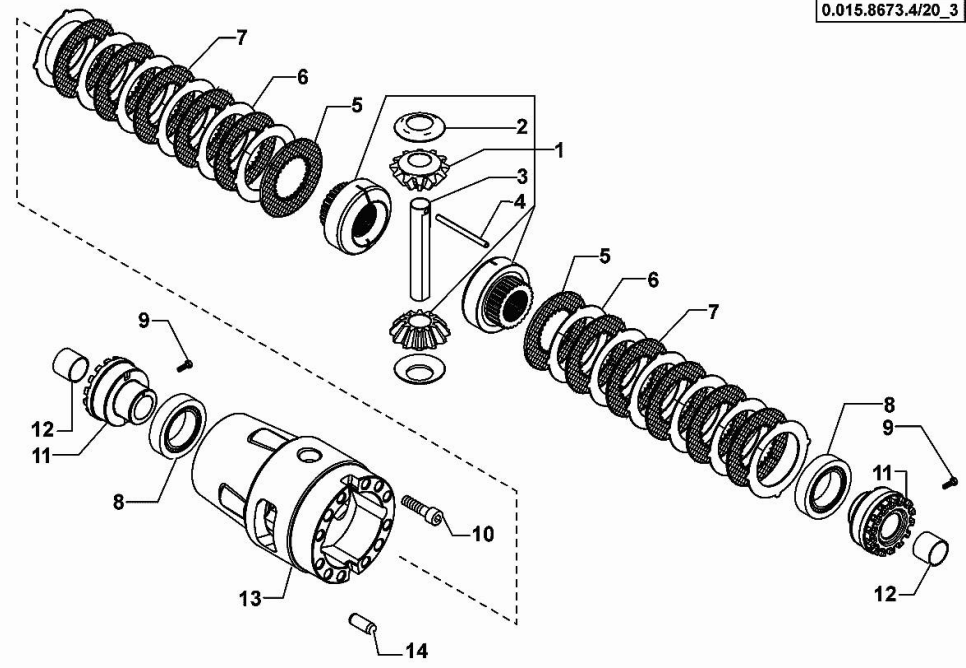
Fig.	P/n	QTY	Name
1	0.900.0085.4	1	bevel drive Z = 14/37
2	0.900.0085.5	1	ring nut m 40 p.1.5
3	0.900.0085.6	1	washer
4	0.900.0085.7	2	washer
5	0.900.0085.8	1	spacer
6	0.900.0085.9	1	shim mm 2.50
6	0.900.0086.0	1	shim mm 2.60
6	0.900.0086.1	1	shim mm 2.70
6	0.900.0086.2	1	shim mm 2.80
6	0.900.0086.3	1	shim mm 2.90
6	0.900.0086.4	1	shim mm 3.00
6	0.900.0086.5	1	shim mm 3.10
6	0.900.0086.6	1	shim mm 3.20
6	0.900.0086.7	1	shim mm 3.30
6	0.900.0086.8	1	shim mm 3.40
7	0.900.0086.9	2	bearing
8	0.900.0087.0	1	oil seal 35x92/98x13/27
9	0.900.0087.1	2	circlip d = 35
10	0.900.0965.8	1	flange
11	0.900.0960.9	2	screw
12	0.900.0961.0	2	nut

0.015.8673.4/20_2

DIFFERENTIAL - 370481

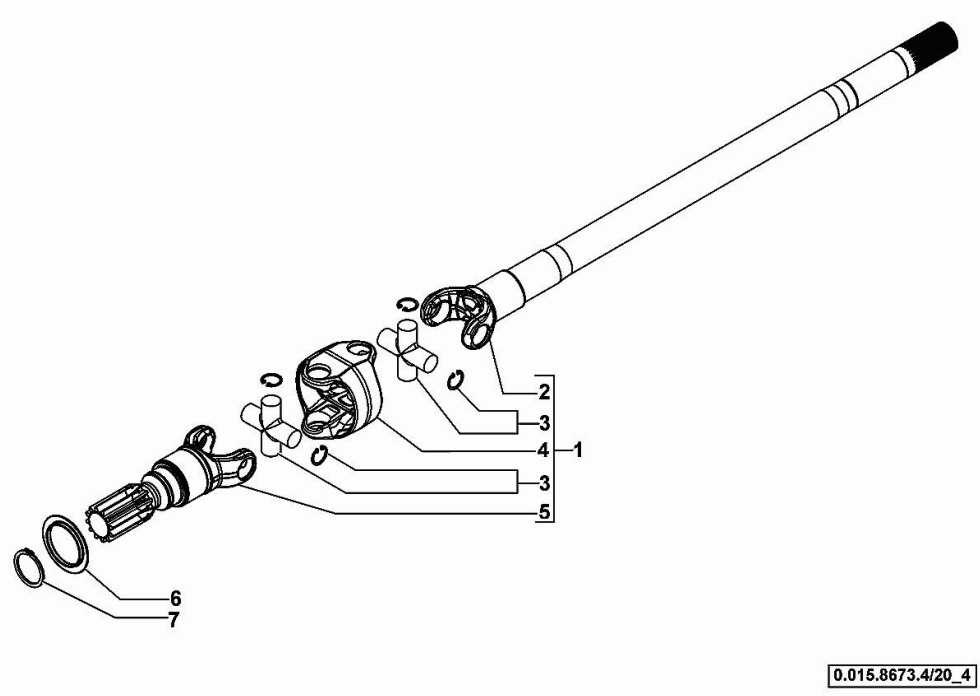
Fig.	P/n	QTY	Name
1	0.900.0966.7	1	set of gears
2	0.900.0087.4	2	slewing ring
3	0.900.0087.5	1	pin
4	0.900.0087.6	1	pin D7x91
5	0.900.0106.1	2	washer
6	0.900.0106.2	12	washer
7	0.900.0106.3	10	washer
8	0.900.0088.4	2	bearing
9	0.900.0088.1	2	screw m 6 x 25
10	0.900.0088.0	10	screw m 12 x 35
11	0.900.0088.5	2	ring nut M94x1.5
12	0.900.0088.6	2	bushing
13	0.900.0106.4	1	differential carrier
14	0.900.0088.3	2	pin Ø 12 x 28

0.015.8673.4/20_3



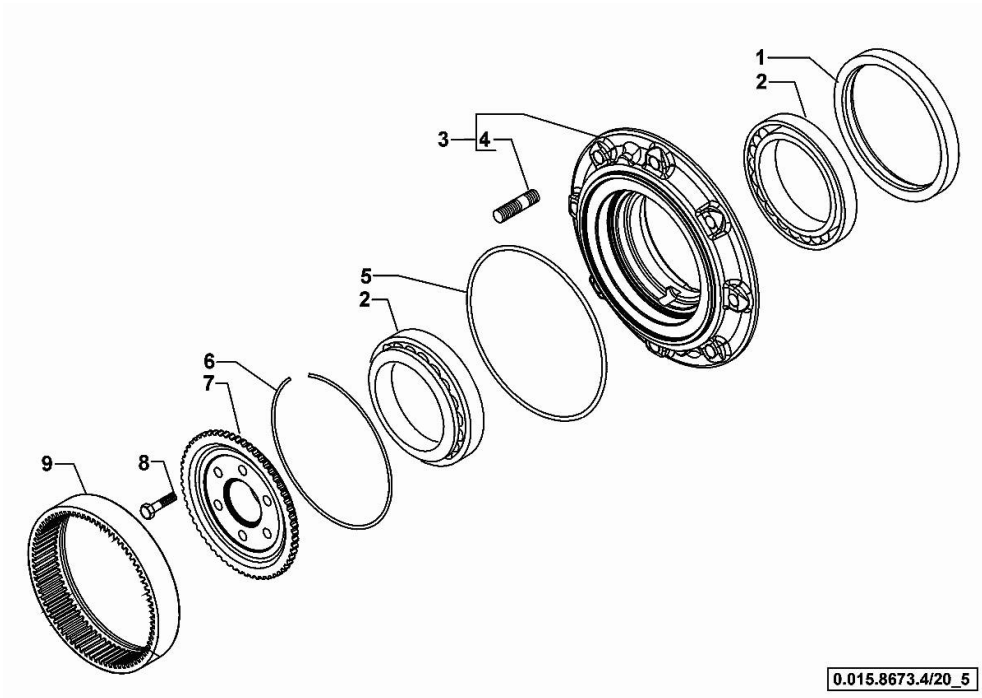
DOUBLE COUPLING - 370481

Fig.	P/n	QTY	Name
1	0.900.0912.4	1	shaft kpl. (sx/lh/li)
1	0.900.0912.5	1	shaft kpl. (dx/rh/re)
2	0.900.0966.3	1	fork dx/rh/re
2	0.900.0966.4	1	fork sx/lh/li
3	0.900.0966.5	4	universal joint
4	0.900.0966.0	2	joint
5	0.900.0090.8	2	fork
6	0.900.0090.9	2	cover
7	0.900.0091.0	2	circlip



WHEEL HUB - 370481

Fig.	P/n	QTY	Name
1	0.900.0091.1	2	oil seal 155x180x14,5
2	0.900.0091.2	4	bearing
3	0.900.0530.9	2	wheel hub
4	0.900.0091.4	16	stud bolt
5	0.900.0091.5	2	oil seal
6	0.900.0091.6	2	circlip
7	0.900.1360.7	2	hub
8	0.900.0091.8	12	screw m 12 x 45
9	0.900.0091.9	2	crown wheel Z = 60



0.015.8673.4/20_5



Suggest:

For more complete manuals. Please go to the home page.

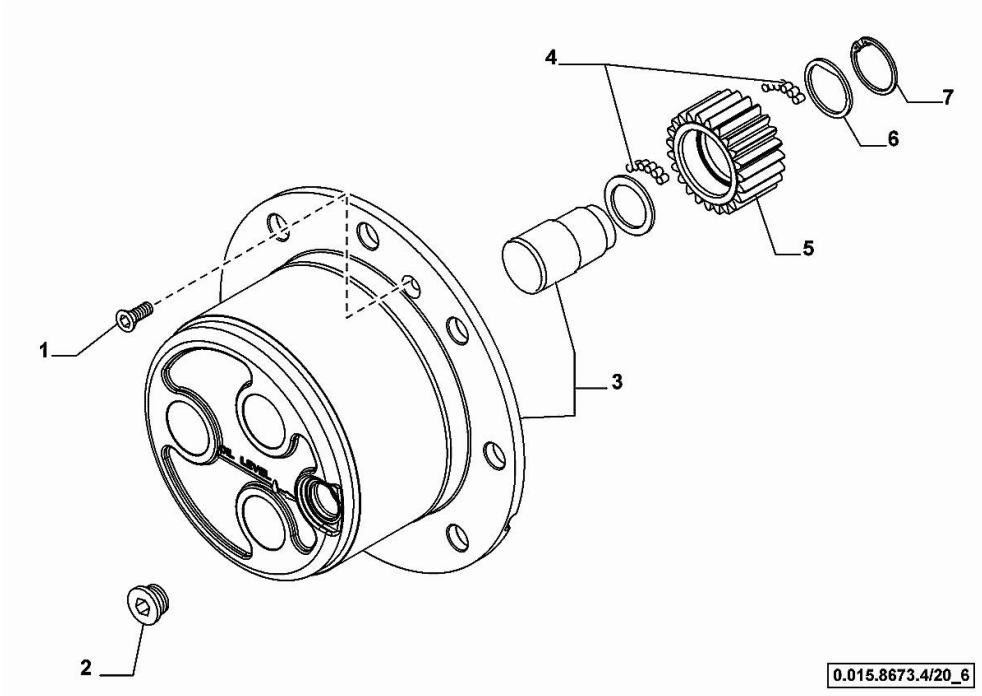
<https://www.ebooklibonline.com>

If the above button click is invalid. Please download this document first, and then click the above link to download the complete manual.

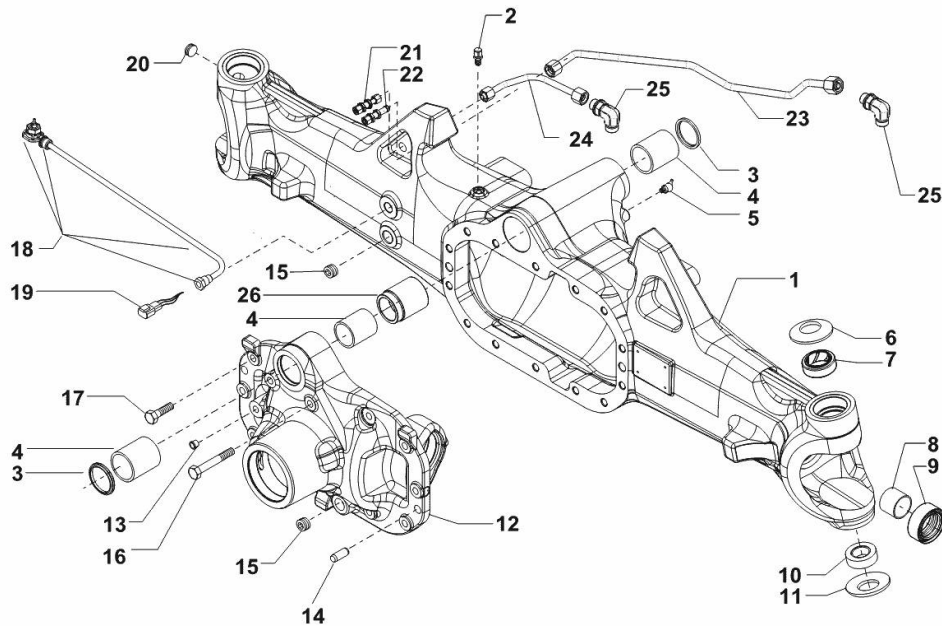
Thank you so much for reading

PLANETARY GEAR - 370481

Fig.	P/n	QTY	Name
1	0.900.0092.0	4	screw m 8 p.1.25 x 20
2	0.900.0092.1	2	plug m 30 p.2
3	0.900.0965.9	2	spider - KIT
4	0.900.0092.3	37	roller
5	0.900.0092.4	6	gear Z = 23
6	0.900.0092.5	6	slewing ring



DRIVEN FRONT AXLE - 380999



0.016.4986.4_10-0

Fig.	P/n	QTY	Name
1	0.900.1416.2	1	front axle
2	0.900.0079.8	1	breather m 10 p.1
3	0.900.0079.9	2	circlip
4	0.900.0080.0	3	bushing
5	0.900.0080.1	1	grease gun m 8 p.1, 45°
6	0.900.0080.2	2	spring
7	0.900.0080.3	2	bushing
8	0.900.0080.4	2	bushing
9	0.900.0912.6	2	oil seal 40x65x27,5
10	0.900.1416.3	2	bearing
11	0.900.0080.7	2	spring
12	0.900.0080.8	1	support
13	0.900.0893.4	1	plug D1
14	0.900.0081.0	2	pin Ø 15x45
15	0.900.0081.1	2	plug m 24 p.1.5
16	0.900.0081.2	2	screw m 14x75
17	0.900.0081.3	12	screw m14 x 40
18	0.900.0504.8	1	sensor - KIT
19	0.900.0081.5	1	connector
20	0.900.0081.6	1	plug m 26 p.1.5
21	0.900.0081.7	1	pipe fitting
22	0.900.0081.8	1	pipe fitting
23	04454985	1	tube
24	04454984	1	tube
25	0.900.0082.1	2	pipe fitting
26	0.900.0082.2	1	bushing

<https://www.ebooklibonline.com>

Hello dear friend!

Thank you very much for reading.

Enter the link into your browser.

The full manual is available for immediate download.

<https://www.ebooklibonline.com>