

Section: ENGINE  
CRANKCASE

9\_33211\_00\_0\_A

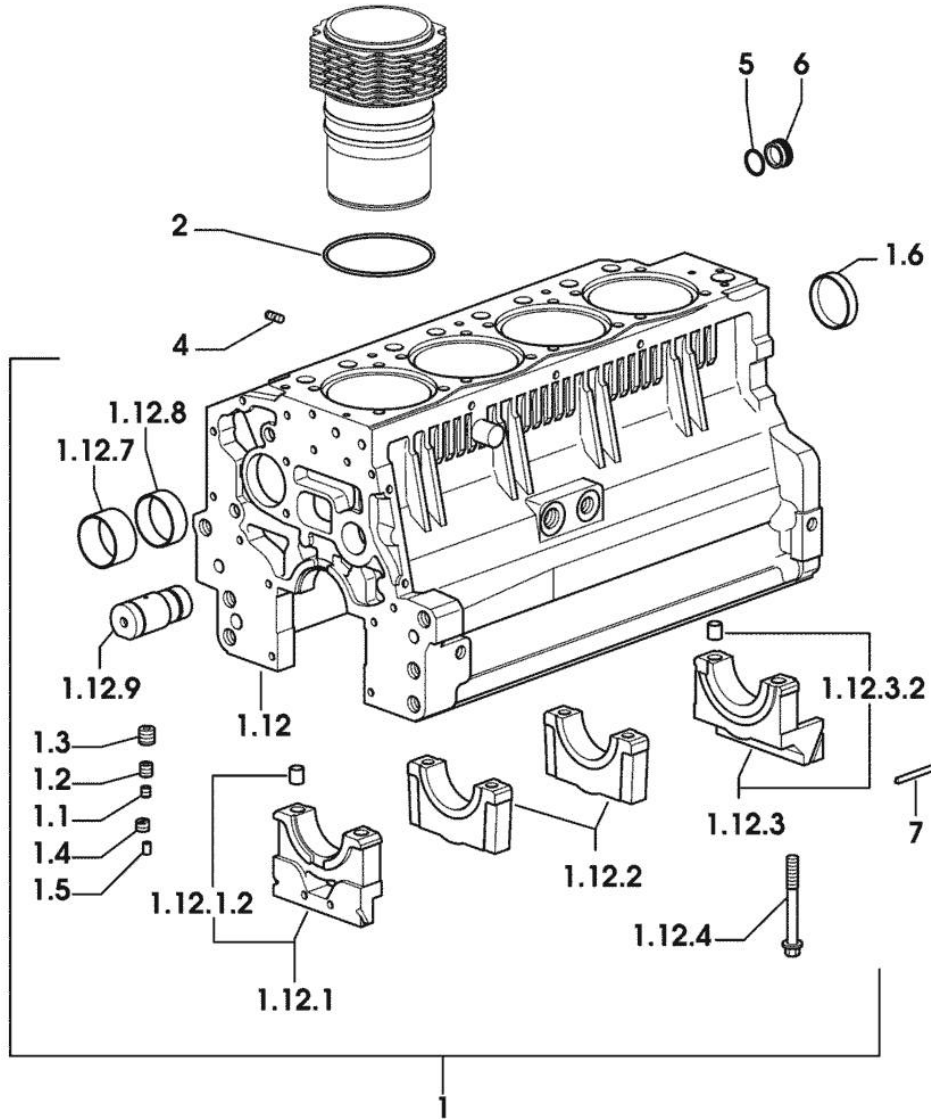


Fig.	P/n	QTY	Name
------	-----	-----	------

Notes:  
[GOLDEN 75 compatto]

1	0.007.1140.6/10	1	crankcase
1.1	2.3130.001.1	11	plug 1/8" gas
1.2	2.3130.002.1	2	plug 1/4" gas
1.3	2.3130.003.1	7	plug 3/8" gas
1.4	2.1324.011.0	1	plug
1.5	2.3199.092.0	4	plug 8 x 12
1.6	2.3179.012.0	1	plug 60
1.12	0.000.0000.1		cannot be supplied
1.12.1	0.065.1112.7	1	support
1.12.1.2	2.1699.165.0	1	bush 12.3x15x16
1.12.2	0.065.1114.0/10	3	support
1.12.3	0.065.1116.3	1	support
1.12.3.2	2.1699.165.0	1	bush 12.3x15x16
1.12.4	0.065.1117.0	10	screw m 12 x 100
1.12.7	0.065.1141.0	1	special bushing 59X55X30
1.12.8	0.065.1140.0	4	special bushing 59X55X20
1.12.9	0.066.1151.0	1	pin
2	2.1539.130.0/10	4	special oil seal 117.07x3.53
4	2.0432.003.7	12	stud bolt m 8 p.1.25 / p.1 x 20
5	2.1532.072.0	1	oil seal 26.70x1.78
6	2.3199.405.2	1	plug m 28 p.1.5
7	0.066.1152.0/10	4	gasket

**TIMING CASE**

9\_33211\_00\_0\_B

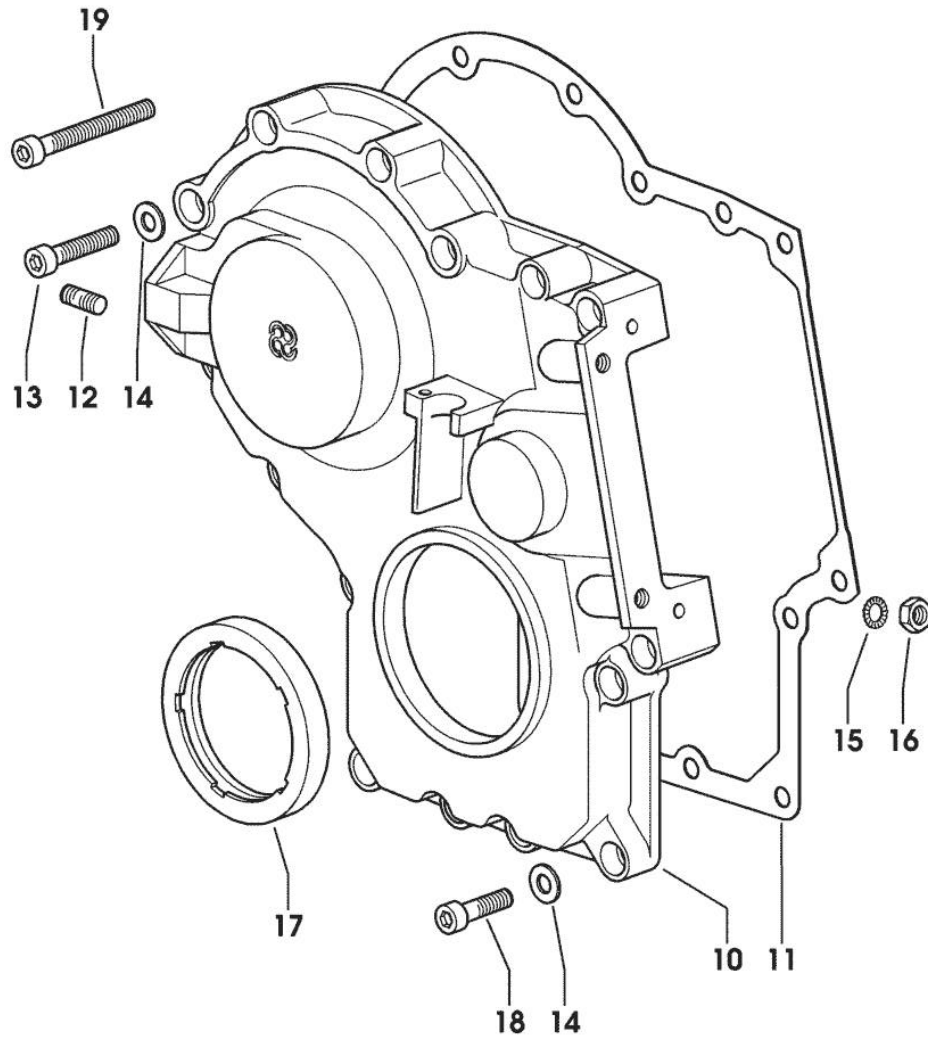


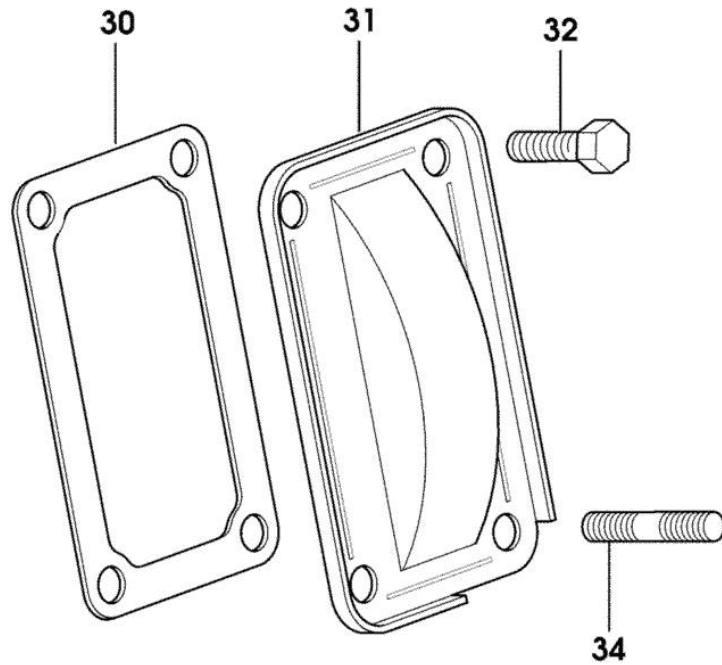
Fig.	P/n	QTY	Name
<b>Notes:</b>			
[GOLDEN 75 compatto]			
10	0.013.4981.0	1	guard -> 1460 X GOLDEN 75 Compatto -> 1238 X GOLDEN 85 Compatto
10	0.065.1132.0/50	1	guard 1459 <- X GOLDEN 75 compatto 1237 <- X GOLDEN 85 compatto
11	0.065.1150.0/30	1	gasket
12	2.0432.003.7	2	stud bolt m 8 p.1.25 / p.1 x 20
13	2.0312.214.2	3	screw m 8 p.1.25 x 40
14	2.1480.014.1	15	washer 8
15	2.1470.004.2	4	lock washer 8
16	2.1011.405.2	2	nut m 8 p.1
17	2.1529.141.0	1	special oil seal
18	2.0312.208.2	8	screw m 8 p.1.25 x 25
19	2.0312.219.2	4	screw m 8 p.1.25x65

Section: ENGINE  
**CASING COVER**

Fig.	P/n	QTY	Name
------	-----	-----	------

Notes:  
 [GOLDEN 75 compatto]

30	0.065.1152.0	1	gasket
31	0.065.1151.0	1	cover
32	2.0112.205.2	2	screw m 8 p.1.25 x 16
34	2.0432.005.7	2	stud bolt m 8 p.1.5 / p.1 x 25



9\_33011\_04\_0\_0

**<https://www.ebooklibonline.com>**

Hello dear friend!

Thank you very much for reading.

Enter the link into your browser.

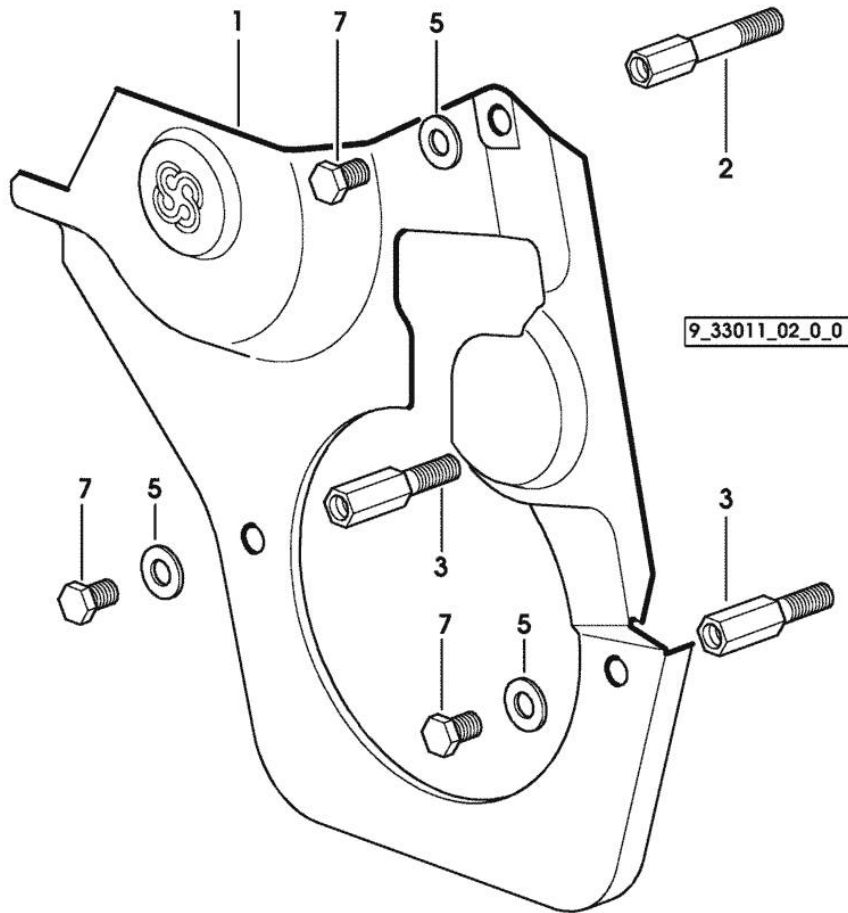
The full manual is available for immediate download.

**<https://www.ebooklibonline.com>**

Fig.	P/n	QTY	Name
------	-----	-----	------

Notes:  
 [GOLDEN 75 compatto]

1	0.007.1262.3/50	1	guard
2	0.007.1271.0/10	1	small column m 8 p.1.25 / L = mm 60
3	0.007.1272.0/10	2	small column m 8 p.1.25 / L = mm 50
5	2.1310.004.2	3	flat washer 8.4x17
7	2.0112.203.2	3	screw m 8 p.1.25 x 12

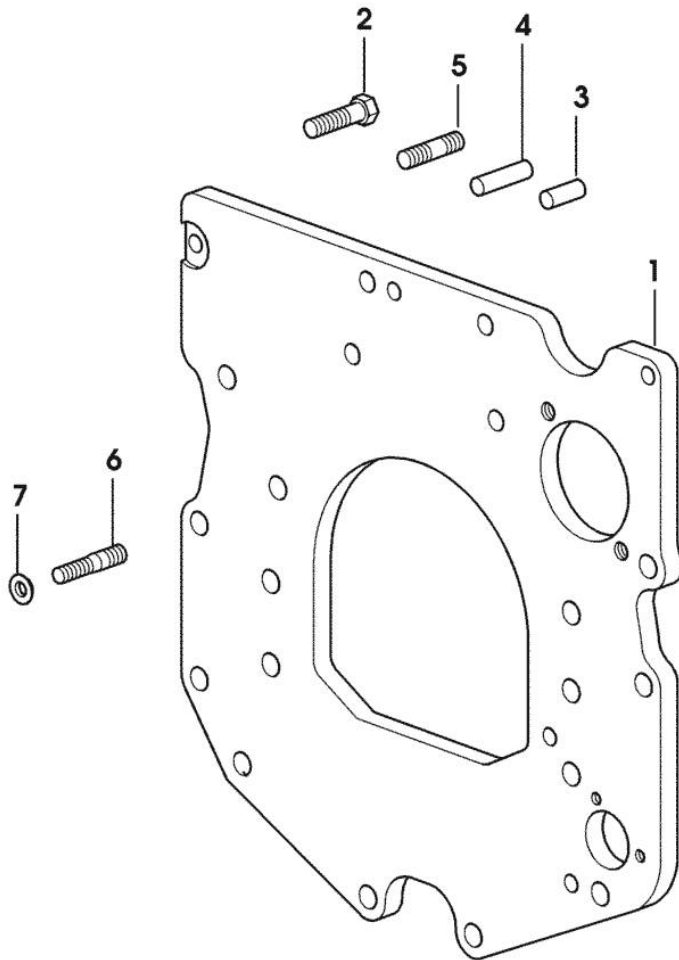


**MONOBLOC ENGINE-GEARBOX CONNECTING FLANGE**

Fig.	P/n	QTY	Name
------	-----	-----	------

Notes:  
[GOLDEN 75 compatto]

1	0.007.1882.0/50	1	flange
2	2.0112.511.2	8	screw m 14 p.2 x 30
3	2.1651.912.0	2	cylindrical plug 12x28
4	2.1651.917.0	1	cylindrical plug 12x40
5	2.0432.255.7	2	stud bolt m 12 p.1.75-1.25x25 1217 <- X GOLDEN 60 compatto 1282 <- X GOLDEN 65 compatto 1565 <- X GOLDEN 75 compatto 1346 <- X GOLDEN 85 compatto
5	2.0432.257.7	1	stud bolt m 12 p.1.75 - 1.25 x 30 -> 1218 X GOLDEN 60 Compatto -> 1283 X GOLDEN 65 Compatto -> 1566 X GOLDEN 75 Compatto -> 1347 X GOLDEN 85 Compatto
6	2.0439.250.7	1	stud bolt m 12 / m 10 x 30 -> 1218 X GOLDEN 60 Compatto -> 1283 X GOLDEN 65 Compatto -> 1566 X GOLDEN 75 Compatto -> 1347 X GOLDEN 85 Compatto
7	0.011.9294.0/10	1	bush -> 1218 X GOLDEN 60 Compatto -> 1283 X GOLDEN 65 Compatto -> 1566 X GOLDEN 75 Compatto -> 1347 X GOLDEN 85 Compatto



9\_38611\_01\_0\_0

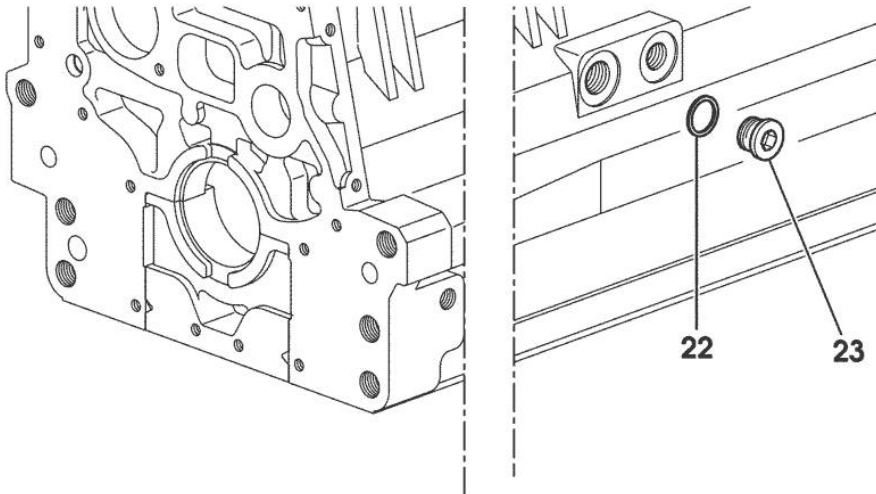
**SIDE PLUG FOR CYLINDER BLOCK**

Fig.	P/n	QTY	Name
------	-----	-----	------

**Notes:**

[GOLDEN 75 compatto]

22	2.1560.017.0	1	gasket 22.2 x 27
23	2.3120.002.4	1	plug m 22 x 1.5



9\_33211\_07\_0\_0

Section: ENGINE

**CRANKSHAFT**

9\_33212\_00\_0\_0

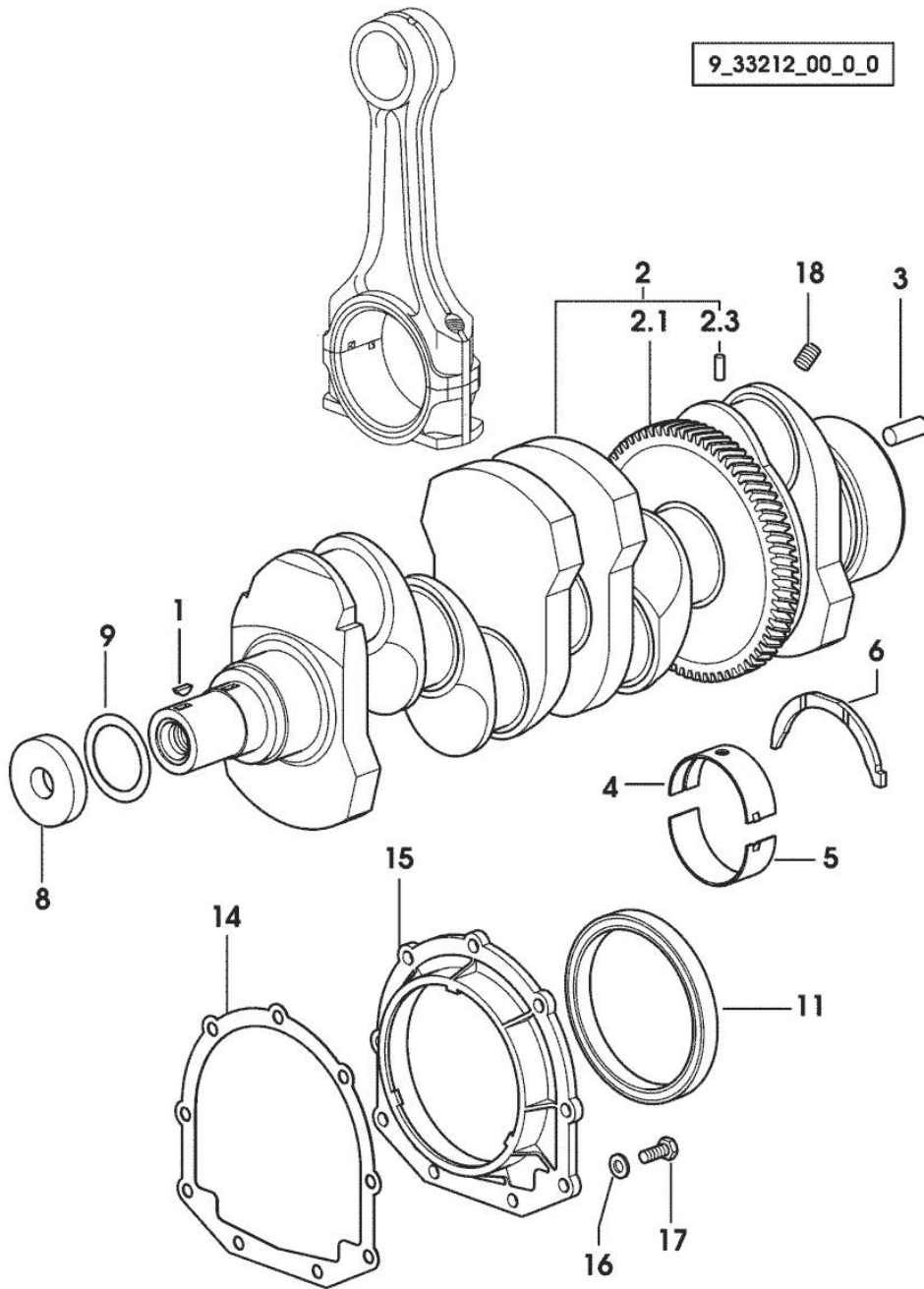


Fig.	P/n	QTY	Name
------	-----	-----	------

Notes:  
[GOLDEN 75 compatto]

1	2.1720.006.0	1	key 4x6.5
2	0.086.1210.3/30	1	crankshaft
2.1	0.065.1211.0/10	1	crown wheel
2.3	2.1630.608.0	1	pin 6x16
3	2.1651.915.0	1	pin 12x35
4	0.065.1215.0	5	main half bushing STANDARD
4	0.065.1215.7		main half bushing - mm 0.25
4	0.065.1215.8		main half bushing - mm 0.50
5	0.065.1216.0	5	main half bushing
5	0.065.1216.7		main half bushing - mm 0.25
5	0.065.1216.8		main half bushing - mm 0.50
6	0.065.1218.0	4	shim STANDARD
6	0.065.1218.7		shim + mm 0.10
6	0.065.1218.8		shim + mm 0.15
8	2.1599.524.7	1	washer 21x60x12
9	2.1589.189.0	2	shoulder ring mm 1.00
11	2.1529.073.0	1	special oil seal 110x130x13
14	0.065.1254.0/20	1	gasket
15	0.007.1711.0/10	1	cover
16	2.1475.002.2	9	conical washer 8
17	2.0112.207.2	9	screw m 8 p 1.25 x 20
18	2.3130.001.1	4	plug 1/8" gas

Section: ENGINE

**CYLINDER - PISTON - CONNECTING ROD**

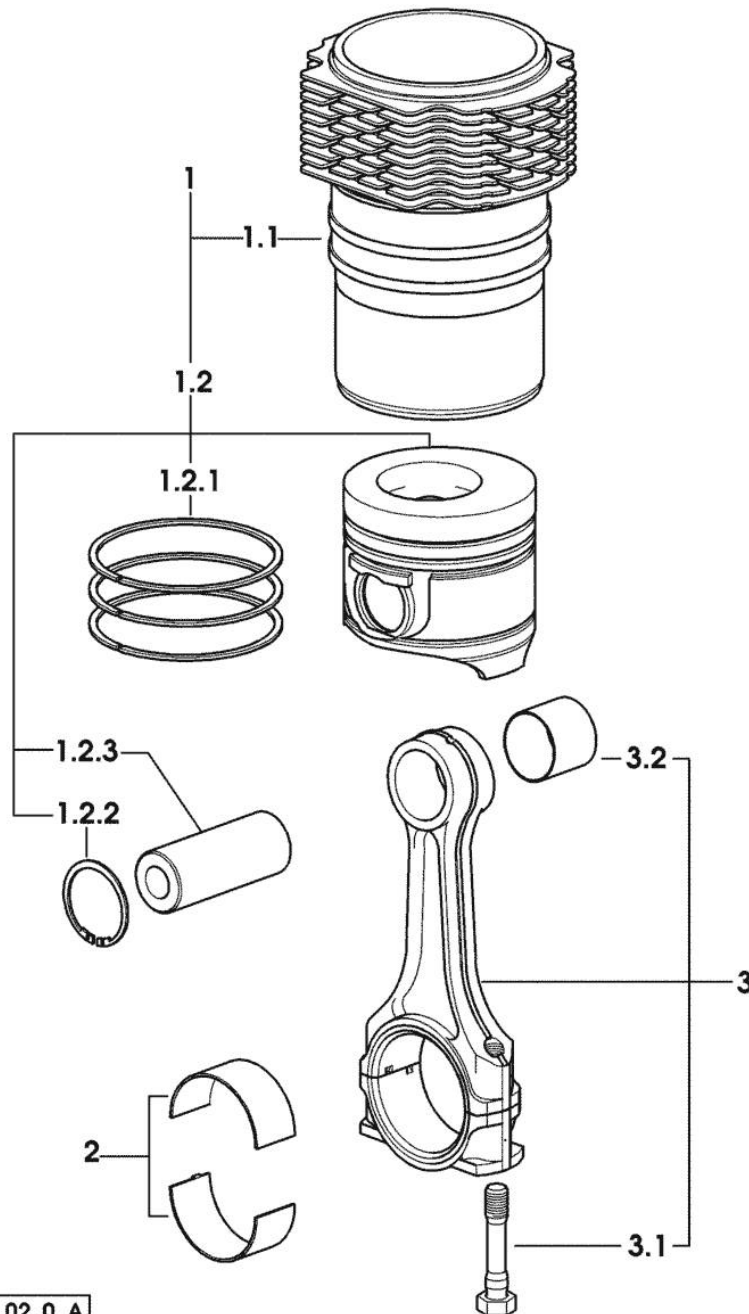


Fig.	P/n	QTY	Name
------	-----	-----	------

Notes:  
[GOLDEN 75 compatto]

1	0.379.0065.A	4	cyl. piston assembly "A" - CLASS A
1	0.379.0065.B	4	cyl. piston assembly "B" - CLASS B
1.1	0.007.0762.0/50	1	engine cylinder 74872 <= X GOLDEN 75 compatto
1.1	0.A13.0355.0	1	engine cylinder "A" => 74873 X GOLDEN 75 Compatto - CLASS A
1.1	0.B13.0355.0	1	engine cylinder "B" => 74873 X GOLDEN 75 Compatto - CLASS B
1.2	0.379.0060.6/10	1	complete piston 74872 <= X GOLDEN 75 compatto
1.2	0.379.0060.A	1	complete piston "A" => 74873 X GOLDEN 75 Compatto - CLASS A
1.2	0.379.0060.B	1	complete piston "B" => 74873 X GOLDEN 75 Compatto - CLASS B
1.2.1	0.086.0052.6/10	1	piston ring set
1.2.2	2.1411.014.1	2	circlip 35
1.2.3	0.078.1236.0	1	piston pin Ø 18 / Ø 35 / L = mm 86
2	0.065.1225.0	8	con.rod half bushing STANDARD - A = 28.75 -> 29.00
2	0.065.1225.7	8	con.rod half bushing - mm 0.25
2	0.065.1225.8	8	con.rod half bushing - mm 0.50
3	0.078.1220.3/30	4	engine connecting rod
3.1	2.0399.213.0	2	screw m 12 p.1.25x61.5
3.2	2.1559.114.0/10	1	special bushing

Section: ENGINE

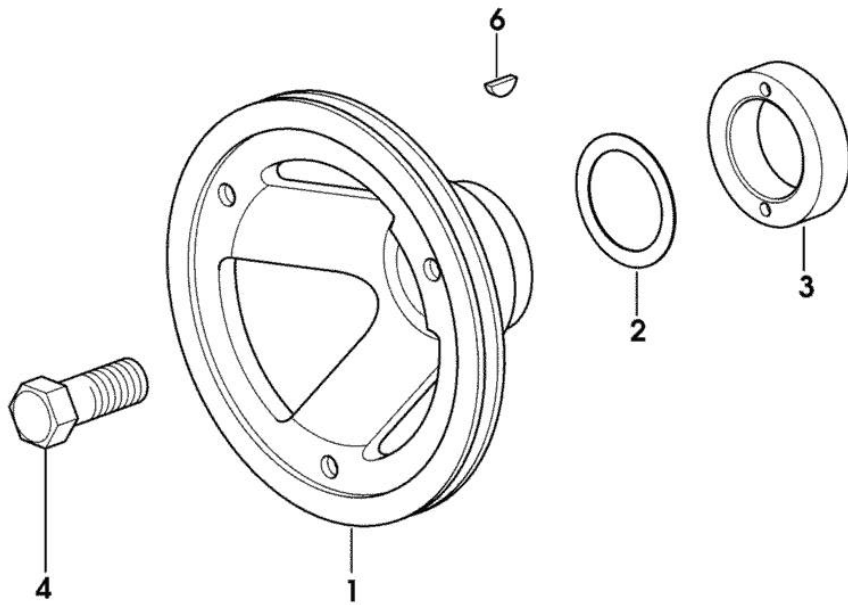
**CRANKSHAFT PULLEY**

Fig.	P/n	QTY	Name
------	-----	-----	------

**Notes:**

[GOLDEN 75 compatto]

1	0.007.1330.0/30	1	pulley
2	2.1589.189.0	2	shoulder ring mm 1.00
3	0.085.1248.0/10	1	hub
4	2.0399.144.7/10	1	screw m 20 p.1.5x51
6	2.1720.006.0	1	key 4x6.5



9\_33012\_02\_0\_0

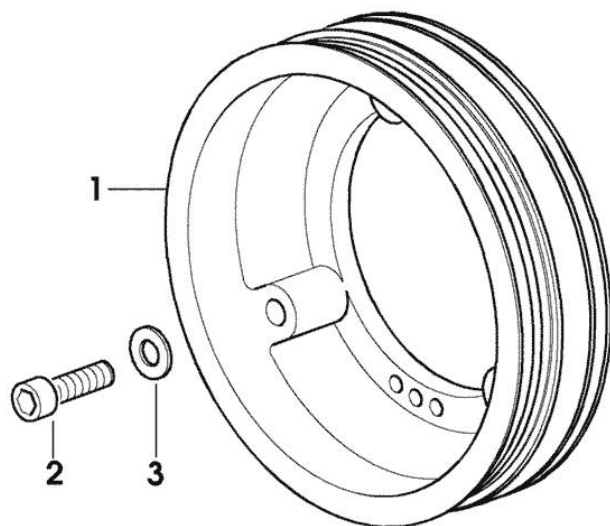
**PULLEY FOR ACCESSORIES**

Fig.	P/n	QTY	Name
------	-----	-----	------

**Notes:**

[GOLDEN 75 compatto]

1	0.007.6963.0/10	1	pulley
2	2.0312.317.2	3	screw m 10 x 55
3	2.1310.006.2	3	flat washer 10.5x21



9\_37212\_03\_0\_0

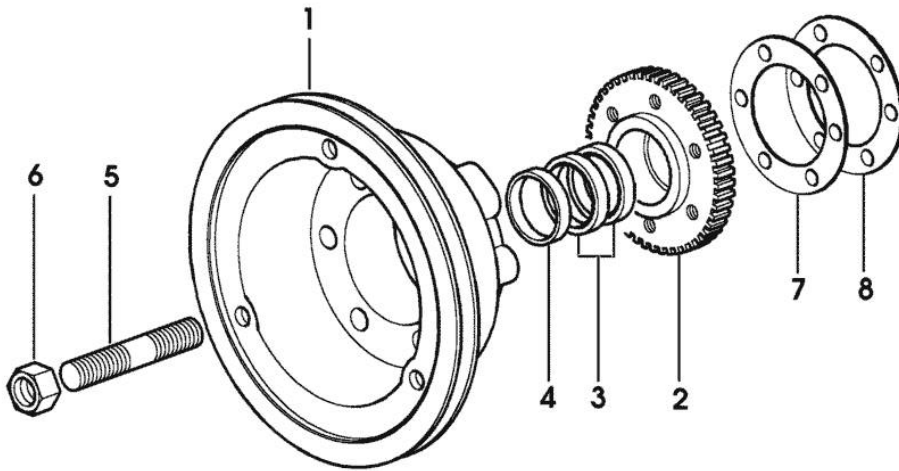
**ENGINE SHAFT - FRONT P.T.O. PULLEYS**

Fig.	P/n	QTY	Name
------	-----	-----	------

**Notes:**

[GOLDEN 75 compatto]

1	0.086.1244.0	1	pulley
2	0.011.3515.0/10	1	hub Z = 48
3	0.065.1256.0	2	ring 45x52
4	2.1579.865.0	1	spacer 45.2x51.8x10
5	2.0439.195.7	1	stud bolt m 20 p.1.5x80
6	2.1019.094.7	1	nut m 20 p.1.5
7	2.1589.137.0	3	shoulder ring 71x110x1
8	2.1589.136.0	1	shoulder ring 71x110x0.5

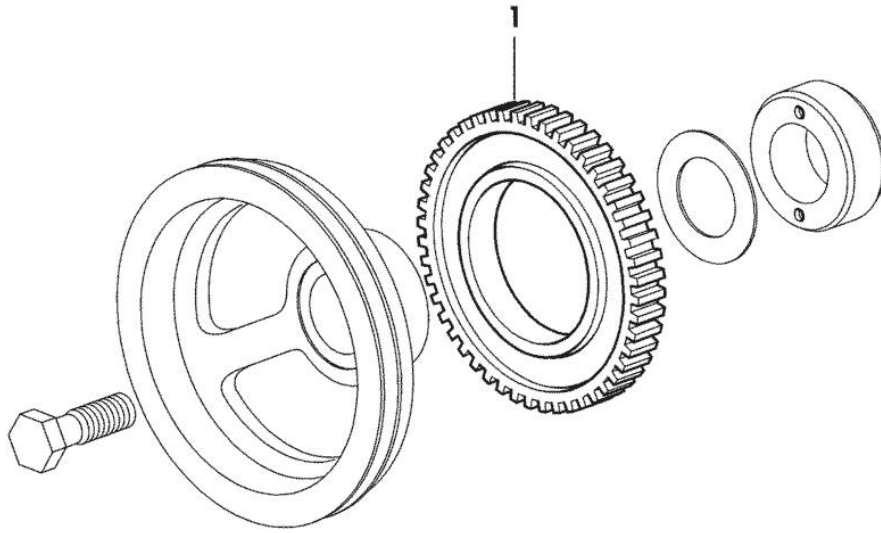


Section: ENGINE  
**PULSE WHEEL**

Fig.	P/n	QTY	Name
------	-----	-----	------

Notes:  
 [GOLDEN 75 compatto]

1	0.011.3531.0	1	gear Z = 48
---	--------------	---	-------------



9\_36812\_05\_0\_0

Section: ENGINE

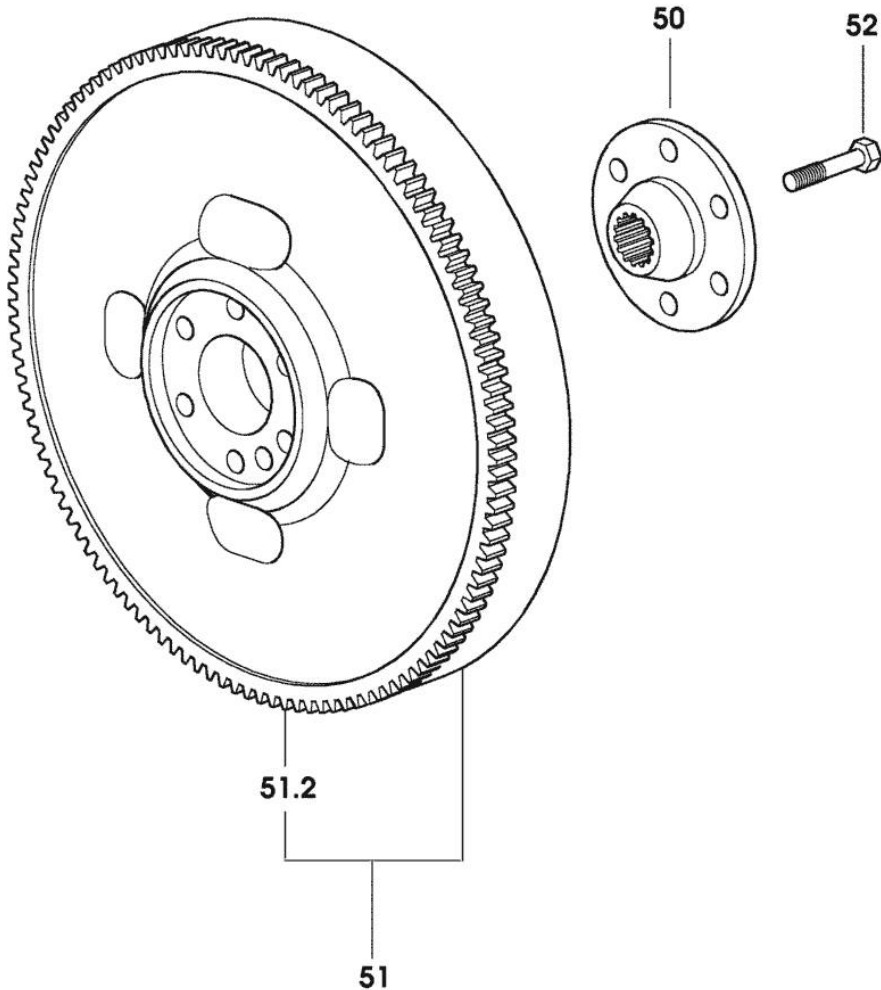
**ENGINE FLYWHEEL**

Fig.	P/n	QTY	Name
------	-----	-----	------

**Notes:**

[GOLDEN 75 compatto]

50	0.255.2525.0/10	1	flange
51	0.076.1247.3/20	1	flywheel
51.2	0.065.1242.0	1	crown wheel Z = 123
52	2.0139.022.2	6	screw m 12 p.1.25x55



9\_33212\_07\_0\_0



**Suggest:**

**For more complete manuals. Please go to the home page.**

**<https://www.ebooklibonline.com>**

**If the above button click is invalid. Please download this document first, and then click the above link to download the complete manual.**

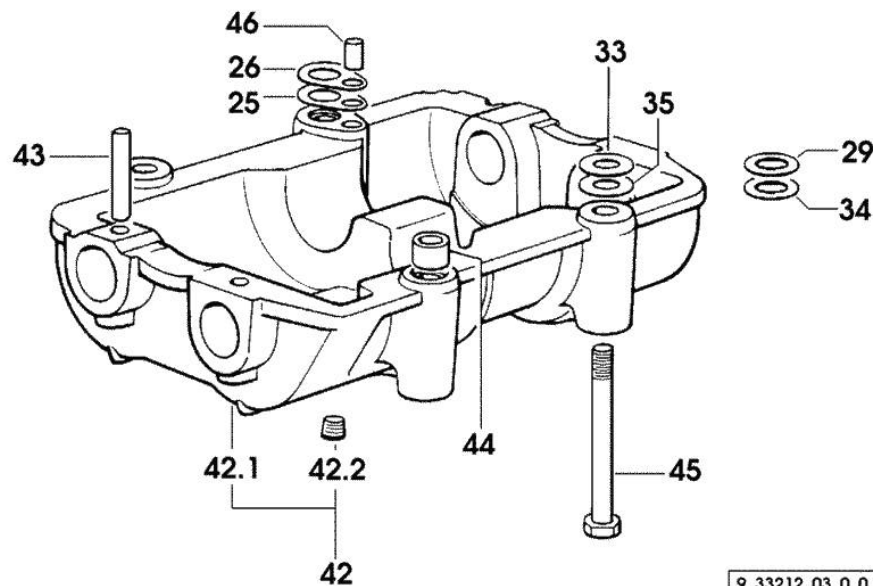
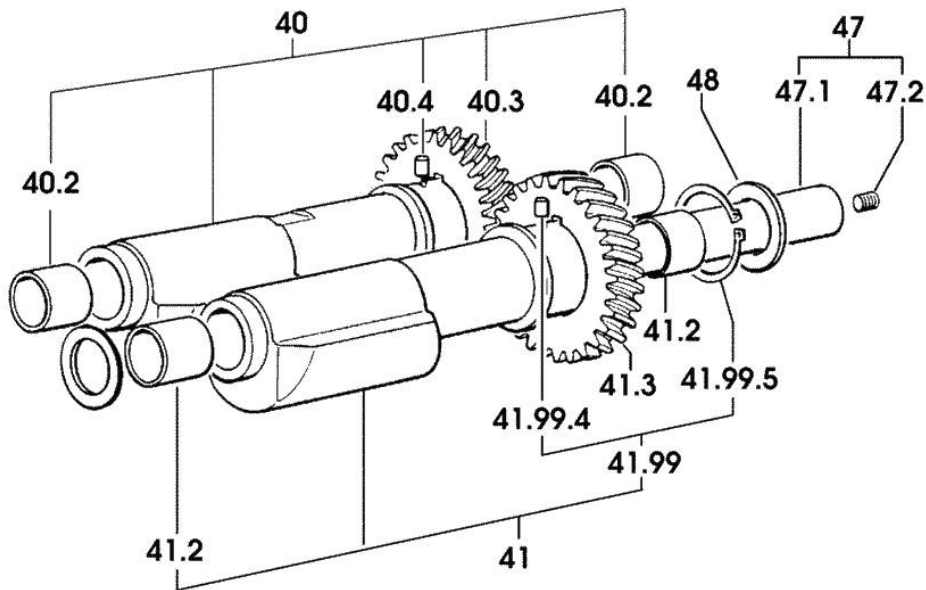
**Thank you so much for reading**

Section: ENGINE  
COUNTERWEIGHTS

Fig.	P/n	QTY	Name
------	-----	-----	------

Notes:  
[GOLDEN 75 compatto]

25	2.1589.139.0	1	shoulder ring mm 0.3
26	2.1589.140.0	3	shoulder ring mm 0.1
29	2.1579.628.0	3	spacer 16.5x26x0.1
33	2.1579.629.0	6	spacer 12.5x26x0.1
34	2.1589.048.0	1	shoulder ring 16.5x26x0.3
35	2.1589.049.0	1	shoulder ring 12.5x26x0.3
40	0.086.1233.3/30	1	mass sx/lh/li
40.2	2.1559.115.0	2	special bushing 26x30x30
40.3	0.000.0000.1		cannot be supplied
40.4	2.1651.302.0	1	roll pin 4x6
41	0.065.1233.3/30	1	mass dx/rh/re
41.2	2.1559.115.0	2	special bushing 26x30x30
41.3	0.000.0000.1		cannot be supplied
41.99	0.000.0000.1		cannot be supplied
41.99.4	2.1651.302.0	1	roll pin 4x6
41.99.5	2.1410.018.7	1	circlip 45
42	0.000.0000.1		cannot be supplied
42.1	0.086.1231.0/10	1	box
42.2	2.3130.001.1	4	plug 1/8" gas
43	2.1631.717.0	2	roll pin 8 x 40
44	2.1579.626.0	2	spacer 13.2x16x11
45	2.0139.028.2	4	screw m 12
46	2.1699.191.0	1	bush 7x10x16
47	0.000.0000.1		cannot be supplied
47.1	0.065.1234.0/10	1	shaft
47.2	2.3130.001.1	1	plug 1/8" gas
48	2.1589.185.0	4	shoulder ring 26.1x34x1



9\_33212\_03\_0\_0

Section: ENGINE

**CAMSHAFT**

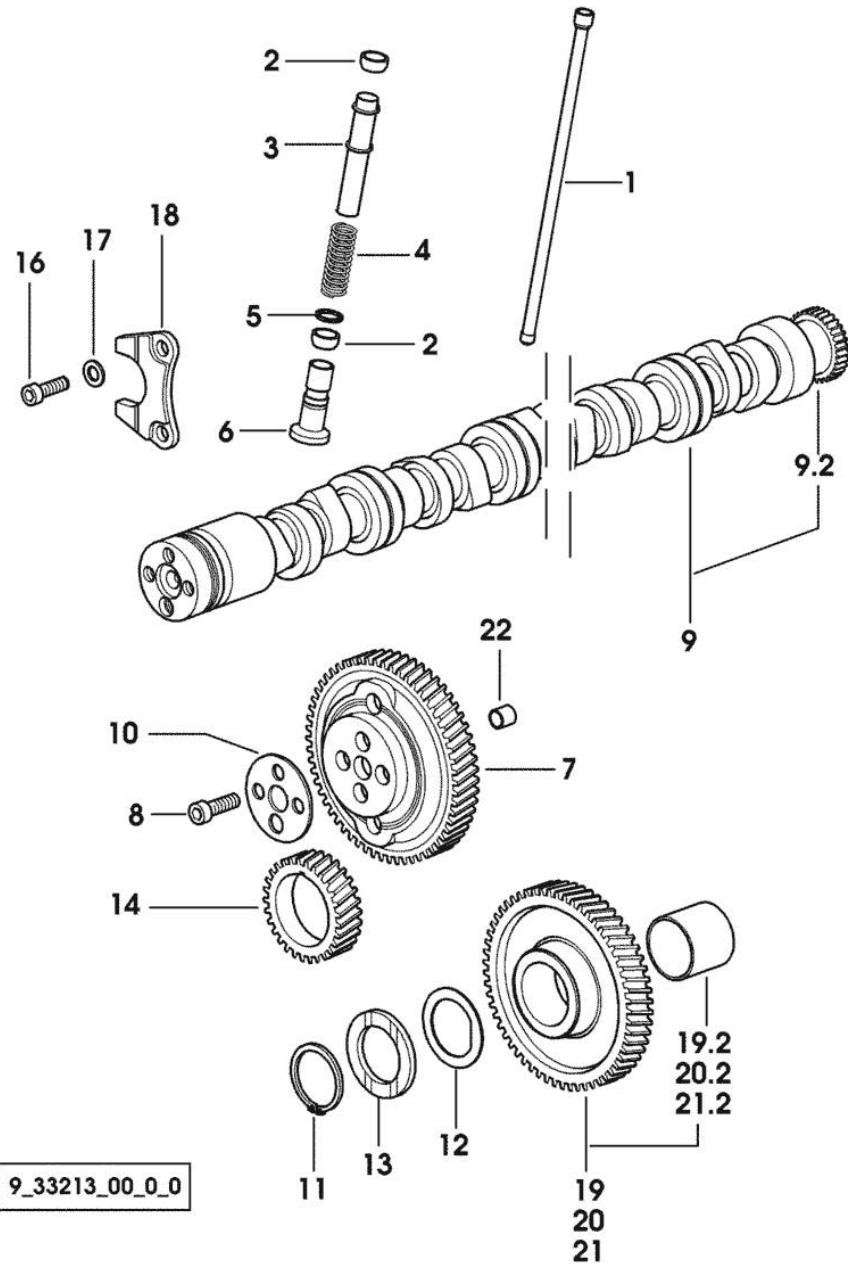


Fig.	P/n	QTY	Name
------	-----	-----	------

Notes:  
[GOLDEN 75 compatto]

1	0.065.1331.2	8	rod
2	2.1569.114.0/10	16	gasket 14x18.5x8
3	0.065.1332.0	8	sleeve
4	2.4019.300.1/10	8	spring 18.5x52x2
5	2.1599.437.0	8	shoulder ring
6	0.065.1330.0	8	tappets
7	0.065.1354.0/20	1	gear z=58
8	2.0132.207.2	4	screw m 10 p.1 x 25
9	0.066.1310.3/40	1	camshaft
9.2	0.065.1324.0/10	1	gear Z = 32
10	0.065.1350.0	1	small disc
11	2.1410.016.1	1	circlip 40
12	0.065.1352.0	1	shim
13	0.065.1351.0	2	shoulder ring
14	0.065.1323.0/30	1	gear Z = 29
16	2.0312.205.2	2	screw
17	2.1480.014.1	2	washer 8
18	0.065.1353.0	1	small plate
19	0.007.1177.3/20		gear z = 57 - WITH RED IDENTIFICATION STAMP
19.2	2.1559.185.0/10	1	bushing
20	0.007.1178.3/20		gear z = 57 - WITH YELLOW IDENTIFICATION STAMP
20.2	2.1559.185.0/10	1	bushing
21	0.007.1179.3/20	1	gear z = 57 - WITH GREEN IDENTIFICATION STAMP
21.2	2.1559.185.0/10	1	bushing
22	2.1559.398.0	1	bushing 10.5x13x12 -> 1355 X GOLDEN 75 Compatto -> 1166 X GOLDEN 85 Compatto

**<https://www.ebooklibonline.com>**

Hello dear friend!

Thank you very much for reading.

Enter the link into your browser.

The full manual is available for immediate download.

**<https://www.ebooklibonline.com>**