

FRUTTETO³ S 90 -> 5001/15001 /ACTIVEDRIVE

Section: B0 - ENGINE

Ref: B0.00.0 (1)

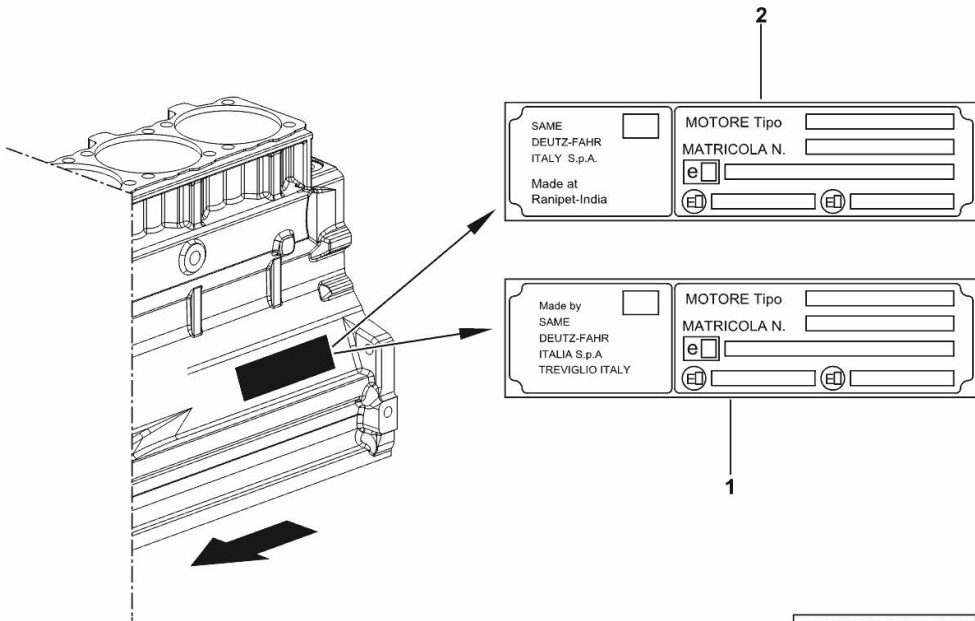
ENGINE TYPE-APPROVAL DATA PLATE

Fig.	P/n	QTY	Name
------	-----	-----	------

Notes:

[FRUTTETO 3 S 90 2WD -> ZKDP6101W0TS05001] [FRUTTETO 3 S 90 4WD -> ZKDP6102W0TS05001]

1	0.000.0000.1	cannot be supplied MADE BY TREVIGLIO ITALY
2	0.000.0000.1	cannot be supplied MADE AT RANIPET - INDIA



9_STA000_00_0-A-001

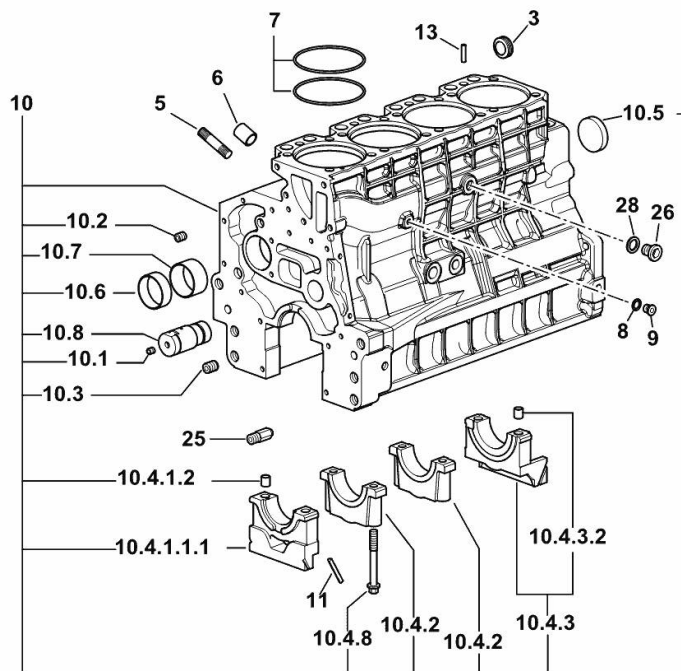
CRANKCASE

Fig.	P/n	QTY	Name
------	-----	-----	------

Notes:

FOR ENGINES PRODUCED IN : RANIPET - INDIA [FRUTTETO 3 S 90 2WD -> ZKDP6101W0TS05001] FOR

ENGINES PRODUCED IN : RANIPET - INDIA [FRUTTETO 3 S 90 4WD -> ZKDP6102W0TS05001]



I9_O1011_00_0-A-001

3	2.3199.312.2/20	1	plug m 35x1.5x9.5
5	2.0439.279.7	8	stud bolt m 8 p.1 x 25
6	2.1559.188.2	4	bush 11.4 x 14 x16
7	2.1539.259.0	8	special oil seal 107.62x2.62
8	2.1560.010.0	1	gasket 14.2 x 20
9	2.3199.292.0	1	plug 1/4" gas
10	0.014.9655.4/30	1	crankcase
10.1	2.3130.001.1	14	plug 1/8" gas
10.2	2.3130.002.1	4	plug 1/4" gas
10.3	2.3130.003.1	6	plug 3/8" gas
10.4.1.1.1	0.065.1112.7/10	1	support
10.4.1.2	2.1699.165.0	1	bush 12.3x15x16
10.4.2	0.065.1114.0/10	3	support
10.4.3	0.065.1116.3	1	support
10.4.3.2	2.1699.165.0	1	bush 12.3x15x16
10.4.8	0.065.1117.0	10	screw m 12 x 100
10.5	2.3179.012.0	1	plug 60
10.6	0.065.1140.0	4	special bushing 59X55X20
10.7	0.065.1141.0	1	special bushing 59X55X30
10.8	0.014.1340.0/10	1	pin mm 85
11	0.066.1152.0/10	4	gasket
13	2.1549.154.2	4	bush 4.8x5.8x16
25	0.013.4946.0/10	1	sprayer nozzle
26	2.3120.101.0	1	plug m 18 p.1.5
28	2.1560.014.0	1	washer 18.2 x 24

<https://www.ebooklibonline.com>

Hello dear friend!

Thank you very much for reading.

Enter the link into your browser.

The full manual is available for immediate download.

<https://www.ebooklibonline.com>

FRUTTETO³ S 90 -> 5001/15001 /ACTIVEDRIVE

Section: B0 - ENGINE

Ref: B0.01.4 (1)

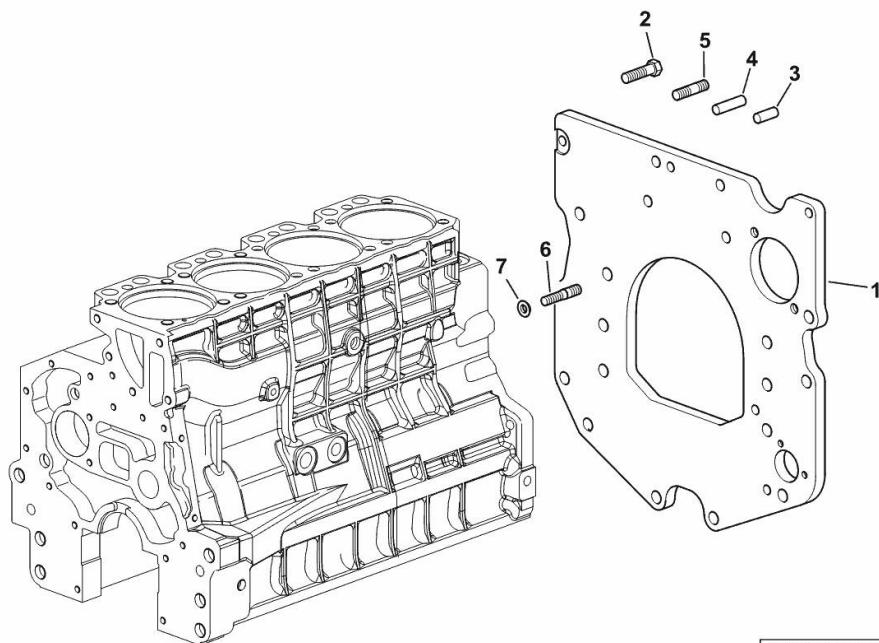
MONOBLOC ENGINE-GEARBOX CONNECTING FLANGE

Fig.	P/n	QTY	Name
------	-----	-----	------

Notes:

FOR ENGINES PRODUCED IN : TREVIGLIO ITALY [FRUTTETO 3 S 90 2WD -> ZKDP6101W0TS05001] FOR ENGINES PRODUCED IN : TREVIGLIO ITALY [FRUTTETO 3 S 90 4WD -> ZKDP6102W0TS05001]

1	0.007.1882.0/50	1	flange
2	2.0112.511.2	8	screw m 14 p.2 x 30
3	2.1651.912.0	2	cylindrical plug 12x28
4	2.1651.917.0	1	cylindrical plug 12x40
5	2.0432.257.7	1	stud bolt m 12 p.1.75 - 1.25 x 30
6	2.0439.250.7	1	stud bolt m 12 / m 10 x 30
7	0.011.9294.0/10	1	bush



9_38611_01_0-A-001

FRUTTETO³ S 90 -> 5001/15001 /ACTIVEDRIVE

Section: B0 - ENGINE

Ref: B0.01.5 (1)

MONOBLOC ENGINE-GEARBOX CONNECTING FLANGE

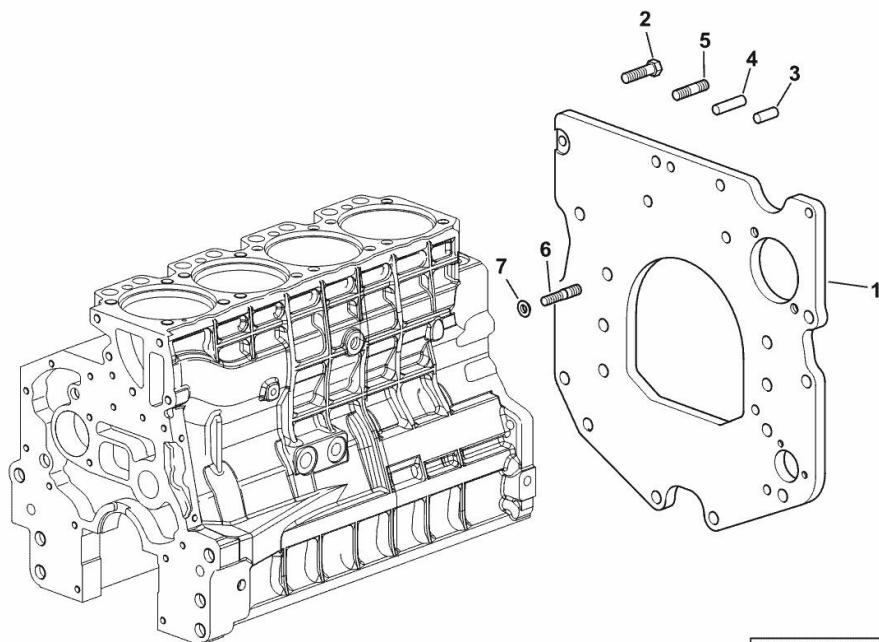
Fig.	P/n	QTY	Name
------	-----	-----	------

Notes:

FOR ENGINES PRODUCED IN : RANIPET - INDIA [FRUTTETO 3 S 90 2WD -> ZKDP6101W0TS05001] FOR

ENGINES PRODUCED IN : RANIPET - INDIA [FRUTTETO 3 S 90 4WD -> ZKDP6102W0TS05001]

1	0.007.1882.0/50	1	flange
2	2.0112.511.2	8	screw m 14 p.2 x 30
3	2.1651.912.0	2	cylindrical plug 12x28
4	2.1651.917.0	1	cylindrical plug 12x40
5	2.0432.257.7	1	stud bolt m 12 p.1.75 - 1.25 x 30
6	2.0439.250.7	1	stud bolt m 12 / m 10 x 30
7	0.011.9294.0/10	1	bush



I9_38611_01_0-A-001

FRUTTETO³ S 90 -> 5001/15001 /ACTIVEDRIVE

Section: B0 - ENGINE

Ref: B0.01.6 (1)

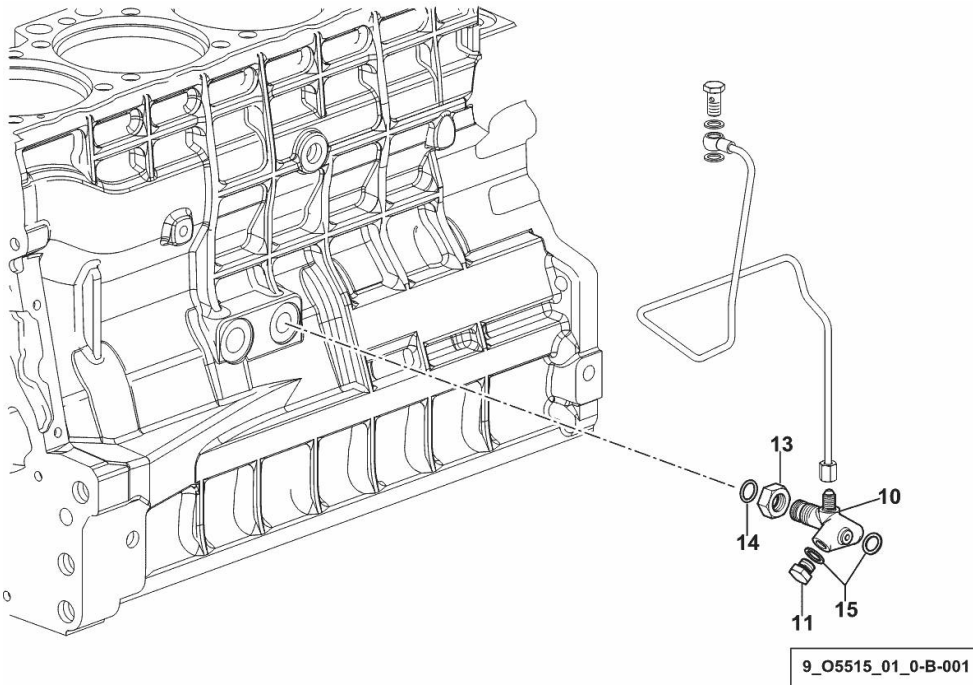
ENGINE OIL AND TURBO PRESSURE SWITCH UNION

Fig.	P/n	QTY	Name
------	-----	-----	------

Notes:

FOR ENGINES PRODUCED IN : TREVIGLIO ITALY [FRUTTETO 3 S 90 2WD -> ZKDP6101W0TS05001] FOR ENGINES PRODUCED IN : TREVIGLIO ITALY [FRUTTETO 3 S 90 4WD -> ZKDP6102W0TS05001]

10	2.3339.787.0/10	1	pipe fitting 7/16"
11	2.3110.403.1	1	plug m 14 p.1.5x12
13	2.1019.129.2/10	1	nut m 18 p.1.5x12
14	2.1533.038.0	1	oil seal 15.45x2.62
15	2.1560.010.0	2	gasket 14.2 x 20



FRUTTETO³ S 90 -> 5001/15001 /ACTIVEDRIVE

Section: B0 - ENGINE

Ref: B0.01.7 (1)

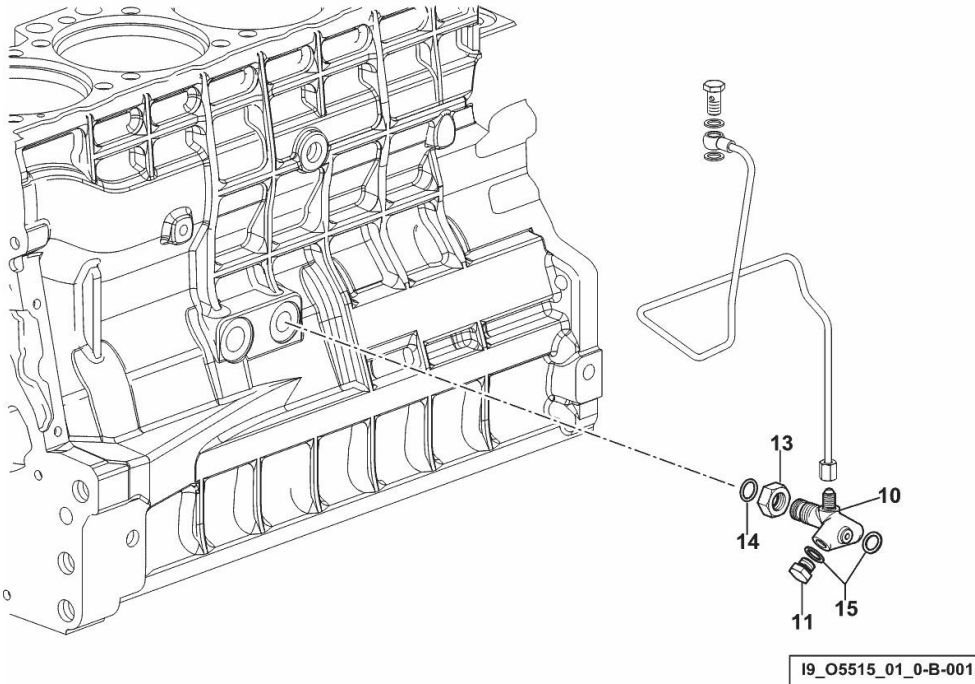
ENGINE OIL AND TURBO PRESSURE SWITCH UNION

Fig.	P/n	QTY	Name
------	-----	-----	------

Notes:

FOR ENGINES PRODUCED IN : RANIPET - INDIA [FRUTTETO 3 S 90 2WD -> ZKDP6101W0TS05001] FOR
 ENGINES PRODUCED IN : RANIPET - INDIA [FRUTTETO 3 S 90 4WD -> ZKDP6102W0TS05001]

10	2.3339.787.0/10	1	pipe fitting 7/16"
11	2.3110.403.1	1	plug m 14 p.1.5x12
13	2.1019.129.2/10	1	nut m 18 p.1.5x12
14	2.1533.038.0	1	oil seal 15.45x2.62
15	2.1560.010.0	2	gasket 14.2 x 20



FRUTTETO³ S 90 -> 5001/15001 /ACTIVEDRIVE

Section: B0 - ENGINE

Ref: B0.01.8 (1)

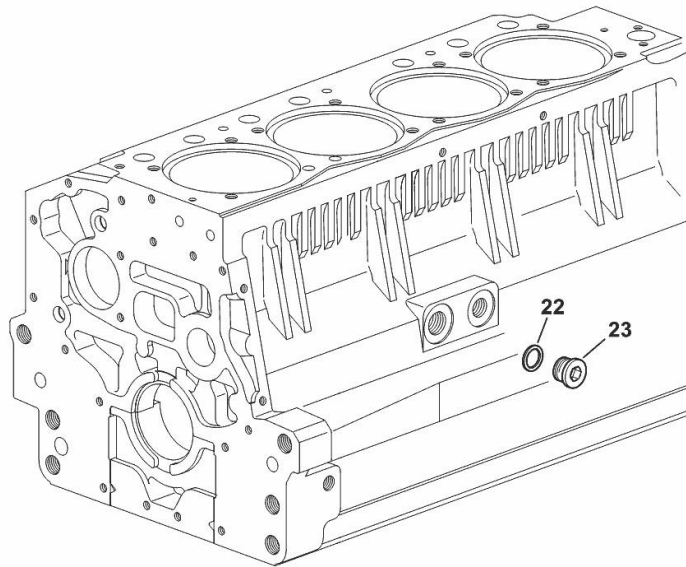
SIDE PLUG FOR CYLINDER BLOCK

Fig.	P/n	QTY	Name
------	-----	-----	------

Notes:

FOR ENGINES PRODUCED IN : TREVIGLIO ITALY [FRUTTETO 3 S 90 2WD -> ZKDP6101W0TS05001] FOR ENGINES PRODUCED IN : TREVIGLIO ITALY [FRUTTETO 3 S 90 4WD -> ZKDP6102W0TS05001]

22	2.1560.017.0	1	gasket 22.2 x 27
23	2.3120.002.4	1	plug m 22 x 1.5



9_33211_07_0-A-001

FRUTTETO³ S 90 -> 5001/15001 /ACTIVEDRIVE

Section: B0 - ENGINE

Ref: B0.01.9 (1)

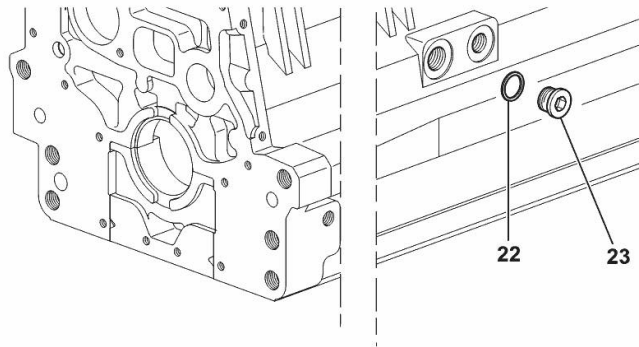
SIDE PLUG FOR CYLINDER BLOCK

Fig.	P/n	QTY	Name
------	-----	-----	------

Notes:

FOR ENGINES PRODUCED IN : RANIPET - INDIA [FRUTTETO 3 S 90 2WD -> ZKDP6101W0TS05001] FOR
ENGINES PRODUCED IN : RANIPET - INDIA [FRUTTETO 3 S 90 4WD -> ZKDP6102W0TS05001]

22	2.1560.017.0	1	gasket 22.2 x 27
23	2.3120.002.4	1	plug m 22 x 1.5



I9_33211_07_0-A-001

FRUTTETO³ S 90 -> 5001/15001 /ACTIVEDRIVE

Section: B0 - ENGINE

Ref: B0.01.10 (1)

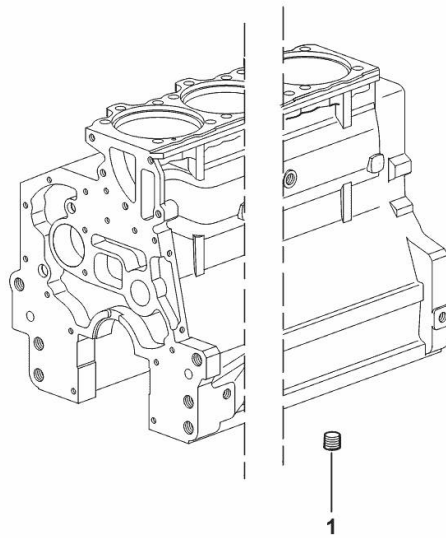
LOWER PLUG FOR CYLINDER BLOCKS

Fig.	P/n	QTY	Name
------	-----	-----	------

Notes:

FOR ENGINES PRODUCED IN : TREVIGLIO ITALY [FRUTTETO 3 S 90 2WD -> ZKDP6101W0TS05001] FOR ENGINES PRODUCED IN : TREVIGLIO ITALY [FRUTTETO 3 S 90 4WD -> ZKDP6102W0TS05001]

1	2.3130.003.1	2	plug 3/8" gas
---	--------------	---	---------------



9_33311_06_0-A-001

FRUTTETO³ S 90 -> 5001/15001 /ACTIVEDRIVE

Section: B0 - ENGINE

Ref: B0.01.11 (1)

LOWER PLUG FOR CYLINDER BLOCKS

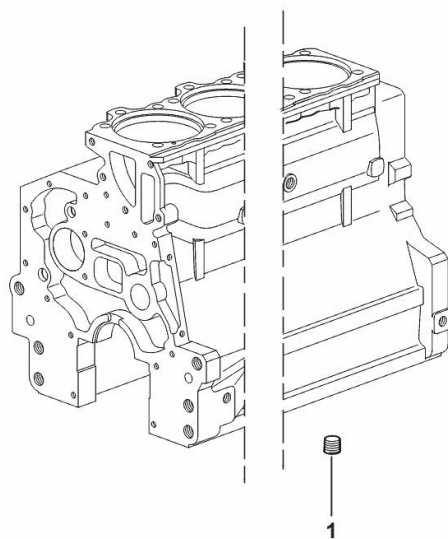
Fig.	P/n	QTY	Name
------	-----	-----	------

Notes:

FOR ENGINES PRODUCED IN : RANIPET - INDIA [FRUTTETO 3 S 90 2WD -> ZKDP6101W0TS05001] FOR

ENGINES PRODUCED IN : RANIPET - INDIA [FRUTTETO 3 S 90 4WD -> ZKDP6102W0TS05001]

1	2.3130.003.1	2	plug 3/8" gas
---	--------------	---	---------------



19_37511_06_0-A-001

FRUTTETO³ S 90 -> 5001/15001 /ACTIVEDRIVE

Section: B0 - ENGINE

Ref: B0.02.0 (1)

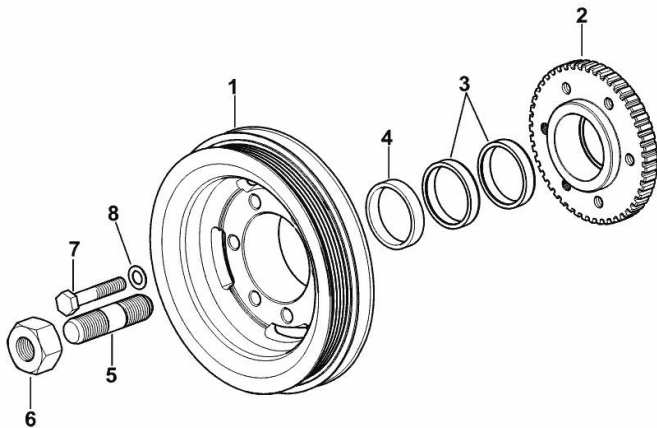
ENGINE CRANKSHAFT PULLEY WITH RING-FEEDER RINGS

Fig.	P/n	QTY	Name
------	-----	-----	------

Notes:

FOR ENGINES PRODUCED IN : TREVIGLIO ITALY [FRUTTETO 3 S 90 2WD -> ZKDP6101W0TS05001] FOR ENGINES PRODUCED IN : TREVIGLIO ITALY [FRUTTETO 3 S 90 4WD -> ZKDP6102W0TS05001]

1	0.015.6055.0	1	pulley
2	0.011.3515.0/20	1	hub Z = 48
3	0.065.1256.0	2	ring 45x52
4	2.1579.865.0	1	spacer 45.2x51.8x10
5	2.0439.195.7	1	stud bolt m 20 p.1.5x80
6	2.1019.094.7	1	nut m 20 p.1.5
7	2.0112.320.2	6	screw m 10 p.1.5 x 55
8	2.1470.006.2	6	lock washer 10



9_O6312_03_0-A-001

FRUTTETO³ S 90 -> 5001/15001 /ACTIVEDRIVE

Section: B0 - ENGINE

Ref: B0.02.1 (1)

ENGINE CRANKSHAFT PULLEY WITH RING-FEEDER RINGS

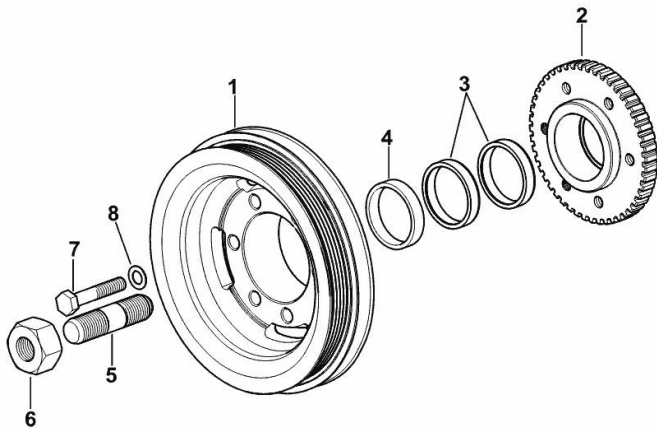
Fig.	P/n	QTY	Name
------	-----	-----	------

Notes:

FOR ENGINES PRODUCED IN : RANIPET - INDIA [FRUTTETO 3 S 90 2WD -> ZKDP6101W0TS05001] FOR

ENGINES PRODUCED IN : RANIPET - INDIA [FRUTTETO 3 S 90 4WD -> ZKDP6102W0TS05001]

1	0.015.6055.0	1	pulley
2	0.011.3515.0/20	1	hub Z = 48
3	0.065.1256.0	2	ring 45x52
4	2.1579.865.0	1	spacer 45.2x51.8x10
5	2.0439.195.7	1	stud bolt m 20 p.1.5x80
6	2.1019.094.7	1	nut m 20 p.1.5
7	2.0112.320.2	6	screw m 10 p.1.5 x 55
8	2.1470.006.2	6	lock washer 10



I9_O6312_03_0-A-001



Suggest:

For more complete manuals. Please go to the home page.

<https://www.ebooklibonline.com>

If the above button click is invalid. Please download this document first, and then click the above link to download the complete manual.

Thank you so much for reading

FRUTTETO³ S 90 -> 5001/15001 /ACTIVEDRIVE

Section: B0 - ENGINE

Ref: B0.02.2 (1)

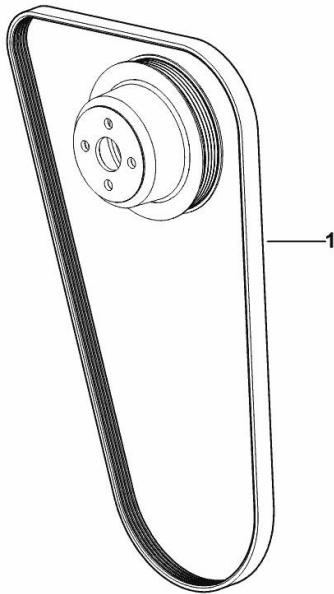
COOLANT PUMP AND ALTERNATOR DRIVEBELT

Fig.	P/n	QTY	Name
------	-----	-----	------

Notes:

[FRUTTETO 3 S 90 2WD -> ZKDP6101W0TS05001] [FRUTTETO 3 S 90 4WD -> ZKDP6102W0TS05001]
[FRUTTETO 3 S 90 4WD -> ZKDP6102W0TS05001] 5069 <- [FRUTTETO 3 S 90 4WD -> ZKDP6102W0TS05001]
>- 15026 - 15040 <-

1	2.4119.187.0	1	belt PV-K5 (mm 1230)
---	--------------	---	----------------------



9_O6817_09_0-A-001

FRUTTETO³ S 90 -> 5001/15001 /ACTIVEDRIVE

Section: B0 - ENGINE

Ref: B0.02.3 (1)

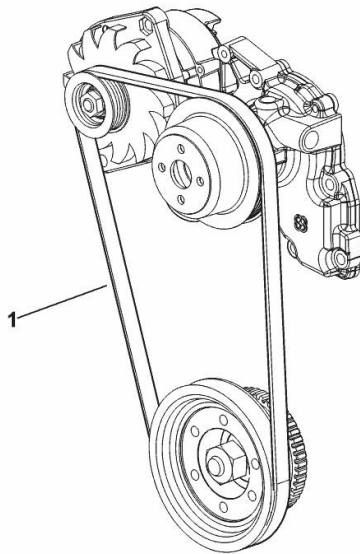
COOLANT PUMP AND ALTERNATOR DRIVEBELT

Fig.	P/n	QTY	Name
------	-----	-----	------

Notes:

[FRUTTETO 3 S 90 4WD -> ZKDP6102W0TS05001] -> 5075 - 5109 <-

1	2.4119.195.0	1	belt PV-K5 (mm 17.4x1250)
---	--------------	---	-----------------------------



9_N2517_09_0-A-001

<https://www.ebooklibonline.com>

Hello dear friend!

Thank you very much for reading.

Enter the link into your browser.

The full manual is available for immediate download.

<https://www.ebooklibonline.com>