

FRUTTETO<sup>3</sup> S 90 -> 1001/10001 /ACTIVEDRIVE

Section: B0 - ENGINE

Ref: B0.00.0 (1)

**ENGINE TYPE-APPROVAL DATA PLATE**

Fig.	P/n	QTY	Name
------	-----	-----	------

**Notes:**

[FRUTTETO 3 S 90 2WD -> ZKDP4901W0TS01001] [FRUTTETO 3 S 90 4WD -> ZKDP4902W0TS01001]

1	0.000.0000.1	cannot be supplied MADE BY TREVIGLIO ITALY
2	0.000.0000.1	cannot be supplied MADE AT RANIPET - INDIA



9\_STA000\_00\_0-A-001

FRUTTETO<sup>3</sup> S 90 -> 1001/10001 /ACTIVEDRIVE

Section: B0 - ENGINE

Ref: B0.01.2 (1)

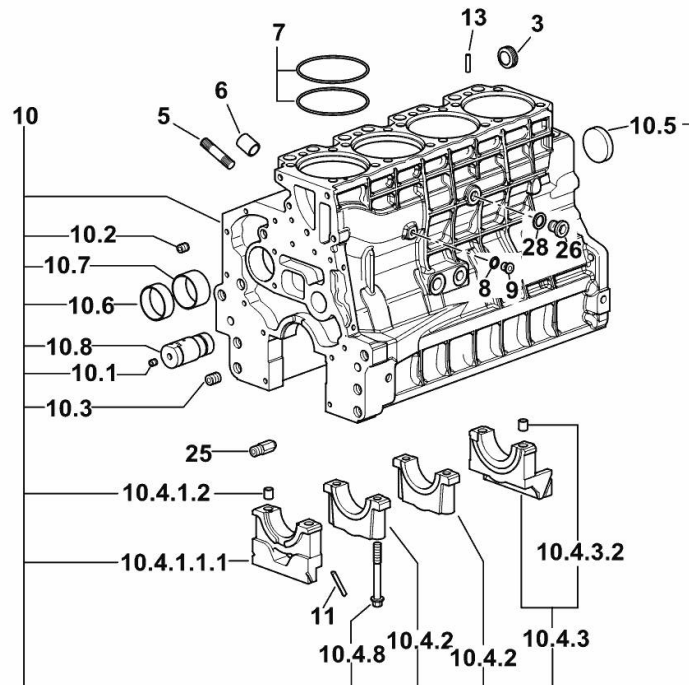
CRANKCASE

Fig.	P/n	QTY	Name
------	-----	-----	------

Notes:

FOR ENGINES PRODUCED IN : TREVIGLIO ITALY [FRUTTETO 3 S 90 2WD -> ZKDP4901W0TS01001] FOR

ENGINES PRODUCED IN : TREVIGLIO ITALY [FRUTTETO 3 S 90 4WD -> ZKDP4902W0TS01001]



9\_O1011\_00\_0-A-001

3	2.3199.312.2/20	1	plug m 35x1.5x9.5
5	2.0439.279.7	8	stud bolt m 8 p.1 x 25
6	2.1559.188.2	4	bush 11.4 x 14 x16
7	2.1539.259.0	8	special oil seal 107.62x2.62
8	2.1560.010.0	1	gasket 14.2 x 20
9	2.3199.292.0	1	plug 1/4" gas
10	0.014.9655.4/30	1	crankcase
10.1	2.3130.001.1	14	plug 1/8" gas
10.2	2.3130.002.1	4	plug 1/4" gas
10.3	2.3130.003.1	6	plug 3/8" gas
10.4.1.1.1	0.065.1112.7/10	1	support
10.4.1.2	2.1699.165.0	1	bush 12.3x15x16
10.4.2	0.065.1114.0/10	3	support
10.4.3	0.065.1116.3	1	support
10.4.3.2	2.1699.165.0	1	bush 12.3x15x16
10.4.8	0.065.1117.0	10	screw m 12 x 100
10.5	2.3179.012.0	1	plug 60
10.6	0.065.1140.0	4	special bushing 59X55X20
10.7	0.065.1141.0	1	special bushing 59X55X30
10.8	0.014.1340.0/10	1	pin mm 85
11	0.066.1152.0/10	4	gasket
13	2.1549.154.2	4	bush 4.8x5.8x16
25	0.013.4946.0/10	1	sprayer nozzle
26	2.3120.101.0	1	plug m 18 p.1.5
28	2.1560.014.0	1	washer 18.2 x 24

FRUTTETO<sup>3</sup> S 90 -> 1001/10001 /ACTIVEDRIVE

Section: B0 - ENGINE

Ref: B0.01.3 (1)

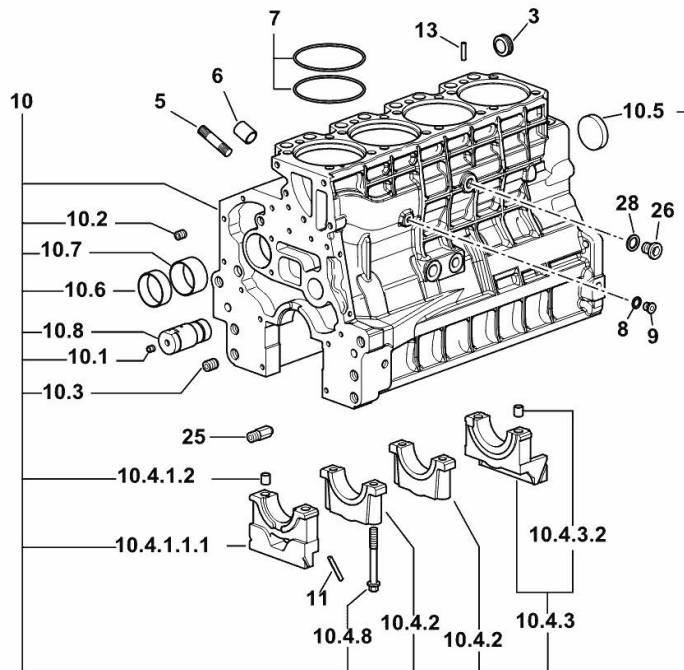
**CRANKCASE**

Fig.	P/n	QTY	Name
------	-----	-----	------

**Notes:**

FOR ENGINES PRODUCED IN : RANIPET - INDIA [FRUTTETO 3 S 90 2WD -> ZKDP4901W0TS01001] FOR

ENGINES PRODUCED IN : RANIPET - INDIA [FRUTTETO 3 S 90 4WD -> ZKDP4902W0TS01001]



3	2.3199.312.2/20	1	plug m 35x1.5x9.5
5	2.0439.279.7	8	stud bolt m 8 p.1 x 25
6	2.1559.188.2	4	bush 11.4 x 14 x16
7	2.1539.259.0	8	special oil seal 107.62x2.62
8	2.1560.010.0	1	gasket 14.2 x 20
9	2.3199.292.0	1	plug 1/4" gas
10	0.014.9655.4/30	1	crankcase
10.1	2.3130.001.1	14	plug 1/8" gas
10.2	2.3130.002.1	4	plug 1/4" gas
10.3	2.3130.003.1	6	plug 3/8" gas
10.4.1.1.1	0.065.1112.7/10	1	support
10.4.1.2	2.1699.165.0	1	bush 12.3x15x16
10.4.2	0.065.1114.0/10	3	support
10.4.3	0.065.1116.3	1	support
10.4.3.2	2.1699.165.0	1	bush 12.3x15x16
10.4.8	0.065.1117.0	10	screw m 12 x 100
10.5	2.3179.012.0	1	plug 60
10.6	0.065.1140.0	4	special bushing 59X55X20
10.7	0.065.1141.0	1	special bushing 59X55X30
10.8	0.014.1340.0/10	1	pin mm 85
11	0.066.1152.0/10	4	gasket
13	2.1549.154.2	4	bush 4.8x5.8x16
25	0.013.4946.0/10	1	sprayer nozzle
26	2.3120.101.0	1	plug m 18 p.1.5
28	2.1560.014.0	1	washer 18.2 x 24

**<https://www.ebooklibonline.com>**

Hello dear friend!

Thank you very much for reading.

Enter the link into your browser.

The full manual is available for immediate download.

**<https://www.ebooklibonline.com>**

**FRUTTETO<sup>3</sup> S 90 -> 1001/10001 /ACTIVEDRIVE**

Section: B0 - ENGINE

Ref: B0.01.4 (1)

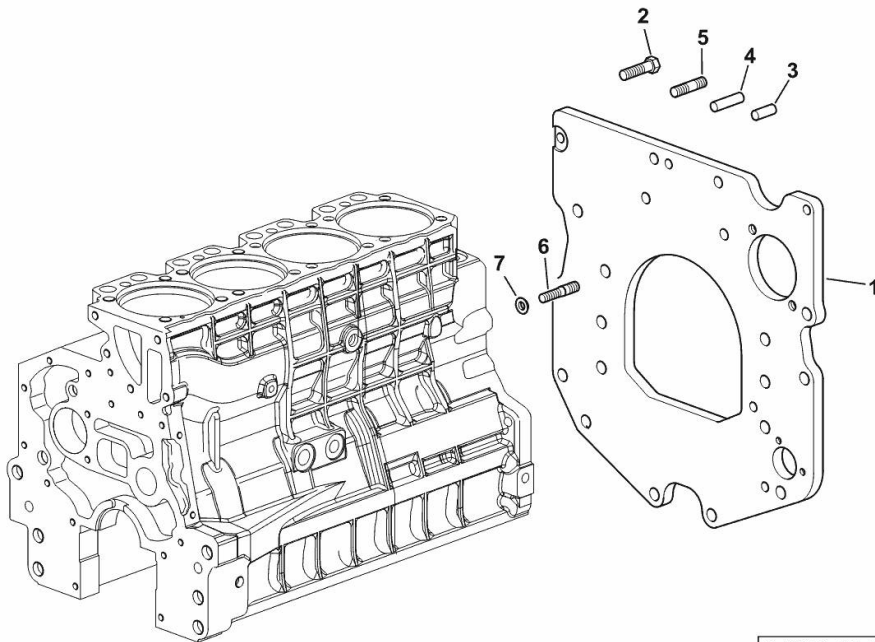
**MONOBLOC ENGINE-GEARBOX CONNECTING FLANGE**

Fig.	P/n	QTY	Name
------	-----	-----	------

**Notes:**

FOR ENGINES PRODUCED IN : TREVIGLIO ITALY [FRUTTETO 3 S 90 2WD -> ZKDP4901W0TS01001] FOR ENGINES PRODUCED IN : TREVIGLIO ITALY [FRUTTETO 3 S 90 4WD -> ZKDP4902W0TS01001]

1	0.007.1882.0/50	1	flange
2	2.0112.511.2	8	screw m 14 p.2 x 30
3	2.1651.912.0	2	cylindrical plug 12x28
4	2.1651.917.0	1	cylindrical plug 12x40
5	2.0432.257.7	1	stud bolt m 12 p.1.75 - 1.25 x 30
6	2.0439.250.7	1	stud bolt m 12 / m 10 x 30
7	0.011.9294.0/10	1	bush



9\_38611\_01\_0-A-001

**FRUTTETO<sup>3</sup> S 90 -> 1001/10001 /ACTIVEDRIVE**

Section: B0 - ENGINE

Ref: B0.01.5 (1)

**MONOBLOC ENGINE-GEARBOX CONNECTING FLANGE**

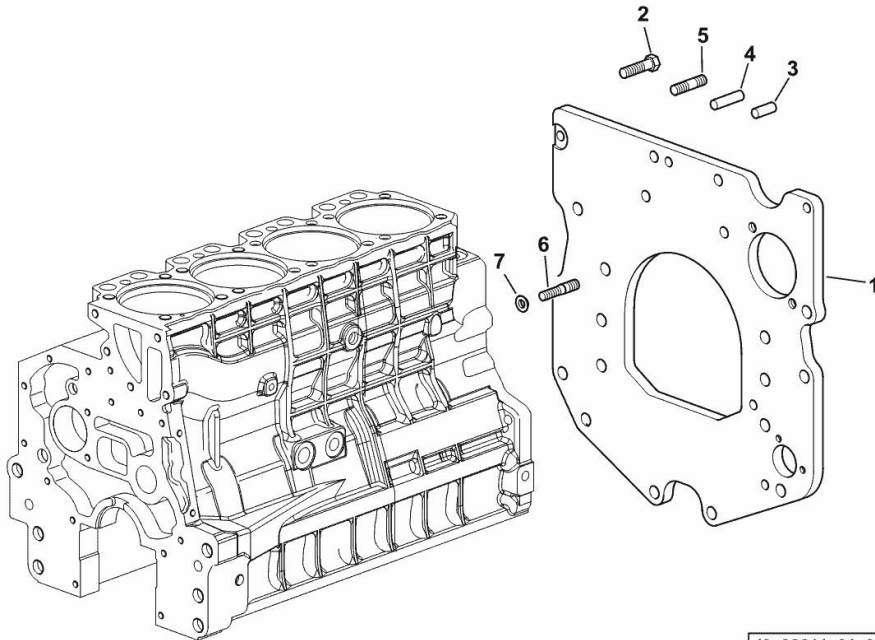
Fig.	P/n	QTY	Name
------	-----	-----	------

**Notes:**

FOR ENGINES PRODUCED IN : RANIPET - INDIA [FRUTTETO 3 S 90 2WD -> ZKDP4901W0TS01001] FOR

ENGINES PRODUCED IN : RANIPET - INDIA [FRUTTETO 3 S 90 4WD -> ZKDP4902W0TS01001]

1	0.007.1882.0/50	1	flange
2	2.0112.511.2	8	screw m 14 p.2 x 30
3	2.1651.912.0	2	cylindrical plug 12x28
4	2.1651.917.0	1	cylindrical plug 12x40
5	2.0432.257.7	1	stud bolt m 12 p.1.75 - 1.25 x 30
6	2.0439.250.7	1	stud bolt m 12 / m 10 x 30
7	0.011.9294.0/10	1	bush



I9\_38611\_01\_0-A-001

**FRUTTETO<sup>3</sup> S 90 -> 1001/10001 /ACTIVEDRIVE**

Section: B0 - ENGINE

Ref: B0.01.6 (1)

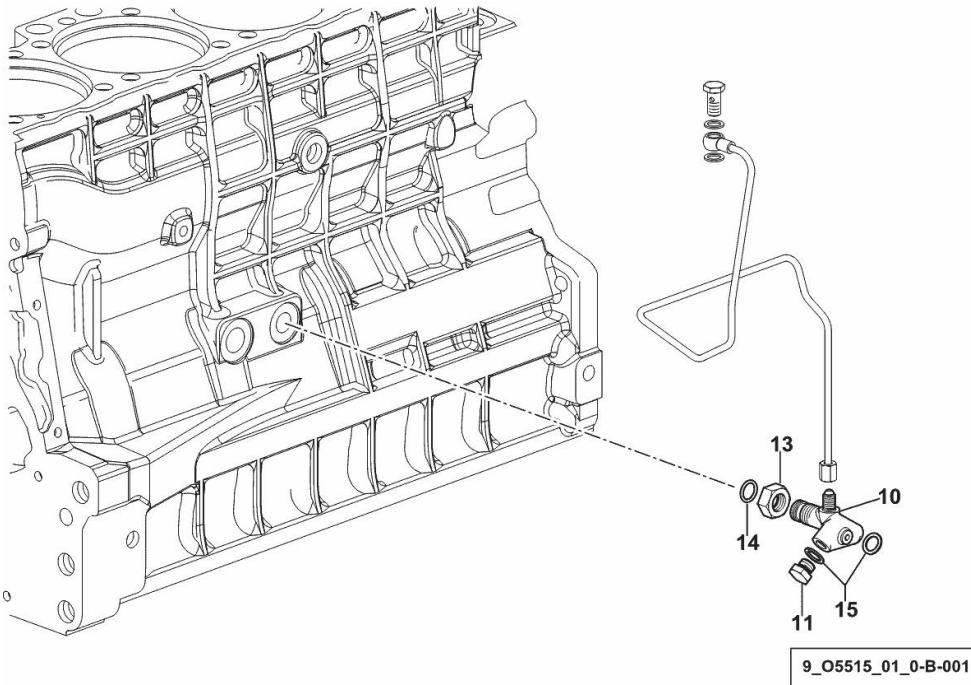
**ENGINE OIL AND TURBO PRESSURE SWITCH UNION**

Fig.	P/n	QTY	Name
------	-----	-----	------

**Notes:**

FOR ENGINES PRODUCED IN : TREVIGLIO ITALY [FRUTTETO 3 S 90 2WD -> ZKDP4901W0TS01001] FOR ENGINES PRODUCED IN : TREVIGLIO ITALY [FRUTTETO 3 S 90 4WD -> ZKDP4902W0TS01001]

10	2.3339.787.0/10	1	pipe fitting 7/16"
11	2.3110.403.1	1	plug m 14 p.1.5x12
13	2.1019.129.2/10	1	nut m 18 p.1.5x12
14	2.1533.038.0	1	oil seal 15.45x2.62
15	2.1560.010.0	2	gasket 14.2 x 20



**FRUTTETO<sup>3</sup> S 90 -> 1001/10001 /ACTIVEDRIVE**

Section: B0 - ENGINE

Ref: B0.01.7 (1)

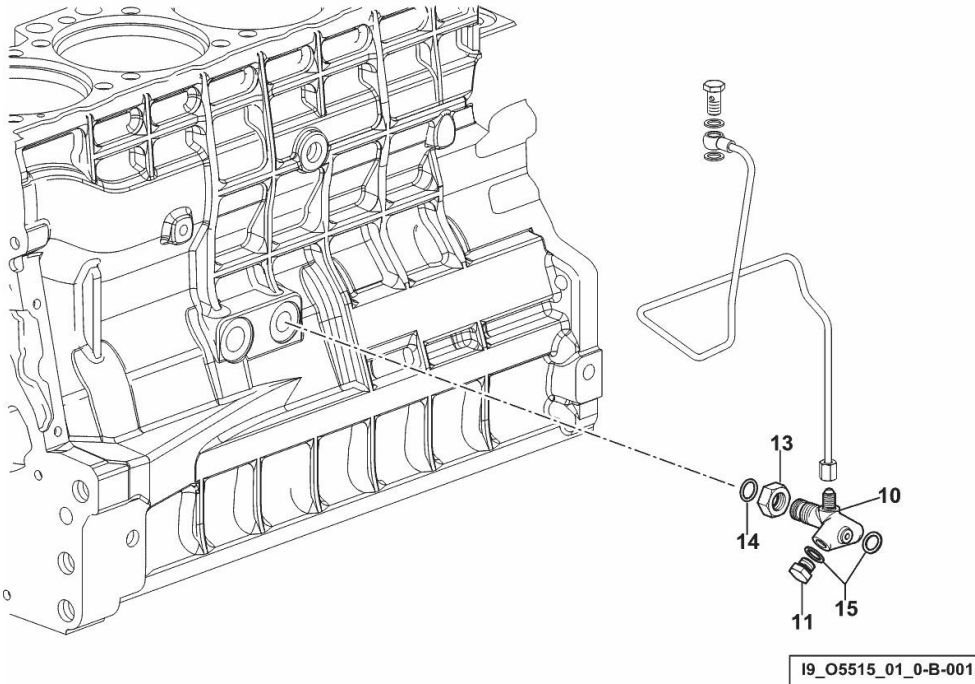
**ENGINE OIL AND TURBO PRESSURE SWITCH UNION**

Fig.	P/n	QTY	Name
------	-----	-----	------

**Notes:**

FOR ENGINES PRODUCED IN : RANIPET - INDIA [FRUTTETO 3 S 90 2WD -> ZKDP4901W0TS01001] FOR  
 ENGINES PRODUCED IN : RANIPET - INDIA [FRUTTETO 3 S 90 4WD -> ZKDP4902W0TS01001]

10	2.3339.787.0/10	1	pipe fitting 7/16"
11	2.3110.403.1	1	plug m 14 p.1.5x12
13	2.1019.129.2/10	1	nut m 18 p.1.5x12
14	2.1533.038.0	1	oil seal 15.45x2.62
15	2.1560.010.0	2	gasket 14.2 x 20



**FRUTTETO<sup>3</sup> S 90 -> 1001/10001 /ACTIVEDRIVE**

Section: B0 - ENGINE

Ref: B0.01.8 (1)

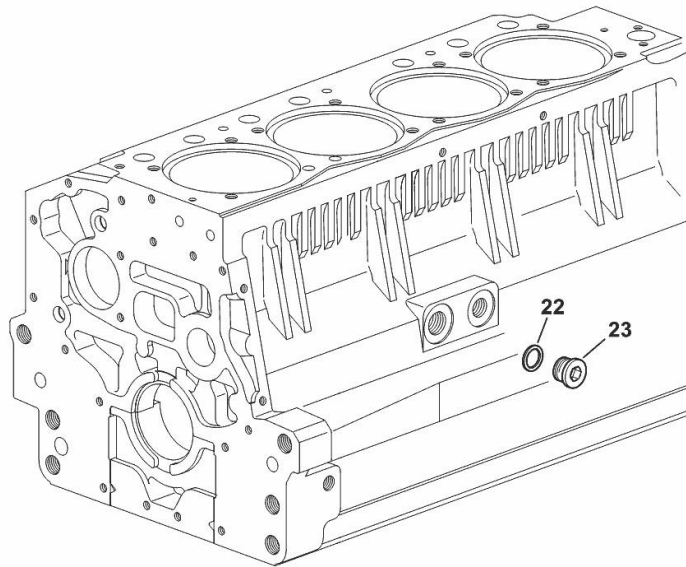
**SIDE PLUG FOR CYLINDER BLOCK**

Fig.	P/n	QTY	Name
------	-----	-----	------

**Notes:**

FOR ENGINES PRODUCED IN : TREVIGLIO ITALY [FRUTTETO 3 S 90 2WD -> ZKDP4901W0TS01001] FOR ENGINES PRODUCED IN : TREVIGLIO ITALY [FRUTTETO 3 S 90 4WD -> ZKDP4902W0TS01001]

22	2.1560.017.0	1	gasket 22.2 x 27
23	2.3120.002.4	1	plug m 22 x 1.5



9\_33211\_07\_0-A-001

**FRUTTETO<sup>3</sup> S 90 -> 1001/10001 /ACTIVEDRIVE**

Section: B0 - ENGINE

Ref: B0.01.9 (1)

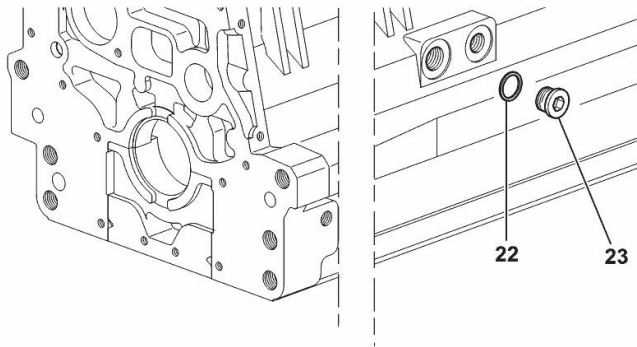
**SIDE PLUG FOR CYLINDER BLOCK**

Fig.	P/n	QTY	Name
------	-----	-----	------

**Notes:**

FOR ENGINES PRODUCED IN : RANIPET - INDIA [FRUTTETO 3 S 90 2WD -> ZKDP4901W0TS01001] FOR  
ENGINES PRODUCED IN : RANIPET - INDIA [FRUTTETO 3 S 90 4WD -> ZKDP4902W0TS01001]

22	2.1560.017.0	1	gasket 22.2 x 27
23	2.3120.002.4	1	plug m 22 x 1.5



I9\_33211\_07\_0-A-001

FRUTTETO<sup>3</sup> S 90 -> 1001/10001 /ACTIVEDRIVE

Section: B0 - ENGINE

Ref: B0.01.10 (1)

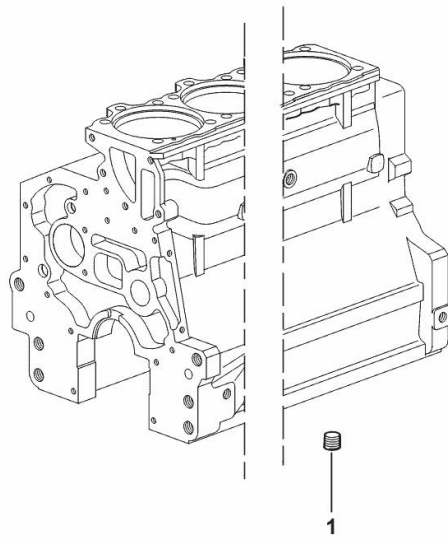
**LOWER PLUG FOR CYLINDER BLOCKS**

Fig.	P/n	QTY	Name
------	-----	-----	------

**Notes:**

FOR ENGINES PRODUCED IN : TREVIGLIO ITALY [FRUTTETO 3 S 90 2WD -> ZKDP4901W0TS01001] FOR ENGINES PRODUCED IN : TREVIGLIO ITALY [FRUTTETO 3 S 90 4WD -> ZKDP4902W0TS01001]

1	2.3130.003.1	2	plug 3/8" gas
---	--------------	---	---------------



9\_33311\_06\_0-A-001

**FRUTTETO<sup>3</sup> S 90 -> 1001/10001 /ACTIVEDRIVE**

Section: B0 - ENGINE

Ref: B0.01.11 (1)

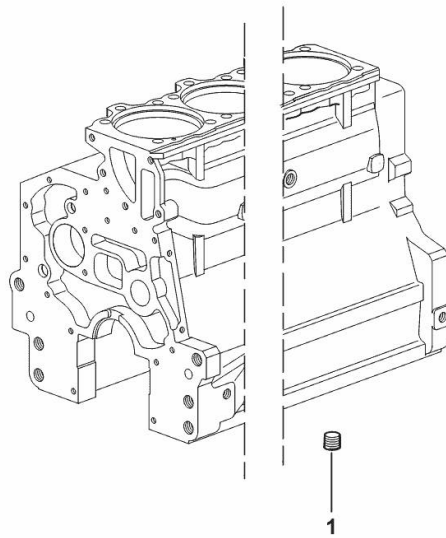
**LOWER PLUG FOR CYLINDER BLOCKS**

Fig.	P/n	QTY	Name
------	-----	-----	------

**Notes:**

FOR ENGINES PRODUCED IN : RANIPET - INDIA [FRUTTETO 3 S 90 2WD -> ZKDP4901W0TS01001] FOR  
ENGINES PRODUCED IN : RANIPET - INDIA [FRUTTETO 3 S 90 4WD -> ZKDP4902W0TS01001]

1	2.3130.003.1	2	plug 3/8" gas
---	--------------	---	---------------



19\_37511\_06\_0-A-001

FRUTTETO<sup>3</sup> S 90 -> 1001/10001 /ACTIVEDRIVE

Section: B0 - ENGINE

Ref: B0.02.0 (1)

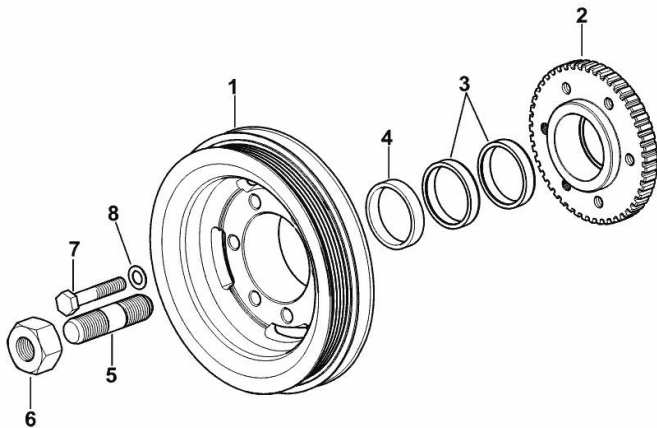
**ENGINE CRANKSHAFT PULLEY WITH RING-FEEDER RINGS**

Fig.	P/n	QTY	Name
------	-----	-----	------

**Notes:**

FOR ENGINES PRODUCED IN : TREVIGLIO ITALY [FRUTTETO 3 S 90 2WD -> ZKDP4901W0TS01001] FOR ENGINES PRODUCED IN : TREVIGLIO ITALY [FRUTTETO 3 S 90 4WD -> ZKDP4902W0TS01001]

1	0.015.6055.0	1	pulley
2	0.011.3515.0/20	1	hub Z = 48
3	0.065.1256.0	2	ring 45x52
4	2.1579.865.0	1	spacer 45.2x51.8x10
5	2.0439.195.7	1	stud bolt m 20 p.1.5x80
6	2.1019.094.7	1	nut m 20 p.1.5
7	2.0112.320.2	6	screw m 10 p.1.5 x 55
8	2.1470.006.2	6	lock washer 10



9\_O6312\_03\_0-A-001

FRUTTETO<sup>3</sup> S 90 -> 1001/10001 /ACTIVEDRIVE

Section: B0 - ENGINE

Ref: B0.02.1 (1)

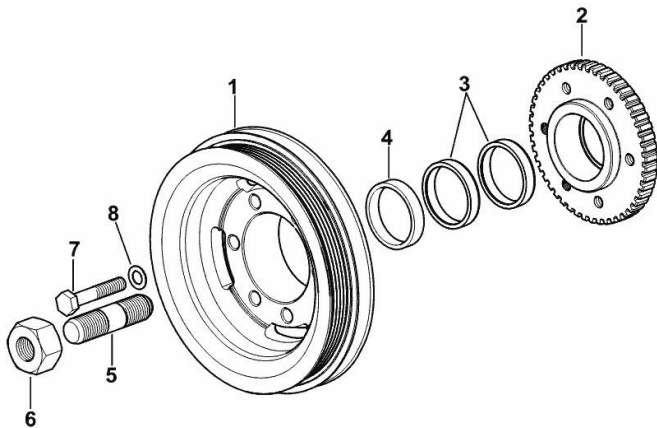
**ENGINE CRANKSHAFT PULLEY WITH RING-FEEDER RINGS**

Fig.	P/n	QTY	Name
------	-----	-----	------

**Notes:**

FOR ENGINES PRODUCED IN : RANIPET - INDIA [FRUTTETO 3 S 90 2WD -> ZKDP4901W0TS01001] FOR ENGINES PRODUCED IN : RANIPET - INDIA [FRUTTETO 3 S 90 4WD -> ZKDP4902W0TS01001]

1	0.015.6055.0	1	pulley
2	0.011.3515.0/20	1	hub Z = 48
3	0.065.1256.0	2	ring 45x52
4	2.1579.865.0	1	spacer 45.2x51.8x10
5	2.0439.195.7	1	stud bolt m 20 p.1.5x80
6	2.1019.094.7	1	nut m 20 p.1.5
7	2.0112.320.2	6	screw m 10 p.1.5 x 55
8	2.1470.006.2	6	lock washer 10



I9\_O6312\_03\_0-A-001



**Suggest:**

**For more complete manuals. Please go to the home page.**

**<https://www.ebooklibonline.com>**

**If the above button click is invalid. Please download this document first, and then click the above link to download the complete manual.**

**Thank you so much for reading**

FRUTTETO<sup>3</sup> S 90 -> 1001/10001 /ACTIVEDRIVE

Section: B0 - ENGINE

Ref: B0.02.2 (1)

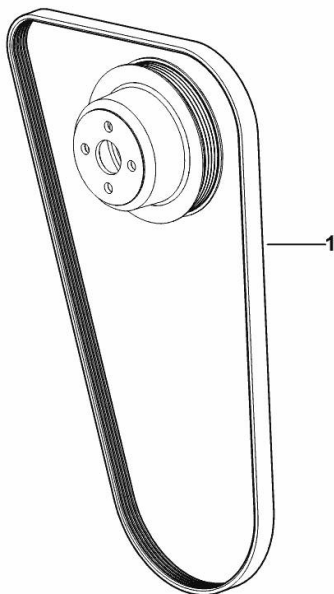
**COOLANT PUMP AND ALTERNATOR DRIVEBELT**

Fig.	P/n	QTY	Name
------	-----	-----	------

**Notes:**

[FRUTTETO 3 S 90 2WD -> ZKDP4901W0TS01001] 1040 <- [FRUTTETO 3 S 90 4WD -> ZKDP4902W0TS01001] 1046 <- [FRUTTETO 3 S 90 4WD -> ZKDP4902W0TS01001] -> 1045 - 1080 <- [FRUTTETO 3 S 90 2WD -> ZKDP4901W0TS01001] -> 10018 - 10042 <- [FRUTTETO 3 S 90 4WD -> ZKDP4902W0TS01001] -> 10018 - 10042 <-

1	2.4119.187.0	1	belt PV-K5 (mm 1230)
---	--------------	---	----------------------



9\_O6817\_09\_0-A-001

**FRUTTETO<sup>3</sup> S 90 -> 1001/10001 /ACTIVE DRIVE**

Section: B0 - ENGINE

Ref: B0.02.3 (1)

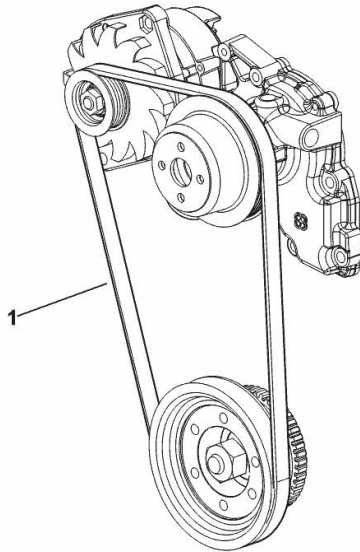
**COOLANT PUMP AND ALTERNATOR DRIVEBELT**

Fig.	P/n	QTY	Name
------	-----	-----	------

**Notes:**

[FRUTTETO 3 S 90 2WD -> ZKDP4901W0TS01001] -> 1087 - 1115 <- [FRUTTETO 3 S 90 4WD -> ZKDP4902W0TS01001] -> 1087 - 1115 <-

1	2.4119.195.0	1	belt PV-K5 ( mm 17.4x1250 )
---	--------------	---	-----------------------------



9\_N2517\_09\_0-A-001

**<https://www.ebooklibonline.com>**

Hello dear friend!

Thank you very much for reading.

Enter the link into your browser.

The full manual is available for immediate download.

**<https://www.ebooklibonline.com>**