

ENGINE TYPE-APPROVAL DATA PLATE

| Fig. | P/n | QTY | Name |
|------|-----|-----|------|
|------|-----|-----|------|

Notes:

[Frutteto³ 90 CLASSIC]

| | | | |
|---|--------------|--|---|
| 1 | 0.000.0000.1 | | cannot be supplied MADE BY TREVIGLIO ITALY |
| 2 | 0.000.0000.1 | | cannot be supplied MADE AT RANIPET - INDIA |



9_STA000_00_0-A-001

CRANKCASE

| Fig. | P/n | QTY | Name |
|------|-----|-----|------|
|------|-----|-----|------|

Notes:FOR ENGINES PRODUCED IN : TREVIGLIO ITALY [Frutteto³ 90 CLASSIC]

9_O1011_00_0-A-001

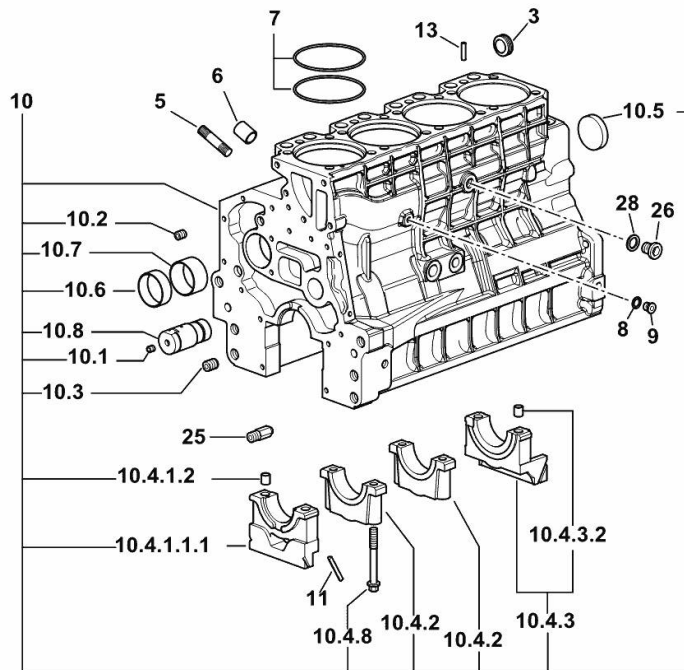
| | | | |
|------------|-----------------|----|------------------------------|
| 3 | 2.3199.312.2/20 | 1 | plug m 35x1.5x9.5 |
| 5 | 2.0439.279.7 | 8 | stud bolt m 8 p.1 x 25 |
| 6 | 2.1559.188.2 | 4 | bush 11.4 x 14 x16 |
| 7 | 2.1539.259.0 | 8 | special oil seal 107.62x2.62 |
| 8 | 2.1560.010.0 | 1 | gasket 14.2 x 20 |
| 9 | 2.3199.292.0 | 1 | plug 1/4" gas |
| 10 | 0.014.9655.4/30 | 1 | crankcase |
| 10.1 | 2.3130.001.1 | 14 | plug 1/8" gas |
| 10.2 | 2.3130.002.1 | 4 | plug 1/4" gas |
| 10.3 | 2.3130.003.1 | 6 | plug 3/8" gas |
| 10.4.1.1.1 | 0.065.1112.7/10 | 1 | support |
| 10.4.1.2 | 2.1699.165.0 | 1 | bush 12.3x15x16 |
| 10.4.2 | 0.065.1114.0/10 | 3 | support |
| 10.4.3 | 0.065.1116.3 | 1 | support |
| 10.4.3.2 | 2.1699.165.0 | 1 | bush 12.3x15x16 |
| 10.4.8 | 0.065.1117.0 | 10 | screw m 12 x 100 |
| 10.5 | 2.3179.012.0 | 1 | plug 60 |
| 10.6 | 0.065.1140.0 | 4 | special bushing 59X55X20 |
| 10.7 | 0.065.1141.0 | 1 | special bushing 59X55X30 |
| 10.8 | 0.014.1340.0/10 | 1 | pin mm 85 |
| 11 | 0.066.1152.0/10 | 4 | gasket |
| 13 | 2.1549.154.2 | 4 | bush 4.8x5.8x16 |
| 25 | 0.013.4946.0/10 | 1 | sprayer nozzle |
| 26 | 2.3120.101.0 | 1 | plug m 18 p.1.5 |
| 28 | 2.1560.014.0 | 1 | washer 18.2 x 24 |

CRANKCASE

| Fig. | P/n | QTY | Name |
|------|-----|-----|------|
|------|-----|-----|------|

Notes:

FOR ENGINES PRODUCED IN : RANIPET - INDIA [Frutteto³ 90 CLASSIC]



19_O1011_00_0-A-001

| | | | |
|------------|-----------------|----|------------------------------|
| 3 | 2.3199.312.2/20 | 1 | plug m 35x1.5x9.5 |
| 5 | 2.0439.279.7 | 8 | stud bolt m 8 p.1 x 25 |
| 6 | 2.1559.188.2 | 4 | bush 11.4 x 14 x16 |
| 7 | 2.1539.259.0 | 8 | special oil seal 107.62x2.62 |
| 8 | 2.1560.010.0 | 1 | gasket 14.2 x 20 |
| 9 | 2.3199.292.0 | 1 | plug 1/4" gas |
| 10 | 0.014.9655.4/30 | 1 | crankcase |
| 10.1 | 2.3130.001.1 | 14 | plug 1/8" gas |
| 10.2 | 2.3130.002.1 | 4 | plug 1/4" gas |
| 10.3 | 2.3130.003.1 | 6 | plug 3/8" gas |
| 10.4.1.1.1 | 0.065.1112.7/10 | 1 | support |
| 10.4.1.2 | 2.1699.165.0 | 1 | bush 12.3x15x16 |
| 10.4.2 | 0.065.1114.0/10 | 3 | support |
| 10.4.3 | 0.065.1116.3 | 1 | support |
| 10.4.3.2 | 2.1699.165.0 | 1 | bush 12.3x15x16 |
| 10.4.8 | 0.065.1117.0 | 10 | screw m 12 x 100 |
| 10.5 | 2.3179.012.0 | 1 | plug 60 |
| 10.6 | 0.065.1140.0 | 4 | special bushing 59X55X20 |
| 10.7 | 0.065.1141.0 | 1 | special bushing 59X55X30 |
| 10.8 | 0.014.1340.0/10 | 1 | pin mm 85 |
| 11 | 0.066.1152.0/10 | 4 | gasket |
| 13 | 2.1549.154.2 | 4 | bush 4.8x5.8x16 |
| 25 | 0.013.4946.0/10 | 1 | sprayer nozzle |
| 26 | 2.3120.101.0 | 1 | plug m 18 p.1.5 |
| 28 | 2.1560.014.0 | 1 | washer 18.2 x 24 |

<https://www.ebooklibonline.com>

Hello dear friend!

Thank you very much for reading.

Enter the link into your browser.

The full manual is available for immediate download.

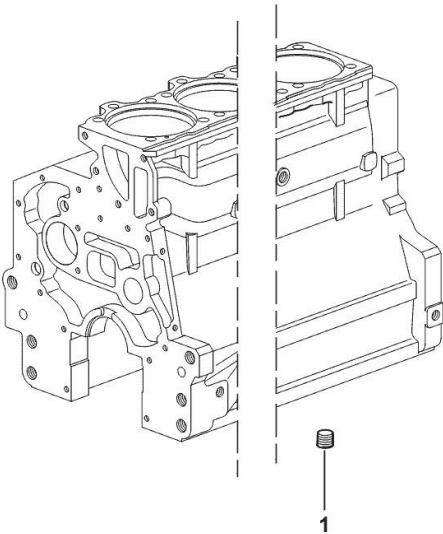
<https://www.ebooklibonline.com>

LOWER PLUG FOR CYLINDER BLOCKS

| Fig. | P/n | QTY | Name |
|------|-----|-----|------|
|------|-----|-----|------|

Notes:
FOR ENGINES PRODUCED IN : TREVIGLIO ITALY [Frutteto³ 90 CLASSIC]

| | | | |
|---|--------------|---|---------------|
| 1 | 2.3130.003.1 | 2 | plug 3/8" gas |
|---|--------------|---|---------------|



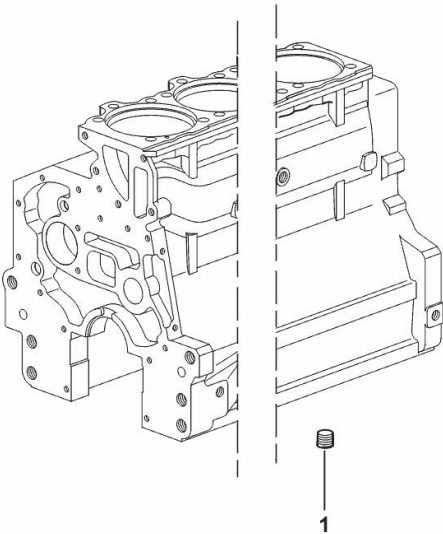
9_33311_06_0-A-001

LOWER PLUG FOR CYLINDER BLOCKS

| Fig. | P/n | QTY | Name |
|------|-----|-----|------|
|------|-----|-----|------|

Notes:
FOR ENGINES PRODUCED IN : RANIPET - INDIA [Frutteto³ 90 CLASSIC]

| | | | |
|---|--------------|---|---------------|
| 1 | 2.3130.003.1 | 2 | plug 3/8" gas |
|---|--------------|---|---------------|



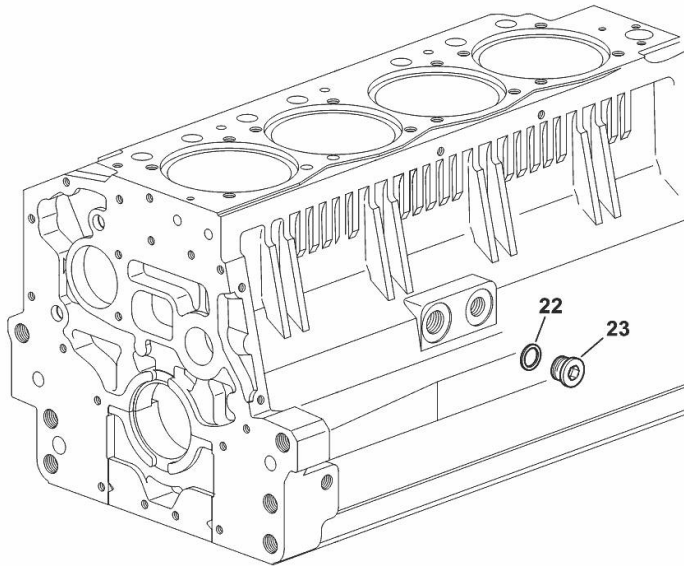
19_37511_06_0-A-001

SIDE PLUG FOR CYLINDER BLOCK

| Fig. | P/n | QTY | Name |
|------|-----|-----|------|
|------|-----|-----|------|

Notes:FOR ENGINES PRODUCED IN : TREVIGLIO ITALY [Frutteto³ 90 CLASSIC]

| | | | |
|----|--------------|---|------------------|
| 22 | 2.1560.017.0 | 1 | gasket 22.2 x 27 |
| 23 | 2.3120.002.4 | 1 | plug m 22 x 1.5 |



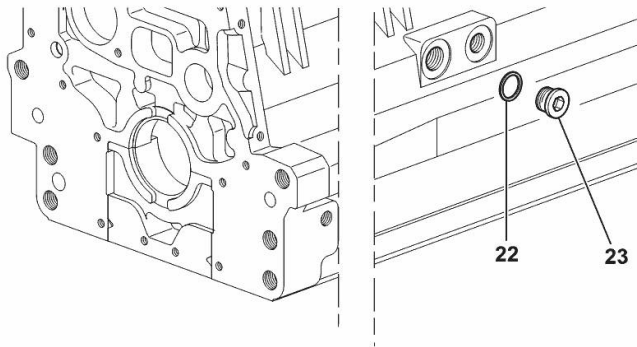
9_33211_07_0-A-001

SIDE PLUG FOR CYLINDER BLOCK

| Fig. | P/n | QTY | Name |
|------|-----|-----|------|
|------|-----|-----|------|

Notes:FOR ENGINES PRODUCED IN : RANIPET - INDIA [Frutteto³ 90 CLASSIC]

| | | | |
|----|--------------|---|------------------|
| 22 | 2.1560.017.0 | 1 | gasket 22.2 x 27 |
| 23 | 2.3120.002.4 | 1 | plug m 22 x 1.5 |



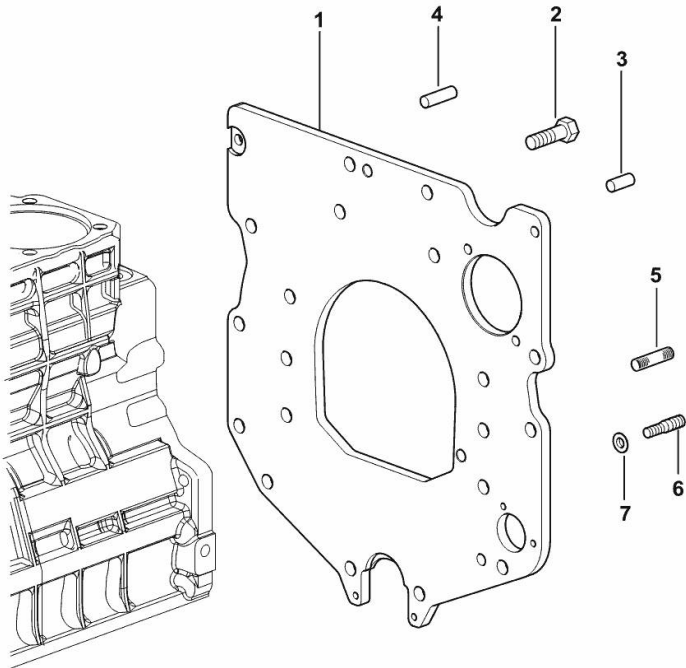
I9_33211_07_0-A-001

MONOBLOC ENGINE-GEARBOX CONNECTING FLANGE

| Fig. | P/n | QTY | Name |
|------|-----|-----|------|
|------|-----|-----|------|

Notes:FOR ENGINES PRODUCED IN : TREVIGLIO ITALY [Frutteto³ 90 CLASSIC]

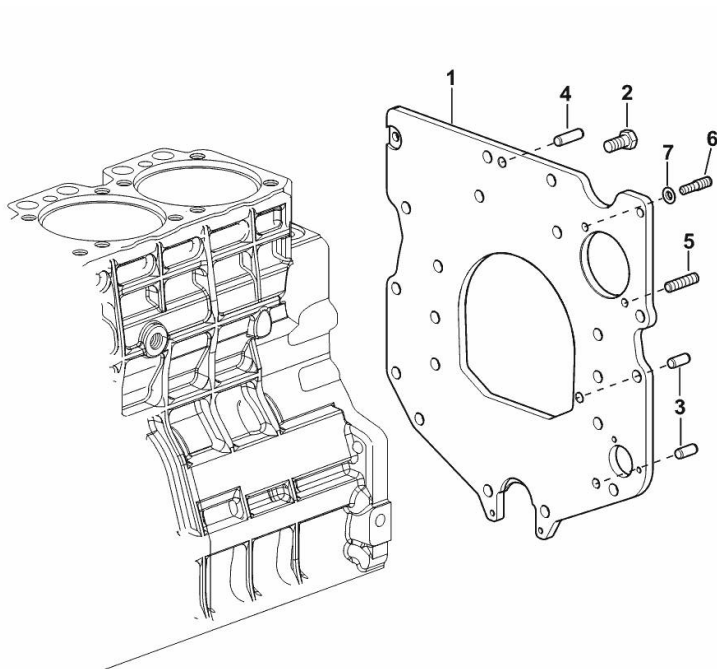
| | | | |
|---|-----------------|---|-----------------------------------|
| 1 | 0.007.7752.0/30 | 1 | flange |
| 2 | 2.0112.511.2 | 8 | screw m 14 p.2 x 30 |
| 3 | 2.1651.912.0 | 2 | cylindrical plug 12x28 |
| 4 | 2.1651.917.0 | 1 | cylindrical plug 12x40 |
| 5 | 2.0432.257.7 | 1 | stud bolt m 12 p.1.75 - 1.25 x 30 |
| 6 | 2.0439.250.7 | 1 | stud bolt m 12 / m 10 x 30 |
| 7 | 0.011.9294.0/10 | 1 | bush |



9_37311_01_0-A-001

MONOBLOC ENGINE-GEARBOX CONNECTING FLANGE

| Fig. | P/n | QTY | Name |
|------|-----|-----|------|
|------|-----|-----|------|

Notes:FOR ENGINES PRODUCED IN : RANIPET - INDIA [Frutteto³ 90 CLASSIC]

| | | | |
|---|-----------------|---|-----------------------------------|
| 1 | 0.007.7752.0/30 | 1 | flange |
| 2 | 2.0112.511.2 | 8 | screw m 14 p.2 x 30 |
| 3 | 2.1651.912.0 | 2 | cylindrical plug 12x28 |
| 4 | 2.1651.917.0 | 1 | cylindrical plug 12x40 |
| 5 | 2.0432.257.7 | 1 | stud bolt m 12 p.1.75 - 1.25 x 30 |
| 6 | 2.0439.250.7 | 1 | stud bolt m 12 / m 10 x 30 |
| 7 | 0.011.9294.0/10 | 1 | bush |

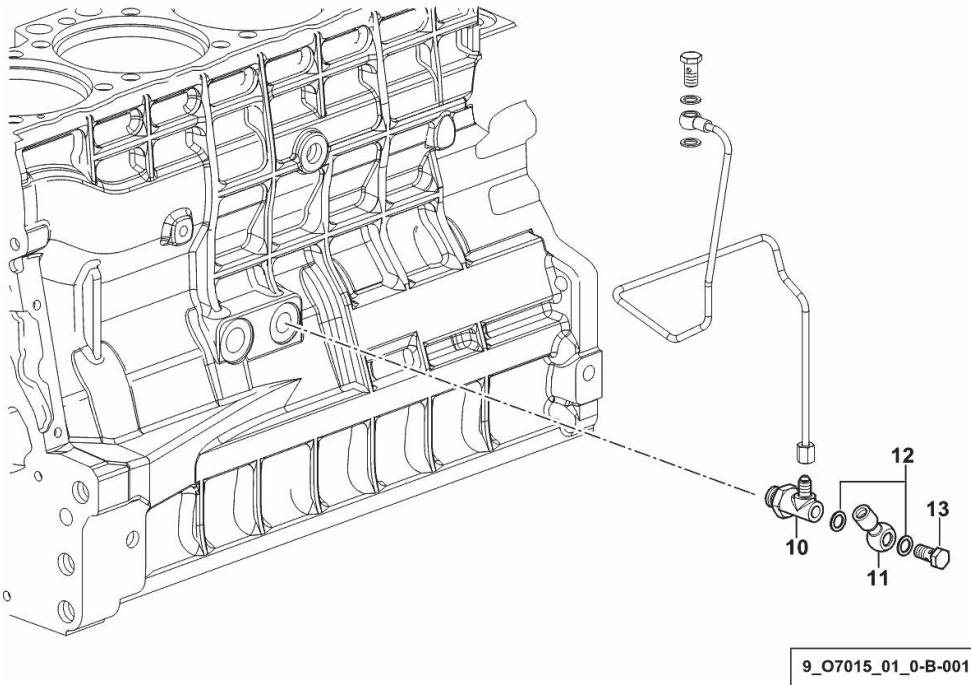
19_N8911_01_0-A-001

ENGINE OIL AND TURBO PRESSURE SWITCH UNION

| Fig. | P/n | QTY | Name |
|------|-----|-----|------|
|------|-----|-----|------|

Notes:FOR ENGINES PRODUCED IN : TREVIGLIO ITALY [Frutteto³ 90 CLASSIC]

| | | | |
|----|--------------|---|-------------------------|
| 10 | 2.3339.574.2 | 1 | pipe fitting |
| 11 | 2.3249.014.2 | 1 | pipe fitting m 12 p.1.5 |
| 12 | 2.1560.008.0 | 4 | gasket 12.2 x 18 |
| 13 | 2.3330.003.1 | 1 | pipe union m 12 p.1.5 |

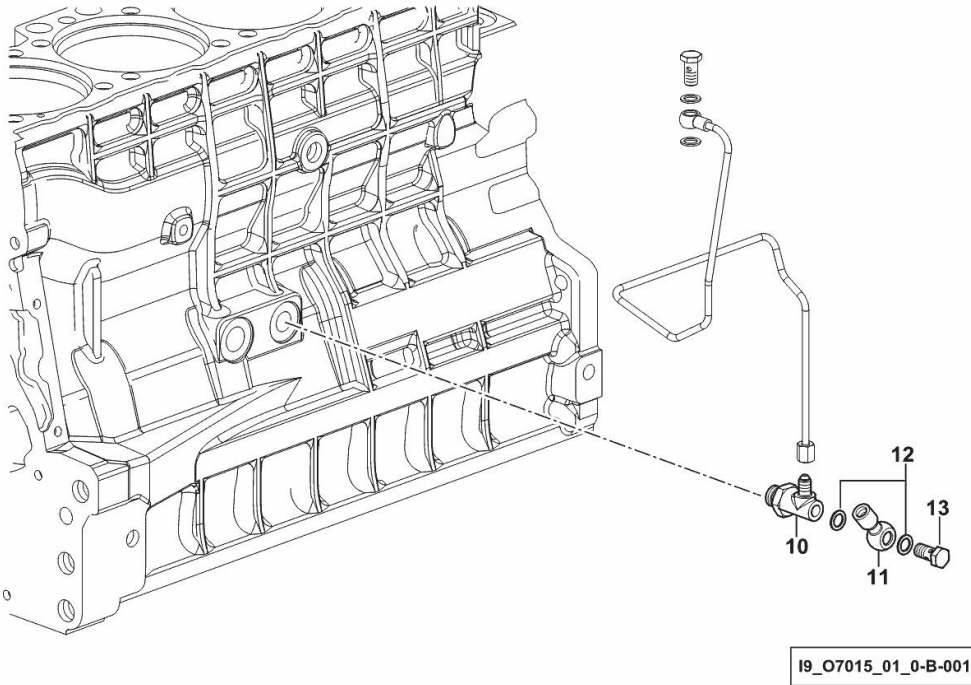


ENGINE OIL AND TURBO PRESSURE SWITCH UNION

| Fig. | P/n | QTY | Name |
|------|-----|-----|------|
|------|-----|-----|------|

Notes:FOR ENGINES PRODUCED IN : RANIPET - INDIA [Frutteto³ 90 CLASSIC] 5524 <-

| | | | |
|----|--------------|---|-------------------------|
| 10 | 2.3339.574.2 | 1 | pipe fitting |
| 11 | 2.3249.014.2 | 1 | pipe fitting m 12 p.1.5 |
| 12 | 2.1560.008.0 | 4 | gasket 12.2 x 18 |
| 13 | 2.3330.003.1 | 1 | pipe union m 12 p.1.5 |



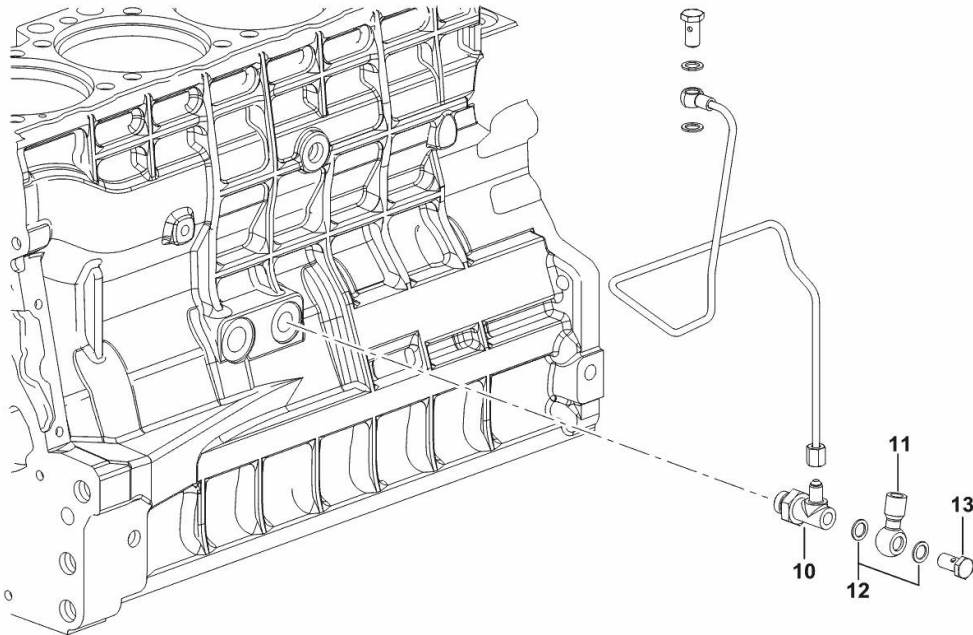
ENGINE OIL AND TURBO PRESSURE SWITCH UNION

| Fig. | P/n | QTY | Name |
|------|-----|-----|------|
|------|-----|-----|------|

Notes:

FOR ENGINES PRODUCED IN : RANIPET - INDIA [Frutteto³ 90 CLASSIC] -> 5523 FOR ENGINES PRODUCED IN : RANIPET - INDIA [Frutteto³ 90 CLASSIC]

| | | | |
|----|--------------|---|----------------------------|
| 10 | 2.3339.574.2 | 1 | pipe fitting |
| 11 | 2.3249.014.2 | 1 | pipe fitting m 12 p.1.5 |
| 12 | 2.1560.008.0 | 4 | gasket 12.2 x 18 |
| 13 | 2.3335.005.2 | 1 | pipe union m 12 p.1.5 x 24 |



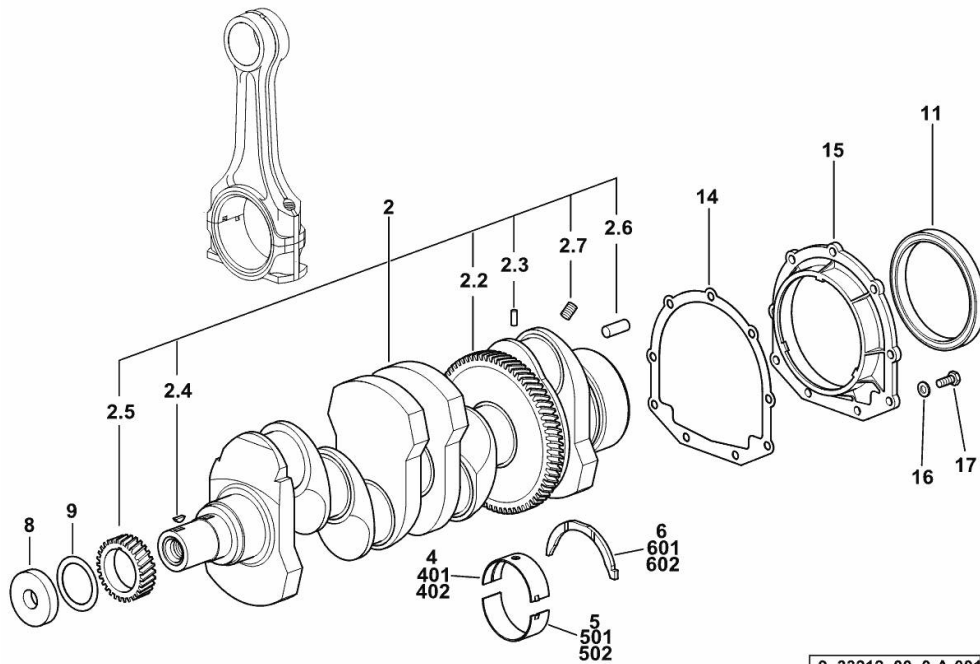
19_K1415_01_0-B-001

CRANKSHAFT

| Fig. | P/n | QTY | Name |
|------|-----|-----|------|
|------|-----|-----|------|

Notes:

FOR ENGINES PRODUCED IN : TREVIGLIO ITALY [Frutteto³ 90 CLASSIC] 5596 <-



9_33212_00_0-A-001

| | | | |
|-----|-----------------|---|-----------------------------|
| 2 | 0.086.1210.3/40 | 1 | crankshaft |
| 2.2 | 0.065.1211.0/10 | 1 | crown wheel |
| 2.3 | 2.1630.608.0 | 1 | pin 6x16 |
| 2.4 | 2.1720.006.0 | 1 | key 4x6.5 |
| 2.5 | 0.065.1323.0/30 | 1 | gear Z = 29 |
| 2.6 | 2.1651.915.0 | 1 | pin 12x35 |
| 2.7 | 2.3130.001.1 | 4 | plug 1/8" gas |
| 4 | 0.065.1215.0/10 | 5 | main half bushing STANDARD |
| 5 | 0.065.1216.0/10 | 5 | main half bushing STANDARD |
| 6 | 0.065.1218.0 | 4 | shim STANDARD |
| 8 | 2.1599.524.7 | 1 | washer 21x60x12 |
| 9 | 2.1589.189.0 | 2 | shoulder ring mm 1.00 |
| 11 | 2.1529.073.0 | 1 | special oil seal 110x130x13 |
| 14 | 0.065.1254.0/20 | 1 | gasket |
| 15 | 0.007.1711.0/10 | 1 | cover |
| 16 | 2.1475.002.2 | 9 | conical washer 8 |
| 17 | 2.0112.207.2 | 9 | screw m 8 p 1.25 x 20 |
| 401 | 0.065.1215.7 | | main half bushing - mm 0.25 |
| 402 | 0.065.1215.8 | | main half bushing - mm 0.50 |
| 501 | 0.065.1216.7 | | main half bushing - mm 0.25 |
| 502 | 0.065.1216.8 | | main half bushing - mm 0.50 |
| 601 | 0.065.1218.7 | | shim + mm 0.10 |
| 602 | 0.065.1218.8 | | shim + mm 0.15 |



Suggest:

For more complete manuals. Please go to the home page.

<https://www.ebooklibonline.com>

If the above button click is invalid. Please download this document first, and then click the above link to download the complete manual.

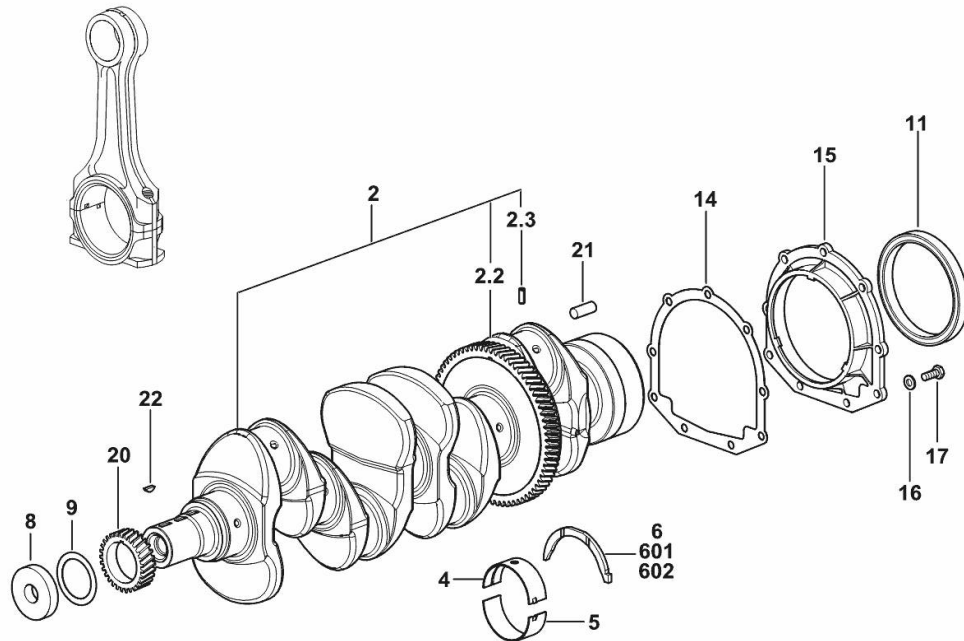
Thank you so much for reading

CRANKSHAFT

| Fig. | P/n | QTY | Name |
|------|-----|-----|------|
|------|-----|-----|------|

Notes:

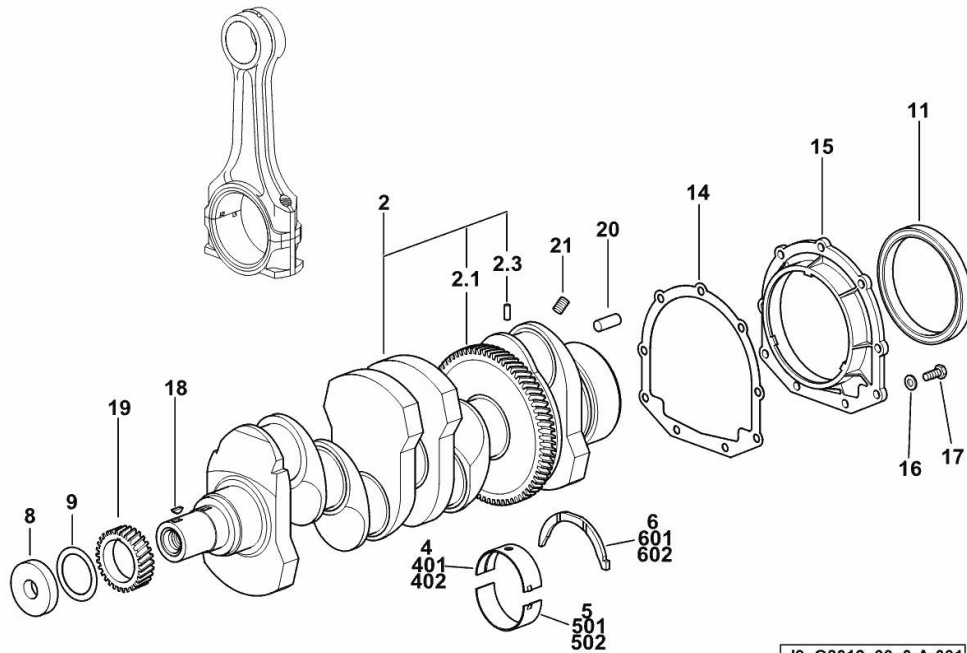
FOR ENGINES PRODUCED IN : TREVIGLIO ITALY [Frutteto³ 90 CLASSIC] -> 5598



| | | | |
|-----|-----------------|---|-----------------------------|
| 2 | 0.021.8246.3 | 1 | crankshaft |
| 2.2 | 0.065.1211.0/10 | 1 | crown wheel |
| 2.3 | 2.1630.608.0 | 1 | pin 6x16 |
| 4 | 0.019.5455.0 | 5 | main half bushing STANDARD |
| 5 | 0.019.5456.0 | 5 | main half bushing STANDARD |
| 6 | 0.065.1218.0 | 4 | shim STANDARD |
| 8 | 2.1599.524.7 | 1 | washer 21x60x12 |
| 9 | 2.1589.189.0 | 2 | shoulder ring mm 1.00 |
| 11 | 2.1529.073.0 | 1 | special oil seal 110x130x13 |
| 14 | 0.065.1254.0/20 | 1 | gasket |
| 15 | 0.007.1711.0/10 | 1 | cover |
| 16 | 2.1475.002.2 | 9 | conical washer 8 |
| 17 | 2.0112.207.2 | 9 | screw m 8 p 1.25 x 20 |
| 20 | 0.065.1323.0/30 | 1 | gear Z = 29 |
| 21 | 2.1651.915.0 | 1 | pin 12x35 |
| 22 | 2.1720.006.0 | 1 | key 4x6.5 |
| 601 | 0.065.1218.7 | | shim + mm 0.10 |
| 602 | 0.065.1218.8 | | shim + mm 0.15 |

9_33212_00_0-A-002

CRANKSHAFT



19_Q8012_00_0-A-001

| Fig. | P/n | QTY | Name |
|--|-----------------|-----|-----------------------------|
| Notes: | | | |
| FOR ENGINES PRODUCED IN : RANIPET - INDIA [Frutteto ³ 90 CLASSIC] 5616 <- | | | |
| 2 | 0.015.5817.3/20 | 1 | crankshaft |
| 2.1 | 0.065.1211.0/10 | 1 | crown wheel |
| 2.3 | 2.1630.608.0 | 1 | pin 6x16 |
| 4 | 0.065.1215.0/10 | 5 | main half bushing STANDARD |
| 5 | 0.065.1216.0/10 | 5 | main half bushing STANDARD |
| 6 | 0.065.1218.0 | 4 | shim STANDARD |
| 8 | 2.1599.524.7 | 1 | washer 21x60x12 |
| 9 | 2.1589.189.0 | 2 | shoulder ring mm 1.00 |
| 11 | 2.1529.073.0 | 1 | special oil seal 110x130x13 |
| 14 | 0.065.1254.0/20 | 1 | gasket |
| 15 | 0.007.1711.0/10 | 1 | cover |
| 16 | 2.1475.002.2 | 9 | conical washer 8 |
| 17 | 2.0112.207.2 | 9 | screw m 8 p 1.25 x 20 |
| 18 | 2.1720.006.0 | 1 | key 4x6.5 |
| 19 | 0.065.1323.0/30 | 1 | gear Z = 29 |
| 20 | 2.1651.915.0 | 1 | pin 12x35 |
| 21 | 2.3130.001.1 | 4 | plug 1/8" gas |
| 401 | 0.065.1215.7 | | main half bushing - mm 0.25 |
| 402 | 0.065.1215.8 | | main half bushing - mm 0.50 |
| 501 | 0.065.1216.7 | | main half bushing - mm 0.25 |
| 502 | 0.065.1216.8 | | main half bushing - mm 0.50 |
| 601 | 0.065.1218.7 | | shim + mm 0.10 |
| 602 | 0.065.1218.8 | | shim + mm 0.15 |

<https://www.ebooklibonline.com>

Hello dear friend!

Thank you very much for reading.

Enter the link into your browser.

The full manual is available for immediate download.

<https://www.ebooklibonline.com>