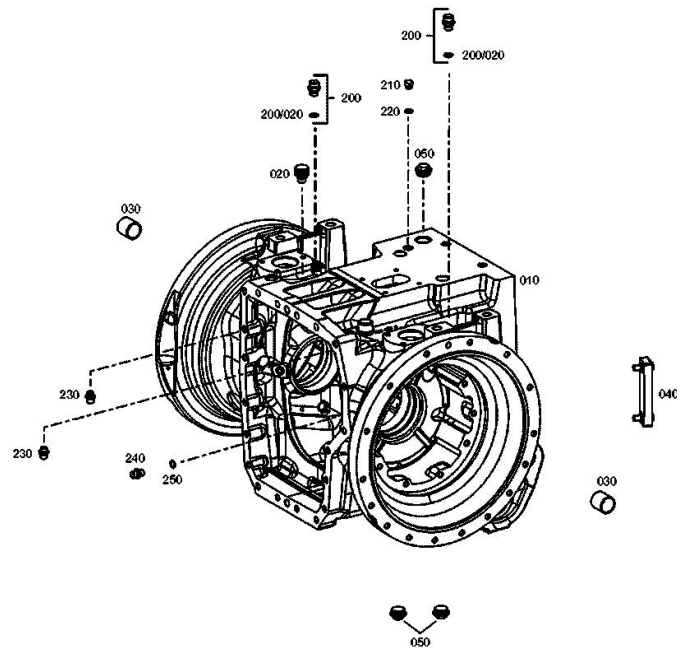


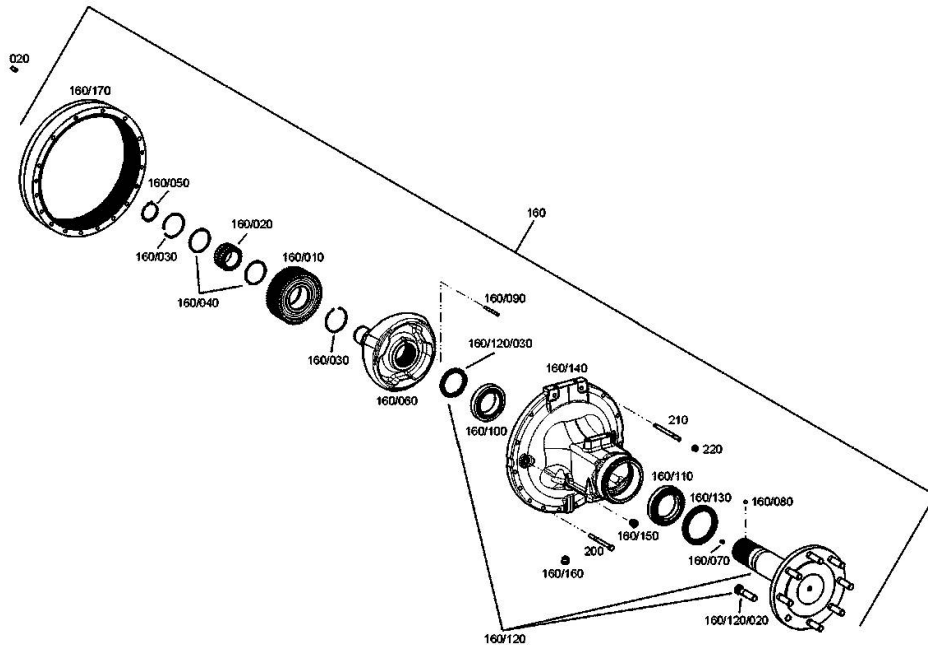
REAR GEARBOX CASE - 2093 011 016

Fig.	P/n	QTY	Name
10	0.900.2058.4	1	gear box
20	04417453	1	plug
30	04417451	2	bushing
40	0.900.2046.0	1	level indicator
50	0.010.3849.1	3	plug
200	0.900.2219.3	2	pipe union
200.20	0.900.1239.4	1	oil seal 15.3x2.4
210	0.900.2018.0	1	plug m 14 p.1.5
220	04423731	1	oil seal 14 x 18
230	04417705	2	vent
240	0.900.2209.1	1	pipe union
250	04423731	1	oil seal 14 x 18



REAR AXLE - 2093 011 016

Fig.	P/n	QTY	Name
20	0.900.0278.2	2	pin 12 x 24
160	0.900.2124.4	2	tube
160.10	0.900.1569.0	3	planet gear
160.20	0.900.1236.2	3	bearing
160.30	0.900.1236.3	6	circlip
160.40	0.900.1236.4	6	ring
160.50	0.900.1236.5	3	circlip
160.60	0.900.1236.6	1	spider
160.70	0.010.3588.2	1	grub screw m 10x16
160.80	04309268	1	ball
160.90	0.900.0278.3	1	roll pin 8x90
160.100	0.900.1236.7	1	bearing
160.110	0.900.2210.1	1	bearing
160.120	0.900.2210.0	1	shaft
160.120.20	0.900.2260.8	8	support
160.120.30	0.900.1237.3	1	ring nut
160.130	0.010.3642.2	1	ring
160.140	0.900.2059.1	1	tube
160.150	0.900.0001.8	2	plug
160.160	0.010.3849.0	1	plug
160.170	0.900.1237.5	1	crown wheel
200	0.900.2017.7	28	screw
210	0.900.2219.7	4	stud bolt m12x150
220	0.900.2017.8	4	nut



DIFFERENTIAL - 2093 011 016

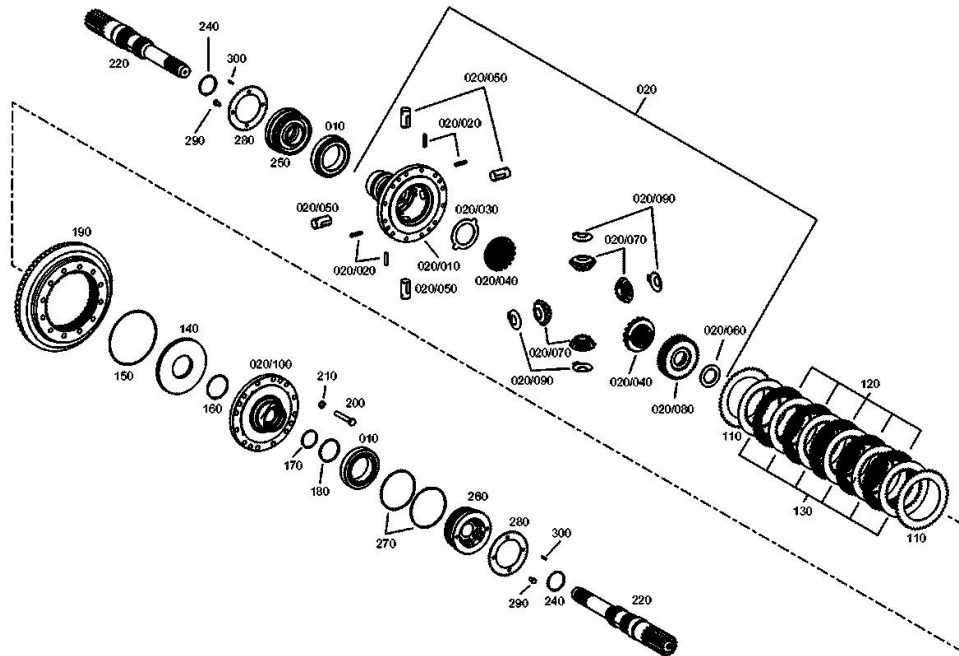


Fig.	P/n	QTY	Name
10	0.010.3580.1	2	roller bearing
20	0.900.2058.5	1	differential carrier
20.10	0.900.2058.6	1	differential carrier
20.20	0.010.3349.0	4	roll pin 8 x 40
20.30	0.900.1586.4	1	slewing ring
20.40	0.900.1584.4	2	crown wheel Z = 18
20.50	0.900.1588.4	4	axle
20.60	0.900.0124.0	1	slewing ring
20.70	0.900.1584.3	4	planet gear z=12
20.80	0.900.2049.2	1	sleeve Z = 31 Z = 41
20.90	0.900.1586.5	4	slewing ring S = 1.50
20.100	0.900.1234.9	1	cover
20.110	0.900.2207.5	4	roll pin
110	0.900.1377.4	2	disc Z = 46
120	0.900.1226.8	5	disc Z = 46
130	0.900.1377.2	6	disc Z = 41
140	0.900.0123.6	1	piston
150	0.900.0451.5	1	oil seal
160	0.900.0268.5	1	oil seal 69 x 3
170	0.900.0800.7	1	ring 55 x 2.5
180	0.900.0800.8	1	ring 70 x 3.0
190	0.900.1547.8	1	bevel ring gear z=56
200	0.010.3729.2	12	screw m 12 x 80
210	0.900.0277.9	12	washer
220	0.900.2058.7	2	shaft
240	0.010.2970.1	2	gasket
250	04428944	1	register
260	04428945	1	register
270	0.900.0278.7	2	ring
280	04417449	2	plate
290	0.900.2016.5	4	screw
300	04435703	2	pin 5 x 20

<https://www.ebooklibonline.com>

Hello dear friend!

Thank you very much for reading.

Enter the link into your browser.

The full manual is available for immediate download.

<https://www.ebooklibonline.com>

P.T.O. - POWER TAKE OFF - 2093 011 016

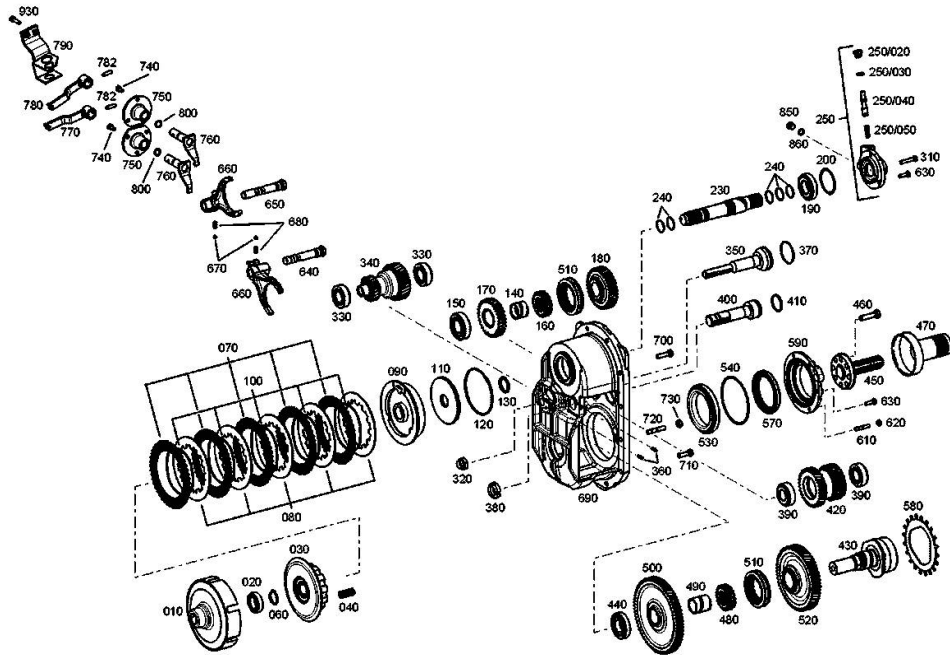


Fig.	P/n	QTY	Name
10	0.900.0124.5	1	clutch housing Z = 46
20	0.900.0469.0	1	ball bearing
30	0.900.2049.7	1	support Z = 16
40	0.900.0489.9	8	spring
60	0.900.0467.7	1	circlip 34x2.5
70	0.900.1377.3	5	disc Z = 46
80	0.900.1226.7	5	disc
90	0.900.2049.8	1	cylinder
100	0.900.1431.4	5	spring
110	0.900.0490.0	1	piston
120	0.900.0468.4	1	oil seal 120x3
130	0.900.0490.1	1	shim
140	04417639	1	special bushing
150	0.900.1385.1	1	bearing
160	04417641	1	support
170	0.900.2260.9	1	gear wheel
180	0.900.1432.4	1	gear wheel
190	0.900.1385.0	1	bearing
200	0.900.0294.8	1	washer
200	0.900.0294.9	1	washer s = 0.15
200	04417362	1	shim s = 0.40
230	0.900.2047.8	1	shaft Z = 16
240	0.900.0293.6	5	locking segment
250	0.900.2047.9	1	cover
250.20	0.900.2078.2	1	plug m16x1,5
250.30	04436331	1	oil seal 16 x 20
250.40	0.900.2049.9	1	piston
250.50	0.900.2045.9	1	spring
310	0.900.2246.8	1	screw m8x45
320	0.900.0124.8	1	ring nut
330	0.900.0293.9	2	roller bearing
340	0.900.2261.0	1	gear
350	04417652	1	pin
360	04433234	2	roll pin 6x20
370	0.900.0468.3	1	oil seal 57x2
380	04424372	1	ring nut
390	0.900.0293.9	2	roller bearing
400	04417656	1	pin
410	0.900.0468.6	1	oil seal 40x3
420	0.900.2261.1	1	gear wheel
430	0.900.0802.5	1	shaft Z = 18
440	0.900.1385.0	1	bearing
450	04417388	1	shaft
460	0.900.2017.2	8	screw

P.T.O. - POWER TAKE OFF - 2093 011 016

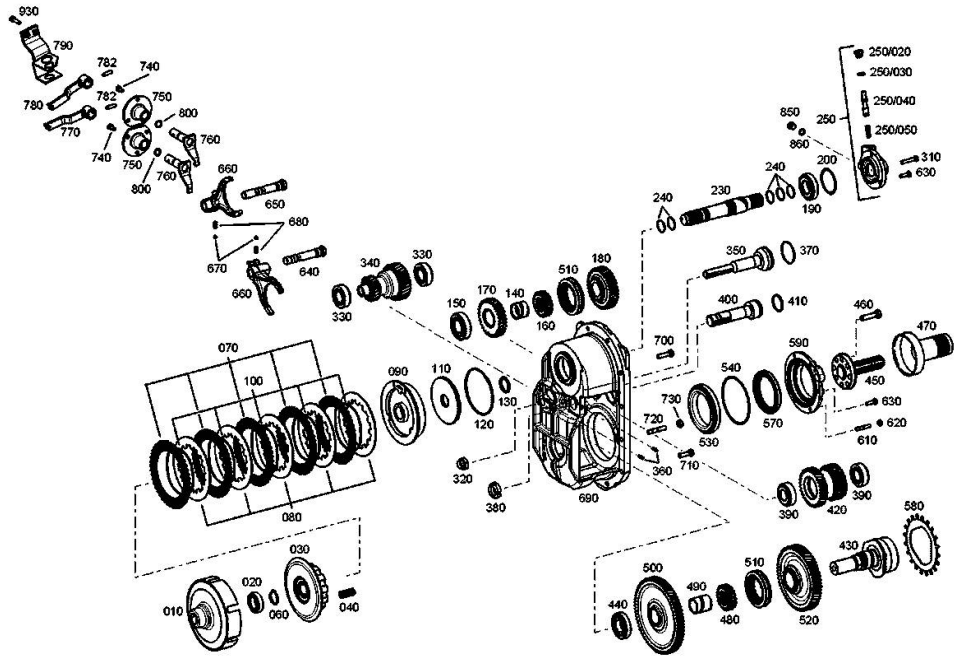
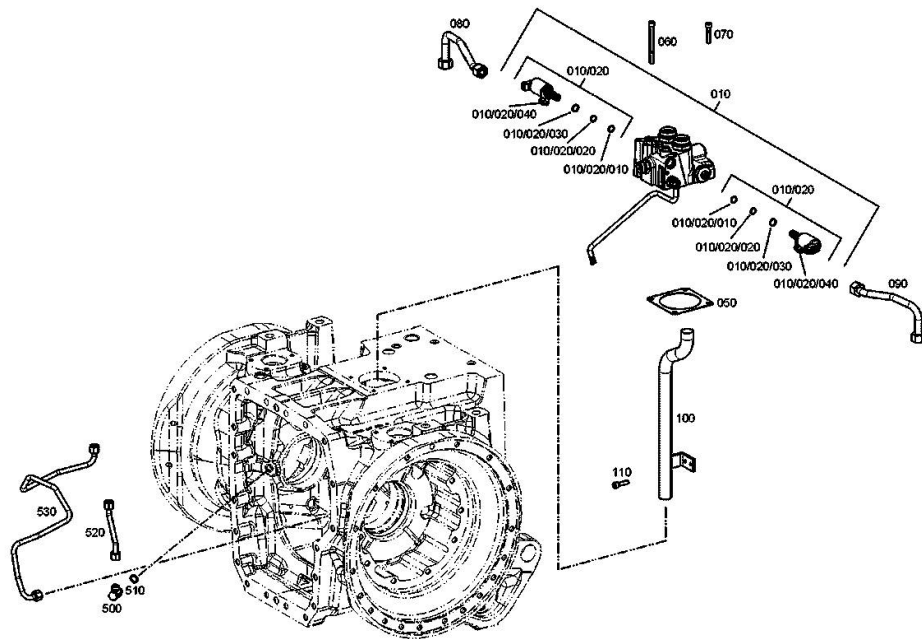


Fig.	P/n	QTY	Name
470	04417440	1	guard
480	04417641	1	support
490	04417681	1	special bushing
500	0.900.0884.4	1	gear z=66
510	04431727	2	sleeve
520	0.900.0877.3	1	gear z=56
530	0.900.0282.9	1	roller bearing
540	04417391	1	shim s = 0.10
540	04417392	1	shim s = 0.15
540	04417393	1	shim s = 0.40
570	0.900.2208.8	1	ring
580	0.900.1432.0	1	gear
590	04417438	1	cover
610	0.900.2016.4	4	grub screw
620	0.900.2017.3	4	nut
630	04434498	4	screw m 8 x 25
640	0.900.1432.6	1	rod
650	0.900.1432.7	1	rod
660	0.010.3848.1	2	fork
670	04415909	2	ball
680	04417378	2	spring
690	0.900.2049.6	1	box
700	0.900.2017.4	1	screw
710	0.900.2081.9	9	screw m10x35
720	0.900.2017.5	2	stud bolt
730	0.900.2017.6	2	nut
740	0.900.2016.5	6	screw
750	04417692	2	bearing
760	04417693	2	pin
770	0.900.0122.9	1	lever
780	04413418	1	lever
782	0.010.2894.1	2	pin 8 x 30
790	04439216	1	bracket
800	0.900.0278.8	2	oil seal
850	0.900.2018.2	1	plug
860	04423731	1	oil seal 14 x 18
930	04434546	2	screw m 8 x 30

OIL SUPPLY - 2093 011 016

Fig.	P/n	QTY	Name
10	0.900.0984.8	1	valve
10.20	0.900.0952.8	2	solenoid valve DV
10.20.10	0.900.1377.6	1	gasket 13 x 1.5
10.20.20	0.900.1377.5	1	gasket 12,4 x 1,78
10.20.30	0.900.1377.7	1	gasket 14x1.78
10.20.40	0.900.1377.8	1	screw m 8 x 16
50	0.900.0885.3	1	gasket
60	0.900.0882.4	2	screw m 8x95
70	0.900.0882.1	2	screw m 8 x 40
80	0.900.0954.0	1	gasket
90	0.900.0954.1	1	pipng
100	0.900.0883.3	1	tube
110	04434509	2	screw m 8 x 30
500	0.900.2261.2	1	pipe fitting
510	04423731	1	oil seal 14 x 18
520	0.010.2973.0	1	pipng
530	0.010.2899.2	1	tube



OIL SUPPLY - 2093 011 016

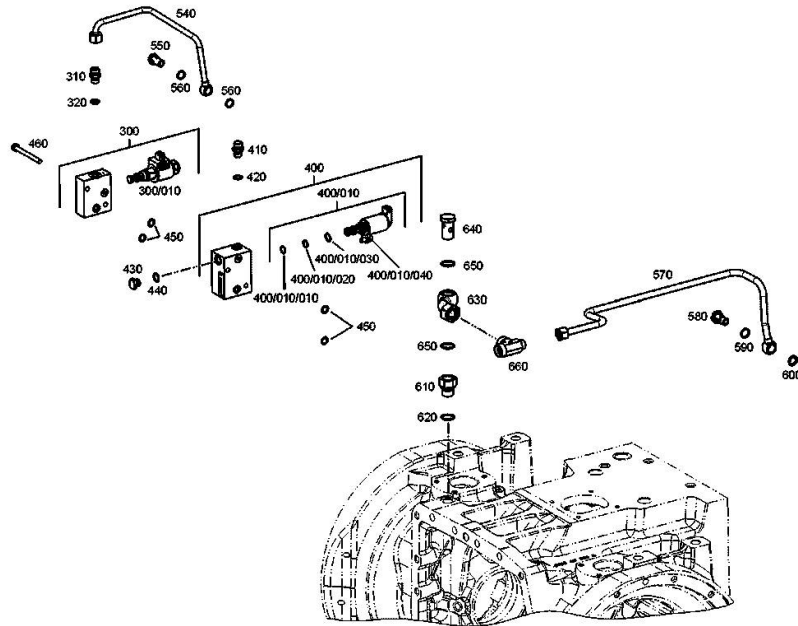
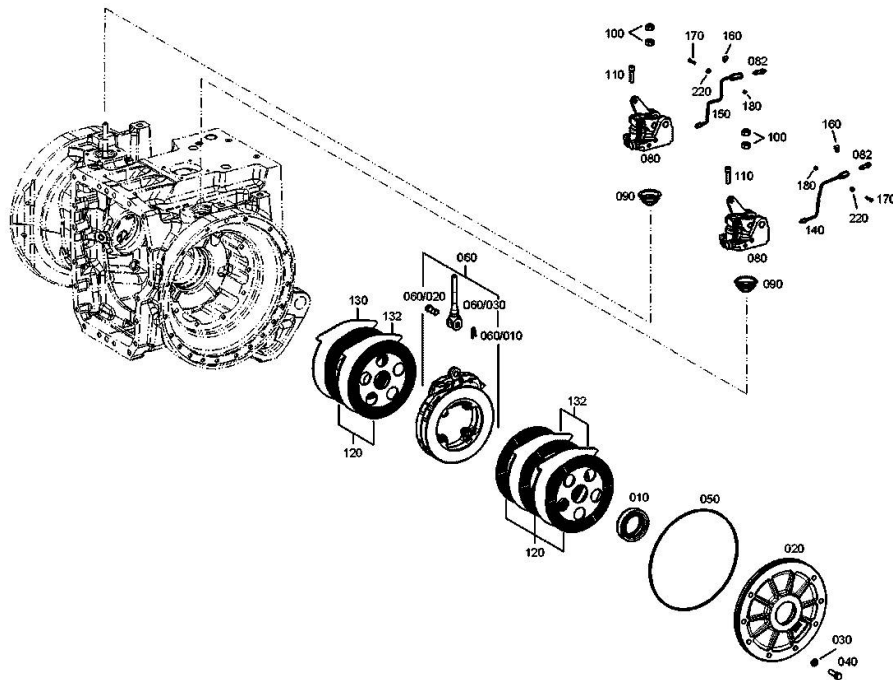


Fig.	P/n	QTY	Name
30.10	0.900.1384.6	1	solenoid valve
300	0.900.1363.3	1	small block
310	0.900.2209.1	1	pipe union
320	04423731	1	oil seal 14 x 18
400	0.900.0952.1	1	control
400.10	0.900.0952.8	1	solenoid valve DV
400.10.10	0.900.1377.6	1	gasket 13 x 1.5
400.10.20	0.900.1377.5	1	gasket 12,4 x 1,78
400.10.30	0.900.1377.7	1	gasket 14x1.78
400.10.40	0.900.1377.8	1	screw m 8 x 16
410	0.900.2209.1	1	pipe union
420	04423731	1	oil seal 14 x 18
430	0.900.2018.0	1	plug m 14 p.1.5
440	04423731	1	oil seal 14 x 18
450	0.900.0801.4	4	ring 11,3 x 2,4 NBR-70-10
460	0.900.1363.4	2	screw
540	0.900.1363.2	1	tube
550	0.900.2189.8	1	screw
560	04423731	2	oil seal 14 x 18
570	0.010.2894.2	1	pipng
580	04427560	1	pipe union
590	04436331	1	oil seal 16 x 20
600	0.010.2895.0	1	gasket 14x20
610	0.010.3826.2	1	pipe fitting
620	01118737	1	oil seal 22 x 27
630	0.010.3826.0	1	pipng
640	0.900.2260.5	1	screw
650	01118737	2	oil seal 22 x 27
660	0.900.2261.3	1	pipe fitting

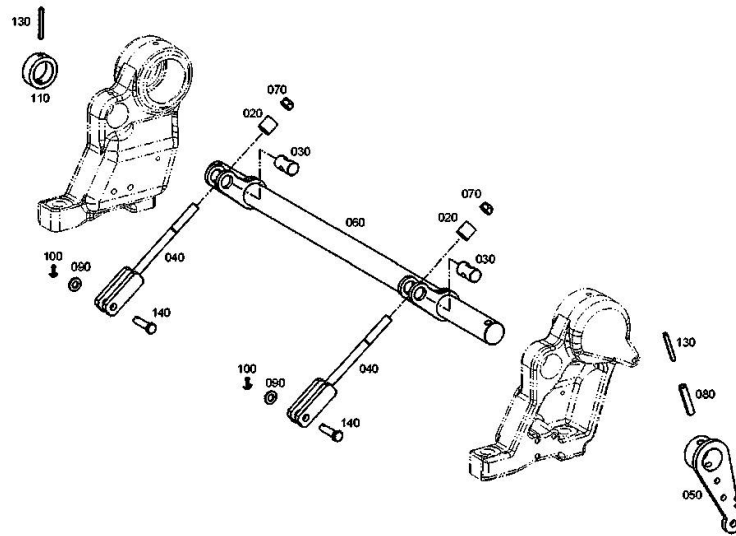
REAR BRAKES - 2093 011 016

Fig.	P/n	QTY	Name
10	04417316	2	oil seal
20	0.900.1239.5	2	cover
30	0.900.0277.9	4	washer
40	0.900.2018.4	16	screw
50	04428220	2	oil seal 305x4
60	0.900.1583.9	2	transmission brake
60.10	04435741	1	split pin
60.20	04435740	1	pin
60.30	04428551	1	rod
80	0.900.2018.5	2	operation
82	0.900.2124.5	2	breather
90	0.900.0800.9	2	rubber bushing
100	0.900.2019.0	4	nut
110	0.900.0469.7	6	screw m 10 x 40
120	0.900.1584.6	10	disc
130	0.900.0801.3	2	disc
132	0.900.0946.6	6	thin plate
140	04428545	1	tube sx/lh/li
150	04428546	1	pipng dx/rh/re
160	0.900.0468.2	2	clamp 6x12
170	0.900.2247.1	2	screw M5X25
180	0.900.2181.3	2	nut
220	0.900.2181.4	2	nut



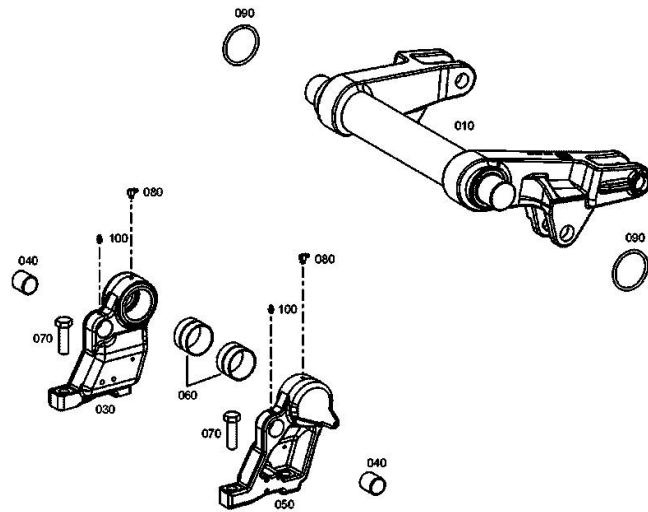
BRAKE CONTROLS - 2093 011 016

Fig.	P/n	QTY	Name
20	0.900.1239.8	2	tube
30	0.900.1239.9	2	pin
40	0.900.2018.6	2	rod
50	0.900.2124.6	1	lever
60	0.900.2018.8	1	shaft
70	0.900.2247.2	2	nut m12
80	0.900.2018.9	1	pin
90	0.900.0466.9	2	washer
100	0.900.2082.0	2	pin
110	0.900.1240.3	1	spacer
130	0.010.2901.1	2	pin 6x50
140	0.900.2015.9	2	ring



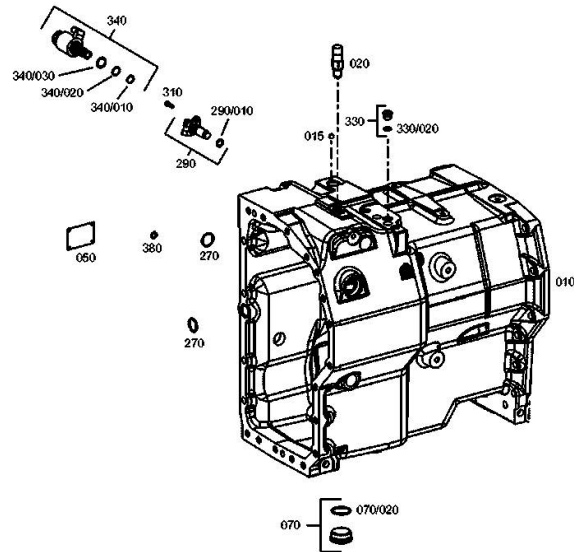
LIFTING - 2093 011 016

Fig.	P/n	QTY	Name
10	0.900.0883.4	1	shaft
30	0.900.1407.9	1	bearing block dx/rh/re
40	0.900.1431.3	2	bearing
50	0.900.1408.0	1	bearing block sx/lh/li
60	04417549	2	special bushing
70	0.900.0469.1	4	screw m 20x65
80	0.900.0498.6	2	grease gun
90	04417552	2	ring 78.5x6
100	0.900.2247.3	2	grease gun m8x1



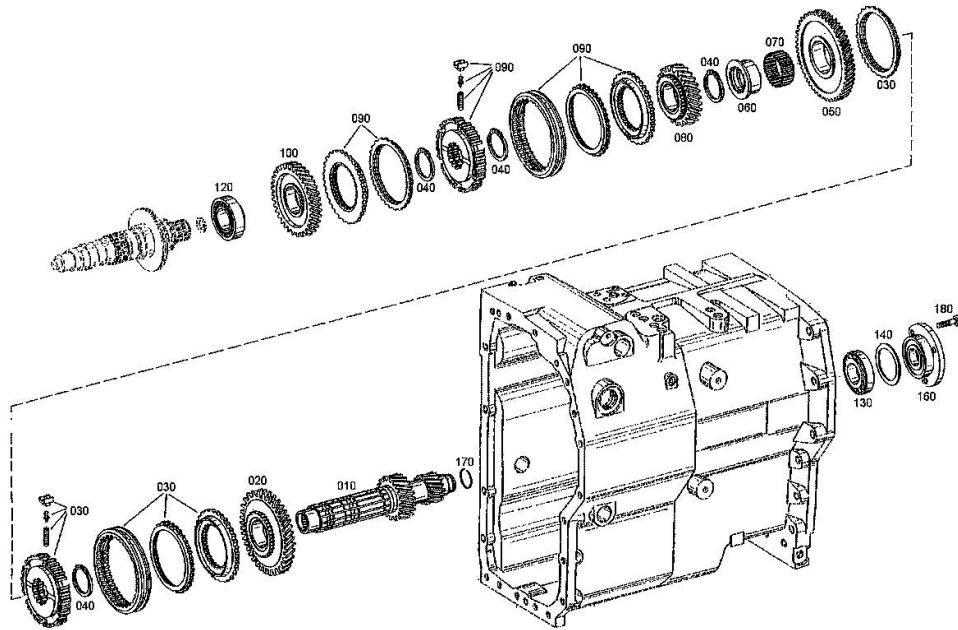
GEARBOX - 2093 011 021

Fig.	P/n	QTY	Name
10	0.900.2048.9	1	gear box
15	04309268	1	ball
20	04416066	1	switch
50	04415260	1	plate
70	0.900.2246.1	1	pipe union
70.20	0.900.2246.2	1	gasket 38x2.2
270	0.010.3257.2	2	gasket 28x2.5
290	04438450	1	speed sensor L = 53,0mm
290.10	04417747	1	oil seal 15.54x2.62
310	04434551	1	screw m 8 p.1.25 x 20
330	04435199	1	screw
330.20	02315162	1	oil seal 13x2
340	0.900.2094.5	1	solenoid valve
380	01160038	1	oil seal



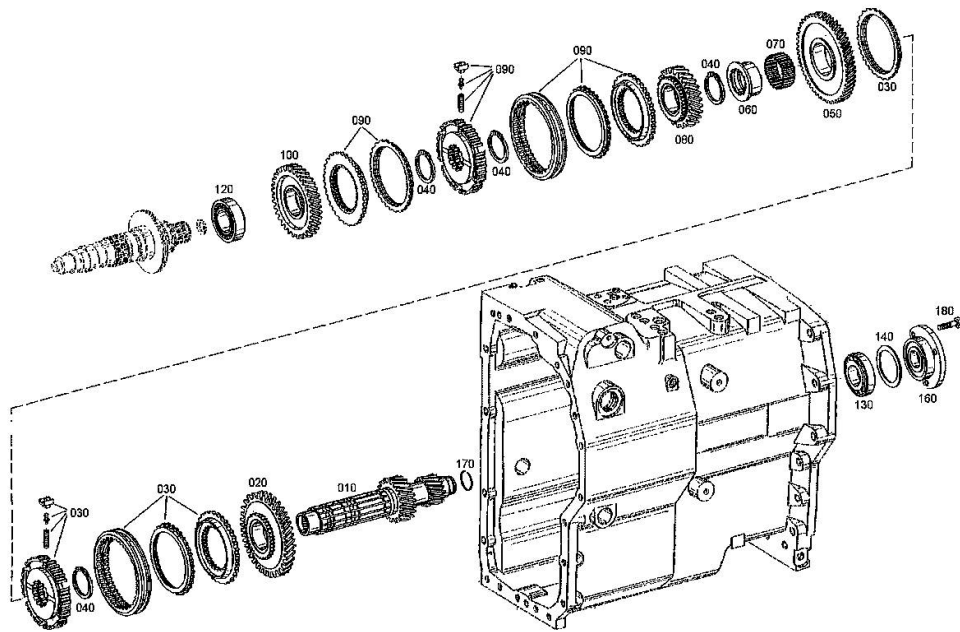
LAYSHAFT - 2093 011 021

Fig.	P/n	QTY	Name
10	0.900.0125.7	1	shaft
20	0.900.1380.7	1	gear Z = 47
30	0.900.0881.6	1	lock synchronizer
40	04415687	4	circlip
50	0.900.1380.8	1	gear Z = 58
60	04417177	1	bush L = 32.3
60	04417178	1	bush L = 32.4
60	04417179	1	bush L = 32.5
60	04417180	1	bush L = 32.6
60	04417181	1	bush L = 32.7
60	04417182	1	bush L = 32.8
70	0.010.2849.1	1	roller cage
80	0.900.1380.6	1	gear
90	0.900.0881.7	1	lock synchronizer
100	0.900.0071.0	1	gear
120	0.010.3759.0	1	roller bearing
130	04415697	1	roller bearing
140	02965988	1	shim mm 2.40
140	04334537	1	shim mm 2.60
140	04334538	1	shim mm 2.55
140	04334539	1	shim mm 2.50
140	04334540	1	shim mm 2.45
140	04334541	1	shim mm 2.35
140	04334542	1	shim mm 2.30
140	04334543	1	shim mm 2.25
140	04334544	1	shim mm 2.20
140	04334545	1	shim mm 2.15
140	04334546	1	shim mm 2.10
140	04334547	1	shim mm 2.05
140	04334548	1	shim mm 2.00
140	04334549	1	shim mm 1.95
140	04334550	1	shim mm 1.90
140	04334551	1	shim mm 1.85
140	04334552	1	shim mm 1.80
140	04334553	1	shim mm 1.75
140	04334554	1	shim mm 1.70
140	04433184	1	shim mm 1.65
140	04433185	1	shim mm 1.60
140	04436332	1	shim mm 1.725
140	04436333	1	shim mm 1.775
140	04436334	1	shim mm 1.875
140	04436335	1	shim mm 1.925
140	04436336	1	shim mm 1.975
160	04415760	1	cover



LAYSHAFT - 2093 011 021

Fig.	P/n	QTY	Name
170	04415761	1	ring 35x2
180	0.010.2616.1	3	screw m 10x32





Suggest:

For more complete manuals. Please go to the home page.

<https://www.ebooklibonline.com>

If the above button click is invalid. Please download this document first, and then click the above link to download the complete manual.

Thank you so much for reading

MAIN SHAFT - 2093 011 021

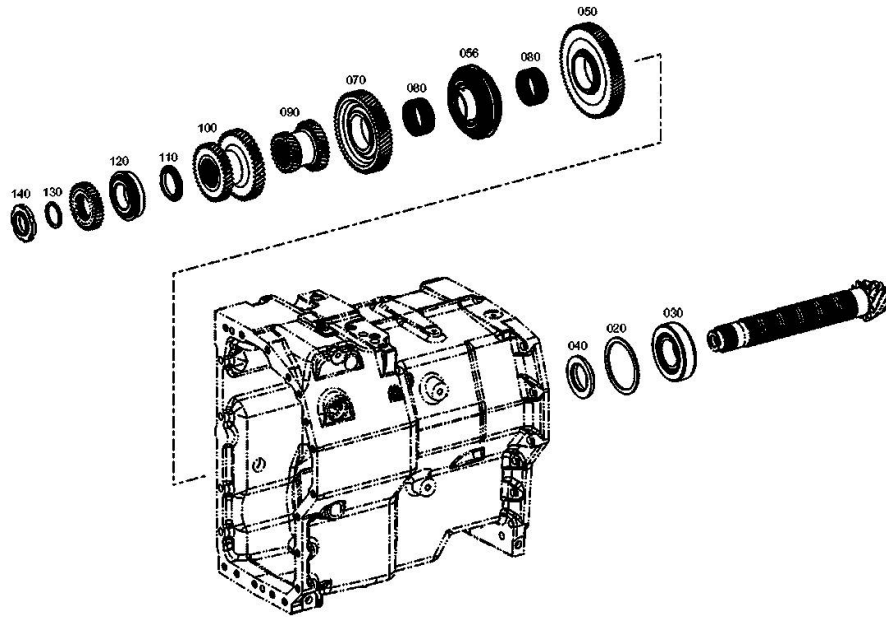
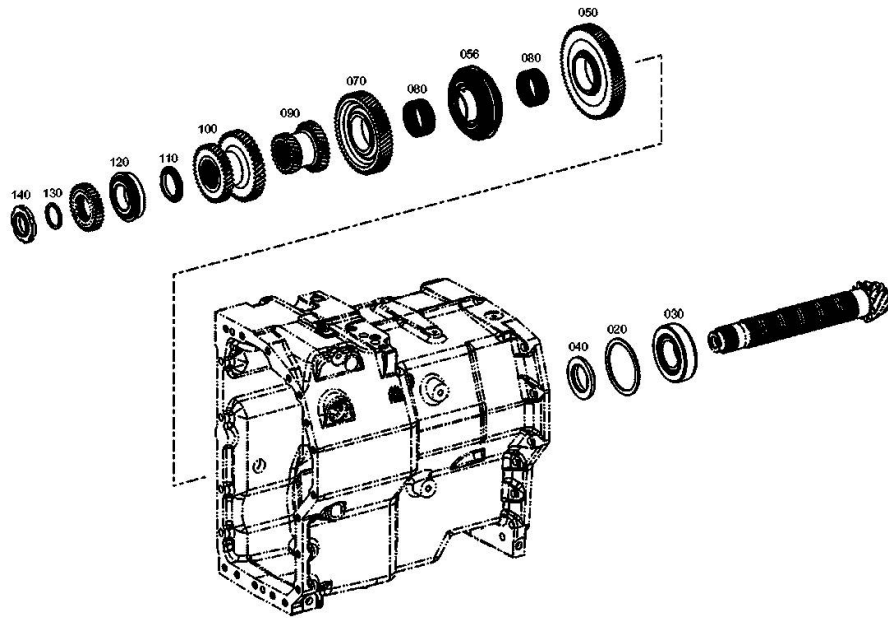


Fig.	P/n	QTY	Name
11	04417159	1	shim s = 10.4
20	0.010.2849.2	1	shim s = 3.75
20	0.010.2850.0	1	shim s = 3.70
20	0.010.2850.1	1	shim s = 3.65
20	0.010.2850.2	1	shim s = 3.60
20	0.010.2851.0	1	shim s = 3.55
20	0.010.2851.1	1	shim s = 3.50
20	0.010.2851.2	1	shim s = 3.45
20	0.010.2852.0	1	shim s = 3.40
20	0.900.1459.7	1	shim s = 3.2
20	0.900.1459.8	1	shim s = 3.25
20	0.900.1459.9	1	shim s = 3.3
20	0.900.1460.0	1	shim s = 3.35
20	04417170	1	shim s = 3.95
20	04417171	1	shim s = 3.9
20	04417172	1	shim s = 3.85
20	04417173	1	shim s = 3.8
20	04417174	1	shim s = 4.0
20	04417175	1	shim s = 4.05
20	04417176	1	shim s = 4.10
30	0.900.0882.5	1	roller bearing
40	0.900.1459.6	1	slewing ring Z = 46
50	0.900.1381.1	1	gear Z = 75
56	0.010.3840.2	1	lock synchronizer
70	0.900.1380.9	1	gear z = 57
80	04427570	2	roller cage
90	0.900.1381.2	1	gear Z = 31
100	0.900.1381.0	1	gear z=39/41
110	0.010.2858.0	1	shim s = 10.25
110	0.010.2858.1	1	shim s = 10.45
110	0.010.2858.2	1	shim s = 10.50
110	0.010.2859.0	1	shim s = 10.55
110	0.010.2859.1	1	shim s = 10.60
110	04417160	1	shim s = 10.3
110	04417161	1	shim s = 10.2
110	04417162	1	shim s = 10.1
110	04417163	1	shim s = 10.0
110	04417164	1	shim s = 9.9
110	04417165	1	shim s = 9.8
110	04417166	1	shim s = 9.7
110	04417167	1	shim s = 9.6
110	04424444	1	shim s = 9.85
110	04424445	1	shim s = 9.95
110	04424446	1	shim s = 10.05

MAIN SHAFT - 2093 011 021

Fig.	P/n	QTY	Name
110	04424447	1	shim s = 10.15
110	04435222	1	shim s = 10.35
120	04416082	1	roller bearing
130	0.010.2859.2	1	shim s = 3.75
130	0.010.2860.0	1	shim s = 3.80
130	0.010.2860.1	1	shim s = 3.85
130	0.010.2860.2	1	shim s = 3.90
130	0.010.2861.0	1	shim s = 3.95
130	0.010.2861.1	1	shim s = 4.00
130	0.900.1462.0	1	shim s = 2.70
130	0.900.1462.1	1	shim s = 2.8
130	04417146	1	shim s = 3.4
130	04417147	1	shim s = 3.35
130	04417148	1	shim s = 3.3
130	04417149	1	shim s = 3.25
130	04417150	1	shim s = 3.2
130	04417151	1	shim s = 3.15
130	04417152	1	shim s = 3.1
130	04417153	1	shim s = 3.45
130	04417154	1	shim s = 3.50
130	04417155	1	shim s = 3.55
130	04417156	1	shim s = 3.60
130	04417157	1	shim s = 3.65
130	04417158	1	shim s = 3.70
130	04424442	1	shim s = 2.90
130	04424443	1	shim s = 3.00
140	04415763	1	ring nut



<https://www.ebooklibonline.com>

Hello dear friend!

Thank you very much for reading.

Enter the link into your browser.

The full manual is available for immediate download.

<https://www.ebooklibonline.com>