

FRONT HYDRAULIC POWER-LIFT

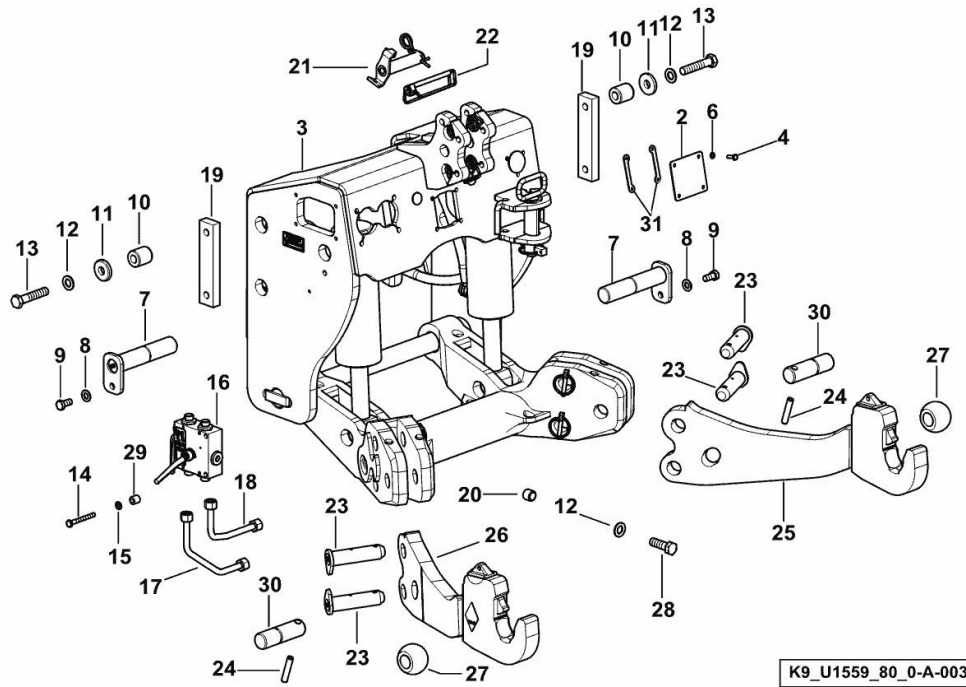


Fig.	P/n	QTY	Name
Notes:			
[Fortis 190 Infinity ->WSXU400200LS50010] 50013 <-			
2	0.018.4765.0	1	cover
3	0.020.5273.4	1	front power-lift ☞ 0.020.5273.4
4	2.0112.007.2	4	screw m 6 p.1 x 20
6	2.1475.001.7	4	washer 6.4x12
7	0.020.6022.0	2	pin
8	2.1310.007.2	2	flat washer 13 x 24
9	2.0114.409.2	2	screw m 12 x 25
10	0.020.6007.0	4	spacer
11	0.020.6008.0	4	washer
12	2.1310.010.2	14	flat washer 17x30
13	2.0114.623.2	4	screw m16 x 2 x 80
14	2.0112.223.2	2	screw m 8 p.1.25x70
15	2.1310.004.2	2	flat washer 8.4x17
16	0.020.5956.0	1	valve
17	0.020.6026.0	1	tube
18	0.020.6027.0	1	tube
19	0.020.6006.0	2	plate
20	2.1559.556.2	2	bushing 16x22x18
21	0.020.5952.0	1	pin
22	0.020.5950.0	1	pin
23	0.020.5947.0	4	pin
24	2.1630.919.2	2	pin
25	0.020.6062.0	1	left hand arm
26	0.020.6050.0	1	right hand arm
27	0.760.4552.0	2	cap cat. 2 - Ø mm 64 - mm 28.4
28	2.0114.617.2	10	screw m 16 x 50
29	0.020.7920.0	2	spacer
30	0.020.6024.0	2	pin
31	0.021.3476.0	2	bracket

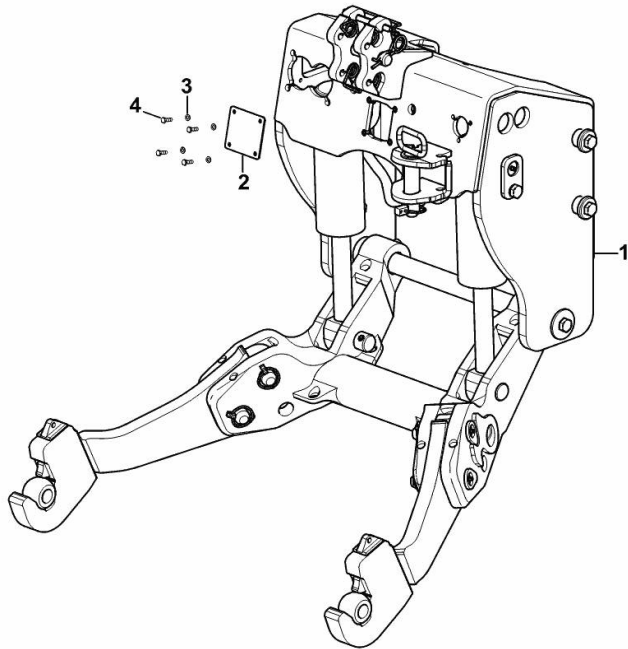
FRONT HYDRAULIC POWER-LIFT

Fig.	P/n	QTY	Name
------	-----	-----	------

Notes:

[Fortis 190 Infinity ->WSXU400200LS50010] -> 50014 - 50015 <-

1	0.020.4294.4	1	front power-lift ☞ 0.020.4294.4
2	0.018.4765.0	1	cover
3	2.1475.001.7	4	washer 6.4x12
4	2.0112.007.2	4	screw m 6 p.1 x 20



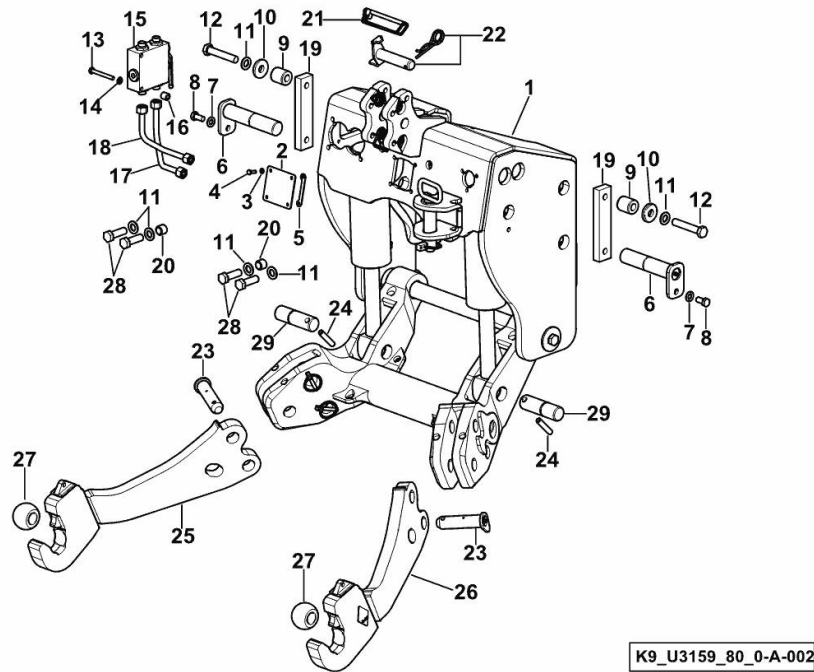
K9_U3159_80_0-A-001

FRONT HYDRAULIC POWER-LIFT

Fig.	P/n	QTY	Name
------	-----	-----	------

Notes:

[Fortis 190 Infinity ->WSXU400200LS50010]



1	0.020.4294.4/20	1	front power-lift ☞ 0.020.4294.4/20
2	0.018.4765.0	1	cover
3	2.1475.001.2	4	washer 6.4x12
4	2.0112.007.2	4	screw m 6 p.1 x 20
5	0.021.3476.0	2	bracket
6	0.020.6022.0	2	pin
7	2.1310.007.2	2	flat washer 13 x 24
8	2.0114.409.2	2	screw m 12 x 25
9	0.020.6007.0	4	spacer
10	0.020.6008.0	4	washer
11	2.1310.010.2	14	flat washer 17x30
12	2.0114.625.2	4	screw m 16 p.2x90
13	2.0112.223.2	2	screw m 8 p.1.25x70
14	2.1310.004.2	2	flat washer 8.4x17
15	0.020.5956.0	1	valve
16	0.020.7920.0	2	spacer
17	0.020.6026.0	1	tube
18	0.020.6027.0	1	tube
19	0.020.6006.0	2	plate
20	2.1559.556.2	2	bushing 16x22x18
21	0.020.5950.0	1	pin
22	0.020.5952.0	1	pin
23	0.020.5947.0	4	pin
24	2.1630.919.2	2	pin
25	0.020.6050.0	1	right hand arm
26	0.020.6062.0	1	left hand arm
27	0.760.4552.0	2	cap cat. 2 - Ø mm 64 - mm 28.4
28	2.0114.617.2	10	screw m 16 x 50
29	0.020.6024.0	2	pin

<https://www.ebooklibonline.com>

Hello dear friend!

Thank you very much for reading.

Enter the link into your browser.

The full manual is available for immediate download.

<https://www.ebooklibonline.com>

COVER

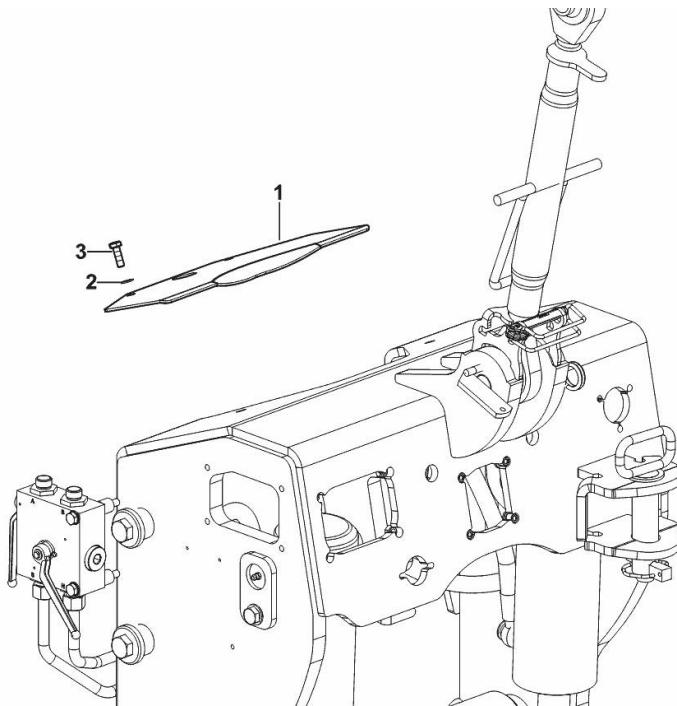
Fig.	P/n	QTY	Name
------	-----	-----	------

Notes:

[Fortis 190 Infinity ->WSXU400200LS50010]

1	0.020.3687.2	1	plate (50015 <-)
1	0.020.3687.2/10	1	plate
2	2.1475.002.2	2	conical washer 8
3	2.0112.209.2	2	screw m 8 p 1.25 x 25

K9_U1559_81_0-A-001



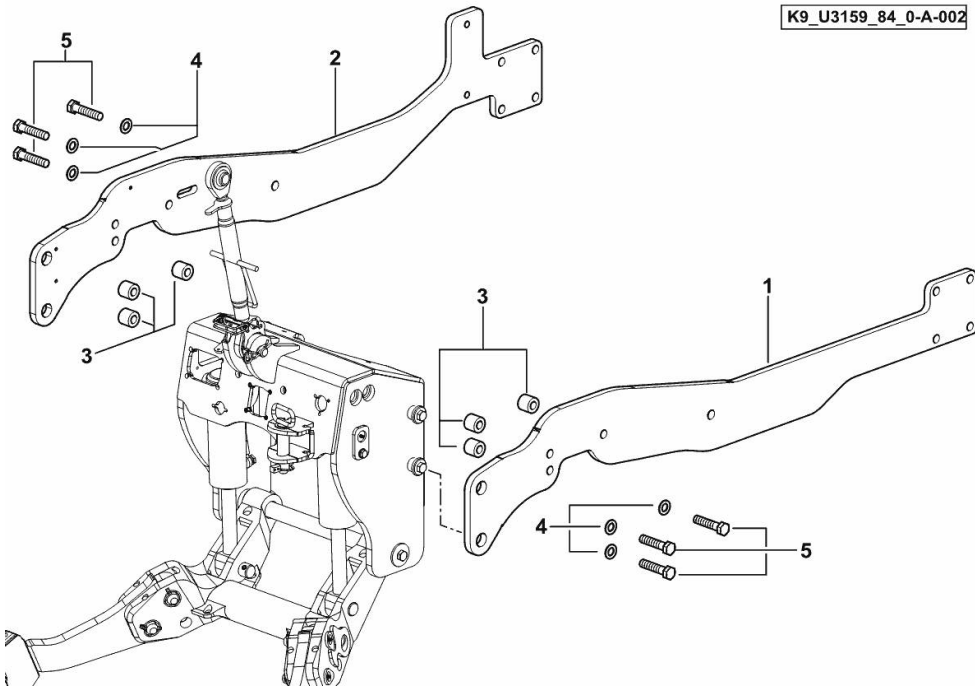
FRONT LIFT KIT

Fig.	P/n	QTY	Name
------	-----	-----	------

Notes:

[Fortis 190 Infinity ->WSXU400200LS50010] 50015 <-

1	0.019.1075.0/10	1	side member sx/lh/li
2	0.019.1076.0/10	1	side member dx/rh/re
3	2.1549.765.2	6	bushing 20.5x40x35
4	2.1310.013.2	6	flat washer 21x37
5	2.0399.302.2	6	screw m 20 p.2x90



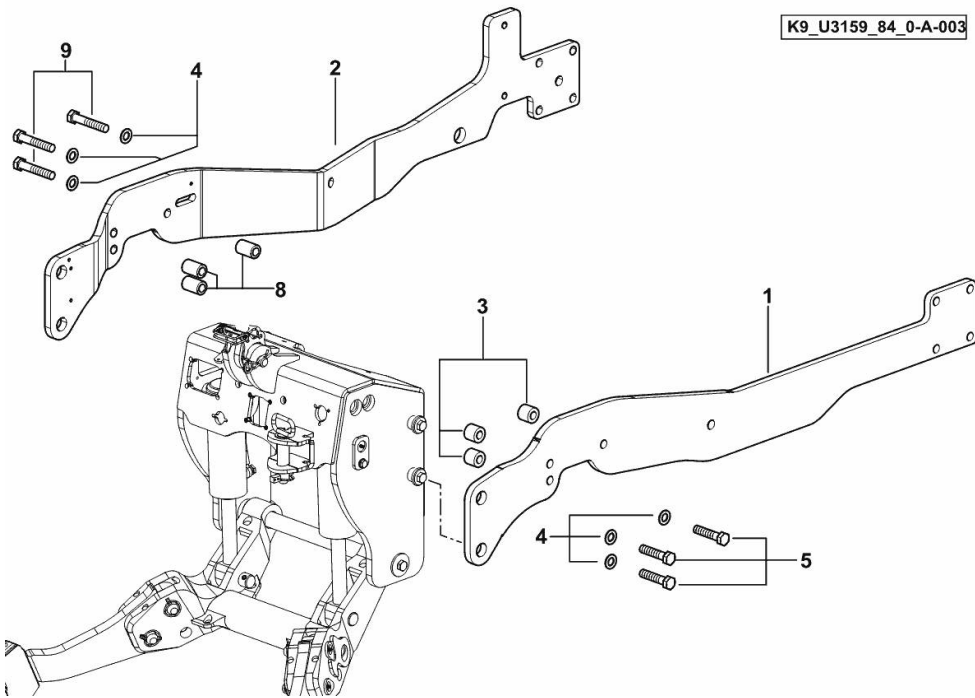
FRONT LIFT KIT

Fig.	P/n	QTY	Name
------	-----	-----	------

Notes:

[Fortis 190 Infinity ->WSXU400200LS50010]

1	0.019.1075.0/20	1	side member sx/lh/li
2	0.019.1076.0/40	1	side member dx/rh/re
3	2.1549.765.2	3	bushing 20.5x40x35
4	2.1310.013.2	6	flat washer 21x37
5	2.0399.302.2	3	screw m 20 p.2x90
8	2.1549.790.2	3	bushing
9	2.0399.381.2	3	screw M20 X 110



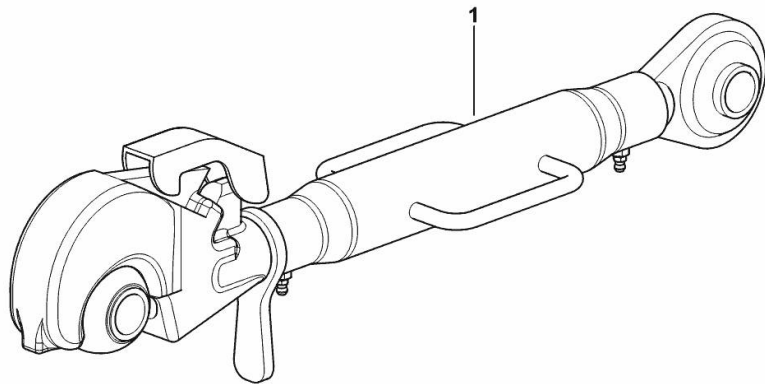
TOP LINK WITH AUTOMATIC COUPLING

Fig.	P/n	QTY	Name
------	-----	-----	------

Notes:

[Fortis 190 Infinity ->WSXU400200LS50010]

1	0.020.5930.4	1	3 point hitch
---	--------------	---	---------------



K9_V9158_02_0-A-001

Fortis 190 Infinity ->WSXU400200LS50010

Section: N0 - FRONT LIFT

Ref: N0.00.7 (1)

TOP LINK WITH MECHANICAL COUPLING

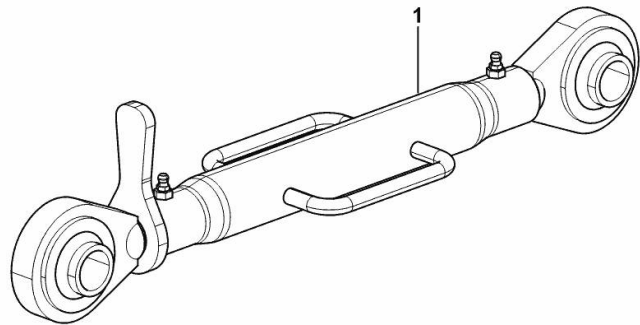
Fig.	P/n	QTY	Name
------	-----	-----	------

Notes:

[Fortis 190 Infinity ->WSXU400200LS50010] -> 50014

1	0.020.5925.4	1	top link
---	--------------	---	----------

K9_U3158_03_0-A-001



FRONT HYDRAULIC POWER-LIFT

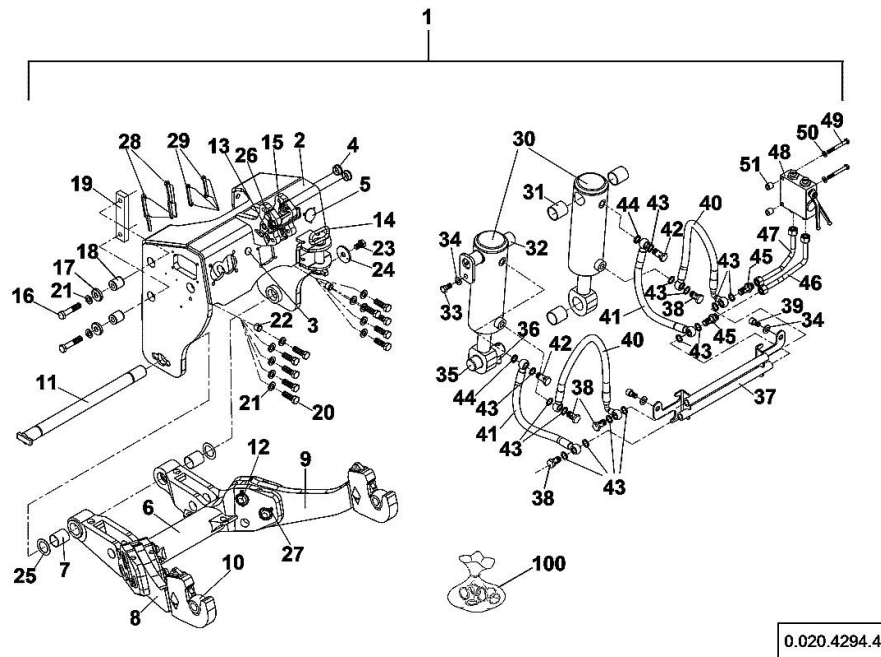
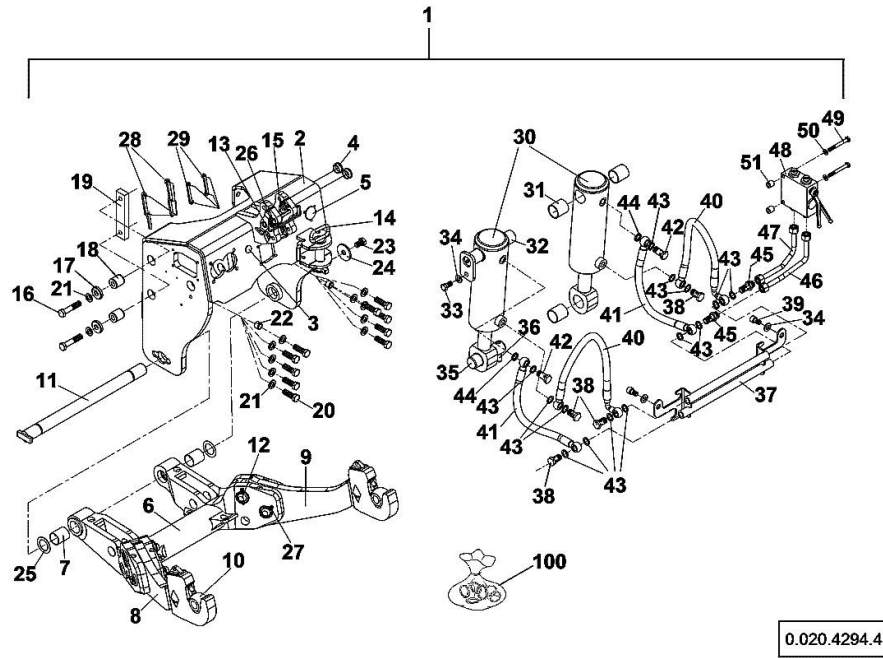


Fig.	P/n	QTY	Name
1	0.020.4294.4	1	front power-lift
2	0.000.0000.1	1	cannot be supplied
3	0.900.1987.4	2	plug Ø 190
4	0.900.0826.1	2	plug
5	0.900.0834.5	1	plug
6	0.900.0808.3	1	support
7	0.010.3047.1	2	bushing 40x44x50
8	0.900.0808.5	1	arm dx/rh/re
9	0.900.0808.4	1	arm sx/lh/li
10	0.900.0808.6	2	ball Ø 64
11	0.900.0808.7	1	shaft
12	0.900.0809.1	4	pin Ø 30 x 116
13	0.900.2137.5	1	pin 25x110
14	0.900.0809.8	1	pin Ø 31
15	0.900.2137.6	2	spring
16	0.010.3039.2	4	screw m 16 x 80
17	0.900.0808.9	4	washer 17x45x8
18	0.900.1987.3	4	bushing
19	0.900.0809.0	2	plate
20	0.010.3041.0	10	screw m 16 x 50
21	0.010.3037.0	14	washer 17x30x3
22	0.900.0809.3	2	bushing 16x22x18
23	0.010.3040.2	1	screw m 16 x 25
24	0.900.0809.5	1	washer 16.4x60x5
25	0.900.0809.9	2	shim 40x60x1
26	0.900.2226.3	1	spring
27	0.900.0825.8	2	piston pin 7.5x42, kit
28	0.900.2137.8	2	plate
29	0.900.2137.9	2	plate
30	0.010.3059.0	2	cylinder 80x36x160x325
31	0.010.3047.2	3	bushing 35x39x40
32	0.900.0810.1	2	pin
33	0.010.3040.1	2	screw m 12 x 25
34	0.010.3036.2	4	washer 13x24x2.5
35	0.900.0810.2	2	pin
36	0.900.0811.5	2	pin DIN 1481 - 12x60
37	0.900.1987.5	1	tube
38	0.010.3052.1	4	pipe union m 16 p.1.5
39	0.900.2019.6	2	screw m 12 x 16
40	0.900.1987.9	2	flexible hose
41	0.900.1988.0	2	flexible hose
42	0.900.1988.1	2	pipe union m16x1,5x33
43	0.010.3053.1	14	gasket 16x22.7x1.5
44	0.900.1988.2	2	gasket

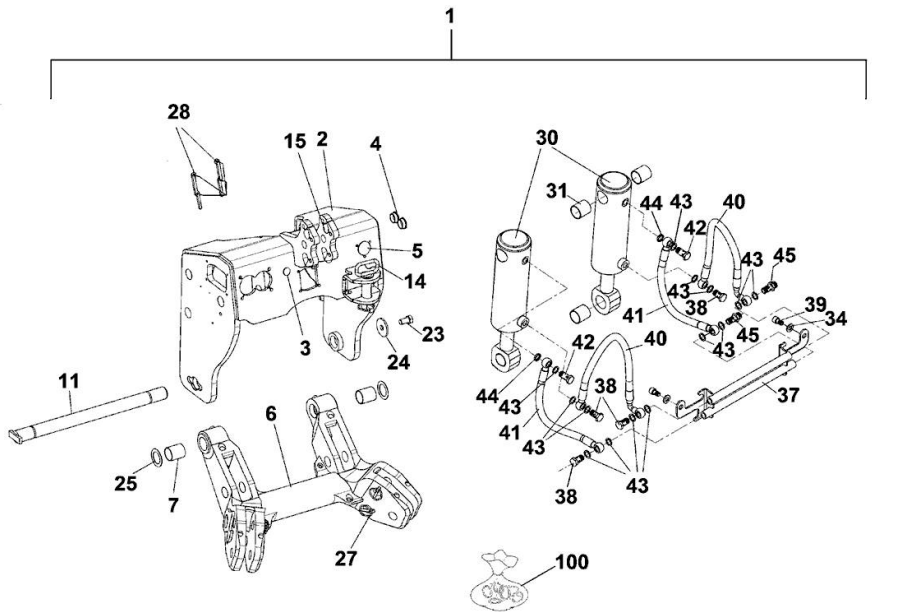
FRONT HYDRAULIC POWER-LIFT

Fig.	P/n	QTY	Name
45	0.900.0810.6	2	pipe fitting
46	0.900.1987.6	1	tube
47	0.900.1987.7	1	tube
48	0.900.0810.3	1	valve
49	0.010.3039.0	2	screw m 8 x 70
50	0.010.3036.1	2	washer 8.4x16x1.6
51	0.900.0811.3	2	bearing
100	0.900.0967.1	1	gasket set



FRONT HYDRAULIC POWER-LIFT

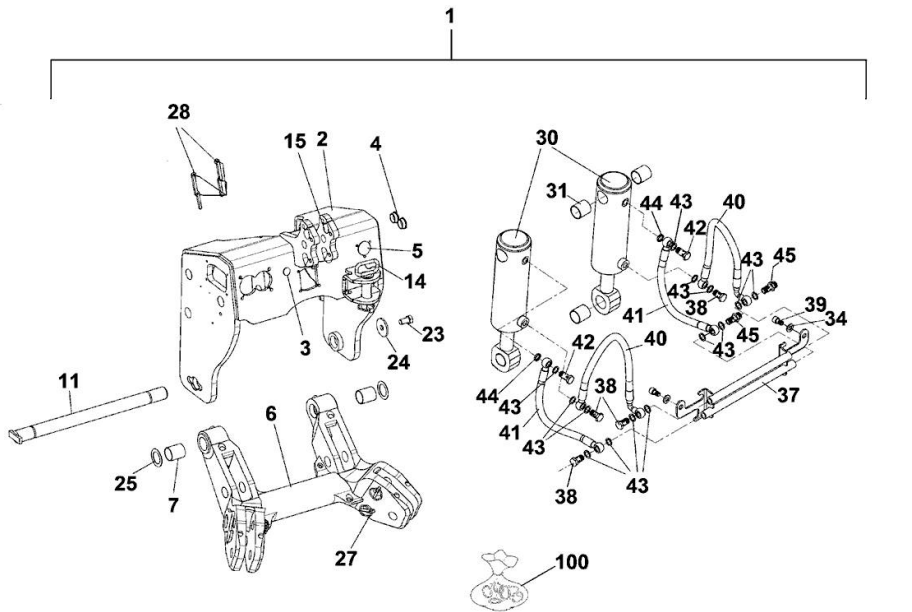
Fig.	P/n	QTY	Name
1	0.020.4294.4/10	1	front power-lift
2	*	1	cannot be supplied
3	0.900.1987.4	2	plug Ø 190
4	0.900.0826.1	2	plug
5	0.900.0834.5	1	plug
6	0.900.0808.3	1	support
7	0.010.3047.1	2	bushing 40x44x50
11	0.900.0808.7	1	shaft
14	0.900.0809.8	1	pin Ø 31
15	0.900.2137.6	2	spring
23	0.010.3040.2	1	screw m 16 x 25
24	0.900.0809.5	1	washer 16.4x60x5
25	0.900.0809.9	2	shim 40x60x1
27	0.900.0825.8	2	piston pin 7.5x42, kit
28	0.900.2137.8	2	plate
30	0.010.3059.0	2	cylinder 80x36x160x325
31	0.010.3047.2	3	bushing 35x39x40
37	0.900.1987.5	1	tube
38	0.010.3052.1	4	pipe union m 16 p.1.5
39	0.900.2019.6	2	screw m 12 x 16
40	0.900.1987.9	2	flexible hose
41	0.900.1988.0	2	flexible hose
42	0.900.1988.1	2	pipe union m16x1,5x33
43	0.010.3053.1	14	gasket 16x22.7x1.5
44	0.900.1988.2	2	gasket
45	0.900.0810.6	2	pipe fitting
100	0.900.0967.1	1	gasket set



0.020.4294.4/10

FRONT HYDRAULIC POWER-LIFT

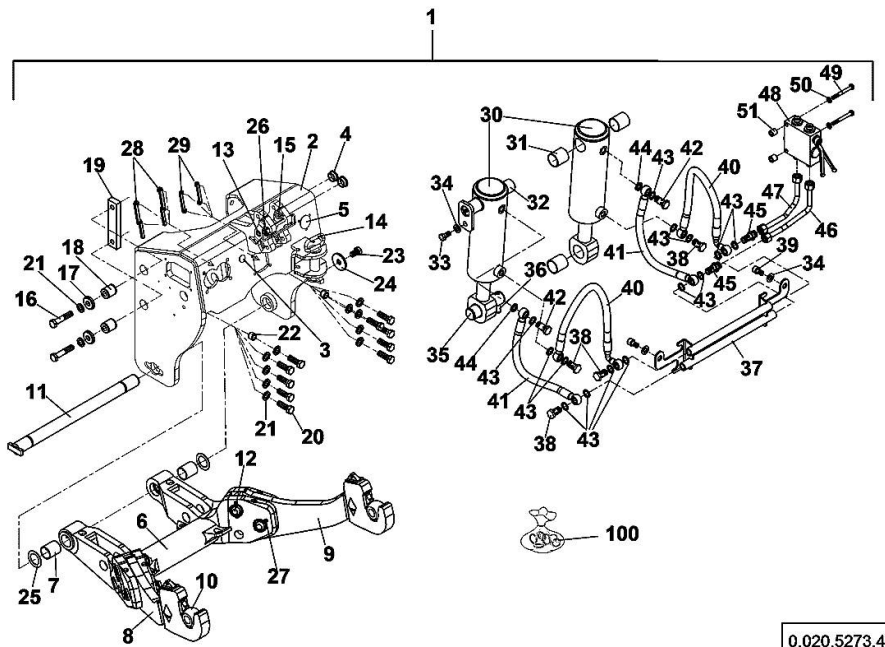
Fig.	P/n	QTY	Name
1	0.020.4294.4/20	1	front power-lift
2	*	1	cannot be supplied
3	0.900.1987.4	2	plug Ø 190
4	0.900.0826.1	2	plug
5	0.900.0834.5	1	plug
6	0.900.0808.3	1	support
7	0.010.3047.1	2	bushing 40x44x50
11	0.900.0808.7	1	shaft
14	0.900.0809.8	1	pin Ø 31
15	0.900.2137.6	2	spring
23	0.010.3040.2	1	screw m 16 x 25
24	0.900.0809.5	1	washer 16.4x60x5
25	0.900.0809.9	2	shim 40x60x1
27	0.900.0825.8	2	piston pin 7.5x42, kit
28	0.900.2137.8	2	plate
30	0.010.3059.0	2	cylinder 80x36x160x325
31	0.010.3047.2	3	bushing 35x39x40
37	0.900.1987.5	1	tube
38	0.010.3052.1	4	pipe union m 16 p.1.5
39	0.900.2019.6	2	screw m 12 x 16
40	0.900.1987.9	2	flexible hose
41	0.900.1988.0	2	flexible hose
42	0.900.1988.1	2	pipe union m16x1,5x33
43	0.010.3053.1	14	gasket 16x22.7x1.5
44	0.900.1988.2	2	gasket
45	0.900.0810.6	2	pipe fitting
100	0.900.0967.1	1	gasket set



0.020.4294.4/20

FRONT HYDRAULIC POWER-LIFT

Fig.	P/n	QTY	Name
1	0.020.5273.4	1	front power-lift
2	0.000.0000.1	1	cannot be supplied
3	0.900.1987.4	2	plug Ø 190
4	0.900.0826.1	2	plug
5	0.900.0834.5	1	plug
6	0.900.0808.3	1	support
7	0.010.3047.1	2	bushing 40x44x50
8	0.900.0808.5	1	arm dx/rh/re
9	0.900.0808.4	1	arm sx/lh/li
10	0.900.0808.6	2	ball Ø 64
11	0.900.0808.7	1	shaft
12	0.900.0809.1	4	pin Ø 30 x 116
13	0.900.2137.5	1	pin 25x110
14	0.900.0809.8	1	pin Ø 31
15	0.900.2137.6	2	spring
16	0.010.3039.2	4	screw m 16 x 80
17	0.900.0808.9	4	washer 17x45x8
18	0.900.1987.3	4	bushing
19	0.900.0809.0	2	plate
20	0.010.3041.0	10	screw m 16 x 50
21	0.010.3037.0	14	washer 17x30x3
22	0.900.0809.3	2	bushing 16x22x18
23	0.010.3040.2	1	screw m 16 x 25
24	0.900.0809.5	1	washer 16.4x60x5
25	0.900.0809.9	2	shim 40x60x1
26	0.900.2226.3	1	spring
27	0.900.0825.8	2	piston pin 7.5x42, kit
28	0.900.2137.8	2	plate
29	0.900.2137.9	2	plate
30	0.010.3059.0	2	cylinder 80x36x160x325
31	0.010.3047.2	6	bushing 35x39x40
32	0.900.0810.1	2	pin
33	0.010.3040.1	2	screw m 12 x 25
34	0.010.3036.2	4	washer 13x24x2.5
35	0.900.0810.2	2	pin
36	0.900.0811.5	2	pin DIN 1481 - 12x60
37	0.900.1987.5	1	tube
38	0.010.3052.1	4	pipe union m 16 p.1.5
39	0.900.2019.6	2	screw m 12 x 16
40	0.900.1987.9	2	flexible hose
41	0.900.1988.0	2	flexible hose
42	0.900.1988.1	2	pipe union m16x1,5x33
43	0.010.3053.1	14	gasket 16x22.7x1.5
44	0.900.1988.2	2	gasket



0.020.5273.4



Suggest:

For more complete manuals. Please go to the home page.

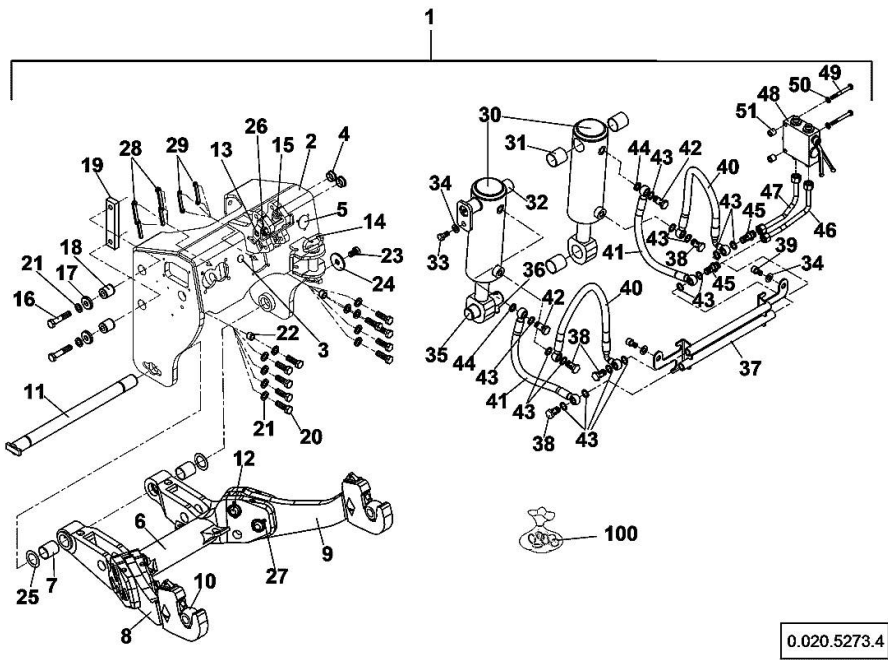
<https://www.ebooklibonline.com>

If the above button click is invalid. Please download this document first, and then click the above link to download the complete manual.

Thank you so much for reading

FRONT HYDRAULIC POWER-LIFT

Fig.	P/n	QTY	Name
45	0.900.0810.6	2	pipe fitting
46	0.900.1987.6	1	tube
47	0.900.1987.7	1	tube
48	0.900.0810.3	1	valve
49	0.010.3039.0	2	screw m 8 x 70
50	0.010.3036.1	2	washer 8.4x16x1.6
51	0.900.0811.3	2	bearing
100	0.900.0967.1	1	gasket set



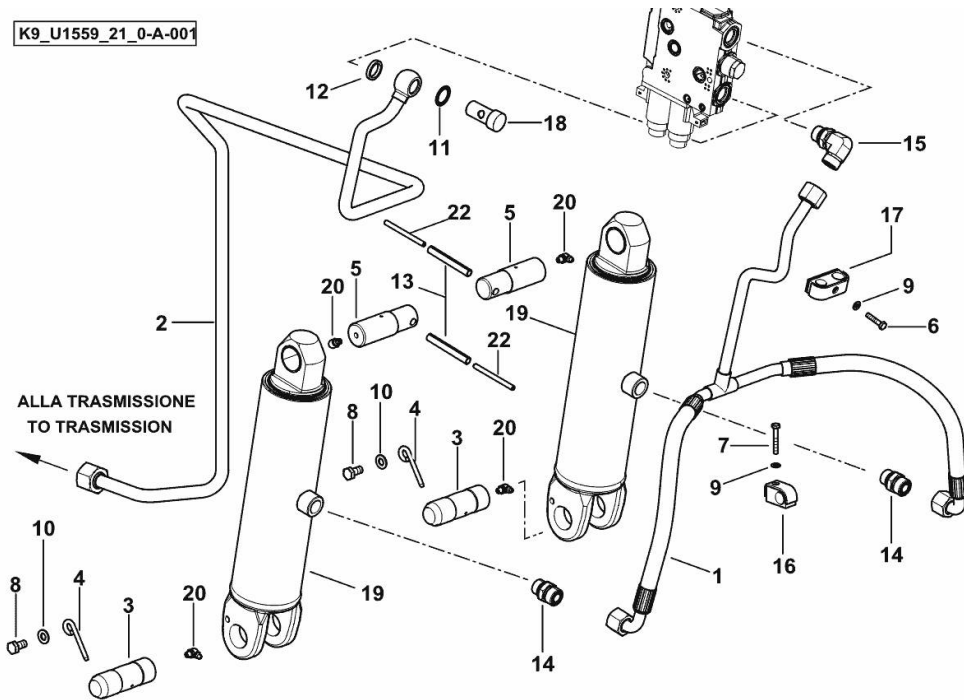
SUPPLEMENTARY HYDRAULIC CYLINDERS Ø 80

Fig.	P/n	QTY	Name
------	-----	-----	------

Notes:

[Fortis 190 Infinity ->WSXU400200LS50010]

K9_U1559_21_0-A-001



1	0.018.7533.3/30	1	tube
2	0.019.0788.3	1	tube
3	04411319	2	pin Ø 35x106
4	04413585	2	stop
5	04437636/10	2	pin
6	2.0112.011.2	1	screw m 6 p.1x30
7	2.0112.015.2	1	screw m 6 p.1x40
8	2.0114.307.2	2	screw m 10 x 20, d933
9	2.1310.002.2	2	flat washer 6.4x12.5
10	2.1310.006.2	2	flat washer 10.5x21
11	2.1561.112.0	1	gasket Ø 22 -B-
12	2.1569.172.0/10	1	gasket 29x22.2x5
13	2.1630.821.2	2	pin 10x80
14	2.3272.012.0	2	pipe fitting m 22 p.1.5
15	2.3273.008.0	1	pipe fitting m 22x1.5 - 1/14
16	2.3320.108.0	1	terminal
17	2.3320.217.0	1	collar Ø 16/18
18	2.3339.581.2/20	1	pipe union m 22 p.1.5x45
19	2.3749.011.0/10	2	cylinder WEBER-HYDRAULIK - 80x222 ☞ 2.3749.011.0/10
20	2.3821.302.2	4	grease gun m 8 p.1
22	2.1630.621.2	2	roll pin 6x80

<https://www.ebooklibonline.com>

Hello dear friend!

Thank you very much for reading.

Enter the link into your browser.

The full manual is available for immediate download.

<https://www.ebooklibonline.com>