

**HYDRAULIC SYSTEM - 2093 011 014**

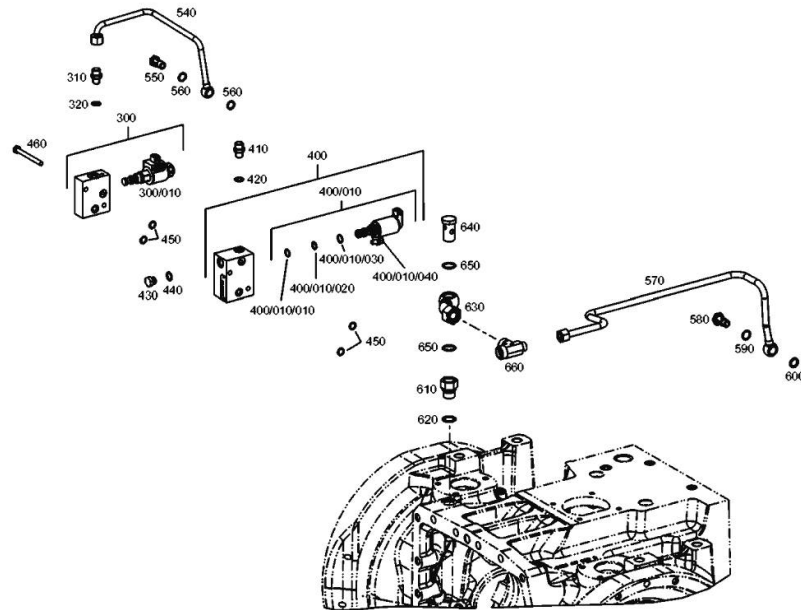
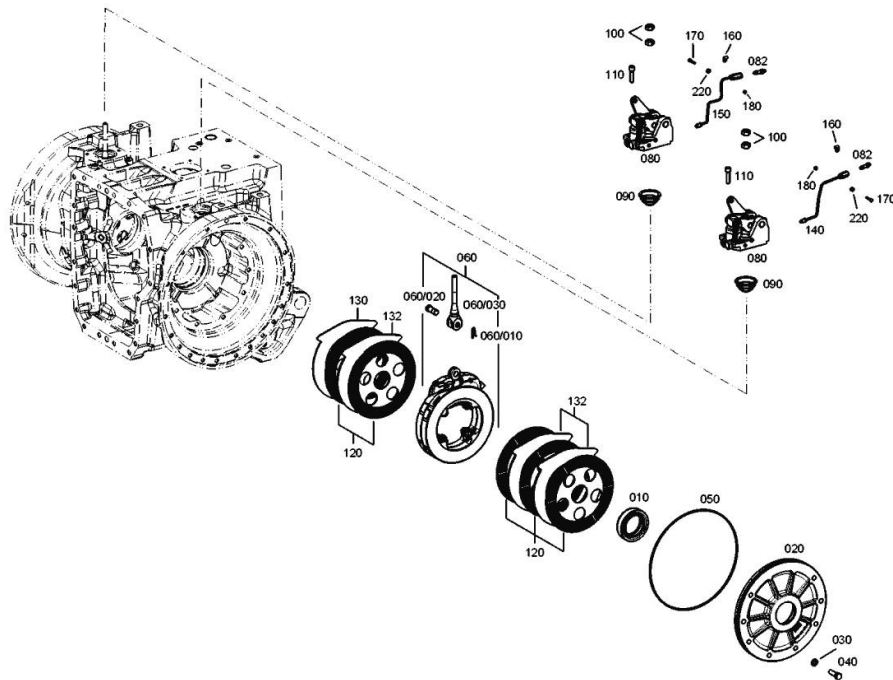


Fig.	P/n	QTY	Name
300	0.900.1363.3	1	small block
300.10	0.900.1384.6	1	solenoid valve
310	04417466	1	pipe fitting
320	04423731	1	oil seal 14 x 18
400	0.900.0952.1	1	control
400.10	0.900.0952.8	1	solenoid valve DV
400.10.10	0.900.1377.6	1	gasket 13 x 1.5
400.10.20	0.900.1377.5	1	gasket 12,4 x 1,78
400.10.30	0.900.1377.7	1	gasket 14x1.78
400.10.40	0.900.1377.8	1	screw m 8 x 16
410	04417466	1	pipe fitting
420	04423731	1	oil seal 14 x 18
430	0.900.0281.0	1	plug m 14 p.1.5
440	04423731	1	oil seal 14 x 18
450	0.900.0801.4	4	ring 11,3 x 2,4 NBR-70-10
460	0.900.1363.4	2	screw
540	0.900.1363.2	1	tube
550	0.900.0282.1	1	pipe union
560	04423731	2	oil seal 14 x 18
570	0.010.2894.2	1	pipng
580	04427560	1	pipe union
590	04436331	1	oil seal 16 x 20
600	0.900.0290.6	1	circlip
610	0.010.3826.2	1	pipe fitting
620	01118737	1	oil seal 22 x 27
630	0.010.3826.0	1	pipng
640	04415923	1	pipe union 18 DIN 7643
650	01118737	2	oil seal 22 x 27
660	04435710	1	vent

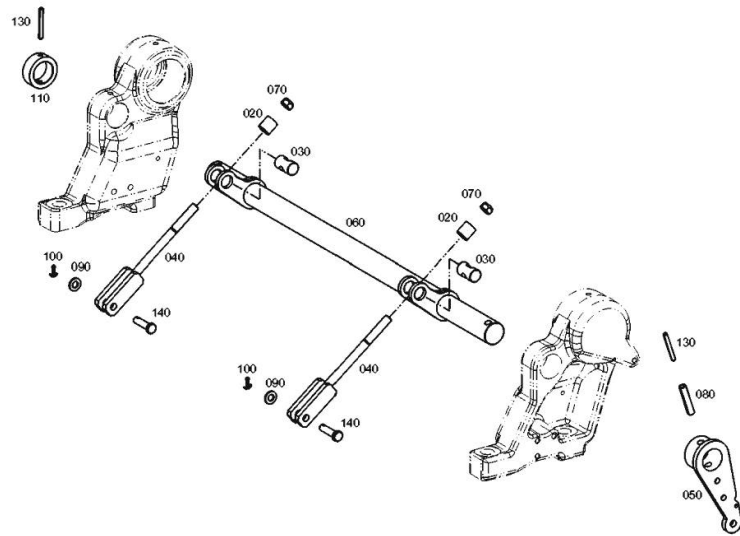
**REAR BRAKES - 2093 011 014**

Fig.	P/n	QTY	Name
10	04417316	2	oil seal
20	0.900.1239.5	2	cover
30	0.900.0277.9	4	washer
40	0.900.2018.4	16	screw
50	04428220	2	oil seal 305x4
60	0.900.1583.9	2	transmission brake
60.10	04435741	1	split pin
60.20	04435740	1	pin
60.30	04428551	1	rod
80	0.900.2018.5	2	operation
82	0.900.2124.5	2	breather
90	0.900.0800.9	2	rubber bushing
100	0.900.2019.0	4	nut
110	0.900.0469.7	6	screw m 10 x 40
120	0.900.1584.6	10	disc
130	0.900.0801.3	2	disc
132	0.900.0946.6	6	thin plate
140	04428545	1	tube sx/lh/li
150	04428546	1	pipng dx/rh/re
160	0.900.0468.2	2	clamp 6x12
170	0.900.0280.1	2	screw m 5 x 25
180	0.900.0470.2	2	nut m 5
220	0.900.0281.6	2	nut



**BRAKE CONTROLS - 2093 011 014**

Fig.	P/n	QTY	Name
20	0.900.1239.8	2	tube
30	0.900.1239.9	2	pin
40	0.900.2018.6	2	rod
50	0.900.2124.6	1	lever
60	0.900.2018.8	1	shaft
70	0.900.0281.9	2	nut m 12
80	0.900.2018.9	1	pin
90	0.900.0466.9	2	washer
100	0.900.2082.0	2	pin
110	0.900.1240.3	1	spacer
130	0.010.2901.1	2	pin 6x50
140	0.900.2015.9	2	ring



**<https://www.ebooklibonline.com>**

Hello dear friend!

Thank you very much for reading.

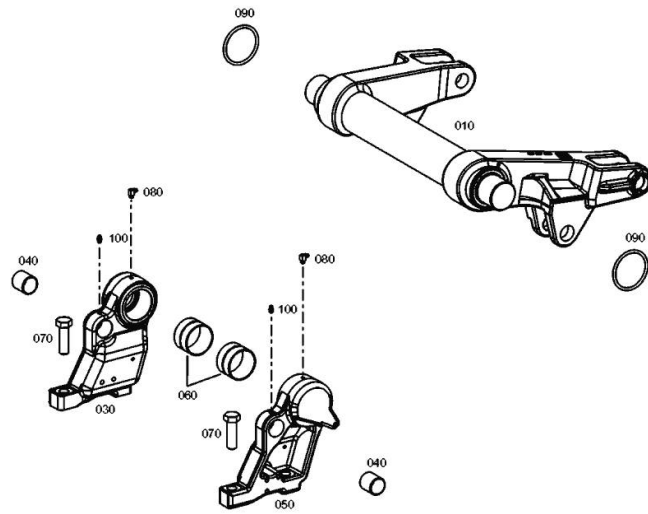
Enter the link into your browser.

The full manual is available for immediate download.

**<https://www.ebooklibonline.com>**

**LIFTING - 2093 011 014**

Fig.	P/n	QTY	Name
10	0.900.0883.4	1	shaft
30	0.900.1407.9	1	bearing block dx/rh/re
40	0.900.1431.3	2	bearing
50	0.900.1408.0	1	bearing block sx/lh/li
60	04417549	2	special bushing
70	0.900.0469.1	4	screw m 20x65
80	0.900.0498.6	2	grease gun
90	04417552	2	ring 78.5x6
100	0.010.2922.2	2	grease gun m 8 p.1 x 8



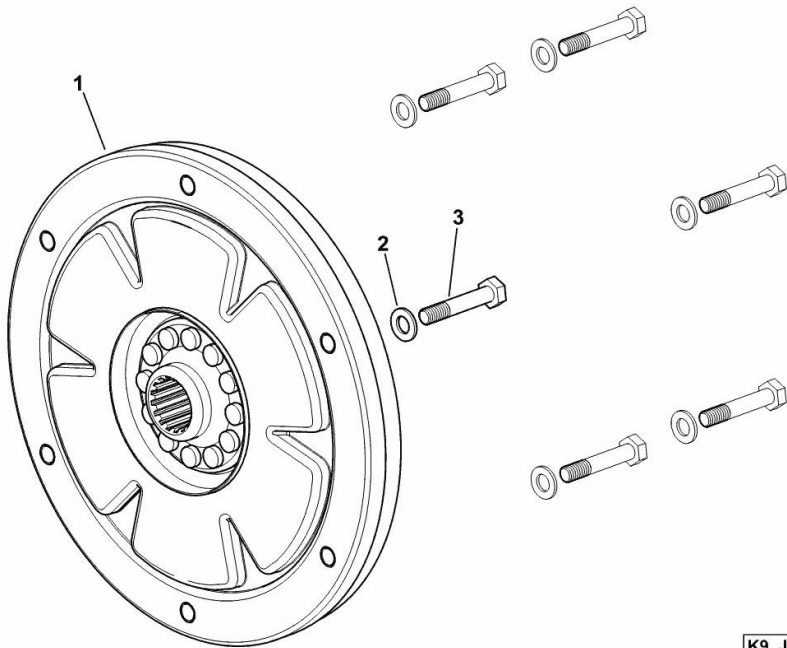
**FLEXIBLE COUPLINGS**

Fig.	P/n	QTY	Name
------	-----	-----	------

**Notes:**

[Fortis 180 ->WSXU280200LS50010] 50010 <-

1	04438731.4	1	vibration damper
2	2.1475.003.2	6	washer 10
3	2.0113.320.7	6	screw m 10 p.1.5 x 55



K9\_J6630\_02\_0-A-001

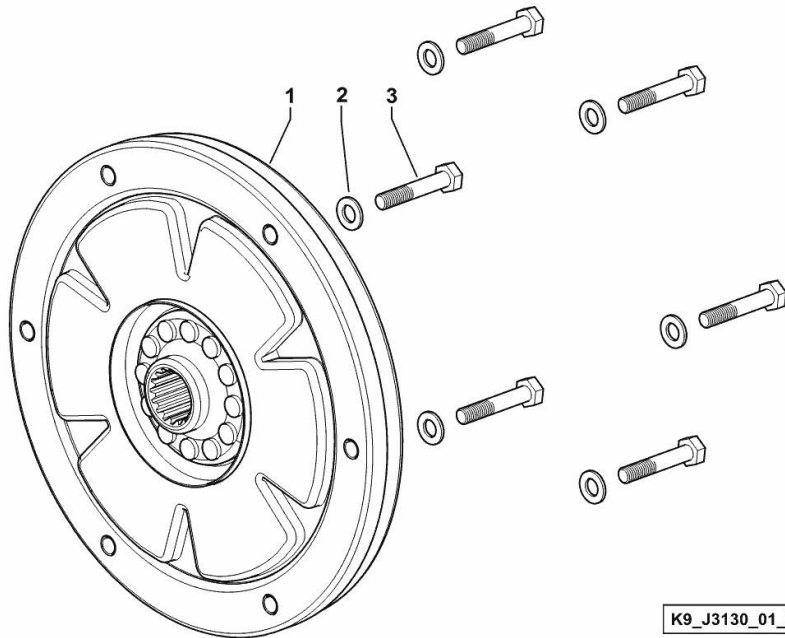
**FLEXIBLE COUPLINGS**

Fig.	P/n	QTY	Name
------	-----	-----	------

**Notes:**

[Fortis 180 ->WSXU280200LS50010] -> 50011

1	0.015.4319.4	1	vibration damper
2	2.1475.003.2	6	washer 10
3	2.0113.320.7	6	screw m 10 p.1.5 x 55



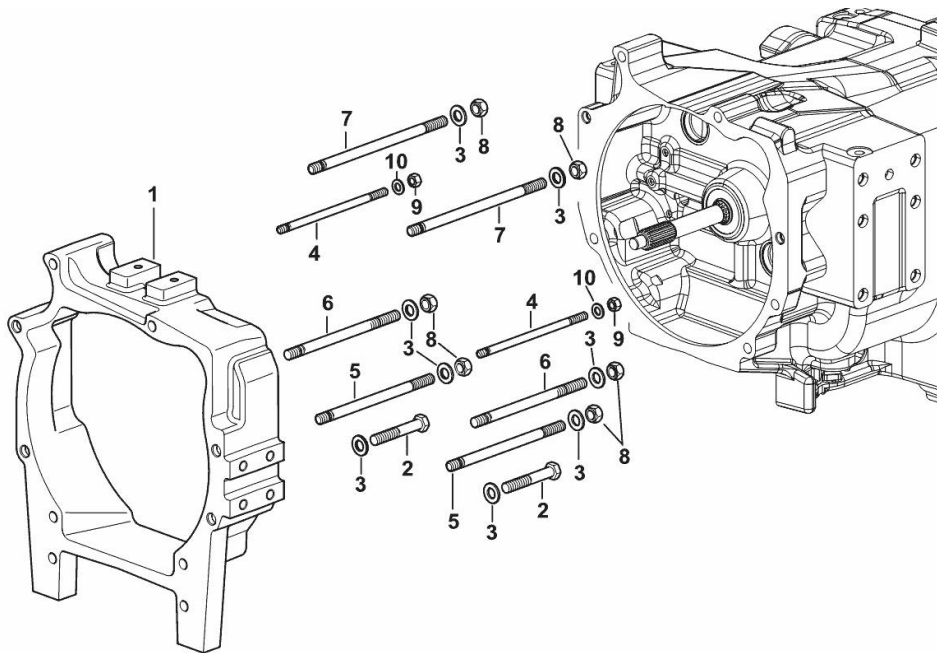
**FIXING PARTS - MOTOR - GEARS**

Fig.	P/n	QTY	Name
------	-----	-----	------

**Notes:**

[Fortis 180 ->WSXU280200LS50010]

1	04455205/10	1	flange
2	2.0113.629.2	2	screw m 16 p.2x100
3	2.1475.106.7	8	washer 17x32
4	2.0439.281.7/10	2	stud bolt m 12 p.1.75-1.25x238
5	2.0439.282.7/10	2	stud bolt m 16 p.2-1.5x252
6	2.0439.296.7/10	2	stud bolt m 16 p.2-1.5x242
7	2.0439.283.7/10	2	stud bolt m 16 p.2-1.5x297
8	2.1012.409.7	6	nut m 16
9	2.1011.422.2	2	nut m 12 p.1.25
10	2.1475.104.7	2	washer 13 x 24



K9\_J6631\_03\_0-A-001

**CONNECTING PLATE mm 20**

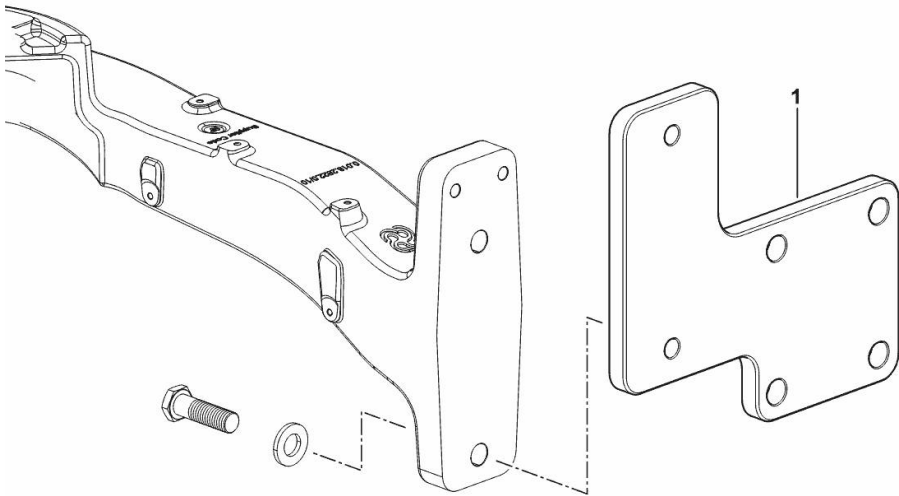
Fig.	P/n	QTY	Name
------	-----	-----	------

**Notes:**

[Fortis 180 ->WSXU280200LS50010]

1	0.017.7992.0	1	spacer dx/rh/re
---	--------------	---	-----------------

K9\_U1556\_02\_0-A-001



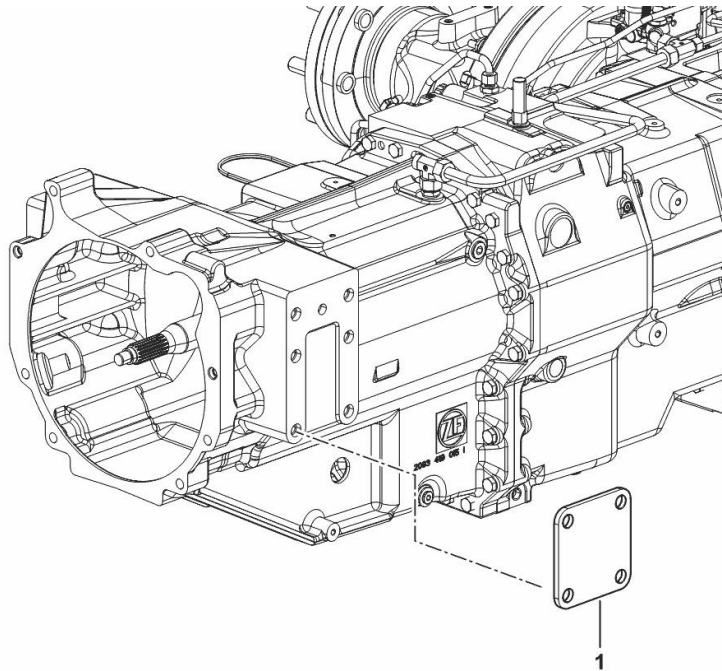
**SEPARATOR mm 10**

Fig.	P/n	QTY	Name
------	-----	-----	------

**Notes:**

[Fortis 180 ->WSXU280200LS50010]

1	0.018.8096.0	1	spacer mm 10
---	--------------	---	--------------



K9\_U1556\_04\_0-A-001

**CONNECTING PLATE mm 20**

---

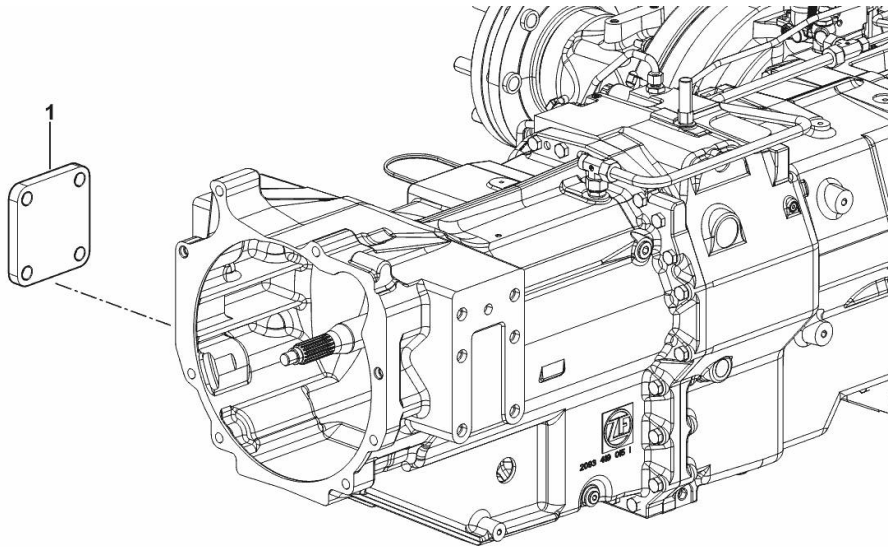
Fig.	P/n	QTY	Name
------	-----	-----	------

---

**Notes:**

[Fortis 180 ->WSXU280200LS50010]

1	0.018.8192.0	1	spacer
---	--------------	---	--------



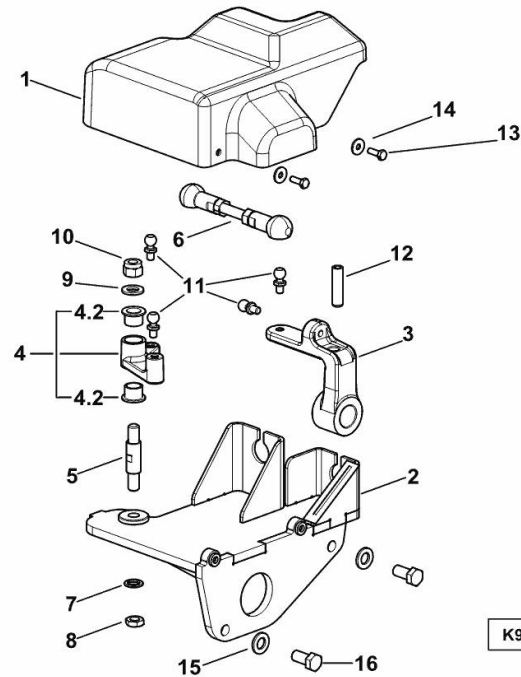
K9\_U1556\_03\_0-A-001

**GEAR SHIFTING**

Fig.	P/n	QTY	Name
------	-----	-----	------

**Notes:**

[Fortis 180 ->WSXU280200LS50010] 50010 <-



K9\_J3164\_04\_0-A-001

1	0.016.3928.0/10	1	cover
2	0.016.5459.2/20	1	support
3	0.016.3972.0/20	1	lever
4	0.016.3962.4	1	lever
4.2	2.1559.276.0/10	2	special bushing 16x20x15
5	0.016.2711.0/10	1	pin
6	0.016.3969.4/10	1	rod
7	2.1474.011.2	1	spring washer 12
8	2.1011.107.2	1	nut m 12 p.1.75
9	2.1310.007.2	1	flat washer 13 x 24
10	2.1120.007.2	1	self-locking nut m 12 p.1.75
11	0.014.1947.0	4	small pin
12	2.1630.916.2	1	pin 12x45
13	2.0112.006.2	2	screw m 6 p.1 x 18
14	2.1312.003.2	2	washer 6
15	2.1475.104.6	2	screw 13 x 24
16	2.0114.409.2	2	screw m 12 x 25

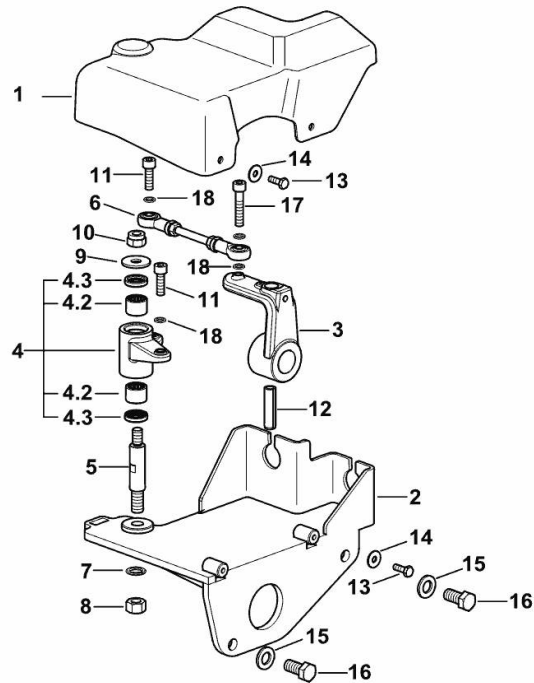
**GEAR SHIFTING**

Fig.	P/n	QTY	Name
------	-----	-----	------

**Notes:**

[Fortis 180 ->WSXU280200LS50010] -> 50011

1	0.019.4943.0	1	cover
2	0.016.5459.2/20	1	support
3	0.019.5033.0	1	lever
4	0.019.5053.4	1	lever
4.2	2.2725.020.0	2	roller cage 16x22x16
4.3	2.1519.078.0	2	special oil seal 16 x 24 x 6
5	0.016.2711.0/20	1	pin
6	0.019.4543.4	1	stay
7	2.1474.011.2	1	spring washer 12
8	2.1011.107.2	1	nut m 12 p.1.75
9	2.1312.005.2	1	washer 10.2
10	2.1120.006.2	1	nut m 10 p.1.5
11	2.0312.208.2	2	screw m 8 p.1.25 x 25
12	2.1630.916.2	1	pin 12x45
13	2.0112.006.2	2	screw m 6 p.1 x 18
14	2.1312.003.2	2	washer 6
15	2.1475.104.6	2	screw 13 x 24
16	2.0114.409.2	2	screw m 12 x 25
17	2.0312.214.2	1	screw m 8 p.1.25 x 40
18	2.1549.780.2	4	washer



K9\_J3164\_04\_0-A-002



**Suggest:**

**For more complete manuals. Please go to the home page.**

**<https://www.ebooklibonline.com>**

**If the above button click is invalid. Please download this document first, and then click the above link to download the complete manual.**

**Thank you so much for reading**

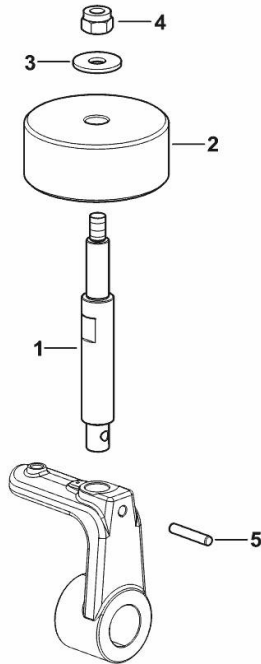
**GEAR SHIFTING**

Fig.	P/n	QTY	Name
------	-----	-----	------

**Notes:**

[Fortis 180 ->WSXU280200LS50010]

1	0.019.5035.0/10	1	pin
2	0.019.4933.0/10	1	mass
3	2.1312.005.2	1	washer 10.2
4	2.1120.006.2	1	nut m 10 p.1.5
5	2.1659.533.2	1	pin



K9\_U1564\_01\_0-A-001

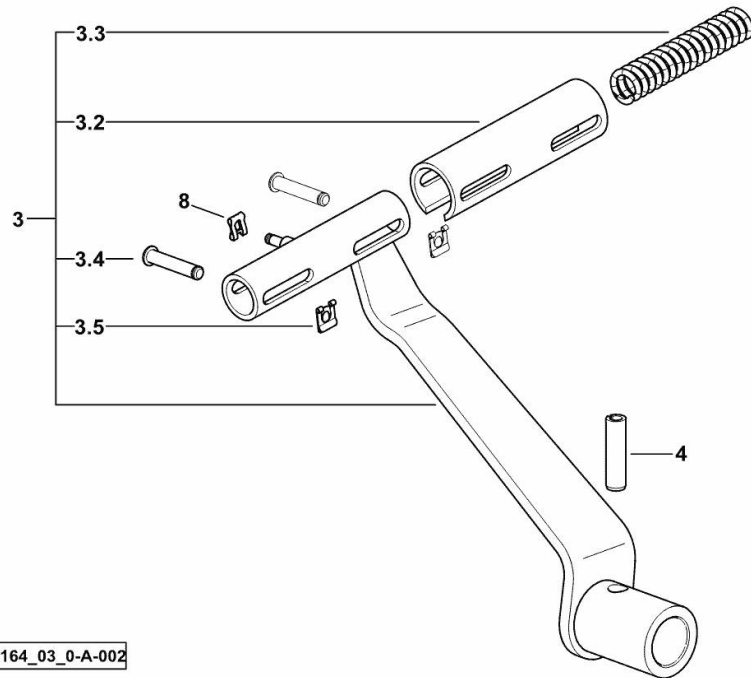
**SUPER-REDUCTION CONTROL**

Fig.	P/n	QTY	Name
------	-----	-----	------

**Notes:**

[Fortis 180 ->WSXU280200LS50010]

3	0.017.9592.4/10	1	lever
3.2	04414554.4	1	tube
3.3	04414549	1	spring
3.4	04414557	2	pin
3.5	01175655	2	stop
4	2.1630.916.2	1	pin 12x45
8	01175725	1	clip 6, d128



K9\_R5164\_03\_0-A-002

**<https://www.ebooklibonline.com>**

Hello dear friend!

Thank you very much for reading.

Enter the link into your browser.

The full manual is available for immediate download.

**<https://www.ebooklibonline.com>**