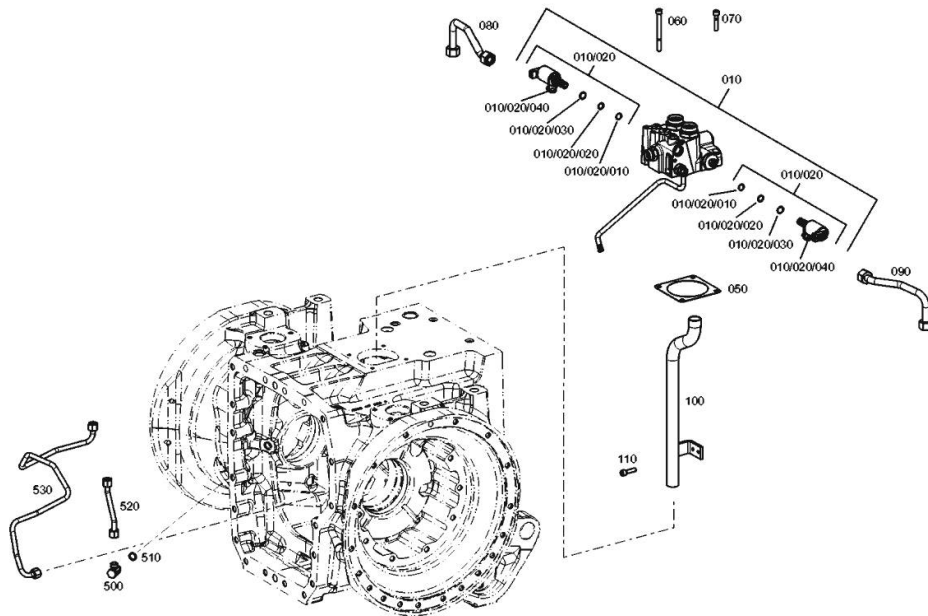


OIL SUPPLY - 2093 011 024

Fig.	P/n	QTY	Name
10	0.900.0984.8	1	valve
10.20	0.900.0952.8	2	solenoid valve DV
10.20.10	0.900.1377.6	1	gasket 13 x 1.5
10.20.20	0.900.1377.5	1	gasket 12,4 x 1,78
10.20.30	0.900.1377.7	1	gasket 14x1.78
10.20.40	0.900.1377.8	1	screw m 8 x 16
50	0.900.0885.3	1	gasket
60	0.900.0882.4	2	screw m 8x95
70	0.900.0882.1	2	screw m 8 x 40
80	0.900.0954.0	1	gasket
90	0.900.0954.1	1	pipng
100	0.900.0883.3	1	tube
110	04434509	2	screw m 8 x 30
500	04417707	1	pipe fitting
510	04423731	1	oil seal 14 x 18
520	0.010.2973.0	1	pipng
530	0.010.2899.2	1	tube



OIL SUPPLY - 2093 011 024

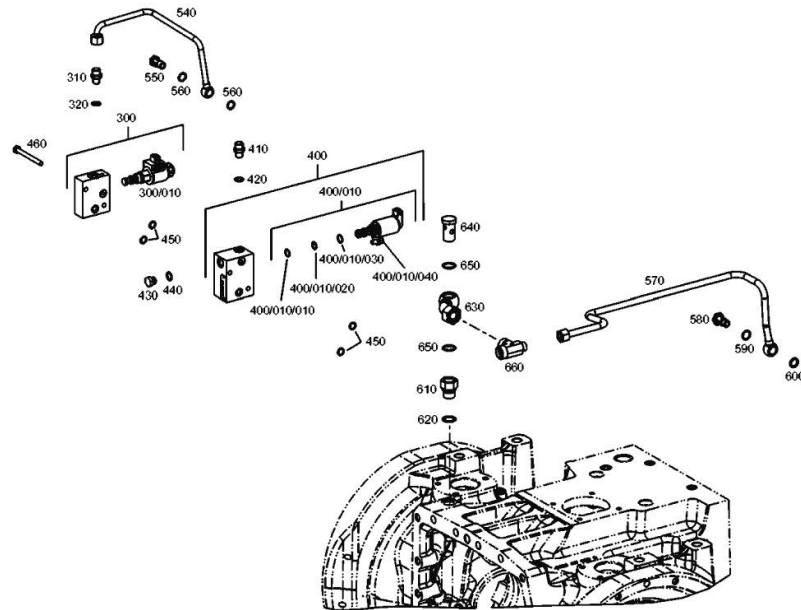
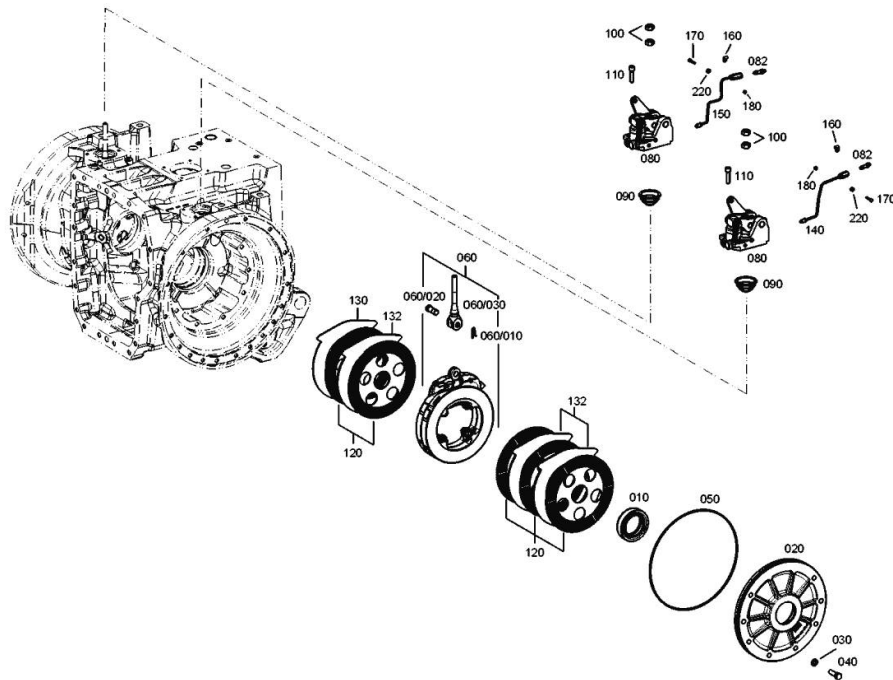


Fig.	P/n	QTY	Name
300	0.900.1363.3	1	small block
300.10	0.900.1384.6	1	solenoid valve
310	04417466	1	pipe fitting
320	04423731	1	oil seal 14 x 18
400	0.900.0952.1	1	control
400.10	0.900.0952.8	1	solenoid valve DV
400.10.10	0.900.1377.6	1	gasket 13 x 1.5
400.10.20	0.900.1377.5	1	gasket 12,4 x 1,78
400.10.30	0.900.1377.7	1	gasket 14x1.78
400.10.40	0.900.1377.8	1	screw m 8 x 16
410	04417466	1	pipe fitting
420	04423731	1	oil seal 14 x 18
430	0.900.0281.0	1	plug m 14 p.1.5
440	04423731	1	oil seal 14 x 18
450	0.900.0801.4	4	ring 11,3 x 2,4 NBR-70-10
460	0.900.1363.4	2	screw
540	0.900.1363.2	1	tube
550	0.900.0282.1	1	pipe union
560	04423731	2	oil seal 14 x 18
570	0.010.2894.2	1	pipng
580	04427560	1	pipe union
590	04436331	1	oil seal 16 x 20
600	0.010.2895.0	1	gasket 14x20
610	0.010.3826.2	1	pipe fitting
620	01118737	1	oil seal 22 x 27
630	0.010.3826.0	1	pipng
640	04415923	1	pipe union 18 DIN 7643
650	01118737	2	oil seal 22 x 27
660	04435710	1	vent

REAR BRAKES - 2093 011 024

Fig.	P/n	QTY	Name
10	04417316	2	oil seal
20	0.900.1239.5	2	cover
30	0.900.0277.9	4	washer
40	0.900.0279.7	16	screw m 12 x 40
50	04428220	2	oil seal 305x4
60	0.900.1583.9	2	transmission brake
60.10	04435741	1	split pin
60.20	04435740	1	pin
60.30	04428551	1	rod
80	0.900.2018.5	2	operation
82	0.900.2124.5	2	breather
90	0.900.0800.9	2	rubber bushing
100	04434557	4	nut m 14 p.1.5
110	0.900.0469.7	6	screw m 10 x 40
120	0.900.1584.6	10	disc
130	0.900.0801.3	2	disc
132	0.900.0946.6	6	thin plate
140	04428545	1	tube sx/lh/li
150	04428546	1	piping dx/rh/re
160	0.900.0468.2	2	clamp 6x12
170	0.900.0280.1	2	screw m 5 x 25
180	0.900.0470.2	2	nut m 5
220	0.900.0281.6	2	nut



<https://www.ebooklibonline.com>

Hello dear friend!

Thank you very much for reading.

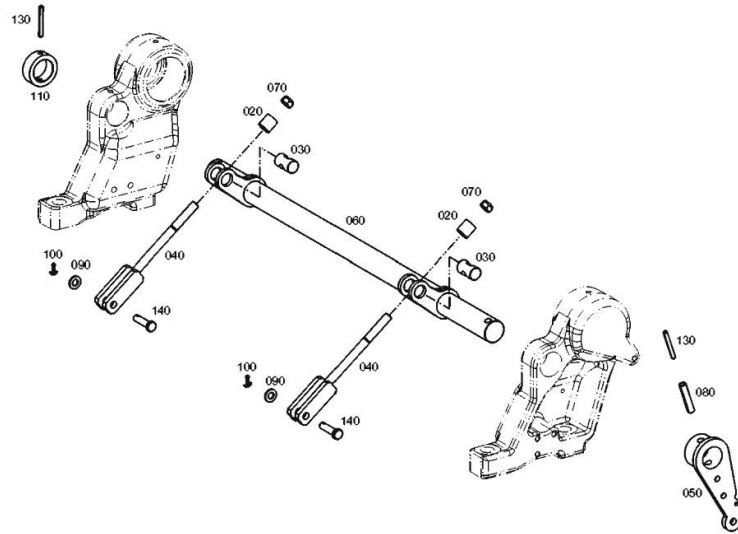
Enter the link into your browser.

The full manual is available for immediate download.

<https://www.ebooklibonline.com>

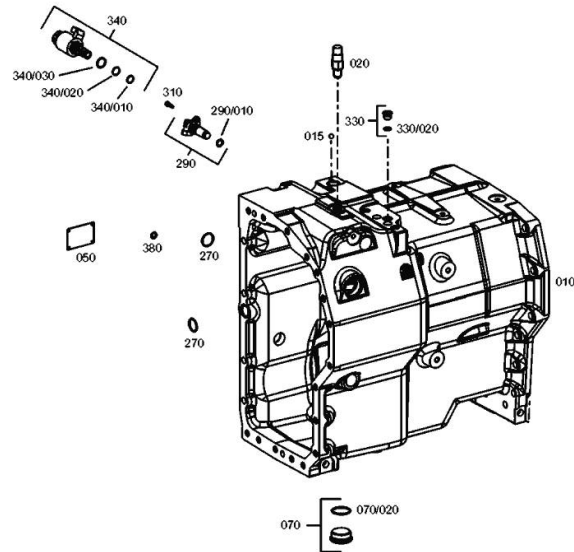
BRAKE CONTROLS - 2093 011 024

Fig.	P/n	QTY	Name
20	0.900.1239.8	2	tube
30	0.900.1239.9	2	pin
40	0.900.2018.6	2	rod
50	0.900.2124.6	1	lever
60	0.900.2018.8	1	shaft
70	0.900.0281.9	2	nut m 12
80	0.900.2018.9	1	pin
90	0.900.0466.9	2	washer
100	0.900.2082.0	2	pin
110	0.900.1240.3	1	spacer
130	0.010.2901.1	2	pin 6x50
140	0.900.2015.9	2	ring



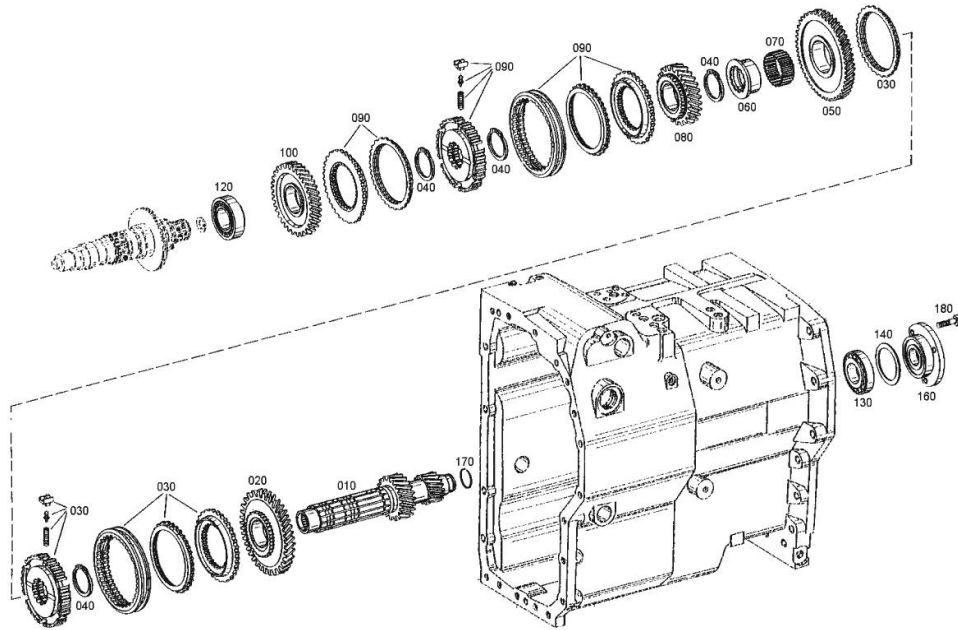
GEARBOX - 2093 011 024

Fig.	P/n	QTY	Name
10	0.900.2048.9	1	gear box
15	04309268	1	ball
20	04416066	1	switch
50	04415260	1	plate
70	04435197	1	plug
70.20	02315144	1	oil seal 38x2.5
270	0.010.3257.2	2	gasket 28x2.5
290	04438450	1	speed sensor L = 53,0mm
290.10	04417747	1	oil seal 15.54x2.62
310	04434551	1	screw m 8 p.1.25 x 20
330	04435199	1	screw
330.20	02315162	1	oil seal 13x2
340	0.900.2094.5	1	solenoid valve
380	01160038	1	oil seal



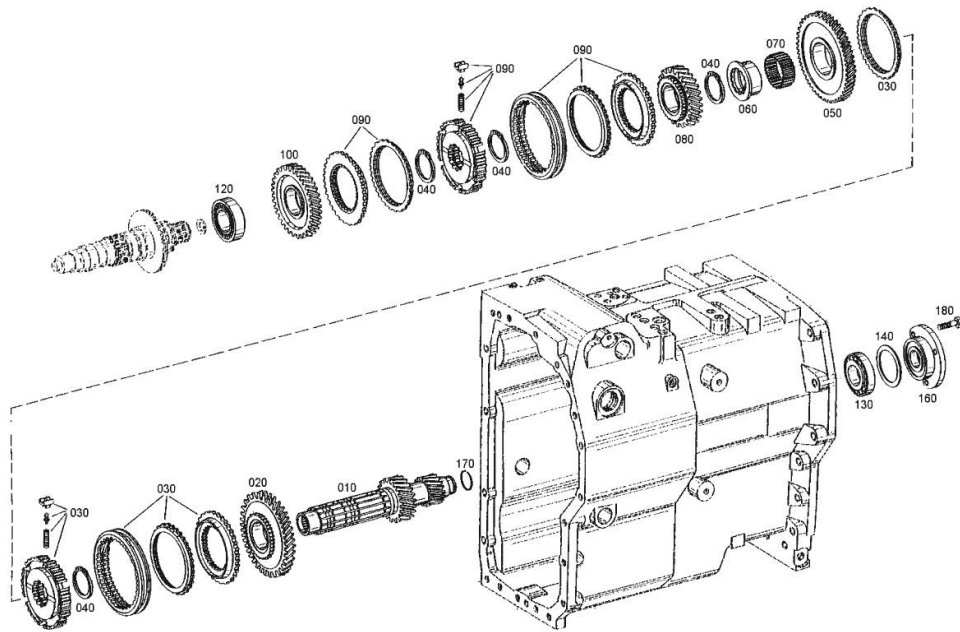
LAYSHAFT - 2093 011 024

Fig.	P/n	QTY	Name
10	0.900.0125.7	1	shaft
20	0.900.1380.7	1	gear Z = 47
30	0.900.0881.6	1	lock synchronizer
40	04415687	4	circlip
50	0.900.1380.8	1	gear Z = 58
60	04417177	1	bush L = 32.3
60	04417178	1	bush L = 32.4
60	04417179	1	bush L = 32.5
60	04417180	1	bush L = 32.6
60	04417181	1	bush L = 32.7
60	04417182	1	bush L = 32.8
70	0.010.2849.1	1	roller cage
80	0.900.1380.6	1	gear
90	0.900.0881.7	1	lock synchronizer
100	0.900.0071.0	1	gear
120	0.010.3759.0	1	roller bearing
130	04415697	1	roller bearing
140	02965988	1	shim mm 2.40
140	04334537	1	shim mm 2.60
140	04334538	1	shim mm 2.55
140	04334539	1	shim mm 2.50
140	04334540	1	shim mm 2.45
140	04334541	1	shim mm 2.35
140	04334542	1	shim mm 2.30
140	04334543	1	shim mm 2.25
140	04334544	1	shim mm 2.20
140	04334545	1	shim mm 2.15
140	04334546	1	shim mm 2.10
140	04334547	1	shim mm 2.05
140	04334548	1	shim mm 2.00
140	04334549	1	shim mm 1.95
140	04334550	1	shim mm 1.90
140	04334551	1	shim mm 1.85
140	04334552	1	shim mm 1.80
140	04334553	1	shim mm 1.75
140	04334554	1	shim mm 1.70
140	04433184	1	shim mm 1.65
140	04433185	1	shim mm 1.60
140	04436332	1	shim mm 1.725
140	04436333	1	shim mm 1.775
140	04436334	1	shim mm 1.875
140	04436335	1	shim mm 1.925
140	04436336	1	shim mm 1.975
160	04415760	1	cover



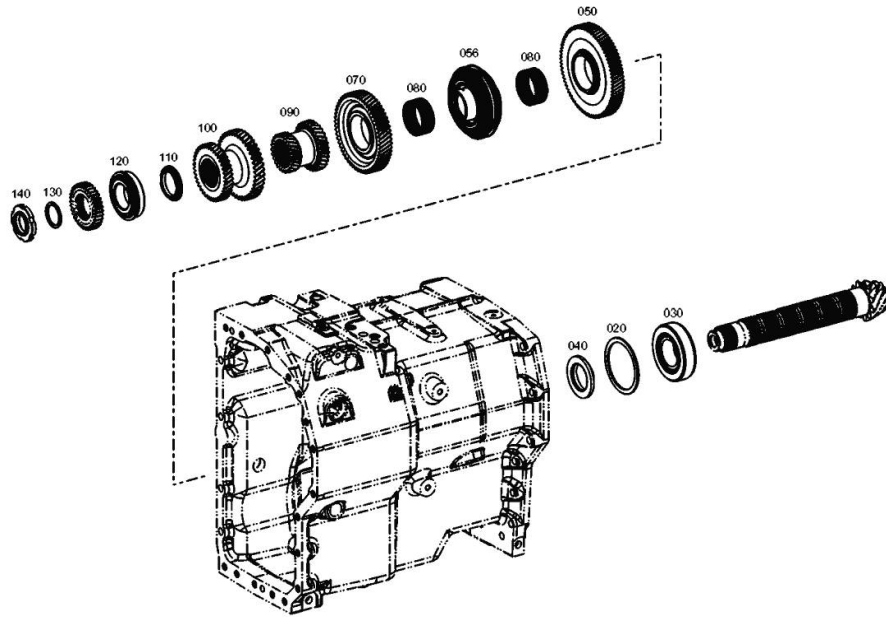
LAYSHAFT - 2093 011 024

Fig.	P/n	QTY	Name
170	04415761	1	ring 35x2
180	0.010.2616.1	3	screw m 10x32



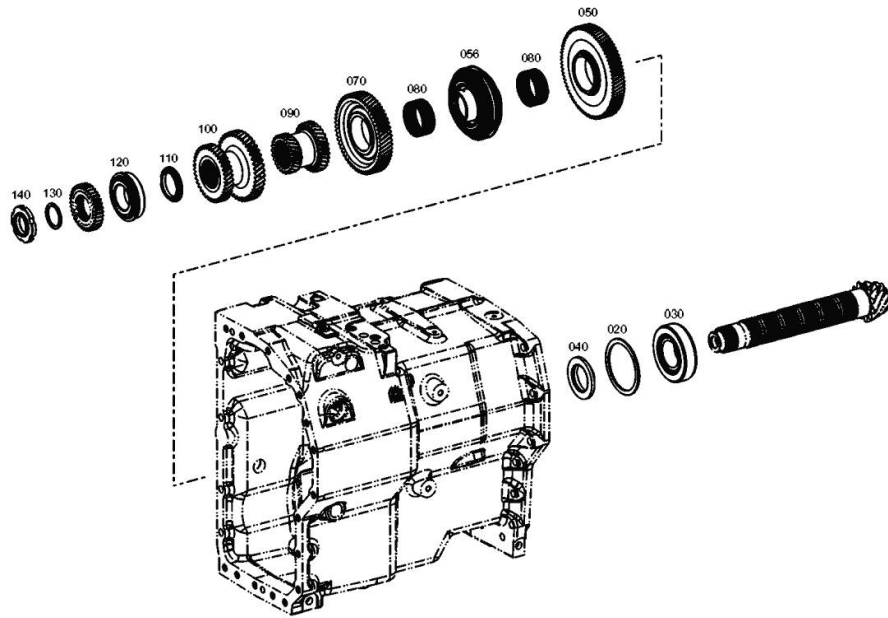
MAIN SHAFT - 2093 011 024

Fig.	P/n	QTY	Name
20	0.010.2849.2	1	shim s = 3.75
20	0.010.2850.0	1	shim s = 3.70
20	0.010.2850.1	1	shim s = 3.65
20	0.010.2850.2	1	shim s = 3.60
20	0.010.2851.0	1	shim s = 3.55
20	0.010.2851.1	1	shim s = 3.50
20	0.010.2851.2	1	shim s = 3.45
20	0.010.2852.0	1	shim s = 3.40
20	0.010.2852.2	1	shim s = 3.77
20	0.900.1459.7	1	shim s = 3.2
20	0.900.1459.8	1	shim s = 3.25
20	0.900.1459.9	1	shim s = 3.3
20	0.900.1460.0	1	shim s = 3.35
20	0.900.1460.1	1	shim s = 3.56
20	0.900.1460.2	1	shim s = 3.57
20	0.900.1460.6	1	shim s = 3.62
20	0.900.1461.0	1	shim s = 3.67
20	0.900.1461.4	1	shim s = 3.72
20	04417170	1	shim s = 3.95
20	04417171	1	shim s = 3.9
20	04417172	1	shim s = 3.85
20	04417173	1	shim s = 3.8
20	04417174	1	shim s = 4.0
20	04417175	1	shim s = 4.05
20	04417176	1	shim s = 4.10
30	0.900.0882.5	1	roller bearing
40	0.900.1459.6	1	slewing ring Z = 46
50	0.900.1381.1	1	gear Z = 75
56	0.010.3840.2	1	lock synchronizer
70	0.900.1380.9	1	gear z = 57
80	04427570	2	roller cage
90	0.900.1381.2	1	gear Z = 31
100	0.900.1381.0	1	gear z=39/41
110	0.010.2858.0	1	shim s = 10.25
110	0.010.2858.1	1	shim s = 10.45
110	0.010.2858.2	1	shim s = 10.50
110	0.010.2859.0	1	shim s = 10.55
110	0.010.2859.1	1	shim s = 10.60
110	04417159	1	shim s = 10.4
110	04417160	1	shim s = 10.3
110	04417161	1	shim s = 10.2
110	04417162	1	shim s = 10.1
110	04417163	1	shim s = 10.0
110	04417164	1	shim s = 9.9



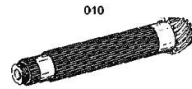
MAIN SHAFT - 2093 011 024

Fig.	P/n	QTY	Name
110	04417165	1	shim s = 9.8
110	04417166	1	shim s = 9.7
110	04417167	1	shim s = 9.6
110	04424444	1	shim s = 9.85
110	04424445	1	shim s = 9.95
110	04424446	1	shim s = 10.05
110	04424447	1	shim s = 10.15
110	04435222	1	shim s = 10.35
120	04416082	1	roller bearing
130	0.010.2859.2	1	shim s = 3.75
130	0.010.2860.0	1	shim s = 3.80
130	0.010.2860.1	1	shim s = 3.85
130	0.010.2860.2	1	shim s = 3.90
130	0.010.2861.0	1	shim s = 3.95
130	0.010.2861.1	1	shim s = 4.00
130	0.900.1462.0	1	shim s = 2.70
130	0.900.1462.1	1	shim s = 2.8
130	04417146	1	shim s = 3.4
130	04417147	1	shim s = 3.35
130	04417148	1	shim s = 3.3
130	04417149	1	shim s = 3.25
130	04417150	1	shim s = 3.2
130	04417151	1	shim s = 3.15
130	04417152	1	shim s = 3.1
130	04417153	1	shim s = 3.45
130	04417154	1	shim s = 3.50
130	04417155	1	shim s = 3.55
130	04417156	1	shim s = 3.60
130	04417157	1	shim s = 3.65
130	04417158	1	shim s = 3.70
130	04424442	1	shim s = 2.90
130	04424443	1	shim s = 3.00
140	04415763	1	ring nut



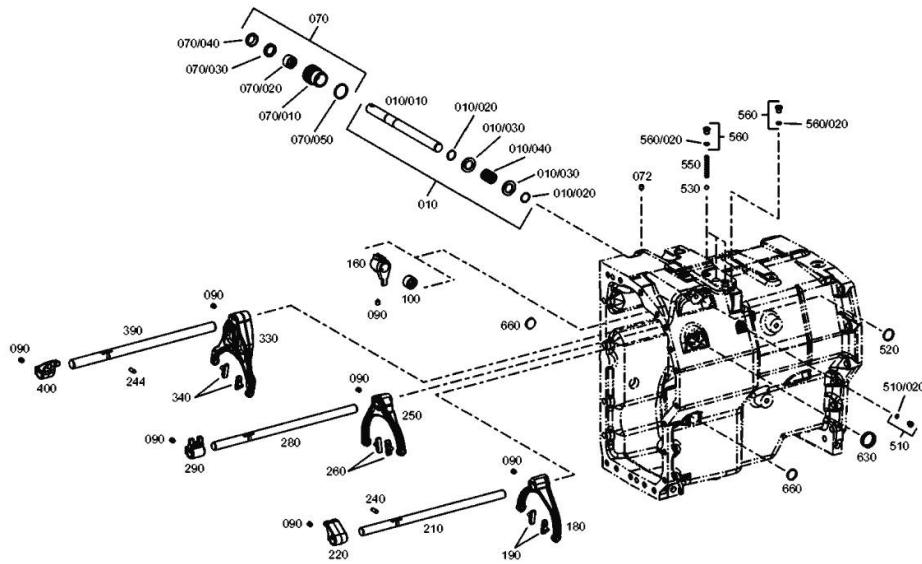
MAIN SHAFT - 2093 011 024

Fig.	P/n	QTY	Name
10	0.900.1385.7	1	shaft



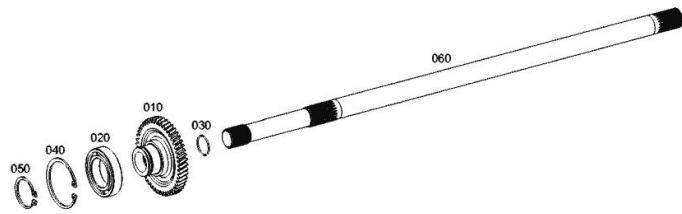
DRIVE - 2093 011 024

Fig.	P/n	QTY	Name
10	0.010.2861.2	1	rod
10.10	04423794	1	rod
10.20	04415766	2	circlip
10.30	04427574	2	washer
10.40	04416140	1	spring
70	0.010.2862.0	1	bushing
70.10	04415769	1	bush
70.20	04415772	1	bearing
70.30	04415773	1	oil seal 25x35x7
70.40	04415774	1	oil seal AS 25x35x7x10
70.50	04416048	1	oil seal 37x3
72	01272647	1	stud bolt L = 13.7
90	01272647	14	stud bolt L = 13.7
100	04415772	1	bearing
160	0.010.3795.2	1	control
180	0.900.0802.4	1	fork
190	04415779	2	shoe
210	0.900.0488.4	1	rod
220	04415781	1	driver
240	04415782	1	pin
244	04415783	1	pin
250	0.900.0802.2	1	fork 3/4
260	04415779	2	shoe
280	0.900.0121.7	1	rod
290	04424424	1	driver A = 4.5
330	0.900.0884.1	1	fork
340	04415779	2	shoe
390	04423250	1	rod
400	04415791	1	driver
510	0.900.1381.4	1	plug
510.20	04415683	1	oil seal 8x1.5
520	04433214	1	cover 32
530	04309268	3	ball
550	0.010.2907.1	3	spring
560	04433215	4	plug
560.20	04415796	1	oil seal 9.5x2
630	01122153	1	cover 42
660	0.010.2863.0	2	cover 30



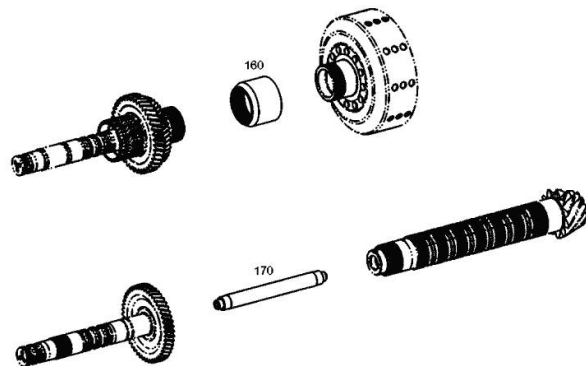
P.T.O. - POWER TAKE OFF - 2093 011 024

Fig.	P/n	QTY	Name
10	0.900.0884.3	1	gear Z = 49
20	04415799	1	ball bearing
30	0.010.2863.1	1	circlip 30
40	0.010.2618.0	1	circlip 75x2.5
50	0.010.2863.2	1	circlip 45x2.5
60	0.900.1432.1	1	shaft z= 22



REDUCTION GEAR UNIT - 2093 011 024

Fig.	P/n	QTY	Name
160	04416816	1	bushing
170	04416817	1	tube





Suggest:

For more complete manuals. Please go to the home page.

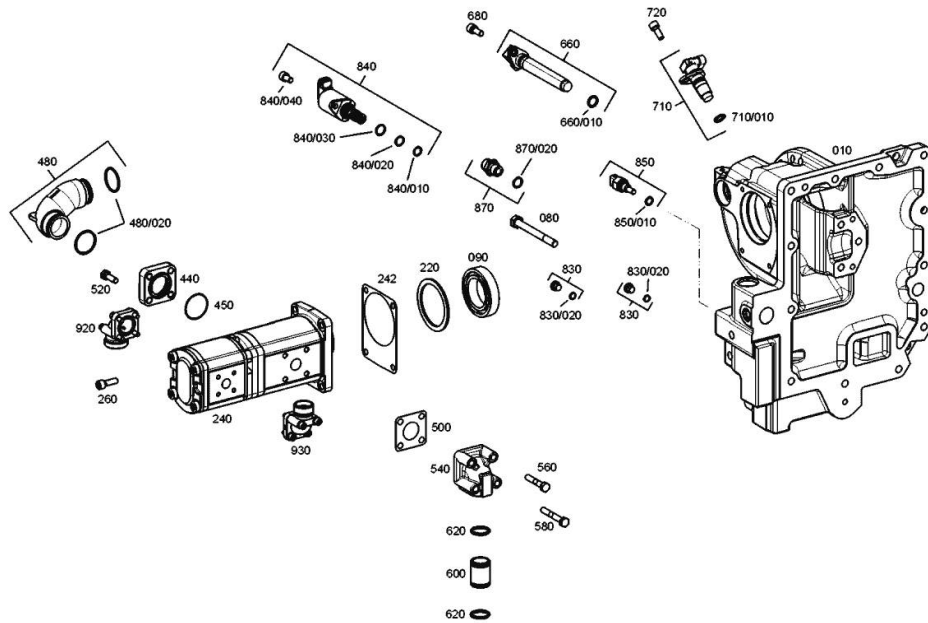
<https://www.ebooklibonline.com>

If the above button click is invalid. Please download this document first, and then click the above link to download the complete manual.

Thank you so much for reading

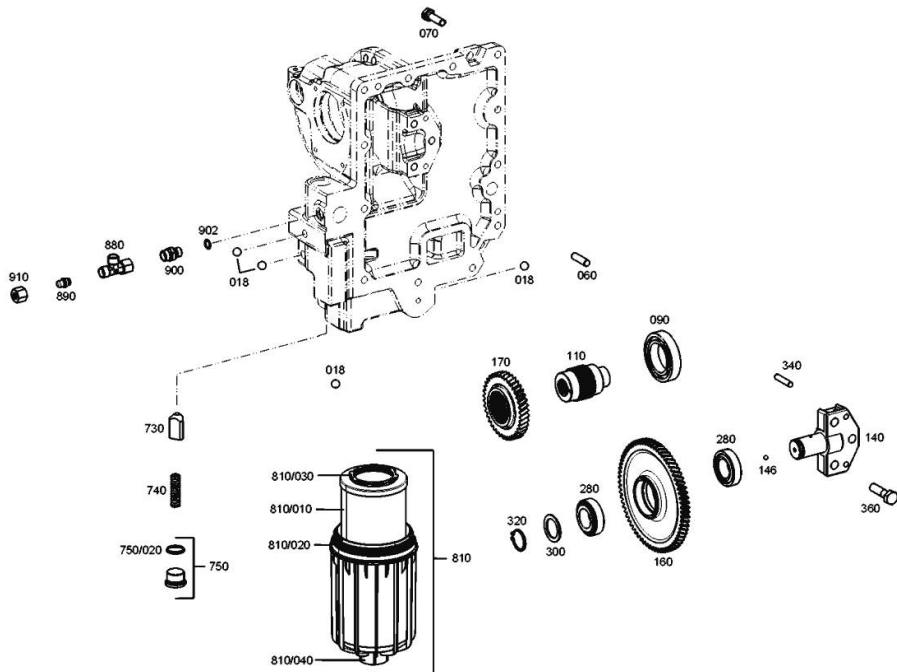
PUMP DRIVE - 2093 011 024

Fig.	P/n	QTY	Name
10	0.900.2053.3	1	box
80	0.010.2872.0	1	screw m 10 x 100
90	04415834	1	ball bearing
220	04417130	1	washer mm 3.00
240	0.900.2045.2	1	pump
242	04415921	1	gasket
260	01110576	4	screw
440	0.900.0051.2	1	flange
450	0.900.0051.3	1	oil seal
480	0.900.0051.4	1	manifold
480.20	0.010.3728.0	2	oil seal 33x2.5
500	04415827	1	gasket
520	04434498	4	screw m 8 x 25
540	04415836	1	manifold
560	04434549	2	screw m 8 x 45
580	0.010.3782.2	2	screw m 8 x 55
600	0.900.2050.3	1	tube
620	04415838	2	ring 23X2.5
660	04438436	1	speed sensor L = 125,1mm
660.10	04417747	1	oil seal 15.54x2.62
680	04434551	1	screw m 8 p.1.25 x 20
710	0.010.2874.2	1	speed sensor
710.10	04417747	1	oil seal 15.54x2.62
720	04434551	1	screw m 8 p.1.25 x 20
830	0.900.2136.4	2	plug
830.20	04415683	1	oil seal 8x1.5
840	0.900.0952.8	1	solenoid valve DV
840.10	0.900.1377.6	1	gasket 13 x 1.5
840.20	0.900.1377.5	1	gasket 12,4 x 1,78
840.30	0.900.1377.7	1	gasket 14x1.78
840.40	0.900.1377.8	1	screw m 8 x 16
850	0.900.0800.6	1	temperature gauge
850.10	0.900.0801.6	1	ring 11x2 ZFN 744 FPM-80-10
870	0.900.1381.5	1	vent
870.20	02315162	1	oil seal 13x2
920	0.900.1459.5	1	flange
930	0.900.1466.2	1	flange



PUMP DRIVE - 2093 011 024

Fig.	P/n	QTY	Name
18	04415830	4	ball 12 mm
60	04415833	2	cylindrical plug 10 m 6x35
70	04434540	11	screw m 10 x 35
90	04415834	1	ball bearing
110	0.900.0488.6	1	bush z=38
140	04415918	1	bearing block
146	04415919	1	ball
160	0.900.0884.6	1	gear z=71
170	0.900.0884.7	1	gear z=39
280	04415821	2	ball bearing
300	04416775	1	shim mm 2.50
300	04416776	1	shim mm 2.00
300	04416777	1	shim mm 2.40
300	04416778	1	shim mm 2.50
300	04417056	1	shim mm 2.10
300	04417115	1	shim mm 2.05
300	04417117	1	shim mm 2.15
300	04417118	1	shim mm 2.20
300	04417119	1	shim mm 2.25
300	04417120	1	shim mm 2.30
300	04417121	1	shim mm 2.35
300	04417123	1	shim mm 2.45
300	04417126	1	shim mm 1.85
300	04417127	1	shim mm 1.90
300	04417128	1	shim mm 1.95
320	0.010.2621.1	1	circlip 30x2
340	04415823	2	screw 8 m 6x36
360	04431795	3	screw
730	0.900.0489.2	1	cone
740	04415955	1	spring
750	04434341	1	plug
750.20	04436328	1	oil seal 23x2
810	0.900.0119.6	1	oil filter ☞ 0.900.0119.6
810.10	0.900.0374.4	1	hydr.oil filter elem.
810.20	0.900.0379.1	1	gasket
810.30	0.900.0466.4	1	oil seal
810.40	0.900.0466.5	1	plug
880	0.900.2123.7	1	pipe fitting
890	0.900.1638.1	1	plug
900	0.900.0282.2	1	pipe union
902	0.010.2627.1	1	oil seal 11x2
910	04417784	1	nut



<https://www.ebooklibonline.com>

Hello dear friend!

Thank you very much for reading.

Enter the link into your browser.

The full manual is available for immediate download.

<https://www.ebooklibonline.com>