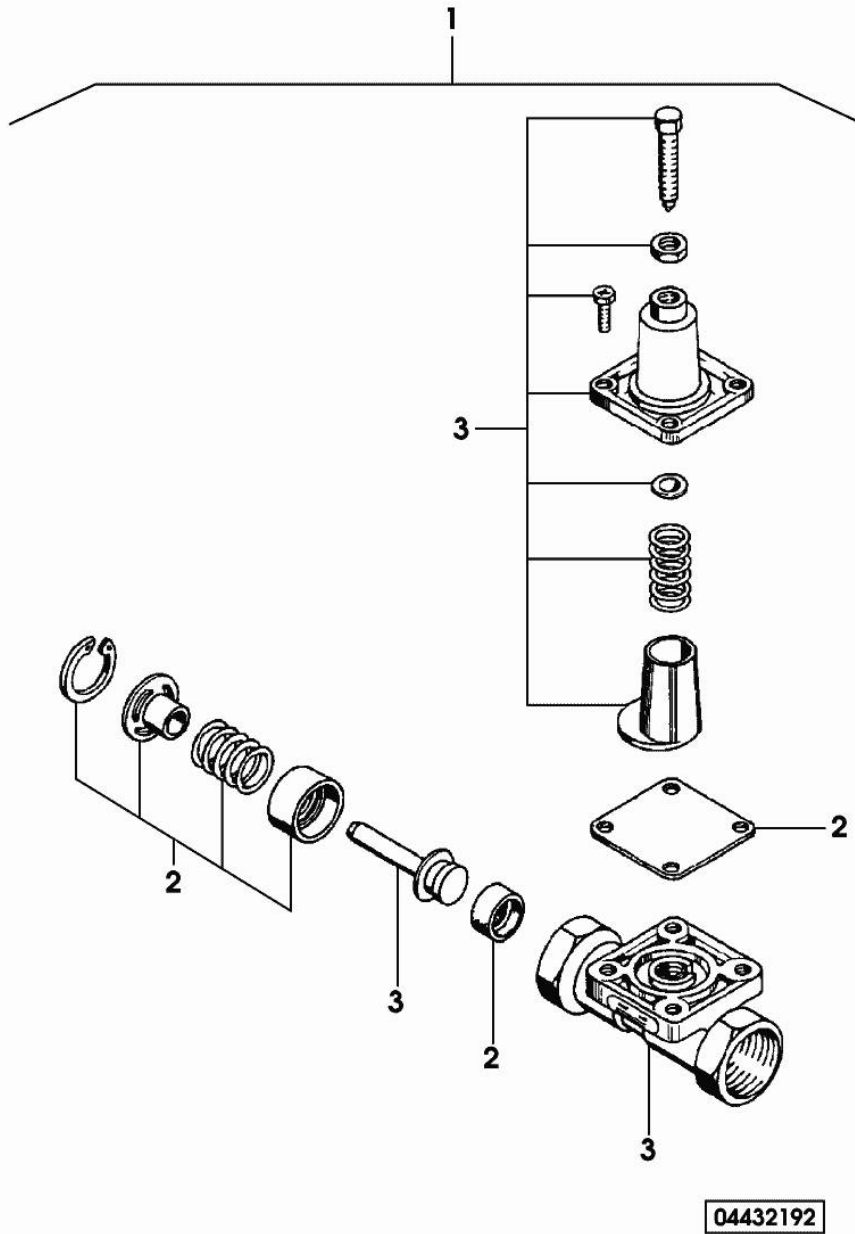


PRESSURE CONTROL VALVE

| Fig. | P/n | QTY | Name |
|------|--------------|-----|--------------------|
| 1 | 04432192 | 1 | valve |
| 2 | 0.900.0460.1 | 1 | spare parts kit |
| 3 | 0.000.0000.1 | | cannot be supplied |

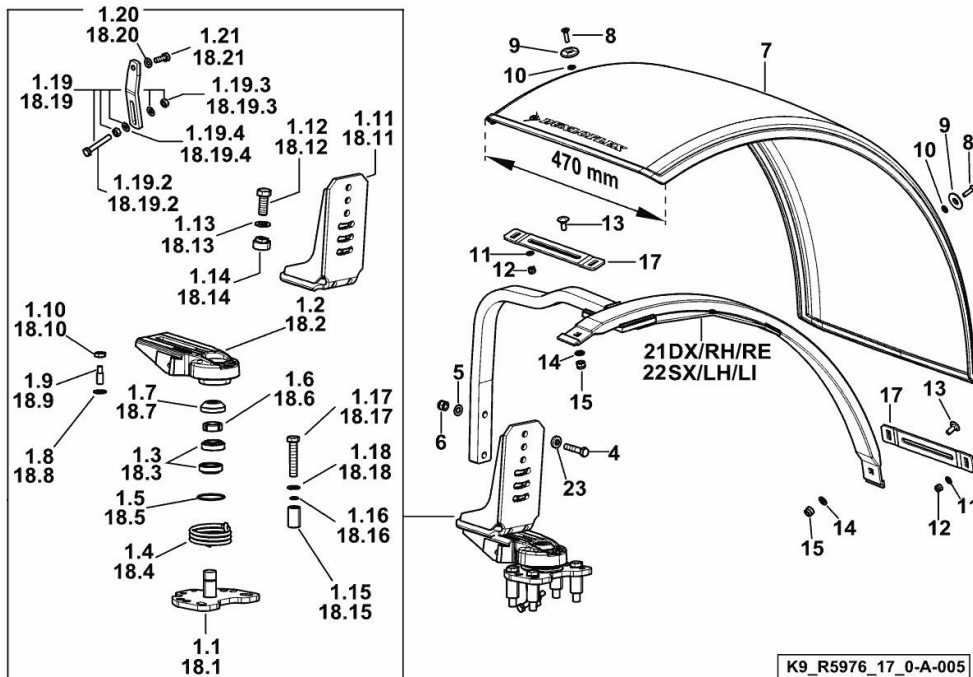


SELF-ADJUSTING FRONT FENDERS mm 470

| Fig. | P/n | QTY | Name |
|------|-----|-----|------|
|------|-----|-----|------|

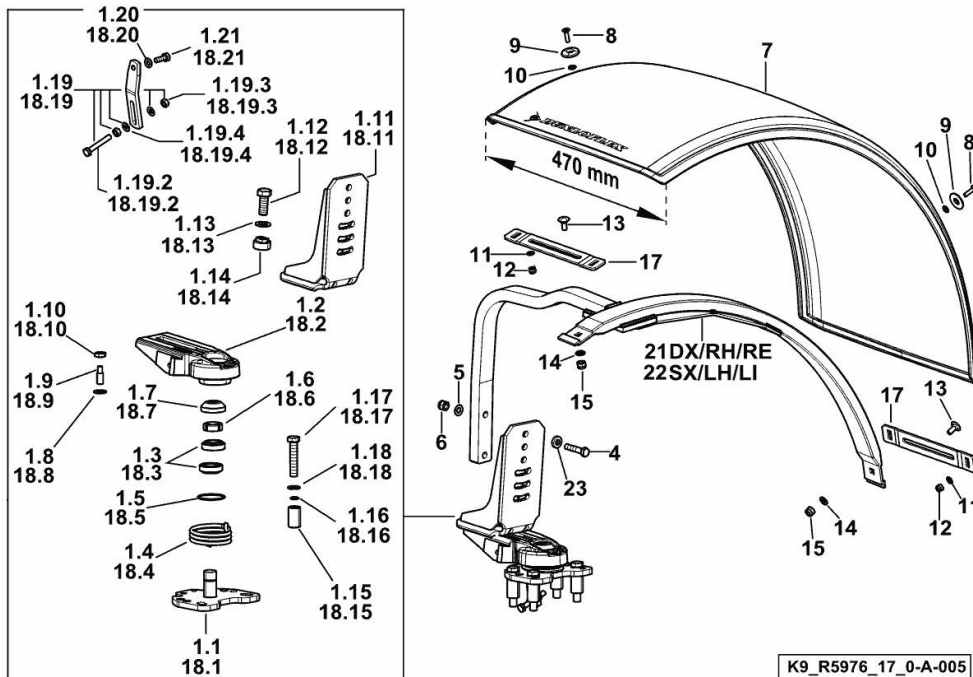
Notes:

- FOR STEERING FRONT MUDGUARDS [Fortis 180 Infinity ->WSXU320200LS50010]



| | | | |
|--------|-----------------|----|------------------------------|
| 1.1 | 0.018.7702.3 | 1 | support |
| 1.2 | 0.014.4436.0/10 | 1 | hub |
| 1.3 | 2.2999.516.0 | 2 | bearing |
| 1.4 | 2.4099.142.2 | 1 | spring dx/rh/re |
| 1.5 | 2.1530.125.0 | 1 | oil seal 50.47x2.62 |
| 1.6 | 2.1219.073.2 | 1 | ring nut |
| 1.7 | 0.018.2881.0 | 1 | cover |
| 1.8 | 2.0599.113.2 | 1 | grub screw m 14 p.1.5 |
| 1.9 | 2.1475.005.2 | 1 | washer 14 |
| 1.10 | 2.1011.508.2 | 1 | nut m 14 p.1.5 |
| 1.11 | 0.018.2880.2 | 1 | support |
| 1.12 | 2.0123.715.2 | 1 | screw m 18 p.1.5x40 |
| 1.13 | 0.018.7705.0 | 1 | bush m18x1,5 |
| 1.14 | 2.1310.011.2 | 1 | flat washer 19x34 |
| 1.15 | 2.1549.697.2 | 4 | spacer 19x27x45 |
| 1.16 | 2.1530.033.0 | 4 | oil seal 13.10x2.62 |
| 1.17 | 2.0112.625.2 | 4 | screw m 16 p.2x80 |
| 1.18 | 2.1310.010.2 | 4 | flat washer 17x30 |
| 1.19 | 0.018.6859.3 | 1 | stop |
| 1.19.2 | 2.0114.321.2 | 1 | screw m 10 p.1.5x70 |
| 1.19.3 | 2.1011.106.2 | 2 | nut m 10 p.1.5 |
| 1.19.4 | 2.1475.103.2 | 2 | washer 10.5 |
| 1.20 | 2.0122.361.2 | 1 | screw m 10 p 1.25 x 30 |
| 1.21 | 2.1310.006.2 | 1 | flat washer 10.5x21 |
| 4 | 2.0112.420.2 | 4 | screw m 12 p.1.75x55 |
| 5 | 2.1011.107.2 | 8 | nut m 12 p.1.75 |
| 6 | 2.1120.007.2 | 4 | self-locking nut m 12 p.1.75 |
| 7 | 0.020.5209.0 | 2 | fender mm 470 |
| 8 | 2.0349.004.0 | 8 | screw m 8 p.1.25 x 30 |
| 9 | 2.1399.020.0/10 | 8 | washer |
| 10 | 2.1310.004.2 | 10 | flat washer 8.4x17 |
| 11 | 2.1475.002.2 | 8 | conical washer 8 |
| 12 | 2.1120.005.2 | 8 | nut m 8 p.1.25 |
| 13 | 2.0020.306.2 | 4 | screw m 10 x 25 |
| 14 | 2.1475.003.2 | 4 | washer 10 |
| 15 | 2.1120.006.2 | 4 | nut m 10 p.1.5 |
| 17 | 0.019.4607.0 | 4 | plate |
| 18.1 | 0.018.7702.3 | 1 | support |
| 18.2 | 0.014.4436.0/10 | 1 | hub |
| 18.3 | 2.2999.516.0 | 2 | bearing |
| 18.4 | 2.4099.143.2 | 1 | spring sx/lh/li |

SELF-ADJUSTING FRONT FENDERS mm 470



| Fig. | P/n | QTY | Name |
|---------|-----------------|-----|------------------------|
| 18.5 | 2.1530.125.0 | 1 | oil seal 50.47x2.62 |
| 18.6 | 2.1219.073.2 | 1 | ring nut |
| 18.7 | 0.018.2881.0 | 1 | cover |
| 18.8 | 2.0599.113.2 | 1 | grub screw m 14 p.1.5 |
| 18.9 | 2.1475.005.2 | 1 | washer 14 |
| 18.10 | 2.1011.508.2 | 1 | nut m 14 p.1.5 |
| 18.11 | 0.018.2880.2 | 1 | support |
| 18.12 | 2.0123.715.2 | 1 | screw m 18 p.1.5x40 |
| 18.13 | 0.018.7705.0 | 1 | bush m18x1,5 |
| 18.14 | 2.1310.011.2 | 1 | flat washer 19x34 |
| 18.15 | 2.1549.697.2 | 4 | spacer 19x27x45 |
| 18.16 | 2.1530.033.0 | 4 | oil seal 13.10x2.62 |
| 18.17 | 2.0112.625.2 | 4 | screw m 16 p.2x80 |
| 18.18 | 2.1310.010.2 | 4 | flat washer 17x30 |
| 18.19 | 0.018.6859.3 | 1 | stop |
| 18.19.2 | 2.0114.321.2 | 1 | screw m 10 p.1.5x70 |
| 18.19.3 | 2.1011.106.2 | 2 | nut m 10 p.1.5 |
| 18.19.4 | 2.1475.103.2 | 2 | washer 10.5 |
| 18.20 | 2.0122.361.2 | 1 | screw m 10 p.1.25 x 30 |
| 18.21 | 2.1310.006.2 | 1 | flat washer 10.5x21 |
| 21 | 0.019.2719.3/10 | 1 | support dx/rh/re |
| 22 | 0.019.2720.3/10 | 1 | support sx/lh/li |
| 23 | 01174738 | 4 | flat washer 12.5x26x6 |

<https://www.ebooklibonline.com>

Hello dear friend!

Thank you very much for reading.

Enter the link into your browser.

The full manual is available for immediate download.

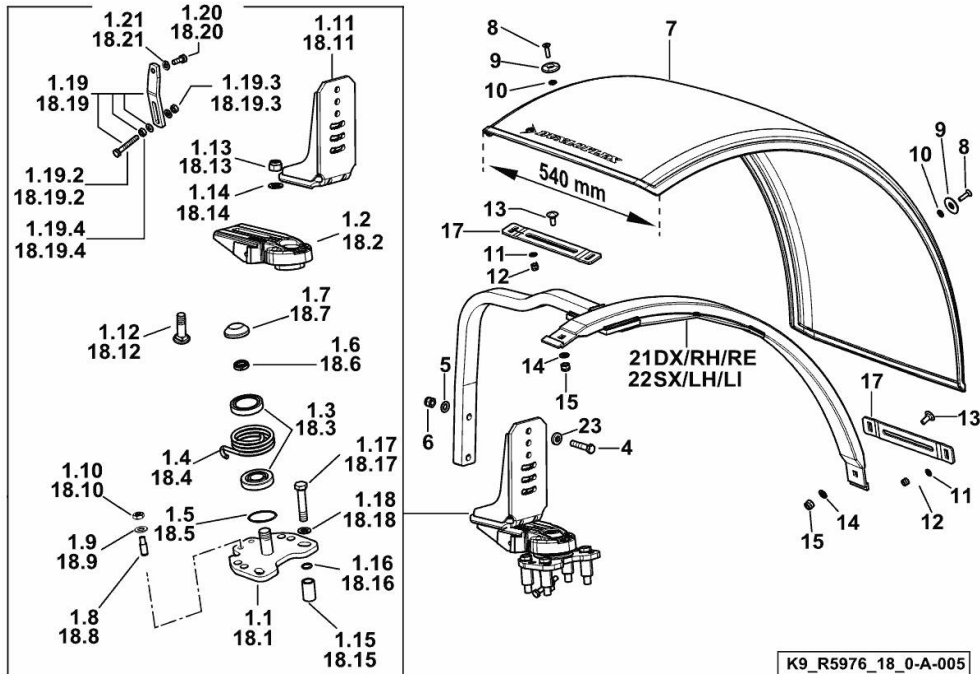
<https://www.ebooklibonline.com>

SELF-ADJUSTING FRONT FENDERS mm 540

| Fig. | P/n | QTY | Name |
|------|-----|-----|------|
|------|-----|-----|------|

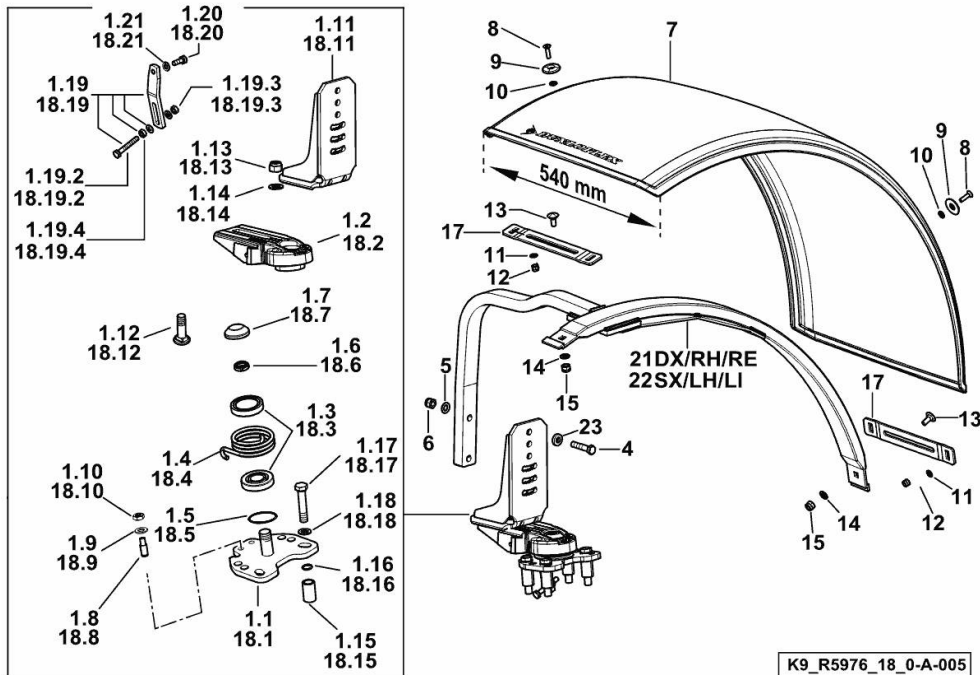
Notes:

- FOR STEERING FRONT MUDGUARDS [Fortis 180 Infinity ->WSXU320200LS50010]



| | | | |
|--------|-----------------|----|------------------------|
| 1.1 | 0.018.7702.3 | 1 | support |
| 1.2 | 0.014.4436.0/10 | 1 | hub |
| 1.3 | 2.2999.516.0 | 2 | bearing |
| 1.4 | 2.4099.142.2 | 1 | spring dx/rh/re |
| 1.5 | 2.1530.125.0 | 1 | oil seal 50.47x2.62 |
| 1.6 | 2.1219.073.2 | 1 | ring nut |
| 1.7 | 0.018.2881.0 | 1 | cover |
| 1.8 | 2.0599.113.2 | 1 | grub screw m 14 p.1.5 |
| 1.9 | 2.1475.005.2 | 1 | washer 14 |
| 1.10 | 2.1011.508.2 | 1 | nut m 14 p.1.5 |
| 1.11 | 0.018.2880.2 | 1 | support |
| 1.12 | 2.0123.715.2 | 1 | screw m 18 p.1.5x40 |
| 1.13 | 0.018.7705.0 | 1 | bush m18x1,5 |
| 1.14 | 2.1310.011.2 | 1 | flat washer 19x34 |
| 1.15 | 2.1549.697.2 | 4 | spacer 19x27x45 |
| 1.16 | 2.1530.033.0 | 4 | oil seal 13.10x2.62 |
| 1.17 | 2.0112.625.2 | 4 | screw m 16 p.2x80 |
| 1.18 | 2.1310.010.2 | 4 | flat washer 17x30 |
| 1.19 | 0.018.6859.3 | 1 | stop |
| 1.19.2 | 2.0114.321.2 | 1 | screw m 10 p.1.5x70 |
| 1.19.3 | 2.1011.106.2 | 2 | nut m 10 p.1.5 |
| 1.19.4 | 2.1475.103.2 | 2 | washer 10.5 |
| 1.20 | 2.0122.361.2 | 1 | screw m 10 p 1.25 x 30 |
| 1.21 | 2.1310.006.2 | 1 | flat washer 10.5x21 |
| 4 | 2.0112.420.2 | 4 | screw m 12 p.1.75x55 |
| 5 | 2.1475.004.2 | 4 | spring washer 12 |
| 6 | 2.1011.107.2 | 4 | nut m 12 p.1.75 |
| 7 | 0.020.5210.0 | 2 | fender mm 540 |
| 8 | 2.0349.004.0 | 8 | screw m 8 p.1.25 x 30 |
| 9 | 2.1399.020.0/10 | 8 | washer |
| 10 | 2.1310.004.2 | 10 | flat washer 8.4x17 |
| 11 | 2.1475.002.2 | 8 | conical washer 8 |
| 12 | 2.1120.005.2 | 8 | nut m 8 p.1.25 |
| 13 | 2.0020.306.2 | 4 | screw m 10 x 25 |
| 14 | 2.1475.003.2 | 4 | washer 10 |
| 15 | 2.1120.006.2 | 4 | nut m 10 p.1.5 |
| 17 | 0.019.4607.0 | 4 | plate |
| 18.1 | 0.018.7702.3 | 1 | support |
| 18.2 | 0.014.4436.0/10 | 1 | hub |
| 18.3 | 2.2999.516.0 | 2 | bearing |
| 18.4 | 2.4099.143.2 | 1 | spring sx/lh/li |

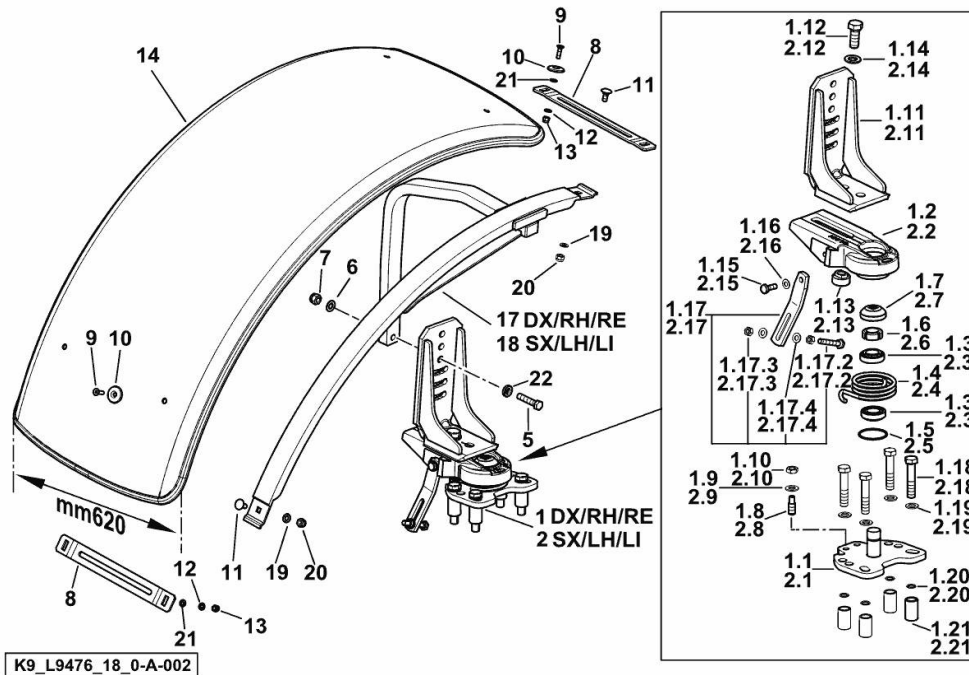
SELF-ADJUSTING FRONT FENDERS mm 540



K9_R5976_18_0-A-005

| Fig. | P/n | QTY | Name |
|---------|-----------------|-----|------------------------|
| 18.5 | 2.1530.125.0 | 1 | oil seal 50.47x2.62 |
| 18.6 | 2.1219.073.2 | 1 | ring nut |
| 18.7 | 0.018.2881.0 | 1 | cover |
| 18.8 | 2.0599.113.2 | 1 | grub screw m 14 p.1.5 |
| 18.9 | 2.1475.005.2 | 1 | washer 14 |
| 18.10 | 2.1011.508.2 | 1 | nut m 14 p.1.5 |
| 18.11 | 0.018.2880.2 | 1 | support |
| 18.12 | 2.0123.715.2 | 1 | screw m 18 p.1.5x40 |
| 18.13 | 0.018.7705.0 | 1 | bush m18x1,5 |
| 18.14 | 2.1310.011.2 | 1 | flat washer 19x34 |
| 18.15 | 2.1549.697.2 | 4 | spacer 19x27x45 |
| 18.16 | 2.1530.033.0 | 4 | oil seal 13.10x2.62 |
| 18.17 | 2.0112.625.2 | 4 | screw m 16 p.2x80 |
| 18.18 | 2.1310.010.2 | 4 | flat washer 17x30 |
| 18.19 | 0.018.6859.3 | 1 | stop |
| 18.19.2 | 2.0114.321.2 | 1 | screw m 10 p.1.5x70 |
| 18.19.3 | 2.1011.106.2 | 2 | nut m 10 p.1.5 |
| 18.19.4 | 2.1475.103.2 | 2 | washer 10.5 |
| 18.20 | 2.0122.361.2 | 1 | screw m 10 p.1.25 x 30 |
| 18.21 | 2.1310.006.2 | 1 | flat washer 10.5x21 |
| 21 | 0.019.2719.3/10 | 1 | support dx/rh/re |
| 22 | 0.019.2720.3/10 | 1 | support sx/lh/li |
| 23 | 01174738 | 4 | flat washer 12.5x26x6 |

SELF-ADJUSTING FRONT FENDERS mm 620



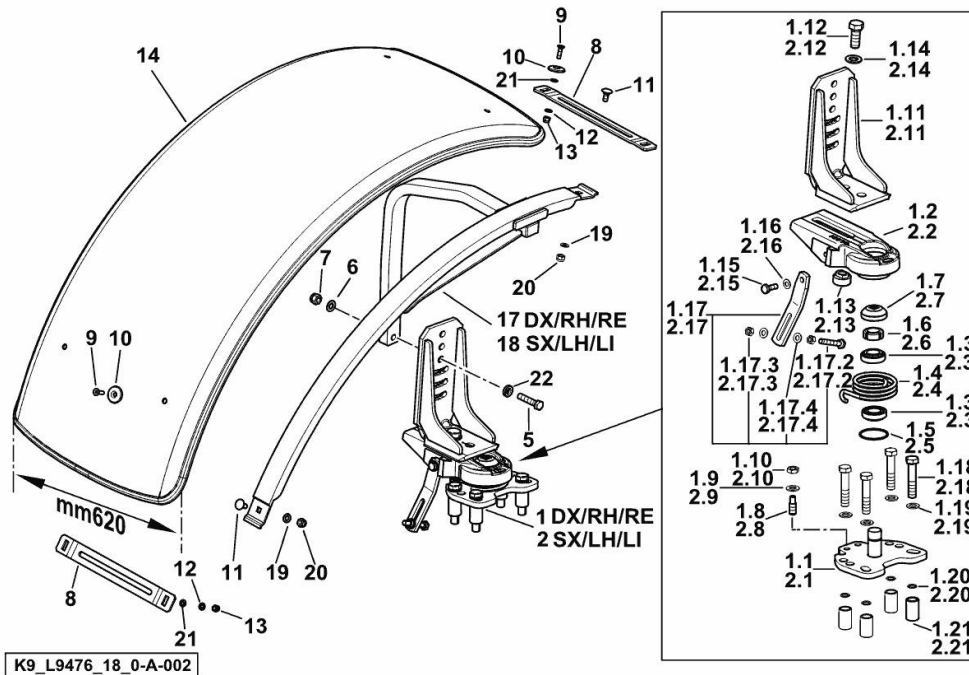
| Fig. | P/n | QTY | Name |
|------|-----|-----|------|
|------|-----|-----|------|

Notes:

- FOR STEERING FRONT MUDGUARDS [Fortis 180 Infinity ->WSXU320200LS50010]

| | | | |
|--------|-----------------|---|------------------------|
| 1 | 0.014.8648.4/50 | 1 | support dx/rh/re |
| 1.1 | 0.018.7702.3 | 1 | support |
| 1.2 | 0.014.4436.0/10 | 1 | hub |
| 1.3 | 2.2999.516.0 | 2 | bearing |
| 1.4 | 2.4099.142.2 | 1 | spring dx/rh/re |
| 1.5 | 2.1530.125.0 | 1 | oil seal 50.47x2.62 |
| 1.6 | 2.1219.073.2 | 1 | ring nut |
| 1.7 | 0.018.2881.0 | 1 | cover |
| 1.8 | 2.0599.113.2 | 1 | grub screw m 14 p.1.5 |
| 1.9 | 2.1475.005.2 | 1 | washer 14 |
| 1.10 | 2.1011.508.2 | 1 | nut m 14 p.1.5 |
| 1.11 | 0.018.2880.2 | 1 | support |
| 1.12 | 2.0123.715.2 | 1 | screw m 18 p.1.5x40 |
| 1.13 | 0.018.7705.0 | 1 | bush m18x1,5 |
| 1.14 | 2.1310.011.2 | 1 | flat washer 19x34 |
| 1.15 | 2.0122.361.2 | 1 | screw m 10 p 1.25 x 30 |
| 1.16 | 2.1310.006.2 | 1 | flat washer 10.5x21 |
| 1.17 | 0.018.6859.3 | 1 | stop |
| 1.17.2 | 2.0114.323.2 | 1 | screw |
| 1.17.3 | 2.1011.106.2 | 2 | nut m 10 p.1.5 |
| 1.17.4 | 2.1475.103.2 | 2 | washer 10.5 |
| 1.18 | 2.0112.625.2 | 4 | screw m 16 p.2x80 |
| 1.19 | 2.1310.010.2 | 4 | flat washer 17x30 |
| 1.20 | 2.1530.033.0 | 4 | oil seal 13.10x2.62 |
| 1.21 | 2.1549.697.2 | 4 | spacer 19x27x45 |
| 2 | 0.014.8651.4/50 | 1 | support sx/lh/li |
| 2.1 | 0.018.7702.3 | 1 | support |
| 2.2 | 0.014.4436.0/10 | 1 | hub |
| 2.3 | 2.2999.516.0 | 2 | bearing |
| 2.4 | 2.4099.143.2 | 1 | spring sx/lh/li |
| 2.5 | 2.1530.125.0 | 1 | oil seal 50.47x2.62 |
| 2.6 | 2.1219.073.2 | 1 | ring nut |
| 2.7 | 0.018.2881.0 | 1 | cover |
| 2.8 | 2.0599.113.2 | 1 | grub screw m 14 p.1.5 |
| 2.9 | 2.1475.005.2 | 1 | washer 14 |
| 2.10 | 2.1011.508.2 | 1 | nut m 14 p.1.5 |
| 2.11 | 0.018.2880.2 | 1 | support |
| 2.12 | 2.0123.715.2 | 1 | screw m 18 p.1.5x40 |
| 2.13 | 0.018.7705.0 | 1 | bush m18x1,5 |
| 2.14 | 2.1310.011.2 | 1 | flat washer 19x34 |
| 2.15 | 2.0122.361.2 | 1 | screw m 10 p 1.25 x 30 |

SELF-ADJUSTING FRONT FENDERS mm 620



| Fig. | P/n | QTY | Name |
|--------|-----------------|-----|------------------------------------|
| 2.16 | 2.1310.006.2 | 1 | flat washer 10.5x21 |
| 2.17 | 0.018.6859.3 | 1 | stop |
| 2.17.2 | 2.0114.323.2 | 1 | screw |
| 2.17.3 | 2.1011.106.2 | 2 | nut m 10 p.1.5 |
| 2.17.4 | 2.1475.103.2 | 2 | washer 10.5 |
| 2.18 | 2.0112.625.2 | 4 | screw m 16 p.2x80 |
| 2.19 | 2.1310.010.2 | 4 | flat washer 17x30 |
| 2.20 | 2.1530.033.0 | 4 | oil seal 13.10x2.62 |
| 2.21 | 2.1549.697.2 | 4 | spacer 19x27x45 |
| 5 | 2.0112.421.2 | 2 | screw m 12 p.1.75 x 60 |
| 6 | 2.1475.004.2 | 4 | spring washer 12 |
| 7 | 2.1120.007.2 | 2 | self-locking nut m 12 p.1.75 |
| 8 | 0.014.7167.0 | 4 | support |
| 9 | 2.0349.004.0 | 8 | screw m 8 p.1.25 x 30 |
| 10 | 2.1399.020.0/10 | 8 | washer |
| 11 | 2.0020.306.2 | 4 | screw m 10 x 25 |
| 12 | 2.1475.002.2 | 8 | conical washer 8 |
| 13 | 2.1120.005.2 | 8 | nut m 8 p.1.25 |
| 14 | 04433326/10 | 2 | fender mm 620 |
| 17 | 0.019.6459.3 | 1 | chassis frame dx/rh/re (-> 50011) |
| 18 | 0.019.6460.3 | 1 | chassis frame sx/lh/li (-> 50011) |
| 19 | 2.1475.003.2 | 4 | washer 10 |
| 20 | 2.1120.006.2 | 4 | nut m 10 p.1.5 |
| 21 | 2.1310.004.2 | 8 | flat washer 8.4x17 |
| 22 | 01174738 | 4 | flat washer 12.5x26x6 |

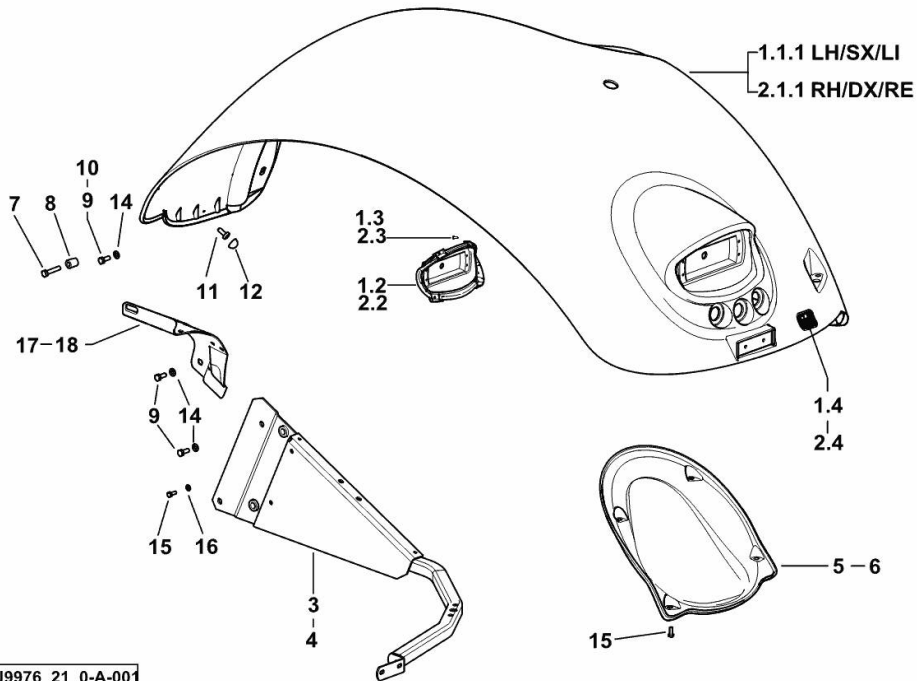
REAR MUDGUARDS

| Fig. | P/n | QTY | Name |
|------|-----|-----|------|
|------|-----|-----|------|

Notes:

- FOR TYPES WITHOUT FENDER EXTENSIONS [Fortis 180 Infinity ->WSXU320200LS50010]

| | | | |
|-------|-----------------|----|-----------------------|
| 1.1.1 | 0.011.8887.2/10 | 1 | fender sx/lh/li |
| 1.2 | 0.012.0203.0 | 1 | support sx/lh/li |
| 1.3 | 2.0350.455.3 | 4 | screw m 4.2 |
| 1.4 | 2.9939.271.0 | 1 | plate |
| 2.1.1 | 0.011.8889.2/10 | 1 | fender dx/rh/re |
| 2.2 | 0.012.0204.0 | 1 | support dx/rh/re |
| 2.3 | 2.0350.455.3 | 4 | screw m 4.2 |
| 2.4 | 2.9939.271.0 | 1 | plate |
| 3 | 0.012.1816.3 | 1 | support sx/lh/li |
| 4 | 0.012.1880.3 | 1 | support dx/rh/re |
| 5 | 0.012.0201.0 | 1 | guard sx/lh/li |
| 6 | 0.012.0202.0 | 1 | guard dx/rh/re |
| 7 | 2.0112.215.2 | 2 | screw m 8 p.1.25 x 40 |
| 8 | 04415539 | 2 | bushing |
| 9 | 2.0112.207.2 | 16 | screw m 8 p 1.25 x 20 |
| 10 | 2.0112.211.2 | 4 | screw m 8 p.1.25 x 30 |
| 11 | 04428727 | 2 | screw |
| 12 | 04419538 | 2 | cap |
| 14 | 2.1310.004.2 | 20 | flat washer 8.4x17 |
| 15 | 2.0112.005.2 | 12 | screw m 6 p.1 x 16 |
| 16 | 2.1310.002.2 | 4 | flat washer 6.4x12.5 |
| 17 | 0.017.1166.0/10 | 1 | front grille sx/lh/li |
| 18 | 0.017.1168.0/10 | 1 | front grille dx/rh/re |



REAR MUDGUARDS

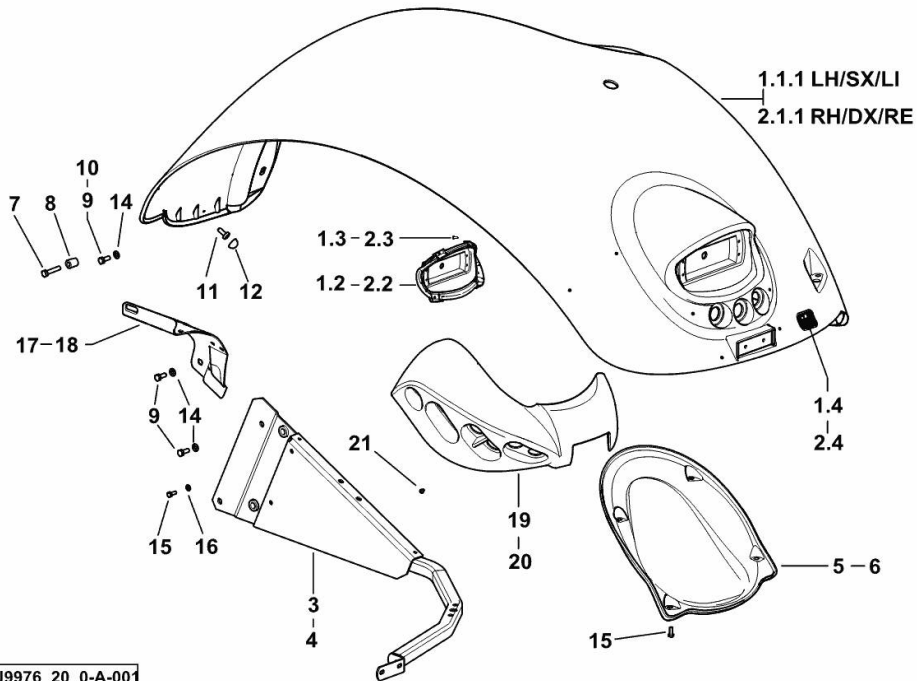
| Fig. | P/n | QTY | Name |
|------|-----|-----|------|
|------|-----|-----|------|

Notes:

- VERSION WITH PUSH-BUTTON PANEL TO GOVERN DIRECTIONAL CONTROL VALVES FROM GROUND

[Fortis 180 Infinity ->WSXU320200LS50010]

| | | | |
|-------|-----------------|----|-----------------------|
| 1.1.1 | 0.011.8887.2/10 | 1 | fender sx/lh/li |
| 1.2 | 0.012.0203.0 | 1 | support sx/lh/li |
| 1.3 | 2.0350.455.3 | 4 | screw m 4.2 |
| 1.4 | 2.9939.271.0 | 1 | plate |
| 2.1.1 | 0.011.8889.2/10 | 1 | fender dx/rh/re |
| 2.2 | 0.012.0204.0 | 1 | support dx/rh/re |
| 2.3 | 2.0350.455.3 | 4 | screw m 4.2 |
| 2.4 | 2.9939.271.0 | 1 | plate |
| 3 | 0.012.1816.3 | 1 | support sx/lh/li |
| 4 | 0.012.1880.3 | 1 | support dx/rh/re |
| 5 | 0.012.0201.0 | 1 | guard sx/lh/li |
| 6 | 0.012.0202.0 | 1 | guard dx/rh/re |
| 7 | 2.0112.215.2 | 2 | screw m 8 p.1.25 x 40 |
| 8 | 04415539 | 2 | bushing |
| 9 | 2.0112.207.2 | 16 | screw m 8 p 1.25 x 20 |
| 10 | 2.0112.211.2 | 4 | screw m 8 p.1.25 x 30 |
| 11 | 04428727 | 2 | screw |
| 12 | 04419538 | 2 | cap |
| 14 | 2.1310.004.2 | 20 | flat washer 8.4x17 |
| 15 | 2.0112.005.2 | 12 | screw m 6 p.1 x 16 |
| 16 | 2.1310.002.2 | 4 | flat washer 6.4x12.5 |
| 17 | 0.017.1166.0/10 | 1 | front grille sx/lh/li |
| 18 | 0.017.1168.0/10 | 1 | front grille dx/rh/re |
| 19 | 0.016.7767.7 | 1 | front grille sx/lh/li |
| 20 | 0.016.7766.7 | 1 | front grille dx/rh/re |
| 21 | 2.0330.203.2 | 12 | screw m 4 x 10 |



K9_J9976_20_0-A-001

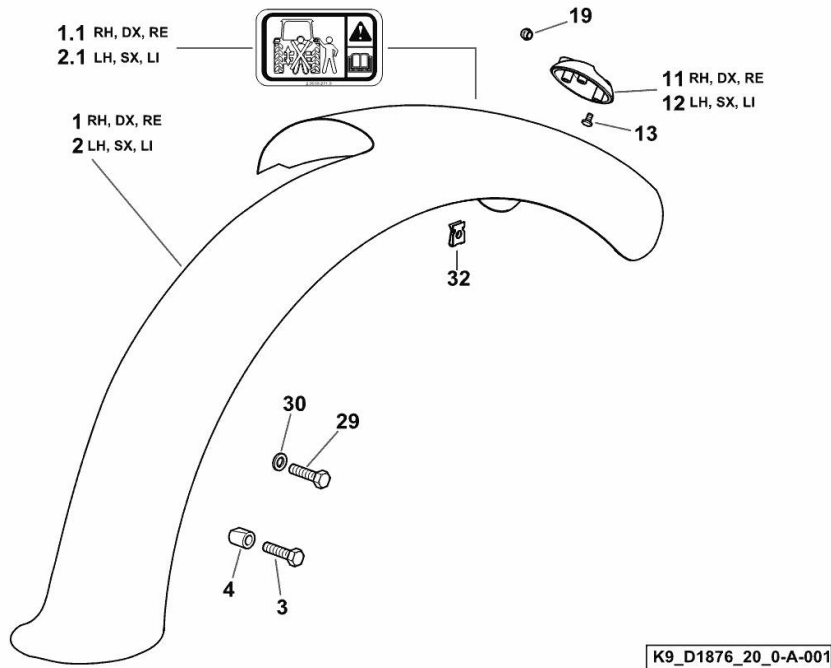
REAR MUDGUARDS

| Fig. | P/n | QTY | Name |
|------|-----|-----|------|
|------|-----|-----|------|

Notes:

- FOR TYPES WITH FENDER EXTENSIONS [Fortis 180 Infinity ->WSXU320200LS50010]

| | | | |
|-----|-----------------|----|-----------------------|
| 1 | 0.016.4864.3/10 | 1 | fender dx/rh/re |
| 1.1 | 2.9939.271.0 | 1 | plate |
| 2 | 0.016.4863.3/10 | 1 | fender sx/lh/li |
| 2.1 | 2.9939.271.0 | 1 | plate |
| 3 | 2.0114.215.2 | 2 | screw m 8 p.1.25 x 40 |
| 4 | 04415539 | 2 | bushing |
| 11 | 04412686 | 1 | half box dx/rh/re |
| 12 | 04412685 | 1 | half box sx/lh/li |
| 13 | 04414188 | 6 | screw |
| 19 | 04413366 | 1 | plug 20.6 |
| 29 | 04426352 | 6 | screw m 8 p.1.25 x 20 |
| 30 | 2.1310.004.2 | 6 | flat washer 8.4x17 |
| 32 | 04413338 | 12 | stop |



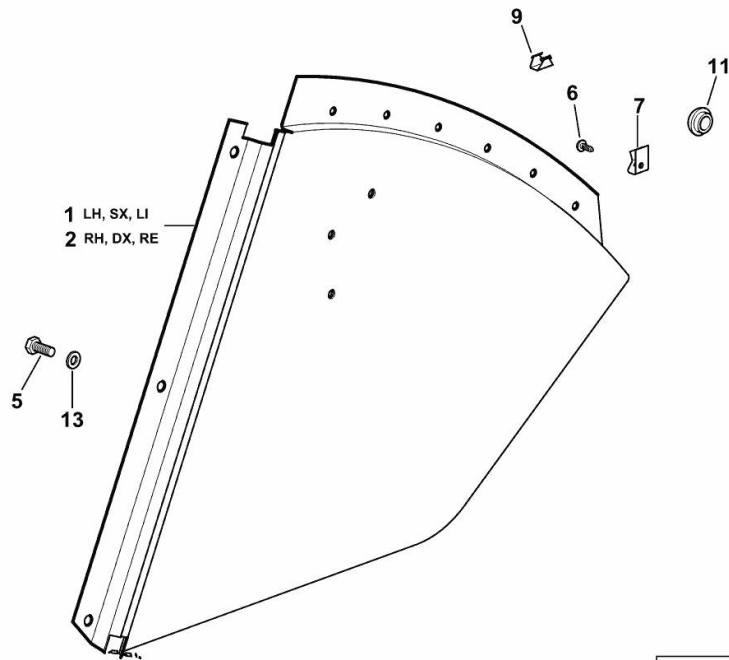
WING SIDE PANEL

| Fig. | P/n | QTY | Name |
|------|-----|-----|------|
|------|-----|-----|------|

Notes:

[Fortis 180 Infinity ->WSXU320200LS50010]

| | | | |
|----|--------------|----|-----------------------|
| 1 | 04436461 | 1 | division sx/lh/li |
| 2 | 04425425/10 | 1 | division dx/rh/re |
| 5 | 04426352 | 6 | screw m 8 p.1.25 x 20 |
| 6 | 04413745 | 12 | screw 4.8x13 |
| 7 | 04413338 | 12 | stop |
| 9 | 04418149/10 | 10 | clip |
| 11 | 0.178.7455.0 | 1 | plug Ø 12 |
| 13 | 2.1310.004.2 | 6 | flat washer 8.4x17 |



K9_95376_50_0-A-001

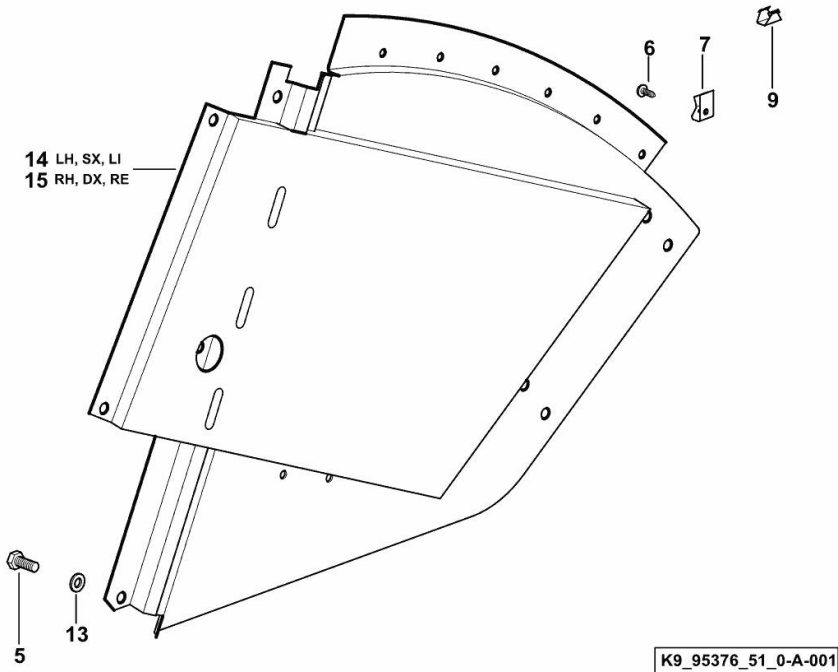
REINFORCED FENDER

| Fig. | P/n | QTY | Name |
|------|-----|-----|------|
|------|-----|-----|------|

Notes:

[Fortis 180 Infinity ->WSXU320200LS50010]

| | | | |
|----|---------------|----|-----------------------|
| 5 | 04426352 | 8 | screw m 8 p.1.25 x 20 |
| 6 | 04413745 | 12 | screw 4.8x13 |
| 7 | 04413338 | 12 | stop |
| 9 | 04418149/10 | 10 | clip |
| 13 | 2.1310.004.2 | 10 | flat washer 8.4x17 |
| 14 | 04429862.4 | 1 | division sx/lh/li |
| 15 | 04429863.4/10 | 1 | division dx/rh/re |



MUDGUARDS EXTENSIONS

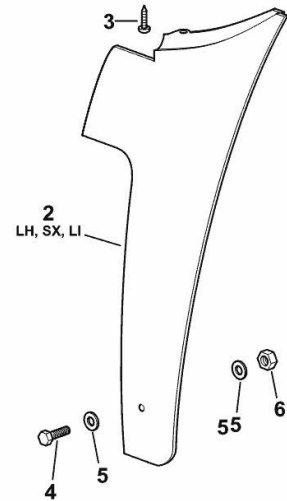
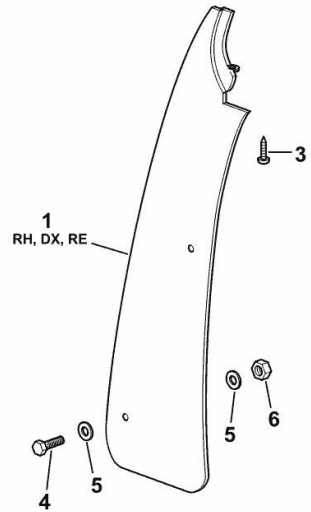
| Fig. | P/n | QTY | Name |
|------|-----|-----|------|
|------|-----|-----|------|

Notes:

[Fortis 180 Infinity ->WSXU320200LS50010]

| | | | |
|---|--------------|---|--------------------|
| 1 | 04412704 | 1 | extension dx/rh/re |
| 2 | 04453446 | 1 | extension sx/lh/li |
| 3 | 04426906 | 6 | screw 4.2x16 |
| 4 | 2.0114.209.2 | 2 | screw m 8 x 25 |
| 5 | 2.1312.004.2 | 4 | washer 8x24x2 |
| 6 | 2.1121.005.2 | 2 | nut m 8 p.1.25 |

K9_D3676_26_0-A-001





Suggest:

For more complete manuals. Please go to the home page.

<https://www.ebooklibonline.com>

If the above button click is invalid. Please download this document first, and then click the above link to download the complete manual.

Thank you so much for reading

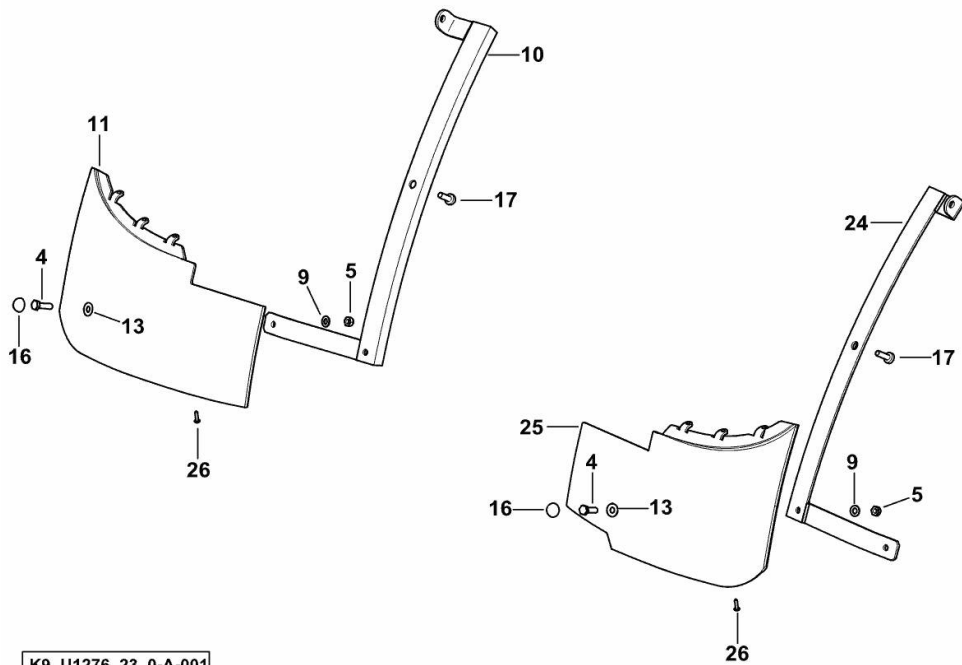
MUDGUARD PROTECTORS

| Fig. | P/n | QTY | Name |
|------|-----|-----|------|
|------|-----|-----|------|

Notes:

- FOR TYPES WITH FENDER EXTENSIONS [Fortis 180 Infinity ->WSXU320200LS50010]

| | | | |
|----|-----------------|---|-----------------------|
| 4 | 2.0112.210.2 | 4 | screw m 8 p.1.25 x 28 |
| 5 | 2.1121.005.2 | 4 | nut m 8 p.1.25 |
| 9 | 2.1310.004.2 | 4 | flat washer 8.4x17 |
| 10 | 0.019.9531.2/10 | 1 | bracket dx/rh/re |
| 11 | 0.019.9528.0 | 1 | extension dx/rh/re |
| 13 | 04419355 | 4 | ring |
| 16 | 04419356 | 4 | cap |
| 17 | 2.0362.308.3 | 2 | screw m 8 x 25 |
| 24 | 0.019.9532.2/10 | 1 | bracket sx/lh/li |
| 25 | 0.019.9527.0 | 1 | extension sx/lh/li |
| 26 | 04426906 | 6 | screw 4.2x16 |



K9_U1276_23_0-A-001

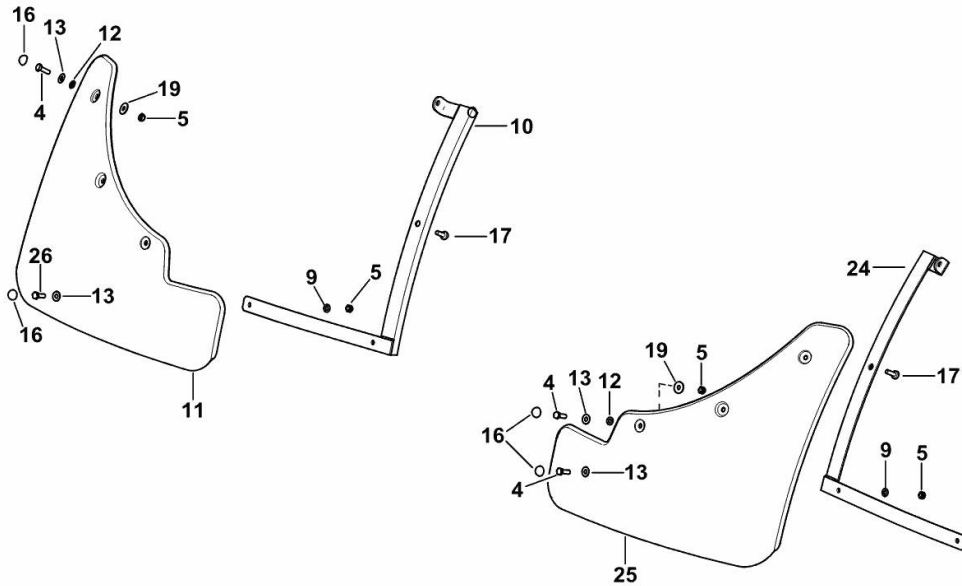
MUDGUARD PROTECTORS

| Fig. | P/n | QTY | Name |
|------|-----|-----|------|
|------|-----|-----|------|

Notes:

- FOR TYPES WITHOUT FENDER EXTENSIONS [Fortis 180 Infinity ->WSXU320200LS50010]

| | | | |
|----|-----------------|----|-----------------------|
| 4 | 2.0112.209.2 | 8 | screw m 8 p 1.25 x 25 |
| 5 | 2.1121.005.2 | 10 | nut m 8 p.1.25 |
| 9 | 2.1310.004.2 | 4 | flat washer 8.4x17 |
| 10 | 0.019.8631.2/10 | 1 | bracket dx/rh/re |
| 11 | 0.018.7444.0 | 1 | extension dx/rh/re |
| 12 | 2.1310.004.3 | 6 | washer 8.4x17 |
| 13 | 04419355 | 10 | ring |
| 16 | 04419356 | 10 | cap |
| 17 | 2.0362.308.3 | 2 | screw m 8 x 25 |
| 19 | 2.1312.004.2 | 6 | washer 8x24x2 |
| 24 | 0.019.8632.2/10 | 1 | bracket sx/lh/li |
| 25 | 0.018.7443.0 | 1 | extension sx/lh/li |
| 26 | 2.0112.207.2 | 2 | screw m 8 p 1.25 x 20 |



K9_U1276_22_0-A-001

<https://www.ebooklibonline.com>

Hello dear friend!

Thank you very much for reading.

Enter the link into your browser.

The full manual is available for immediate download.

<https://www.ebooklibonline.com>