

**COUNTERWEIGHTS**

| Fig. | P/n | QTY | Name |
|------|-----|-----|------|
|------|-----|-----|------|

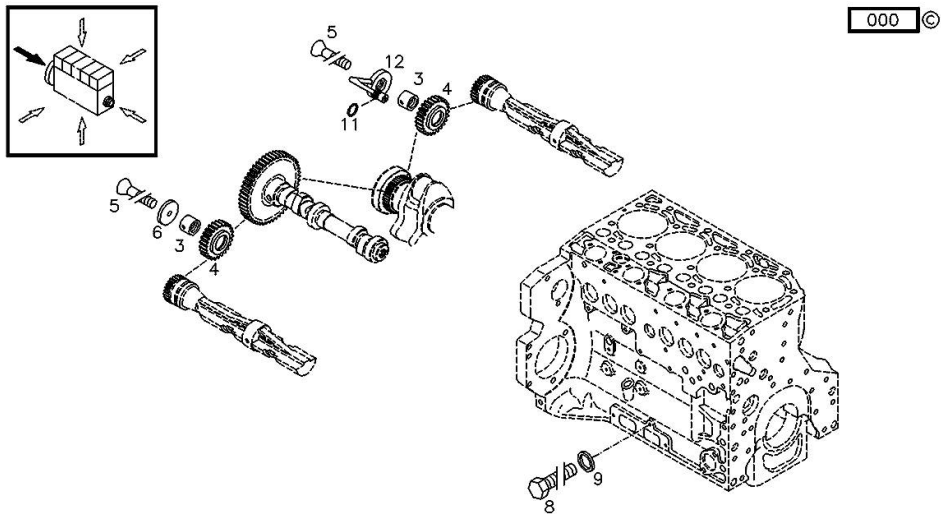
**Notes:**

[Fortis 160.4 -> WSXV400200LS50010]

**Engine serial number:**

22000399 22000509 22000510 22000511

|    |          |   |                                       |
|----|----------|---|---------------------------------------|
| 3  | 04288828 | 2 | journal                               |
| 4  | 04294449 | 2 | gear                                  |
| 5  | 01181673 | 2 | screw                                 |
|    |          |   | H 2091 -7991-M8X45-10.9-GESCHW-MK-1.0 |
| 6  | 04255410 | 1 | ring                                  |
| 8  | 01148220 | 2 | valve                                 |
|    |          |   | ISO 4017 -M8X10-8.8-ZNAL-A            |
| 9  | 01118647 | 2 | oil seal 8x11,5 d7603                 |
|    |          |   | DIN 7603 -A8X11,5-CU                  |
| 11 | 01181582 | 1 | shoulder ring                         |
|    |          |   | H 2927 -7X1,5-ACM-1-70                |
| 12 | 04255412 | 1 | pin                                   |



ACCESSORIES

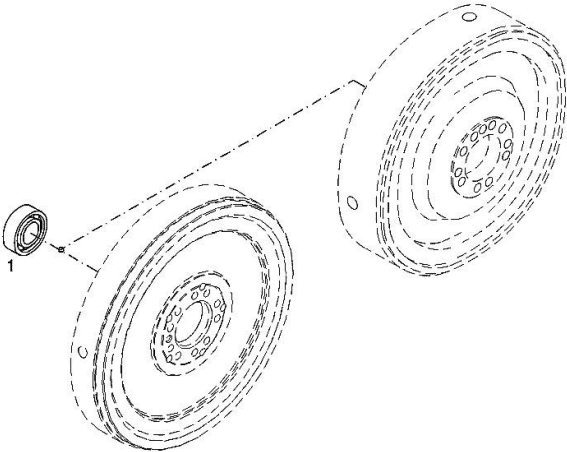
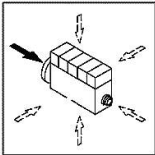
| Fig. | P/n | QTY | Name |
|------|-----|-----|------|
|------|-----|-----|------|

Notes:  
 [Fortis 160.4 -> WSXV400200LS50010]

Engine serial number:  
 22000399 22000509 22000510 22000511

|   |          |   |                                    |
|---|----------|---|------------------------------------|
| 1 | 01136432 | 1 | ball bearing<br>DIN 625 -6304-2RS1 |
|---|----------|---|------------------------------------|

001 ©



Section: B0 - ENGINE  
**MAIN BEARINGS**

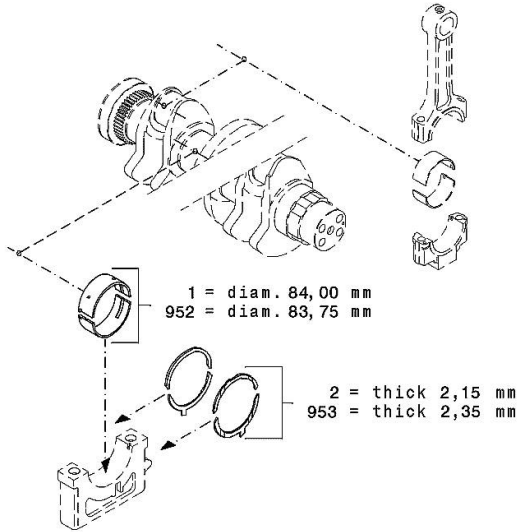
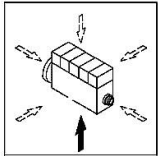
| Fig. | P/n | QTY | Name |
|------|-----|-----|------|
|------|-----|-----|------|

**Notes:**  
 [Fortis 160.4 -> WSXV400200LS50010]

**Engine serial number:**  
 22000399 22000509 22000510 22000511

|     |          |   |  |
|-----|----------|---|--|
| 1   | 02931580 | 5 | main bearing STANDARD<br>STANDARD (A) MM RD, UNDERSIZE SEE POS. (B) A = 84.00 MM B = POS. 952      |
| 2   | 02931585 | 2 | shoulder ring STANDARD<br>STANDARD (A) MM, OVERSIZE SEE POS. (B) POS. (B) A = 2.15 MM B = Pos. 953 |
| 952 | 02931583 | 5 | main bearing - mm 0.25<br>1st UNDERSIZE A = 83.75 MM   |
| 953 | 02931586 | 2 | shoulder ring<br>1st OVERSIZE A = 2.35 MM  |

002 ©



**<https://www.ebooklibonline.com>**

Hello dear friend!

Thank you very much for reading.

Enter the link into your browser.

The full manual is available for immediate download.

**<https://www.ebooklibonline.com>**

**PISTON**

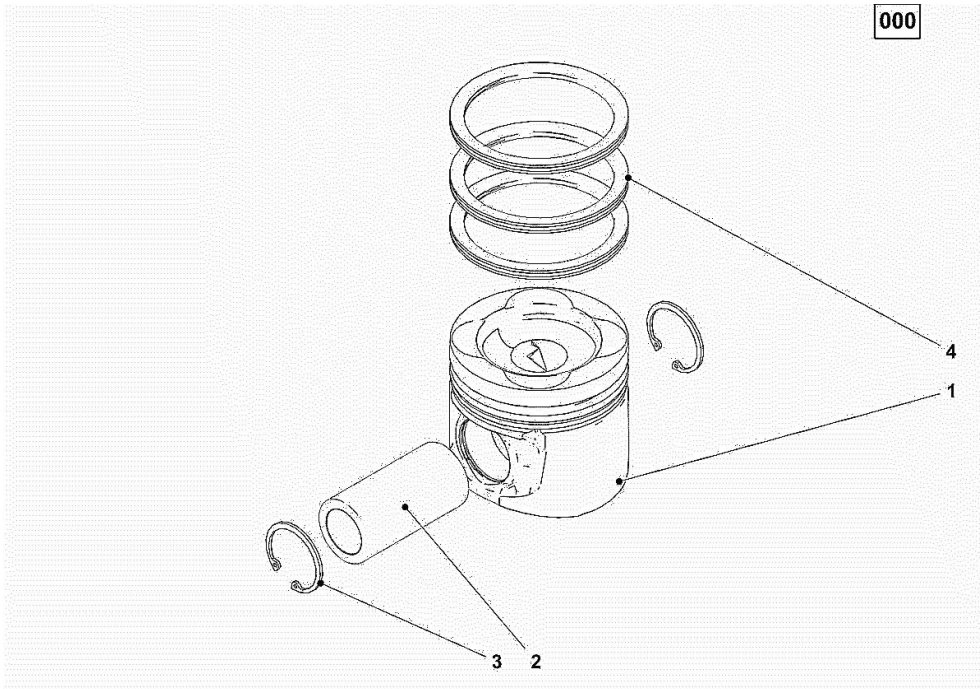
| Fig. | P/n | QTY | Name |
|------|-----|-----|------|
|------|-----|-----|------|

**Notes:**

[Fortis 160.4 -> WSXV400200LS50010]

**Engine serial number:**

22000399 22000509 22000510 22000511



|   |          |   |                              |
|---|----------|---|------------------------------|
| 1 | 04507201 | 1 | piston<br>WITH POS.... (2-4) |
| 2 | 00667126 | 1 | piston pin                   |
| 3 | 01148841 | 2 | circlip<br>DIN 472 -40X1,75* |
| 4 | 04507203 | 1 | piston ring set              |

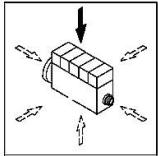
**CONNECTING ROD**

| Fig. | P/n | QTY | Name |
|------|-----|-----|------|
|------|-----|-----|------|

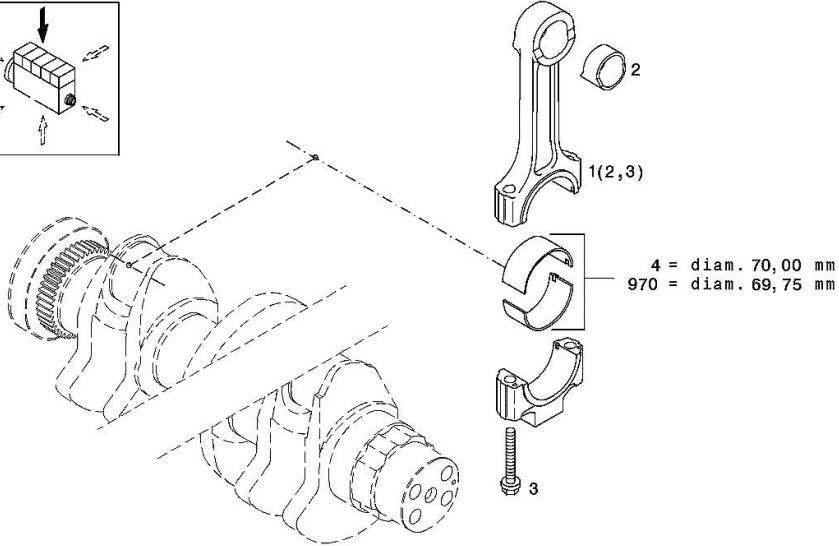
**Notes:**  
 [Fortis 160.4 -> WSXV400200LS50010]

**Engine serial number:**  
 22000399 22000509 22000510 22000511

|     |          |   |   |
|-----|----------|---|---|
| 1   | 04293425 | 1 | connecting rod<br>WITH POS.... (2,3)  |
| 2   | 04288314 | 1 | bushing   |
| 3   | 04284184 | 2 | screw<br>30 Nm , 60° , 60°  |
| 4   | 02931578 | 1 | conrod bearing STANDARD<br>NORMALE (A) MM RD, MINORAZIONE VEDERE POS.<br>(B) A = 70.00 MM B = Pos.970 |
| 970 | 02931579 | 1 | conrod bearing - mm 0.25<br>1st UNDERSIZE N A = 69.75 MM  |



002 ©



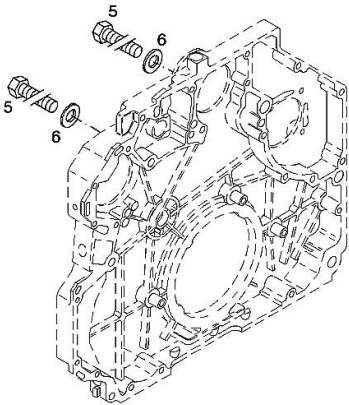
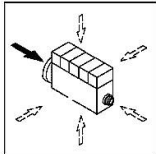
**FASTENINGS**

| Fig. | P/n | QTY | Name |
|------|-----|-----|------|
|------|-----|-----|------|

**Notes:**  
 [Fortis 160.4 -> WSXV400200LS50010]

**Engine serial number:**  
 22000399 22000509 22000510 22000511

|   |          |   |  |
|---|----------|---|--|
| 5 | 01148131 | 2 | screw<br>70 Nm<br>ISO 4017 -M16X60-10.9-ZNAL-A |
| 6 | 01107117 | 2 | washer 17<br>DIN 125 -A17-140HV-A4C            |



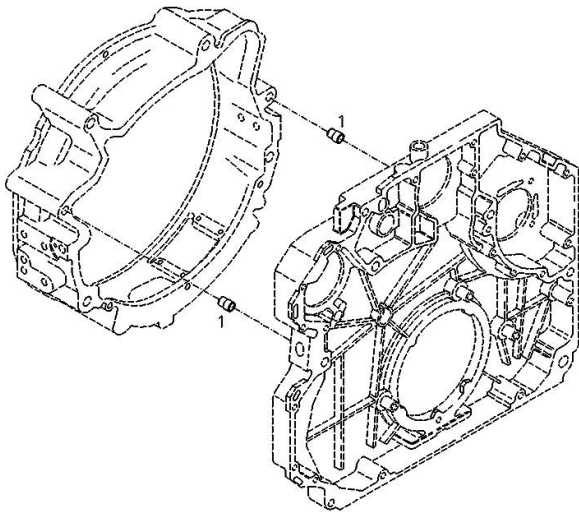
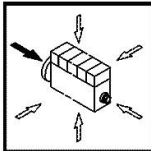
**BUSH**

| Fig. | P/n | QTY | Name |
|------|-----|-----|------|
|------|-----|-----|------|

**Notes:**  
 [Fortis 160.4 -> WSXV400200LS50010]

**Engine serial number:**  
 22000399 22000509 22000510 22000511

|   |          |   |      |
|---|----------|---|------|
| 1 | 04282959 | 2 | bush |
|---|----------|---|------|



000 ©

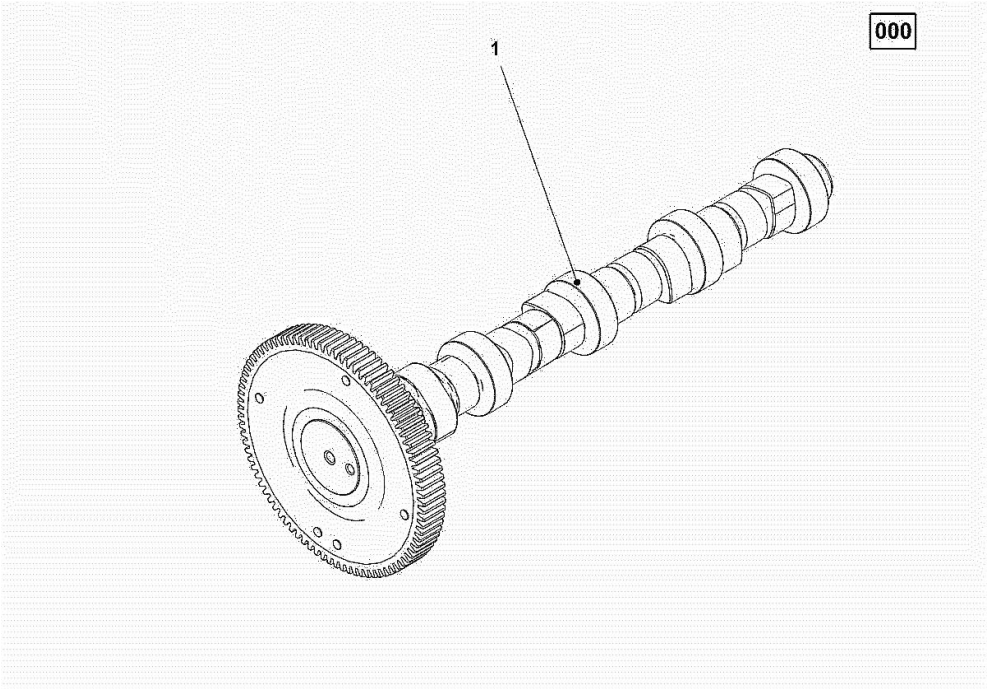
**CAMSHAFT**

| Fig. | P/n | QTY | Name |
|------|-----|-----|------|
|------|-----|-----|------|

**Notes:**  
 [Fortis 160.4 -> WSXV400200LS50010]

**Engine serial number:**  
 22000399 22000509 22000510 22000511

|   |          |   |       |
|---|----------|---|-------|
| 1 | 04506718 | 1 | shaft |
|---|----------|---|-------|

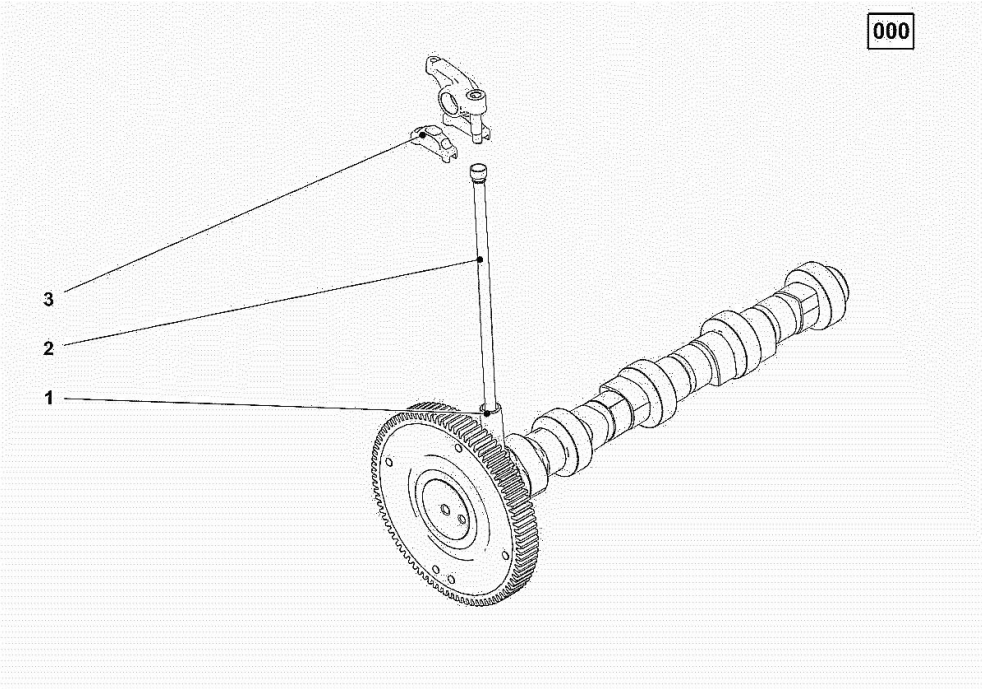


**VALVE DRIVE**

| Fig. | P/n | QTY | Name |
|------|-----|-----|------|
|------|-----|-----|------|

**Notes:**  
 [Fortis 160.4 -> WSXV400200LS50010]

**Engine serial number:**  
 22000399 22000509 22000510 22000511



|   |          |   |            |
|---|----------|---|------------|
| 1 | 04283150 | 8 | cap        |
| 2 | 04501080 | 8 | rod        |
| 3 | 04500016 | 8 | rocker arm |

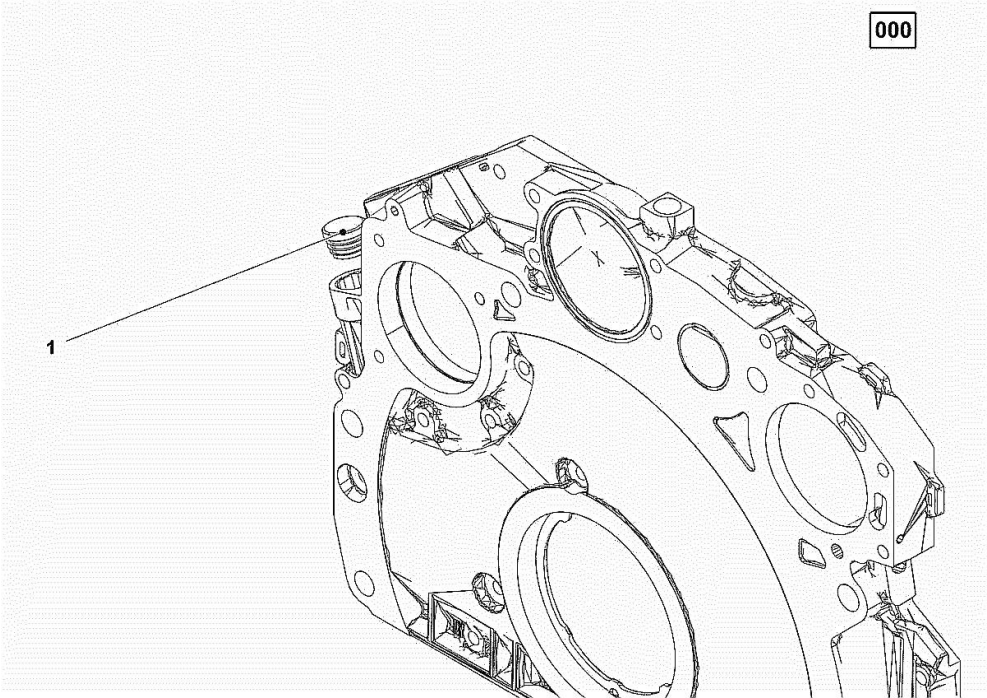
**PLUG**

| Fig. | P/n | QTY | Name |
|------|-----|-----|------|
|------|-----|-----|------|

**Notes:**  
 [Fortis 160.4 -> WSXV400200LS50010]

**Engine serial number:**  
 22000399 22000509 22000510 22000511

|   |          |   |                                   |
|---|----------|---|-----------------------------------|
| 1 | 01181264 | 1 | plug<br>H 2870 -F3-28X14,0-PE-LLD |
|---|----------|---|-----------------------------------|



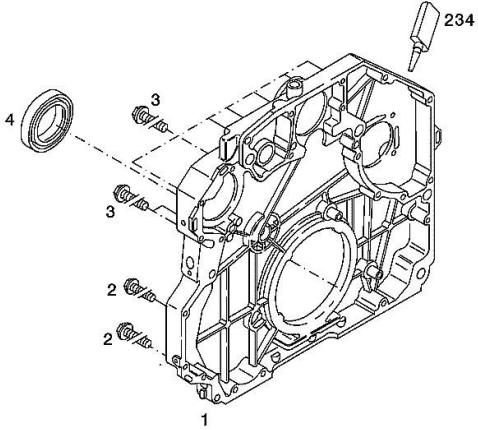
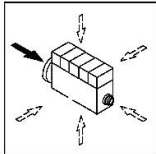
GEARCASE

| Fig. | P/n | QTY | Name |
|------|-----|-----|------|
|------|-----|-----|------|

Notes:  
 [Fortis 160.4 -> WSXV400200LS50010]

Engine serial number:  
 22000399 22000509 22000510 22000511

|     |          |    |  |
|-----|----------|----|--|
| 1   | 04291432 | 1  | plate  |
| 2   | 01143362 | 12 | screw<br>30 Nm<br>EN 1662 -F-M8X35-10.9-A4C    |
| 3   | 01181437 | 9  | screw<br>30 Nm<br>EN 1662 -F-M8X45-10.9-ZNAL-A |
| 4   | 04502203 | 1  | ring   |
| 234 | 01016024 | 1  | gasket<br>H 0699 -DEUTZDW67-50ML               |



**VENTILSTEUERUNG**

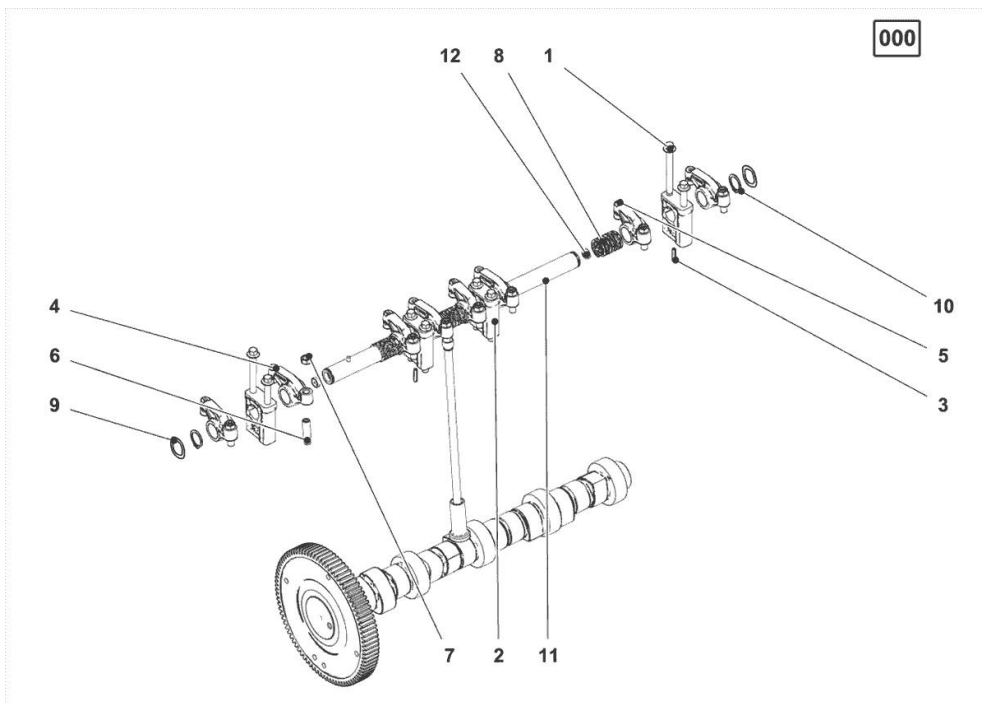
| Fig. | P/n | QTY | Name |
|------|-----|-----|------|
|------|-----|-----|------|

**Notes:**

[Fortis 160.4 -&gt; WSXV400200LS50010]

**Engine serial number:**

22000399 22000509 22000510 22000511



|     |          |   |   |
|-----|----------|---|---|
| 1   | 01181435 | 8 | screw<br>20 Nm , 30 Nm<br>EN 1662 -F-M8X75-10.9-ZNAL-A* |
| 2   | 04501728 | 4 | support   |
| 3   | 01144117 | 2 | pin<br>ISO 8750 -5X20-ST                                |
| 4   | 04501050 | 4 | rocker arm<br>MIT POS....<br>(6,7)                      |
| 5   | 04501048 | 4 | rocker arm<br>MIT POS....<br>(6,7)                      |
| 6   | 04902838 | 8 | register  |
| 7   | 02109637 | 8 | nut<br>20 Nm  |
| 8   | 04901080 | 3 | spring  |
| 9   | 04504710 | 2 | washer  |
| 10  | 01107732 | 2 | circlip<br>DIN 471 -22X1,2                              |
| 11  | 04502015 | 1 | rod<br>MIT POS....<br>(12)                              |
| 12  | 01180113 | 2 | plug<br>DIN 443 -14                                     |
| 950 | 04504712 | 1 | none<br>MIT POS....<br>(1-12)                           |

**FASTENINGS**

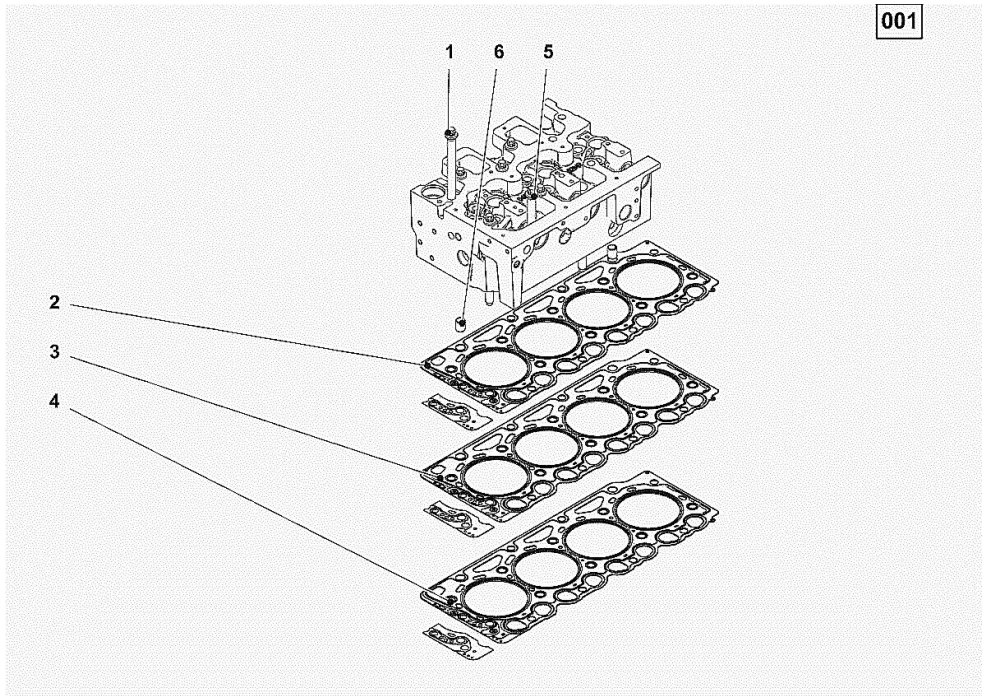
| Fig. | P/n | QTY | Name |
|------|-----|-----|------|
|------|-----|-----|------|

**Notes:**

[Fortis 160.4 -&gt; WSXV400200LS50010]

**Engine serial number:**

22000399 22000509 22000510 22000511



|   |          |    |   |
|---|----------|----|---|
| 1 | 04501930 | 14 | screw<br>40 Nm ,70 Nm, 150°   |
| 2 | 04504793 | 1  | gasket<br>DEPENDING ON THE MEASUREMENT, GASKET THICKNESS DELIVERY STATUS (A)= ...MM ASSEMBLY STATUS (B)= ...MM FOR OTHER THICKNESSES SEE POS. (C) A = 1.30 mm           |
| 3 | 04504794 | 1  | gasket<br>DEPENDING ON THE MEASUREMENT, GASKET THICKNESS DELIVERY STATUS (A)= ...MM ASSEMBLY STATUS (B)= ...MM FOR OTHER THICKNESSES SEE POS. (C) A = 1.40 mm           |
| 4 | 04504795 | 1  | gasket<br>DEPENDING ON RESULTS OF THE MEASUREMENT, GASKET THICKNESS DELIVERY CONDITION (A)= ...MM ASSEMBLY CONDITION (B)= ...MM FOR OTHER THICKNESSES REFER TO POS. (C) |
| 5 | 04251251 | 4  | screw<br>40 Nm ,70 Nm, 120°   |
| 6 | 01181405 | 2  | grub screw<br>H 2341 -B15X18-FE/ZN12C*  |



**Suggest:**

**For more complete manuals. Please go to the home page.**

**<https://www.ebooklibonline.com>**

**If the above button click is invalid. Please download this document first, and then click the above link to download the complete manual.**

**Thank you so much for reading**

MOTORAUFHAENGUNG

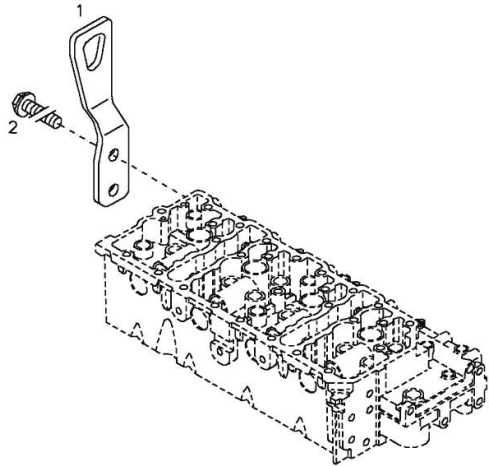
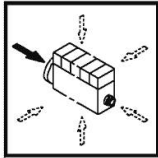
| Fig. | P/n | QTY | Name |
|------|-----|-----|------|
|------|-----|-----|------|

Notes:  
 [Fortis 160.4 -> WSXV400200LS50010]

Engine serial number:  
 22000399 22000509 22000510 22000511

|   |          |   |   |
|---|----------|---|---|
| 2 | 01183652 | 2 | screw<br>40.5 Nm<br>EN 1662 -F-M10X25-10.9-ZNAL-A |
| 1 | 04289469 | 1 | bracket   |

000 ©



## Section: B0 - ENGINE

**CYLINDER HEAD**

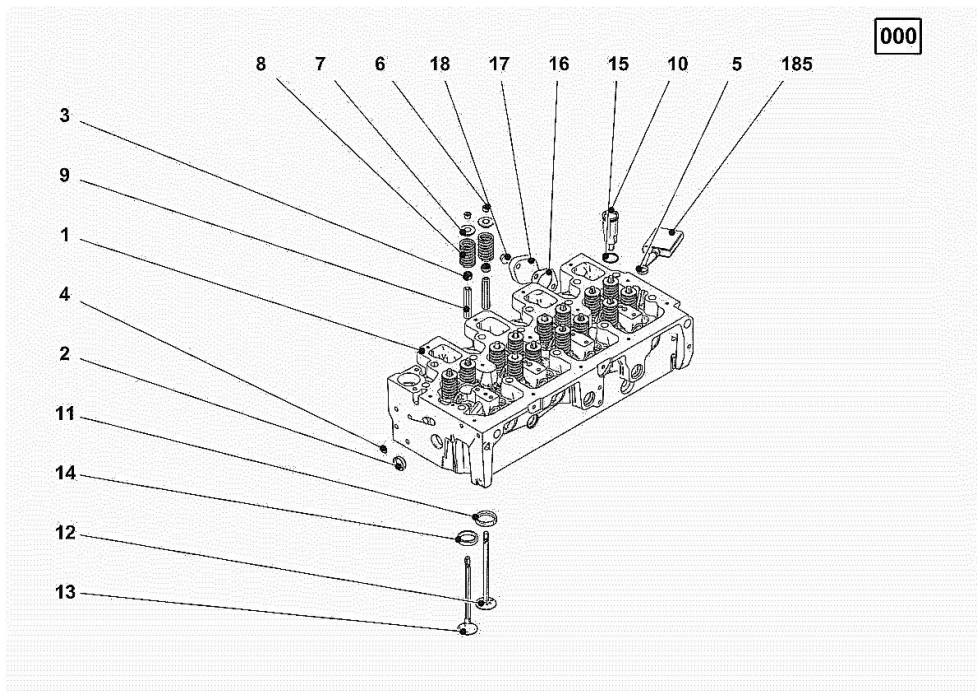
| Fig. | P/n | QTY | Name |
|------|-----|-----|------|
|------|-----|-----|------|

**Notes:**

[Fortis 160.4 -&gt; WSXV400200LS50010]

**Engine serial number:**

22000509 22000510 22000511



|     |          |    |  |
|-----|----------|----|--|
| 1   | 04510156 | 1  | head<br>WITH POS.... (2-18)                          |
| 2   | 01165830 | 4  | plug<br>H 711 -B25                                   |
| 3   | 04153728 | 16 | gasket   |
| 4   | 01182778 | 2  | plug<br>H 711 -B12-7*                                |
| 5   | 01165828 | 10 | stop<br>H 711 -B20                                   |
| 6   | 02108102 | 32 | half shell<br>H 7020 -MK8                            |
| 7   | 04250029 | 16 | cup  |
| 8   | 04250396 | 16 | spring   |
| 9   | 04908629 | 16 | valve guide  |
| 10  | 04904885 | 4  | bushing  |
| 11  | 04504789 | 8  | valve seat   |
| 12  | 04500651 | 8  | inlet valve  |
| 13  | 04501941 | 8  | exhaust valve  |
| 14  | 04501935 | 8  | valve seat   |
| 15  | 01182790 | 4  | circlip<br>H 2927 -23,6X2,0-FPM-1-70                 |
| 16  | 01120818 | 1  | gasket<br>DIN 71511 -35X58X1-DEUTZDW20               |
| 17  | 01215164 | 1  | flange<br>DIN 71501 -B0X58-1                         |
| 18  | 01181433 | 2  | screw<br>30 Nm<br>EN 1662 -F-M8X20-LG2,5-10.9-ZNAL-A |
| 185 | 01319910 | 1  | guard  |

**<https://www.ebooklibonline.com>**

Hello dear friend!

Thank you very much for reading.

Enter the link into your browser.

The full manual is available for immediate download.

**<https://www.ebooklibonline.com>**