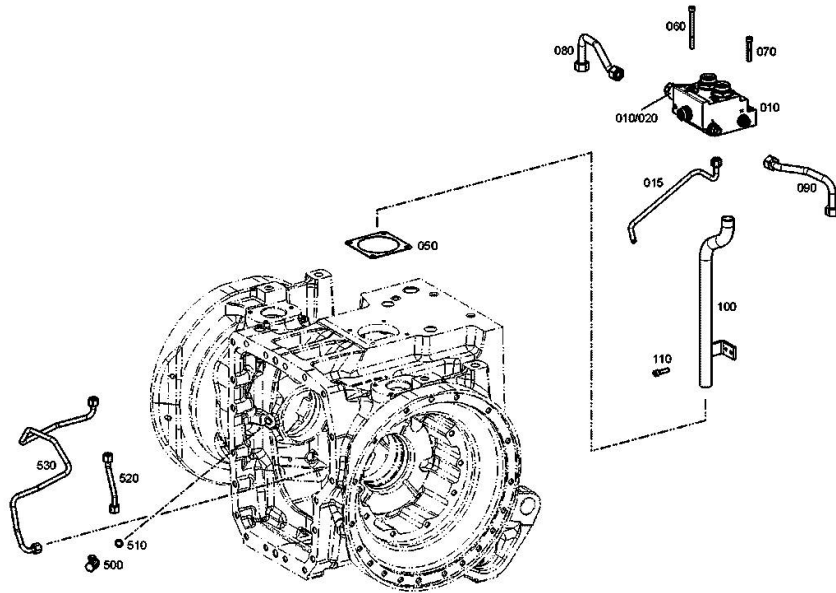


**OIL SUPPLY - 2093 012 017**

Fig.	P/n	QTY	Name
10	0.900.2219.4	1	valve
10.20	0.900.2013.9	1	coil
15	0.900.2219.5	1	tube
50	0.900.0885.3	1	gasket
60	0.900.0882.4	2	screw m 8x95
70	0.900.0882.1	2	screw m 8 x 40
80	0.900.0954.0	1	gasket
90	0.900.0954.1	1	pipng
100	0.900.0883.3	1	tube
110	04434509	2	screw m 8 x 30
500	04417707	1	pipe fitting
510	04423731	1	oil seal 14 x 18
520	0.010.2973.0	1	pipng
530	0.010.2899.2	1	tube



**OIL SUPPLY - 2093 012 017**

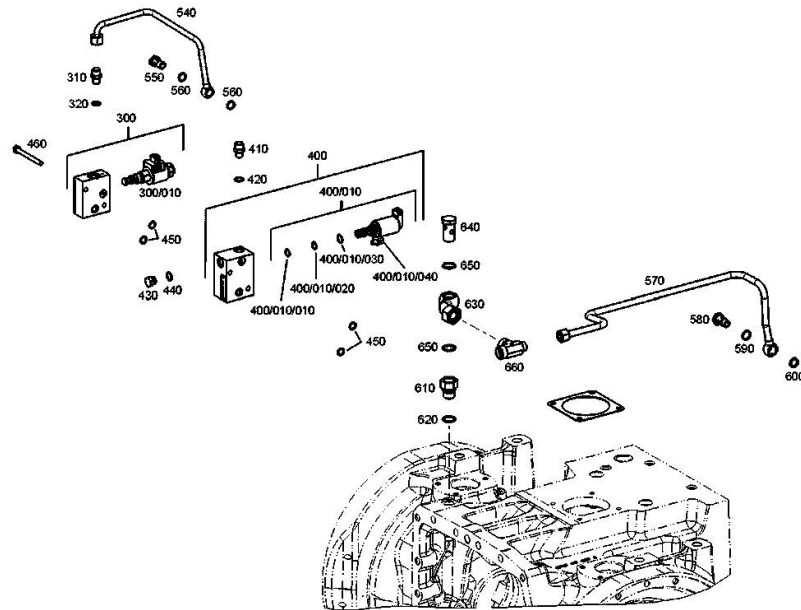
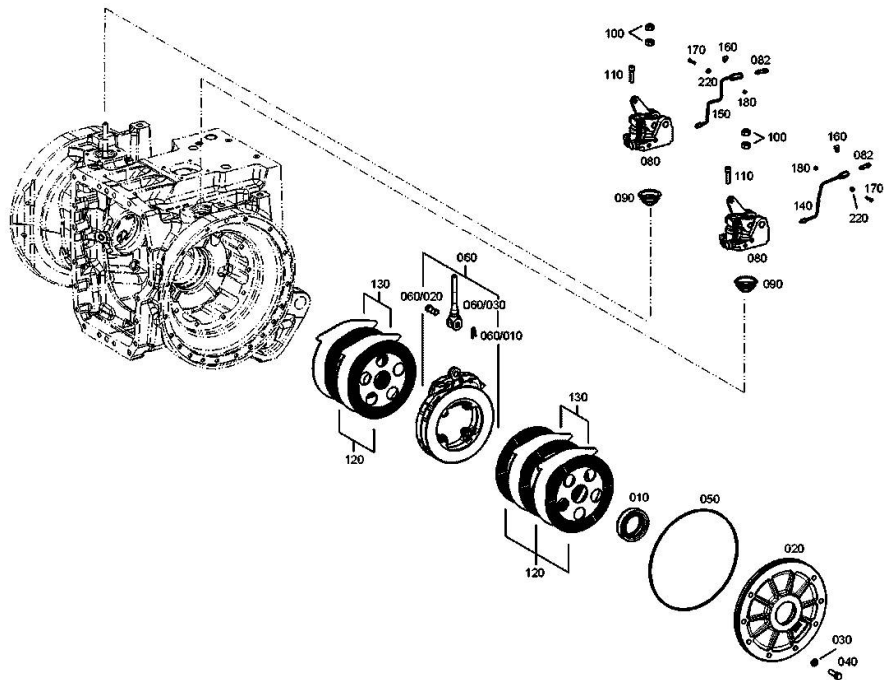


Fig.	P/n	QTY	Name
300	0.900.1363.3	1	small block
300.10	0.900.1384.6	1	solenoid valve
310	0.900.2209.1	1	pipe union
320	04423731	1	oil seal 14 x 18
400	0.900.0952.1	1	control
400.10	0.900.0952.8	1	solenoid valve DV
400.10.10	0.900.1377.6	1	gasket 13 x 1.5
400.10.20	0.900.1377.5	1	gasket 12,4 x 1,78
400.10.30	0.900.1377.7	1	gasket 14x1.78
400.10.40	0.900.1377.8	1	screw m 8 x 16
410	0.900.2209.1	1	pipe union
420	04423731	1	oil seal 14 x 18
430	0.900.0281.0	1	plug m 14 p.1.5
440	04423731	1	oil seal 14 x 18
450	0.900.0801.4	4	ring 11,3 x 2,4 NBR-70-10
460	0.900.1363.4	2	screw
540	0.900.1363.2	1	tube
550	0.900.2189.8	1	screw
560	04423731	2	oil seal 14 x 18
570	0.010.2894.2	1	piping
580	04427560	1	pipe union
590	04436331	1	oil seal 16 x 20
600	0.010.2895.0	1	gasket 14x20
610	0.010.3826.2	1	pipe fitting
620	01118737	1	oil seal 22 x 27
630	0.010.3826.0	1	piping
640	04415923	1	pipe union 18 DIN 7643
650	01118737	2	oil seal 22 x 27
660	04435710	1	vent

**REAR BRAKES - 2093 012 017**

Fig.	P/n	QTY	Name
10	04417316	2	oil seal
20	0.900.1239.5	2	cover
30	0.900.0277.9	4	washer
40	0.900.2018.4	16	screw
50	04428220	2	oil seal 305x4
60	0.900.1583.9	2	transmission brake
60.10	04435741	1	split pin
60.20	04435740	1	pin
60.30	04428551	1	rod
80	0.900.2018.5	2	operation
82	0.900.2124.5	2	breather
90	0.900.0800.9	2	rubber bushing
100	0.900.2019.0	4	nut
110	0.900.0469.7	6	screw m 10 x 40
120	0.900.1584.6	10	disc
130	0.900.0801.3	8	disc
140	04428545	1	tube sx/lh/li
150	04428546	1	pipng dx/rh/re
160	0.900.0468.2	2	clamp 6x12
170	0.900.0280.1	2	screw m 5 x 25
180	0.900.2181.3	2	nut
220	0.900.2181.4	2	nut



**<https://www.ebooklibonline.com>**

Hello dear friend!

Thank you very much for reading.

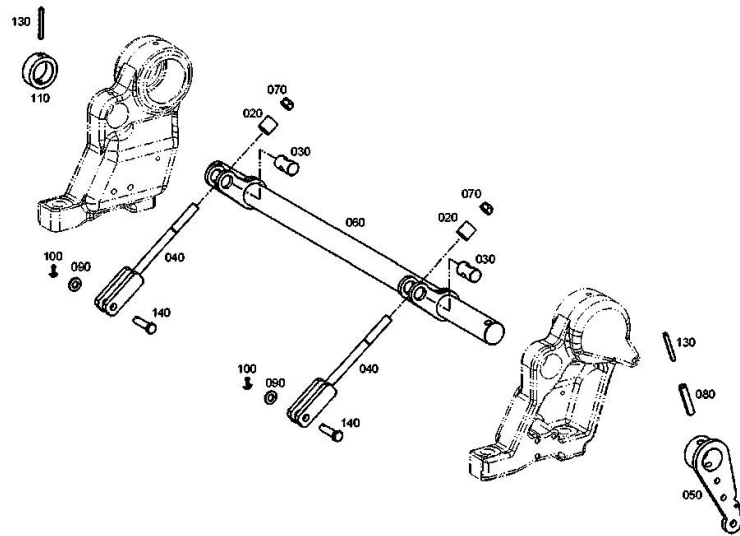
Enter the link into your browser.

The full manual is available for immediate download.

**<https://www.ebooklibonline.com>**

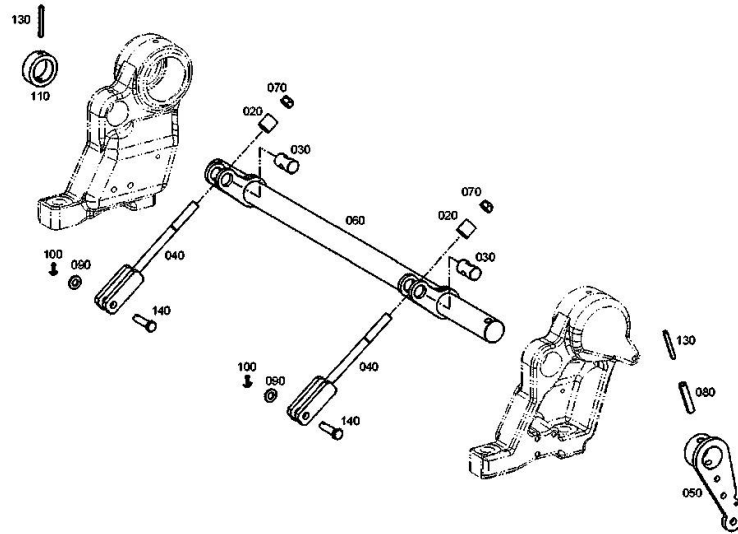
**BRAKE CONTROLS - 2093 012 017**

Fig.	P/n	QTY	Name
20	0.900.1239.8	2	tube
30	0.900.1239.9	2	pin
40	0.900.2018.6	2	rod
50	0.900.2124.6	1	lever
60	0.900.2018.8	1	shaft
70	0.900.0281.9	2	nut m 12
80	0.900.2018.9	1	pin
90	0.900.0466.9	2	washer
100	0.900.2082.0	2	pin
110	0.900.1240.3	1	spacer
130	0.010.2901.1	2	pin 6x50
140	0.900.2015.9	2	ring



**LIFTING - 2093 012 017**

Fig.	P/n	QTY	Name
10	0.900.0883.4	1	shaft
30	0.900.1407.9	1	bearing block dx/rh/re
40	0.900.1431.3	2	bearing
50	0.900.1408.0	1	bearing block sx/lh/li
60	04417549	2	special bushing
70	0.900.0469.1	4	screw m 20x65
80	0.900.0498.6	2	grease gun
90	04417552	2	ring 78.5x6
100	0.010.2922.2	2	grease gun m 8 p.1 x 8



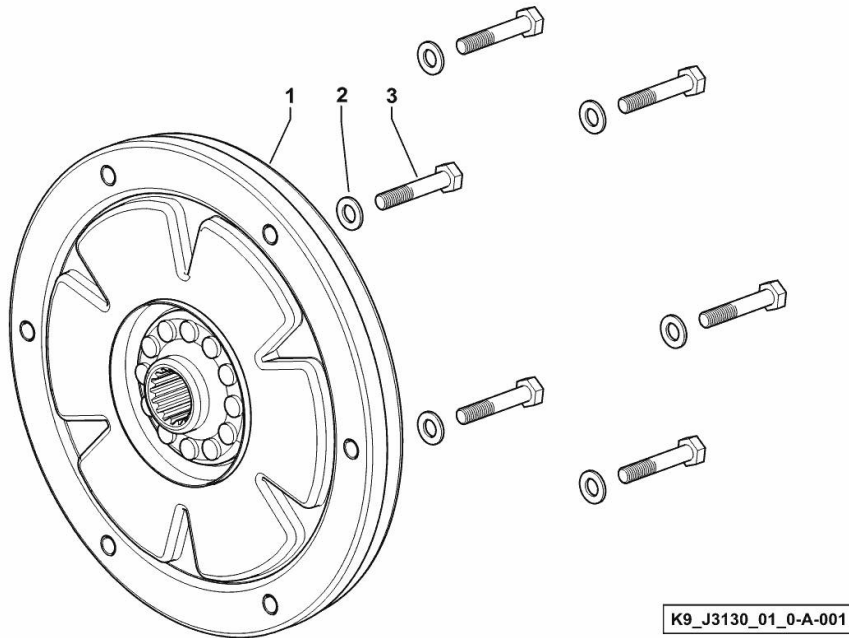
**FLEXIBLE COUPLINGS**

Fig.	P/n	QTY	Name
------	-----	-----	------

**Notes:**

[FORTIS 160.4 Infinity ->WSXAP80200LS50010]

1	0.015.4319.4	1	vibration damper
2	2.1475.003.2	6	washer 10
3	2.0113.320.7	6	screw m 10 p.1.5 x 55



**FORTIS 160.4 Infinity ->WSXAP80200LS50010**

Section: D0 - TRANSMISSION

Ref: D0.09.0 (1)

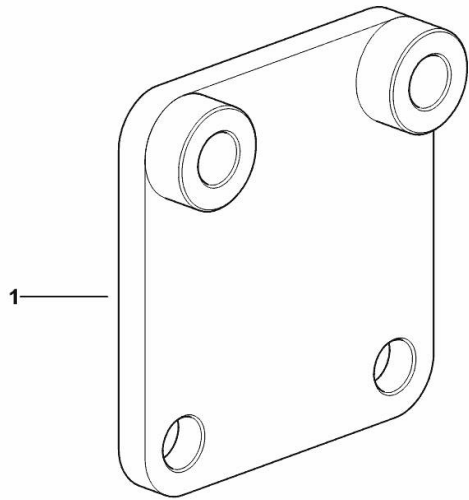
**SEPARATOR mm 15**

Fig.	P/n	QTY	Name
------	-----	-----	------

**Notes:**

- FOR MODELS WITH FRONT LIFT [FORTIS 160.4 Infinity ->WSXAP80200LS50010]

1	0.015.7285.2	2	spacer mm 15
---	--------------	---	--------------



K9\_S3156\_02\_0-A-001

**FORTIS 160.4 Infinity ->WSXAP80200LS50010**

Section: D0 - TRANSMISSION

Ref: D0.09.1 (1)

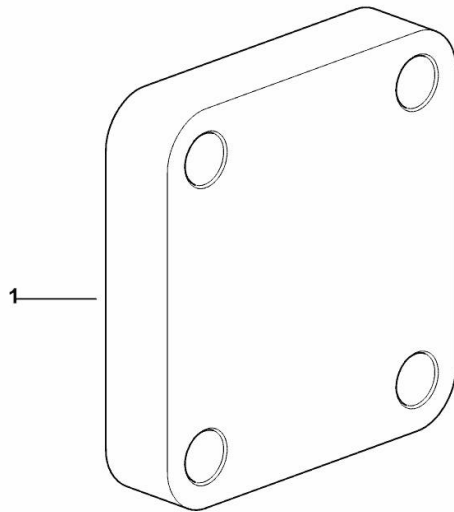
**SEPARATOR mm 35**

Fig.	P/n	QTY	Name
------	-----	-----	------

**Notes:**

- FOR MODELS WITHOUT FRONT LIFT [FORTIS 160.4 Infinity ->WSXAP80200LS50010]

1	0.015.7283.0	2	spacer mm 35
---	--------------	---	--------------



K9\_S3156\_01\_0-A-001

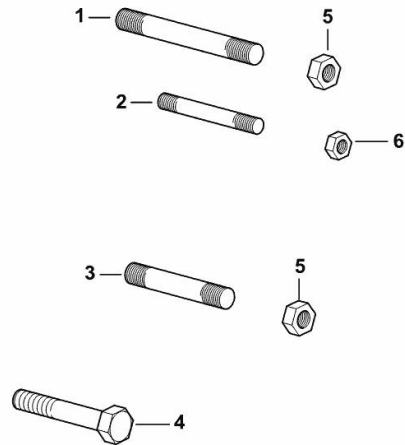
**FIXING PARTS - MOTOR - GEARS**

Fig.	P/n	QTY	Name
------	-----	-----	------

**Notes:**

[FORTIS 160.4 Infinity ->WSXAP80200LS50010]

1	2.0439.288.6/10	2	stud bolt m 16 p.2x140
2	2.0439.289.6/20	2	stud bolt m 12 p.1.75x100
3	2.0439.290.6/10	2	stud bolt m 16 p.2x120
4	2.0119.288.6	2	screw m16x100 d931
5	2.1012.109.7	4	nut m 16
6	2.1012.107.7	2	nut m 12



K9\_A3931\_01\_0-A-002



**Suggest:**

**For more complete manuals. Please go to the home page.**

**<https://www.ebooklibonline.com>**

**If the above button click is invalid. Please download this document first, and then click the above link to download the complete manual.**

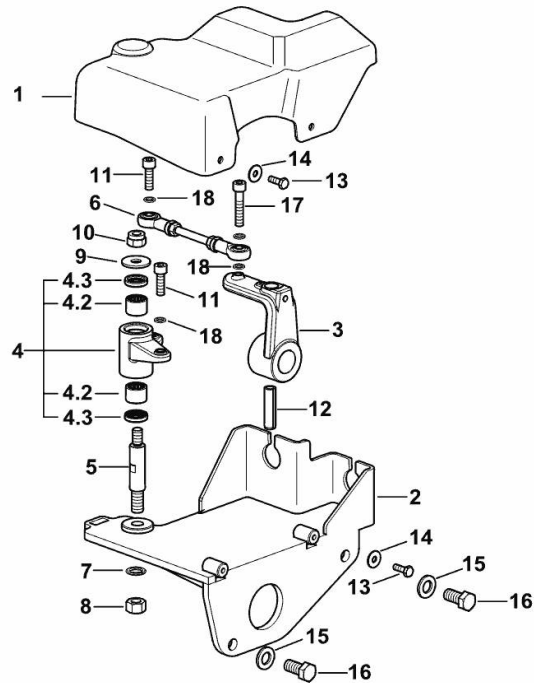
**Thank you so much for reading**

**GEAR SHIFTING**

Fig.	P/n	QTY	Name
------	-----	-----	------

**Notes:**

- FOR TYPES WITH NON-ROBOTIC GEARBOX [FORTIS 160.4 Infinity ->WSXAP80200LS50010]



K9\_J3164\_04\_0-A-002

1	0.019.4943.0	1	cover
2	0.016.5459.2/20	1	support
3	0.019.5033.0	1	lever
4	0.019.5053.4	1	lever
4.2	2.2725.020.0	2	roller cage 16x22x16
4.3	2.1519.078.0	2	special oil seal 16 x 24 x 6
5	0.016.2711.0/20	1	pin
6	0.019.4543.4	1	stay
7	2.1474.011.2	1	spring washer 12
8	2.1011.107.2	1	nut m 12 p.1.75
9	2.1312.005.2	1	washer 10.2
10	2.1120.006.2	1	nut m 10 p.1.5
11	2.0312.208.2	2	screw m 8 p.1.25 x 25
12	2.1630.916.2	1	pin 12x45
13	2.0112.006.2	2	screw m 6 p.1 x 18
14	2.1312.003.2	2	washer 6
15	2.1475.104.6	2	screw 13 x 24
16	2.0114.409.2	2	screw m 12 x 25
17	2.0312.214.2	1	screw m 8 p.1.25 x 40
18	2.1549.780.2	4	washer

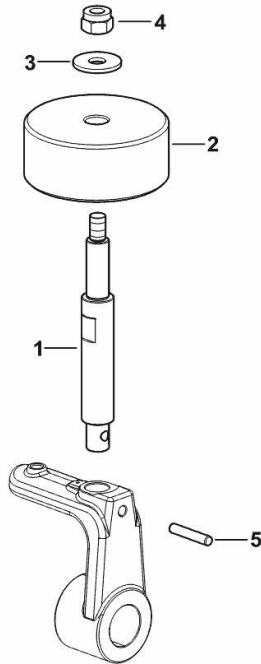
**GEAR SHIFTING**

Fig.	P/n	QTY	Name
------	-----	-----	------

**Notes:**

- FOR TYPES WITH NON-ROBOTIC GEARBOX [FORTIS 160.4 Infinity ->WSXAP80200LS50010]

1	0.019.5035.0/10	1	pin
2	0.019.4933.0/10	1	mass
3	2.1312.005.2	1	washer 10.2
4	2.1120.006.2	1	nut m 10 p.1.5
5	2.1659.533.2	1	pin



K9\_U1564\_01\_0-A-001

**<https://www.ebooklibonline.com>**

Hello dear friend!

Thank you very much for reading.

Enter the link into your browser.

The full manual is available for immediate download.

**<https://www.ebooklibonline.com>**