

**KURBELGEHAEUSE**

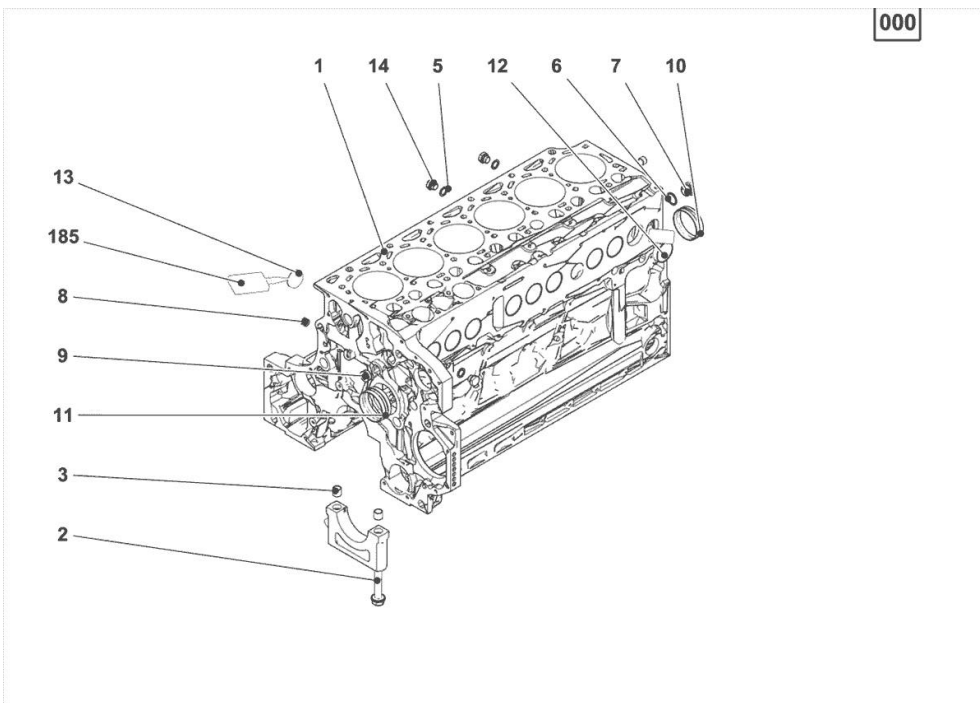
Fig.	P/n	QTY	Name
------	-----	-----	------

**Notes:**

[Fortis 160 -&gt;WSXU200200LS50010]

**Engine serial number:**

11240969 11252850 11252851 11252852 11283794 11283795 11283796 11292073 11292074 22000431



1	04600334	1	crankcase MIT POS.... (2,3,5-14)
2	04254240	14	screw 50 Nm , 90° , 90°
3	04160764	14	bushing
5	01148836	2	oil seal DIN 7603 -D14X20-CU-VERZINNT
6	01148863	1	rubber plug DIN 7603 -D22X27-CU-VERZINNT
7	04292706	1	plug 80 Nm
8	01182031	2	screw 35 Nm H 2812 -906-M14X1,5-ST-A3C-LOCTITE506
9	04226536	1	bottom 30 Nm
10	04507244	6	bushing
11	04507765	1	bushing
12	01148032	9	cover DIN 443 -A45-ZNPHR
13	01148031	6	plug DIN 443 -A36-ZNPHR
14	01100940	2	screw 35 Nm DIN 7604 -AM14X1,5-ST-A4C
185	01319910	1	guard

**ACCESSORIES**

Fig.	P/n	QTY	Name
------	-----	-----	------

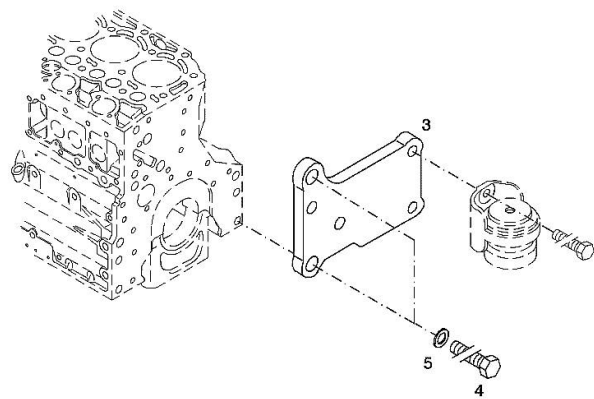
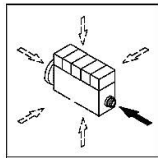
**Notes:**

[Fortis 160 ->WSXU200200LS50010]

**Engine serial number:**

11283794 11283795 11283796 11292073 11292074

3	04288659	1	support
4	01148261	2	screw ISO 4017 -M16X40-10.9-ZNAL-A
5	01181400	2	washer H 2308 -18X25X1,5-A4C



**OIL FILLER NECK**

Fig.	P/n	QTY	Name
------	-----	-----	------

**Notes:**

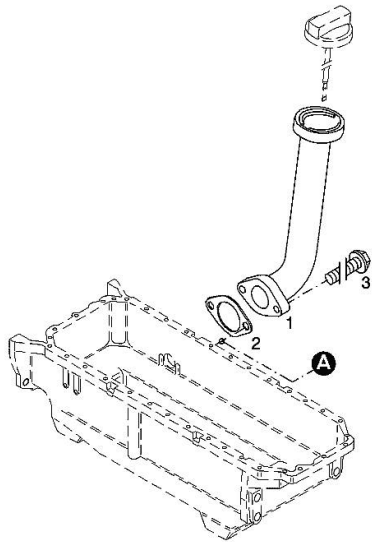
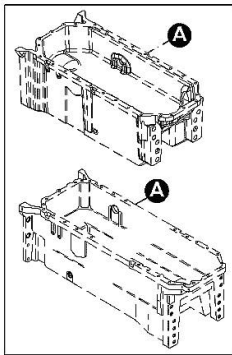
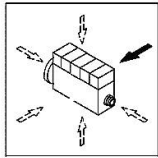
[Fortis 160 ->WSXU200200LS50010]

**Engine serial number:**

22000041

1	04207099	1	tube
2	01178421	1	gasket DIN 71511 -35X58X1,5-DEUTZFW31
3	01181433	2	screw 30 Nm EN 1662 -F-M8X20-LG2,5-10.9-ZNAL-A

001 ©



**<https://www.ebooklibonline.com>**

Hello dear friend!

Thank you very much for reading.

Enter the link into your browser.

The full manual is available for immediate download.

**<https://www.ebooklibonline.com>**

**ACCESSORIES**

Fig.	P/n	QTY	Name
------	-----	-----	------

**Notes:**

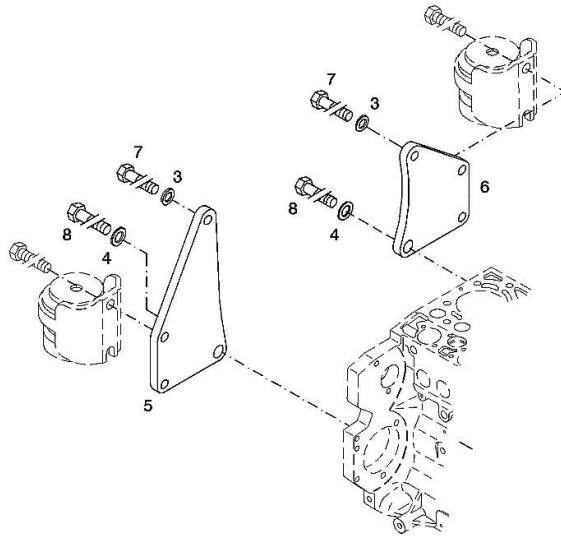
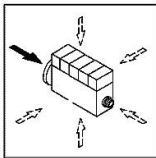
[Fortis 160 ->WSXU200200LS50010]

**Engine serial number:**

11240969 11252850 11252851 11252852 11283794 11283795 11283796 11292073 11292074 22000041 22000183  
22000184 22000431

003 ©

3	01182016	2	disc H 2308 -13X24X3-ZNAL-A
4	01181400	2	washer H 2308 -18X25X1,5-A4C
5	04206926	1	plate dx/rh/re
6	04206927	1	plate sx/lh/li
7	01148137	2	screw - UP TO MONTH OF ASSEMBLY ( A ) - FROM MONTH OF ASSEMBLY SEE POS. ( B ) A = 06.2009 B = POS. 950 DIN 931 -M12X75-10.9-ZNAL-A
8	01148037	2	screw UP TO MONTH OF ASSEMBLY ( A ) - FROM MONTH OF ASSEMBLY SEE POS. ( B ) A = 06.2009 B = POS. 951 ISO 4014 -M16X75-10.9-OELGESCHW
950	01149017	2	screw - FROM MONTH OF ASSEMBLY SEE POS. ( B ) - UP TO MONTH OF ASSEMBLY (A) FROM MONTH OF ASSEMBLY A = 07.2009 B = 7 DIN 34800 -BM12X75-10.9-ZNAL-A
951	01180235	2	screw - FROM MONTH OF ASSEMBLY SEE POS. ( B ) - UP TO MONTH OF ASSEMBLY ( A ) FROM MONTH OF ASSEMBLY A = 07.2009 B= Pos.8 H 2032 -HBM16X75-10.9-GESCHW



**KURBELGEHAEUSE**

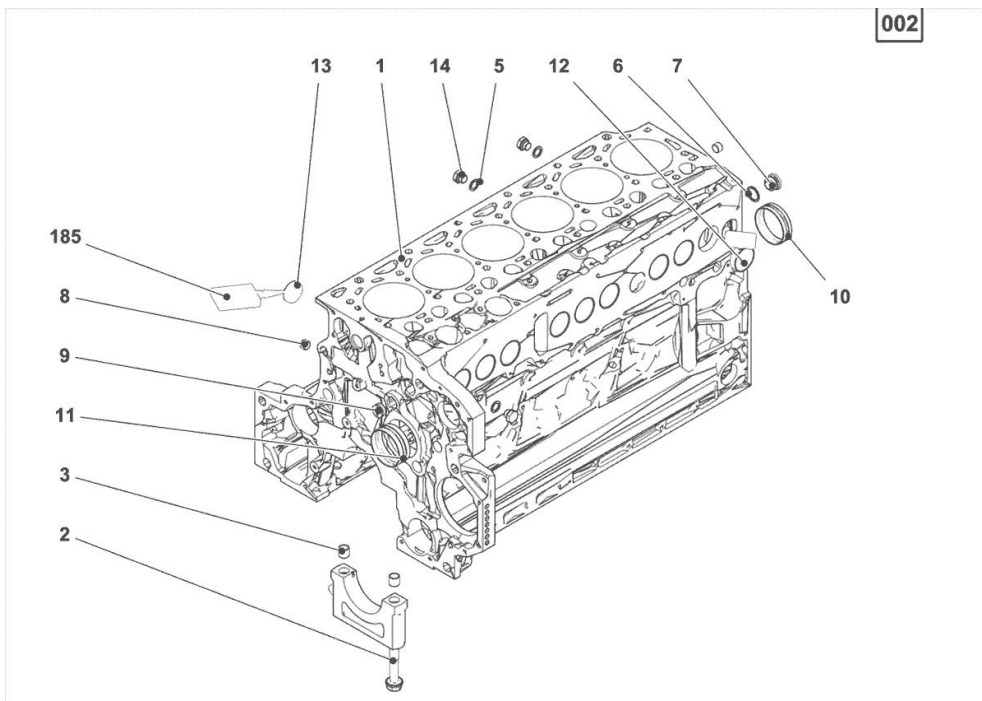
Fig.	P/n	QTY	Name
------	-----	-----	------

**Notes:**

[Fortis 160 -&gt;WSXU200200LS50010]

**Engine serial number:**

22000041 22000183 22000184



185	01319910	1	guard
1	04505233	1	crankcase MIT POS.... (2,3,5-14)
2	04254240	14	screw 50 Nm , 90° , 90°
3	04160764	14	bushing
5	01148836	2	oil seal DIN 7603 -D14X20-CU-VERZINNT
6	01148863	1	rubber plug DIN 7603 -D22X27-CU-VERZINNT
7	04292706	1	plug 80 Nm
8	01182031	2	screw 35 Nm H 2812 -906-M14X1,5-ST-A3C-LOCTITE506
9	04226536	1	bottom 30 Nm
10	04251884	6	plug
11	04507765	1	bushing
12	01148032	9	cover DIN 443 -A45-ZNPHR
13	01148031	6	plug DIN 443 -A36-ZNPHR
14	01100940	2	screw 35 Nm DIN 7604 -AM14X1,5-ST-A4C

**ACCESSORIES**

Fig.	P/n	QTY	Name
------	-----	-----	------

**Notes:**

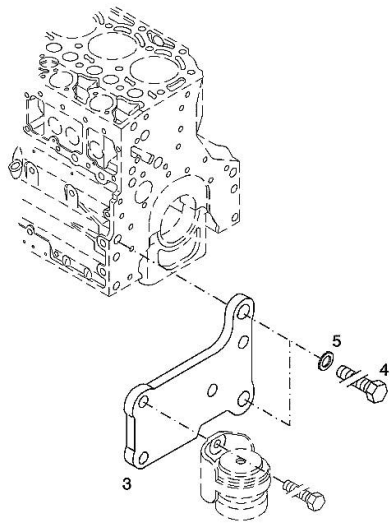
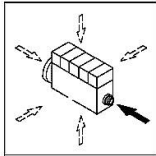
[Fortis 160 ->WSXU200200LS50010]

**Engine serial number:**

11283794 11283795 11283796 11292073 11292074

3	04288660	1	support
4	01148261	2	screw ISO 4017 -M16X40-10.9-ZNAL-A
5	01181400	2	washer H 2308 -18X25X1,5-A4C

003 ©



**OIL FILLER NECK**

Fig.	P/n	QTY	Name
------	-----	-----	------

**Notes:**

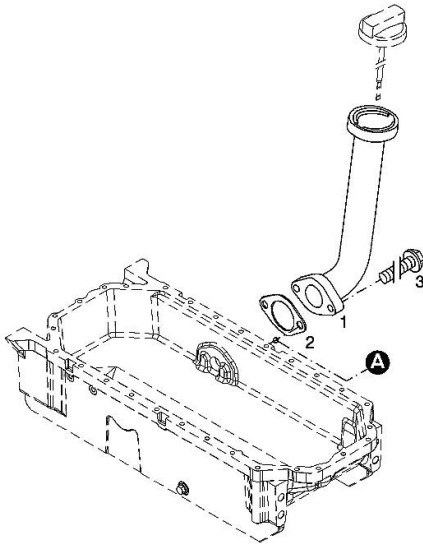
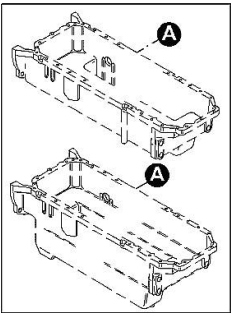
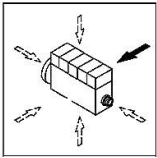
[Fortis 160 ->WSXU200200LS50010]

**Engine serial number:**

11240969 11252850 11252851 11252852 11283794 11283795 11283796 11292073 11292074 22000183 22000184  
22000431

1	04207099	1	tube
2	01178421	1	gasket
3	01181433	2	screw
			30 Nm

001 ©



**PLUG**

Fig.	P/n	QTY	Name
------	-----	-----	------

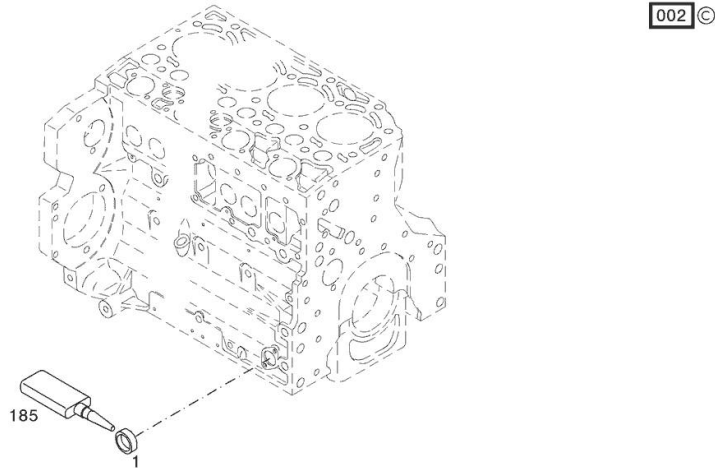
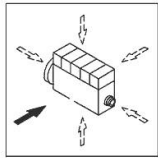
**Notes:**

[Fortis 160 ->WSXU200200LS50010]

**Engine serial number:**

11240969 11252850 11252851 11252852 11283794 11283795 11283796 11292073 11292074 22000041 22000183  
22000184 22000431

1	01148031	1	plug DIN 443 -A36-ZNPHR
185	01319911	1	sealing compound ml. 50



**FILLER CAP**

Fig.	P/n	QTY	Name
------	-----	-----	------

**Notes:**

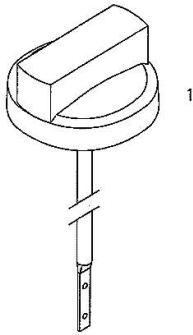
[Fortis 160 ->WSXU200200LS50010]

**Engine serial number:**

11240969 11252850 11252851 11252852 11283794 11283795 11283796 11292073 11292074 22000041 22000183  
22000184 22000431

1	01180341	1	plug H 2875 -B2-OL40-166X4X145X15
---	----------	---	--------------------------------------

000



**PISTON COOL.NOZZLE**

Fig.	P/n	QTY	Name
------	-----	-----	------

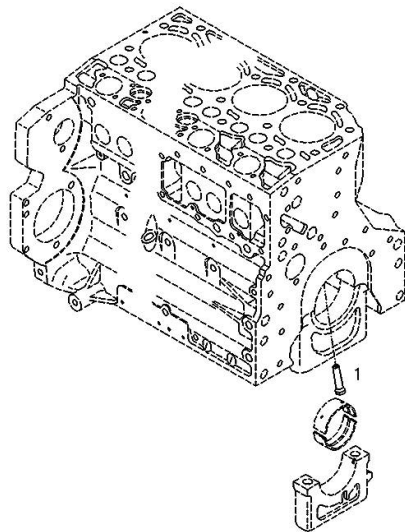
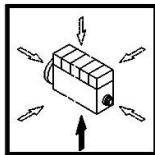
**Notes:**

[Fortis 160 ->WSXU200200LS50010]

**Engine serial number:**

11240969 11252850 11252851 11252852 11283794 11283795 11283796 11292073 11292074 22000041 22000183  
22000184 22000431

1	04207521	6	sprayers
---	----------	---	----------



001 ©

0507 0470

**FLANGE**

Fig.	P/n	QTY	Name
------	-----	-----	------

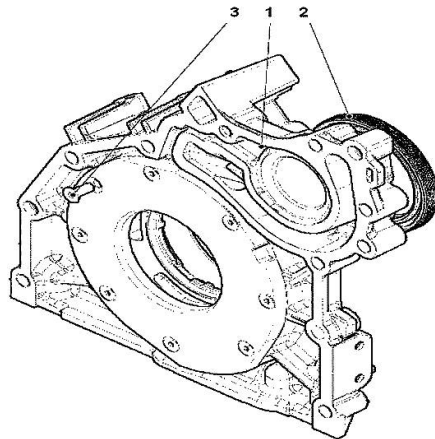
**Notes:**

[Fortis 160 ->WSXU200200LS50010]

**Engine serial number:**

11240969 11252850 11252851 11252852 11283794 11283795 11283796 11292073 11292074 22000041 22000183  
22000184 22000431

1	04502445	1	oil pump WITH POS.... (2,3)
2	04502202	1	special oil seal
3	01133718	8	screw 8.5 Nm DIN 7991 -M6X16-8.8-A4C



000

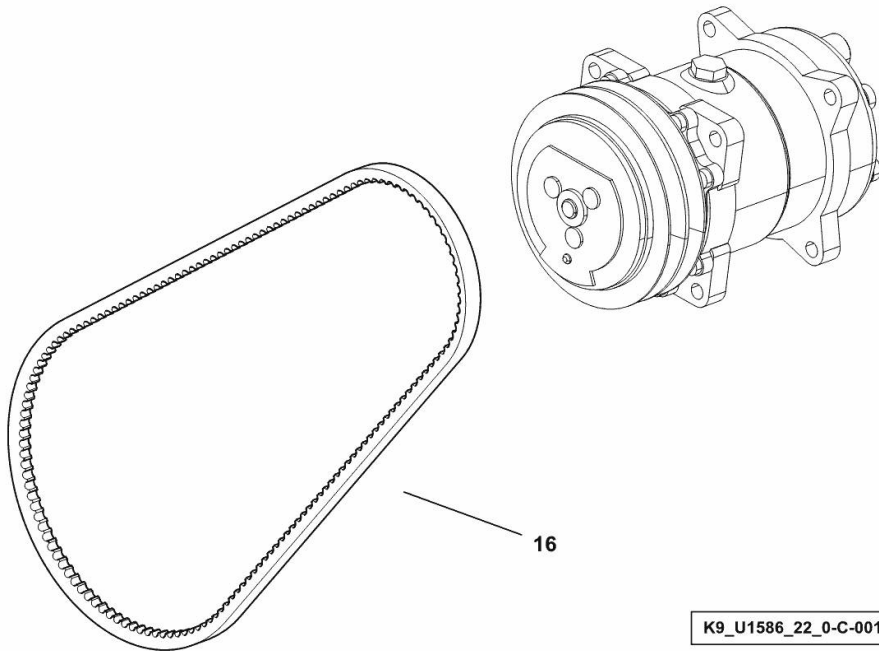
**V-BELT - FOR TRACTORS WITH AIR CONDITIONING**

Fig.	P/n	QTY	Name
------	-----	-----	------

**Notes:**

[Fortis 160 ->WSXU200200LS50010]

16	2.4119.202.0	1	belt AV 12.7x1130 mm
----	--------------	---	----------------------



**FASTENINGS**

Fig.	P/n	QTY	Name
------	-----	-----	------

**Notes:**

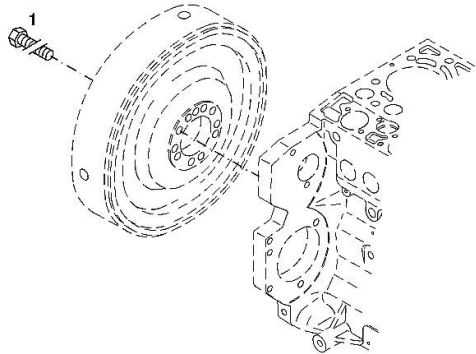
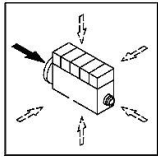
[Fortis 160 ->WSXU200200LS50010]

**Engine serial number:**

11240969 11252850 11252851 11252852 11283794 11283795 11283796 11292073 11292074 22000041 22000183  
22000184 22000431

1	04204128	10	screw m 10 p.1x35 M10X1X35
---	----------	----	-------------------------------

001 ©





**Suggest:**

**For more complete manuals. Please go to the home page.**

**<https://www.ebooklibonline.com>**

**If the above button click is invalid. Please download this document first, and then click the above link to download the complete manual.**

**Thank you so much for reading**

**KEILR.SCHEIBENANB.**

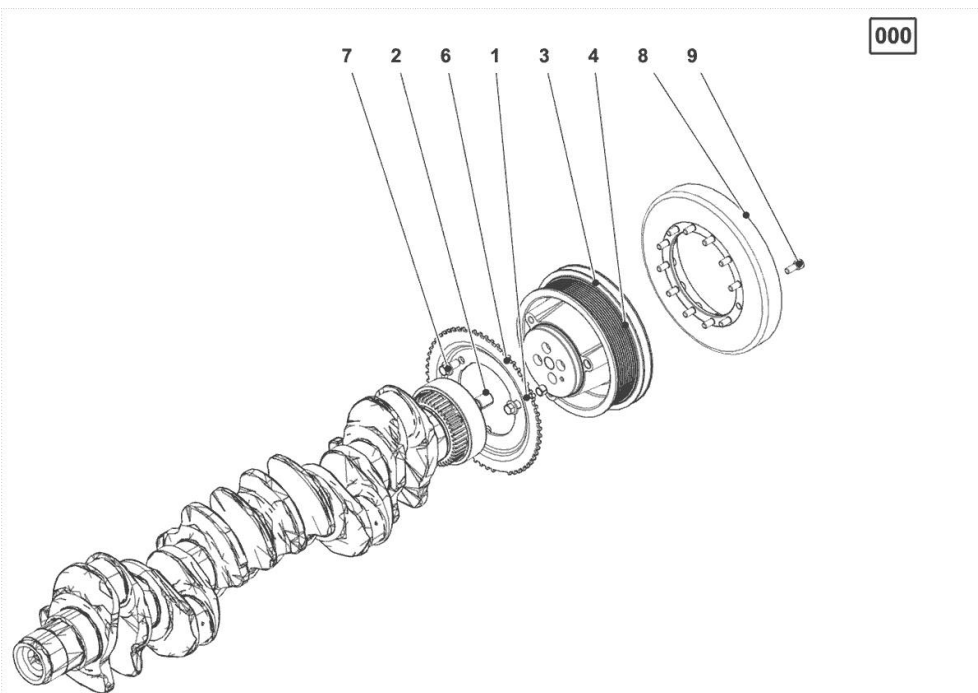
Fig.	P/n	QTY	Name
------	-----	-----	------

**Notes:**

[Fortis 160 -&gt;WSXU200200LS50010]

**Engine serial number:**

11240969 11252850 11252851 11252852 11283794 11283795 11283796 11292073 11292074 22000041 22000183  
22000184 22000431



1	01125637	1	pin ISO 8752 -5X14-ST
2	01181404	1	bush H 2341 -B18X24-FE/ZN12C*
3	04503730	1	pulley
4	04253406	4	screw 40 Nm / 60° / 60°
5	01174180	1	bush H 2341 -B13X10
6	04284734	1	lock washer
7	01181393	3	screw 60 Nm EN 1662 -F-M10X20-10.9-A4C
8	04220028	1	antivibration pulley
9	01110560	12	screw 30 Nm ISO 4762 -M8X20-10.9-OELGESCHW.

**CRANKSHAFT**

Fig.	P/n	QTY	Name
------	-----	-----	------

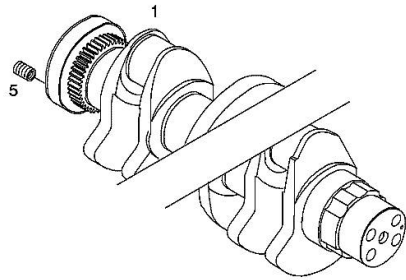
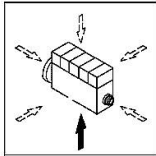
**Notes:**

[Fortis 160 ->WSXU200200LS50010]

**Engine serial number:**

11240969 11252850 11252851 11252852 11283794 11283795 11283796 11292073 11292074 22000041 22000183  
22000184 22000431

1	04502707	1	crankshaft
5	01172066	10	insert H 2358 -AM10X1X20



**<https://www.ebooklibonline.com>**

Hello dear friend!

Thank you very much for reading.

Enter the link into your browser.

The full manual is available for immediate download.

**<https://www.ebooklibonline.com>**