

COUNTERWEIGHTS

Fig.	P/n	QTY	Name
------	-----	-----	------

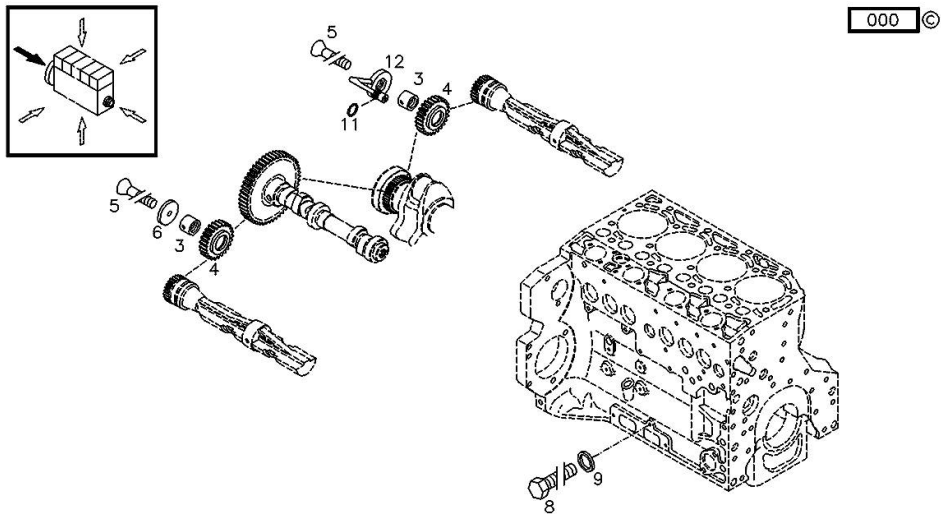
Notes:

[Fortis 150.4 -> WSXV360200LS50010]

Engine serial number:

22000507 22000508 22000573

3	04288828	2	journal
4	04294449	2	gear
5	01181673	2	screw
			H 2091 -7991-M8X45-10.9-GESCHW-MK-1.0
6	04255410	1	ring
8	01148220	2	valve
			ISO 4017 -M8X10-8.8-ZNAL-A
9	01118647	2	oil seal 8x11,5 d7603
			DIN 7603 -A8X11,5-CU
11	01181582	1	shoulder ring
			H 2927 -7X1,5-ACM-1-70
12	04255412	1	pin



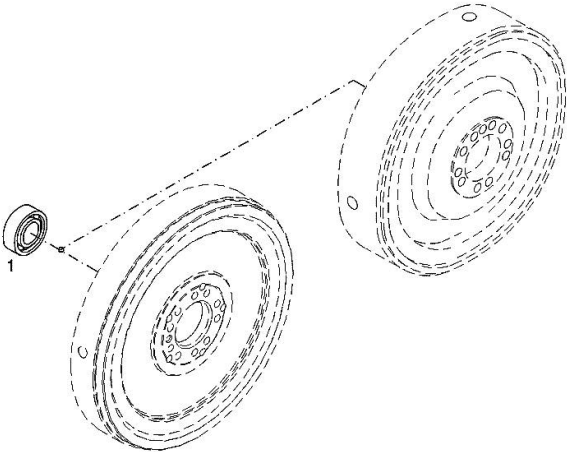
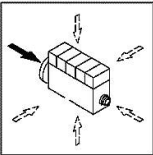
ACCESSORIES

Fig.	P/n	QTY	Name
------	-----	-----	------

Notes:
 [Fortis 150.4 -> WSXV360200LS50010]

Engine serial number:
 22000507 22000508 22000573

1	01136432	1	ball bearing DIN 625 -6304-2RS1
---	----------	---	------------------------------------



001 ©

MAIN BEARINGS

Fig.	P/n	QTY	Name
------	-----	-----	------

Notes:

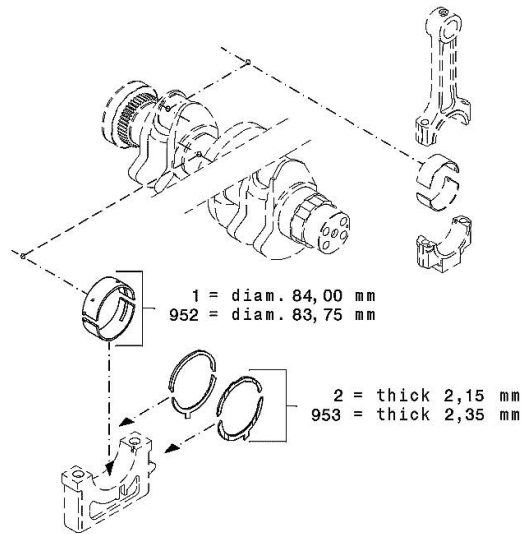
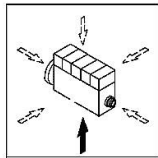
[Fortis 150.4 -> WSXV360200LS50010]

Engine serial number:

22000507 22000508 22000573

1	02931580	5	main bearing STANDARD STANDARD (A) MM RD, UNDERSIZE SEE POS. (B) A = 84.00 MM B = POS. 952
2	02931585	2	shoulder ring STANDARD STANDARD (A) MM, OVERSIZE SEE POS. (B) POS. (B) A = 2.15 MM B = Pos. 953
952	02931583	5	main bearing - mm 0.25 1st UNDERSIZE A = 83.75 MM
953	02931586	2	shoulder ring 1st OVERSIZE A = 2.35 MM

002 ©



<https://www.ebooklibonline.com>

Hello dear friend!

Thank you very much for reading.

Enter the link into your browser.

The full manual is available for immediate download.

<https://www.ebooklibonline.com>

PISTON

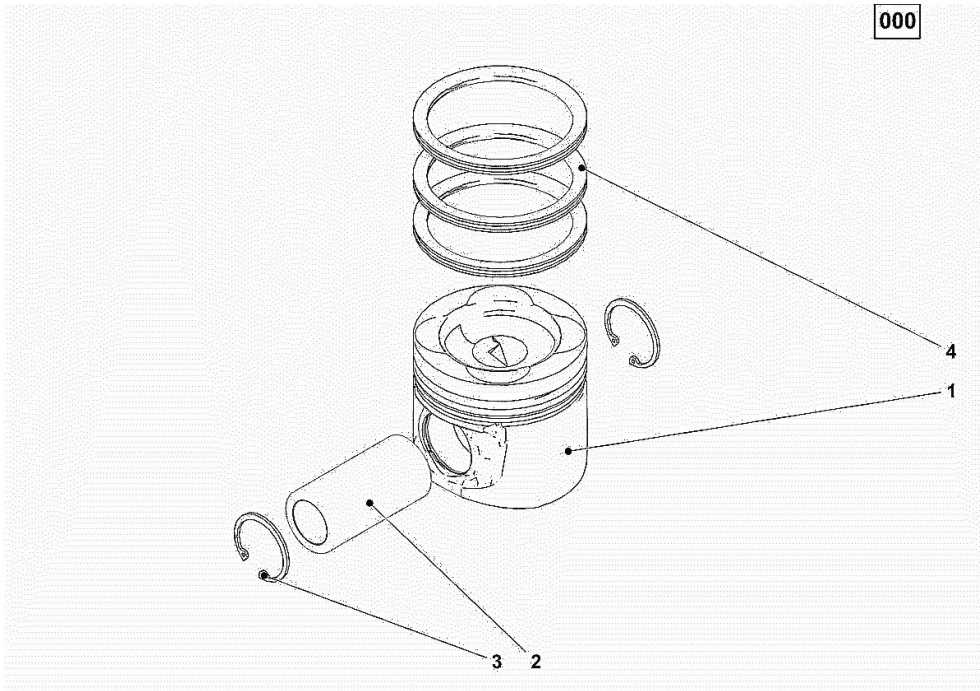
Fig.	P/n	QTY	Name
------	-----	-----	------

Notes:

[Fortis 150.4 -> WSXV360200LS50010]

Engine serial number:

22000507 22000508 22000573



1	04509329	1	piston WITH POS.... (2-4)
2	00667126	1	piston pin
3	01148841	2	circlip DIN 472 -40X1,75*
4	04509331	1	piston ring set

CONNECTING ROD

Fig.	P/n	QTY	Name
------	-----	-----	------

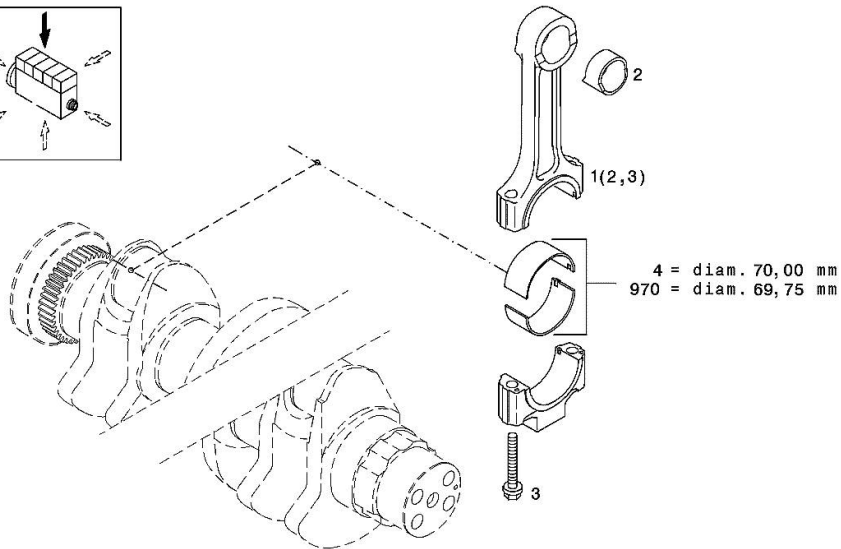
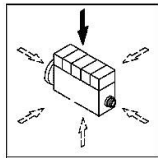
Notes:

[Fortis 150.4 -> WSXV360200LS50010]

Engine serial number:

22000507 22000508 22000573

1	04293425	1	connecting rod WITH POS.... (2,3)
2	04288314	1	bushing
3	04284184	2	screw 30 Nm , 60° , 60°
4	02931578	1	conrod bearing STANDARD NORMALE (A) MM RD, MINORAZIONE VEDERE POS. (B) A = 70.00 MM B = Pos.970
970	02931579	1	conrod bearing - mm 0.25 1st UNDERSIZE N A = 69.75 MM



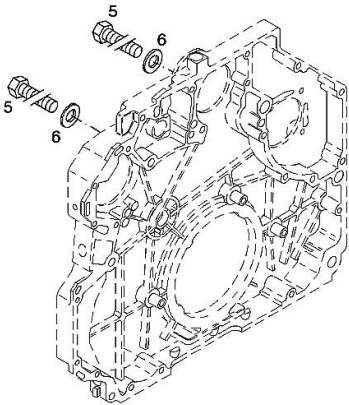
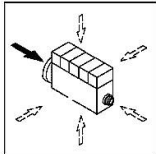
FASTENINGS

Fig.	P/n	QTY	Name
------	-----	-----	------

Notes:
 [Fortis 150.4 -> WSXV360200LS50010]

Engine serial number:
 22000507 22000508 22000573

5	01148131	2	screw 70 Nm ISO 4017 -M16X60-10.9-ZNAL-A
6	01107117	2	washer 17 DIN 125 -A17-140HV-A4C



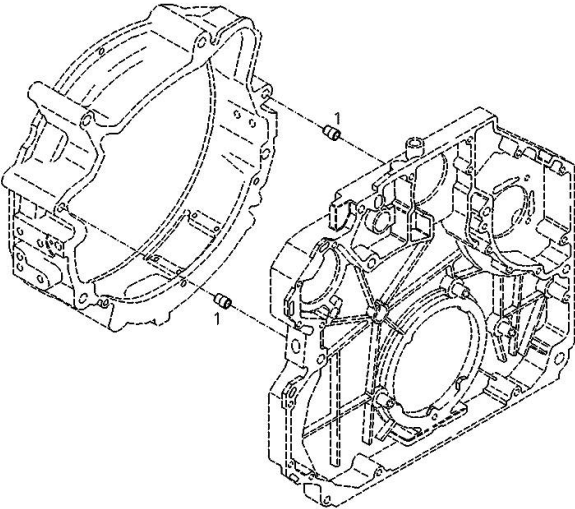
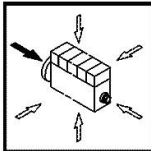
BUSH

Fig.	P/n	QTY	Name
------	-----	-----	------

Notes:
 [Fortis 150.4 -> WSXV360200LS50010]

Engine serial number:
 22000507 22000508 22000573

1	04282959	2	bush
---	----------	---	------



000 ©

0507 8284

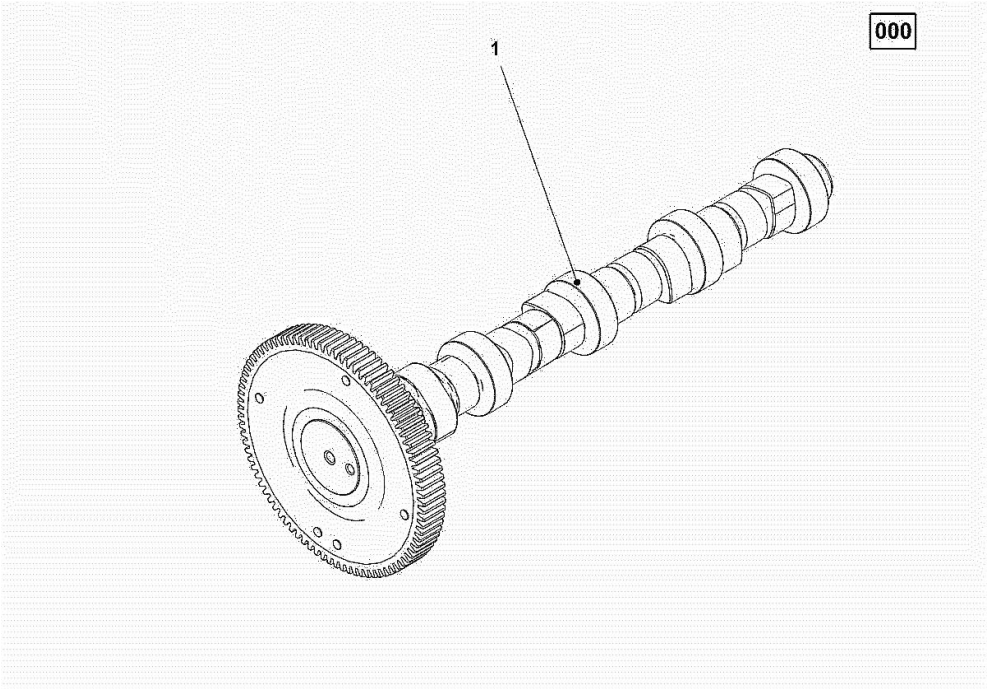
CAMSHAFT

Fig.	P/n	QTY	Name
------	-----	-----	------

Notes:
[Fortis 150.4 -> WSXV360200LS50010]

Engine serial number:
22000507 22000508 22000573

1	04506718	1	shaft
---	----------	---	-------

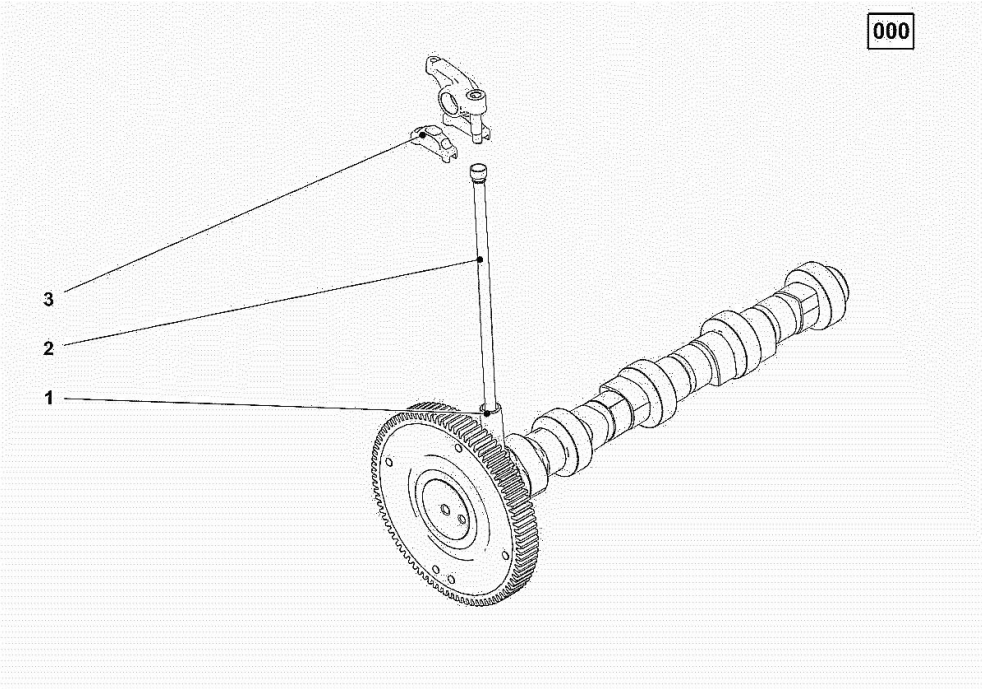


VALVE DRIVE

Fig.	P/n	QTY	Name
------	-----	-----	------

Notes:
[Fortis 150.4 -> WSXV360200LS50010]

Engine serial number:
22000507 22000508 22000573



1	04283150	8	cap
2	04501080	8	rod
3	04500016	8	rocker arm

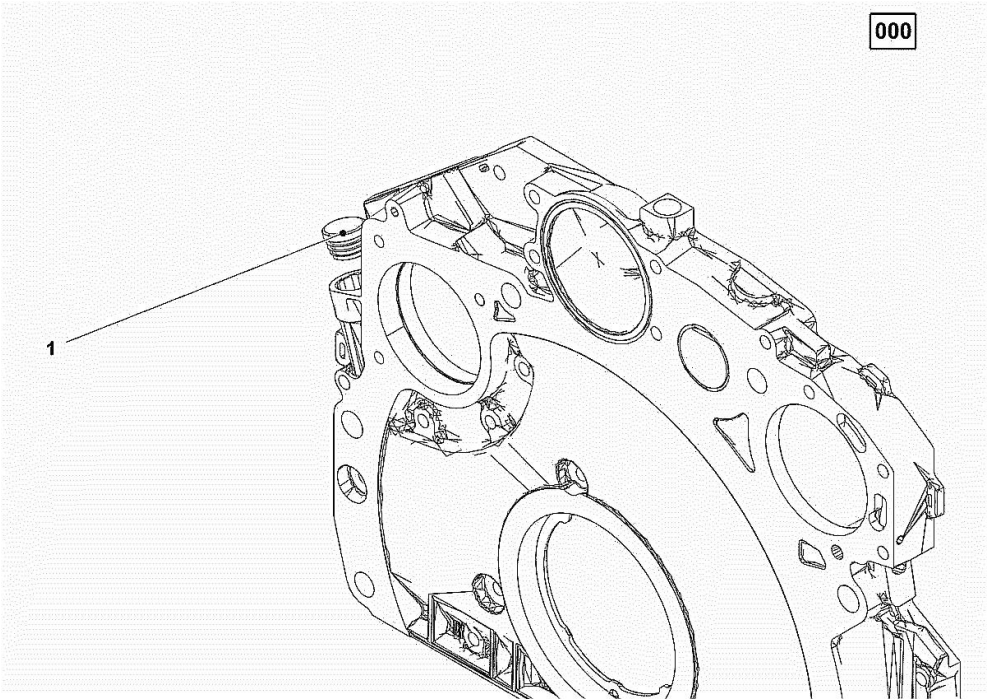
PLUG

Fig.	P/n	QTY	Name
------	-----	-----	------

Notes:
 [Fortis 150.4 -> WSXV360200LS50010]

Engine serial number:
 22000507 22000508 22000573

1	01181264	1	plug H 2870 -F3-28X14,0-PE-LLD
---	----------	---	-----------------------------------



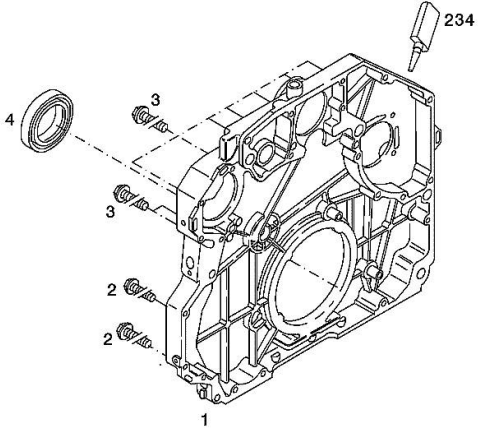
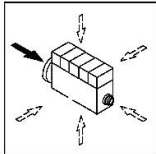
GEARCASE

Fig.	P/n	QTY	Name
------	-----	-----	------

Notes:
 [Fortis 150.4 -> WSXV360200LS50010]

Engine serial number:
 22000507 22000508 22000573

1	04291432	1	plate
2	01143362	12	screw 30 Nm EN 1662 -F-M8X35-10.9-A4C
3	01181437	9	screw 30 Nm EN 1662 -F-M8X45-10.9-ZNAL-A
4	04502203	1	ring
234	01016024	1	gasket H 0699 -DEUTZDW67-50ML



VENTILSTEUERUNG

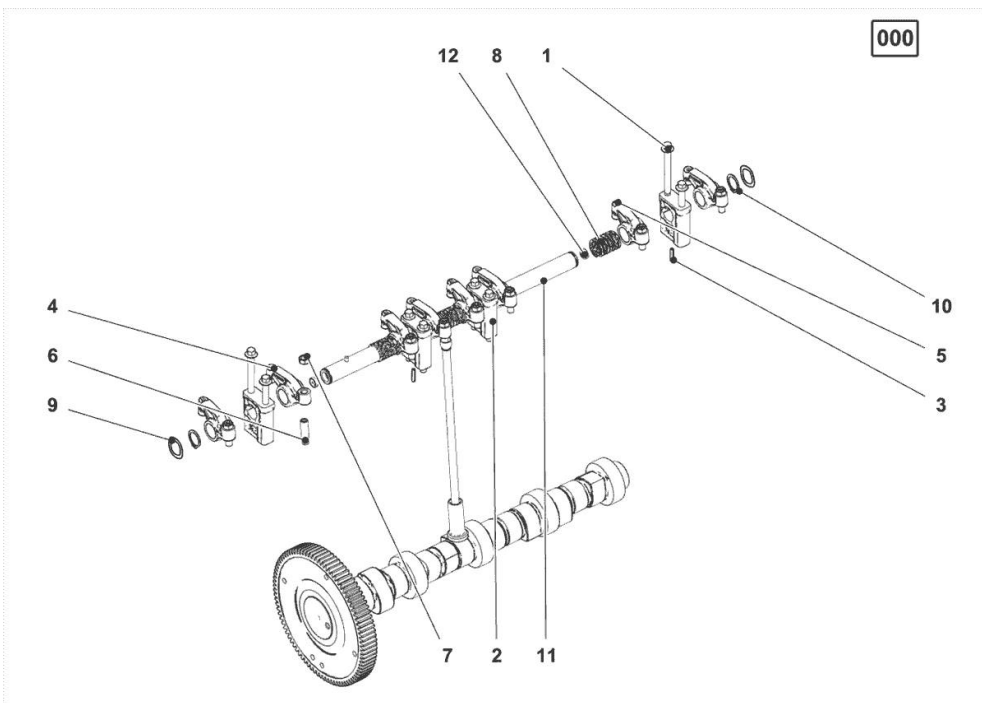
Fig.	P/n	QTY	Name
------	-----	-----	------

Notes:

[Fortis 150.4 -> WSXV360200LS50010]

Engine serial number:

22000507 22000508 22000573



1	01181435	8	screw 20 Nm , 30 Nm EN 1662 -F-M8X75-10.9-ZNAL-A*
2	04501728	4	support
3	01144117	2	pin ISO 8750 -5X20-ST
4	04501050	4	rocker arm MIT POS.... (6,7)
5	04501048	4	rocker arm MIT POS.... (6,7)
6	04902838	8	register
7	02109637	8	nut 20 Nm
8	04901080	3	spring
9	04504710	2	washer
10	01107732	2	circlip DIN 471 -22X1,2
11	04502015	1	rod MIT POS.... (12)
12	01180113	2	plug DIN 443 -14
950	04504712	1	none MIT POS.... (1-12)

FASTENINGS

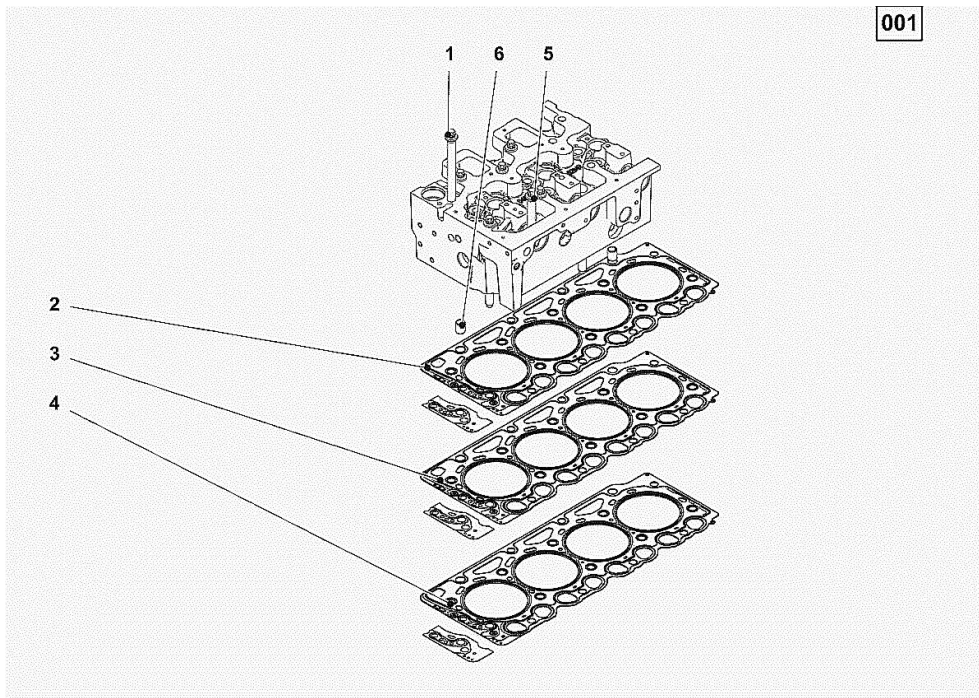
Fig.	P/n	QTY	Name
------	-----	-----	------

Notes:

[Fortis 150.4 -> WSXV360200LS50010]

Engine serial number:

22000507 22000508 22000573



1	04501930	14	screw 40 Nm ,70 Nm, 150°
2	04504793	1	gasket DEPENDING ON THE MEASUREMENT, GASKET THICKNESS DELIVERY STATUS (A)= ...MM ASSEMBLY STATUS (B)= ...MM FOR OTHER THICKNESSES SEE POS. (C) A = 1.30 mm
3	04504794	1	gasket DEPENDING ON THE MEASUREMENT, GASKET THICKNESS DELIVERY STATUS (A)= ...MM ASSEMBLY STATUS (B)= ...MM FOR OTHER THICKNESSES SEE POS. (C) A = 1.40 mm
4	04504795	1	gasket DEPENDING ON RESULTS OF THE MEASUREMENT, GASKET THICKNESS DELIVERY CONDITION (A)= ...MM ASSEMBLY CONDITION (B)= ...MM FOR OTHER THICKNESSES REFER TO POS. (C)
5	04251251	4	screw 40 Nm ,70 Nm, 120°
6	01181405	2	grub screw H 2341 -B15X18-FE/ZN12C*



Suggest:

For more complete manuals. Please go to the home page.

<https://www.ebooklibonline.com>

If the above button click is invalid. Please download this document first, and then click the above link to download the complete manual.

Thank you so much for reading

MOTORAUFHAENGUNG

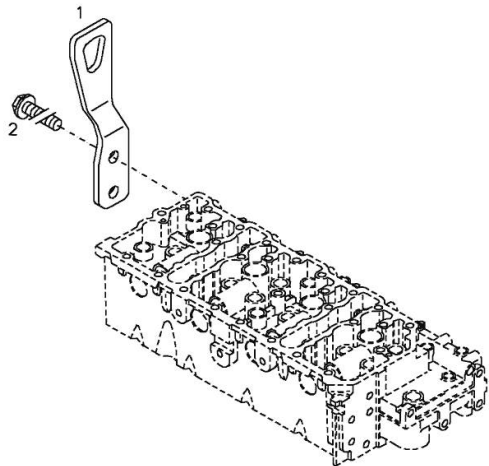
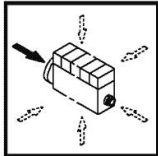
Fig.	P/n	QTY	Name
------	-----	-----	------

Notes:
 [Fortis 150.4 -> WSXV360200LS50010]

Engine serial number:
 22000507 22000508 22000573

2	01183652	2	screw 40.5 Nm EN 1662 -F-M10X25-10.9-ZNAL-A
1	04289469	1	bracket

000 ©



CYLINDER HEAD

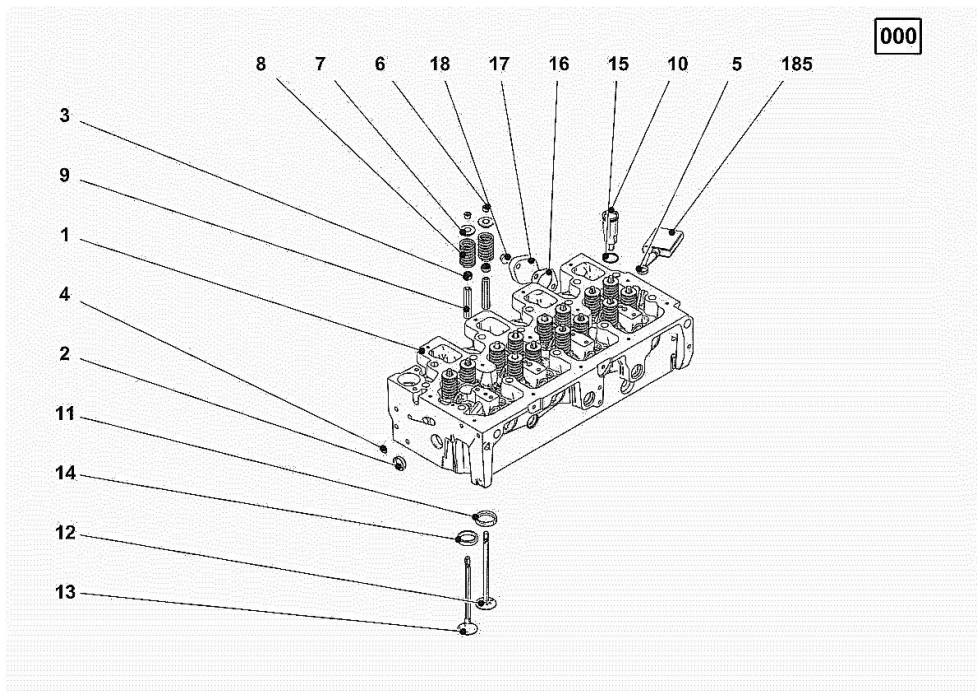
Fig.	P/n	QTY	Name
------	-----	-----	------

Notes:

[Fortis 150.4 -> WSXV360200LS50010]

Engine serial number:

22000507 22000508 22000573



1	04510156	1	head WITH POS.... (2-18)
2	01165830	4	plug H 711 -B25
3	04153728	16	gasket
4	01182778	2	plug H 711 -B12-7*
5	01165828	10	stop H 711 -B20
6	02108102	32	half shell H 7020 -MK8
7	04250029	16	cup
8	04250396	16	spring
9	04908629	16	valve guide
10	04904885	4	bushing
11	04504789	8	valve seat
12	04500651	8	inlet valve
13	04501941	8	exhaust valve
14	04501935	8	valve seat
15	01182790	4	circlip H 2927 -23,6X2,0-FPM-1-70
16	01120818	1	gasket DIN 71511 -35X58X1-DEUTZDW20
17	01215164	1	flange DIN 71501 -B0X58-1
18	01181433	2	screw 30 Nm EN 1662 -F-M8X20-LG2,5-10.9-ZNAL-A
185	01319910	1	guard

<https://www.ebooklibonline.com>

Hello dear friend!

Thank you very much for reading.

Enter the link into your browser.

The full manual is available for immediate download.

<https://www.ebooklibonline.com>