

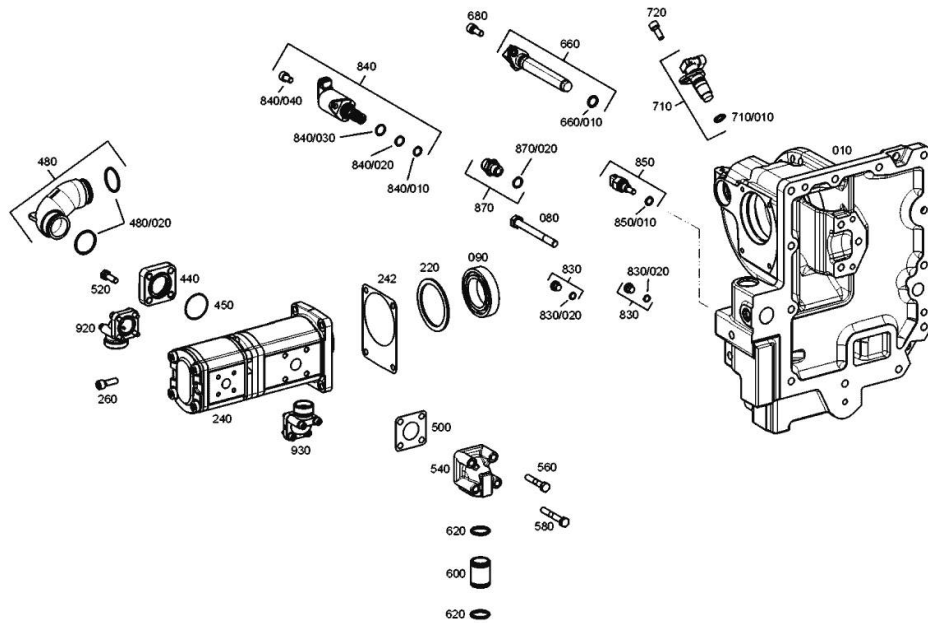
FORTIS 150.4 Infinity ->WSXAP40200LS50010

Section: D0 - TRANSMISSION

Ref: 0.019.1522.4/10

PUMP DRIVE - 2093 011 006

Fig.	P/n	QTY	Name
10	0.900.2053.3	1	box
80	0.010.2872.0	1	screw m 10 x 100
90	04415834	2	ball bearing
220	04417130	1	washer mm 3.00
240	0.900.2045.2	1	pump
242	04415921	1	gasket
260	01110576	4	screw
440	0.900.0051.2	1	flange
450	0.900.0051.3	1	oil seal
480	0.900.0051.4	1	manifold
480.20	0.010.3728.0	1	oil seal 33x2.5
500	04415827	1	gasket
520	04434498	4	screw m 8 x 25
540	04415836	1	manifold
560	04434549	2	screw m 8 x 45
580	0.010.3782.2	2	screw m 8 x 55
600	0.900.2050.3	1	tube
620	04415838	2	ring 23X2.5
660	04438436	1	speed sensor L = 125,1mm
660.10	04417747	1	oil seal 15.54x2.62
680	04434551	1	screw m 8 p.1.25 x 20
710	0.010.2874.2	1	speed sensor
710.10	04417747	1	oil seal 15.54x2.62
720	04434551	1	screw m 8 p.1.25 x 20
830	0.900.2136.4	2	plug
830.20	04415683	1	oil seal 8x1.5
840	0.900.0952.8	1	solenoid valve DV
840.10	0.900.1377.6	1	gasket 13 x 1.5
840.20	0.900.1377.5	1	gasket 12,4 x 1,78
840.30	0.900.1377.7	1	gasket 14x1.78
840.40	0.900.1377.8	1	screw m 8 x 16
850	0.900.0800.6	1	temperature gauge
850.10	0.900.0801.6	1	ring 11x2 ZFN 744 FPM-80-10
870	0.900.1381.5	1	vent
870.20	02315162	1	oil seal 13x2
920	0.900.1459.5	1	flange
930	0.900.1466.2	1	flange



FORTIS 150.4 Infinity ->WSXAP40200LS50010

Section: D0 - TRANSMISSION

Ref: 0.019.1522.4/10

PUMP DRIVE - 2093 011 006

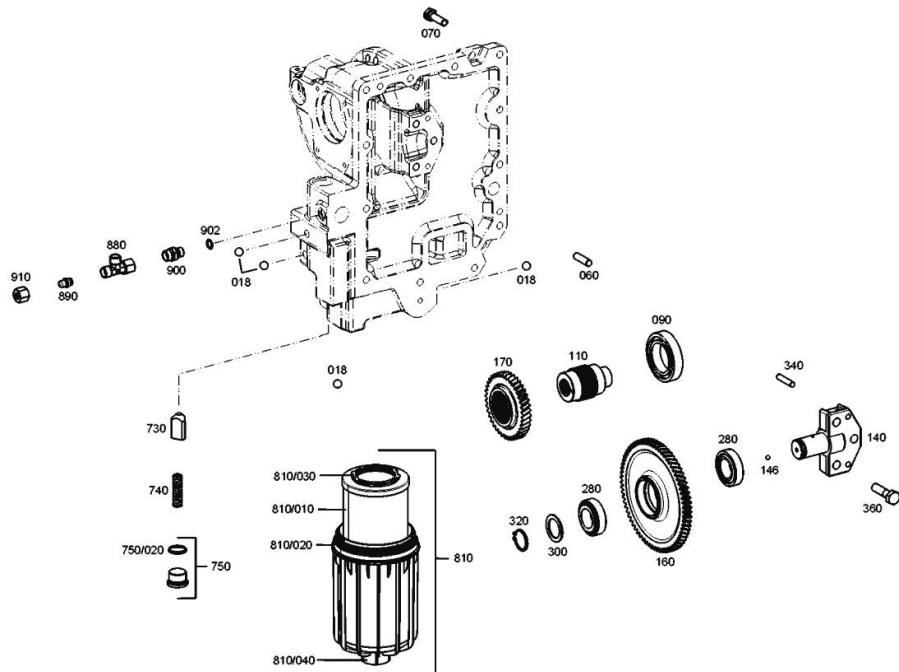
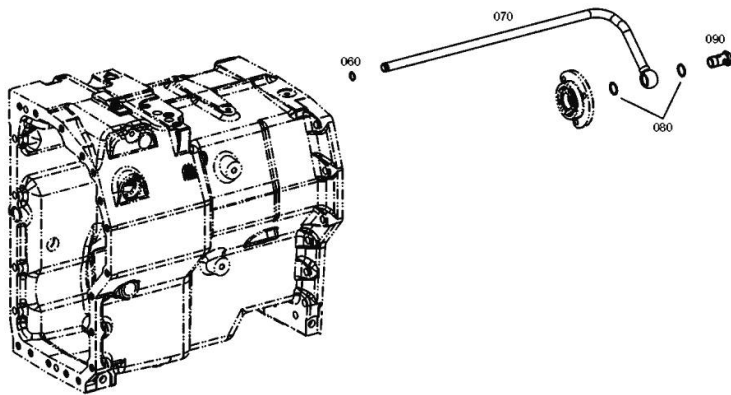


Fig.	P/n	QTY	Name
18	04415830	4	ball 12 mm
60	04415833	2	cylindrical plug 10 m 6x35
70	04434540	11	screw m 10 x 35
90	04415834	1	ball bearing
110	0.900.0488.6	1	bush z=38
140	04415918	1	bearing block
146	04415919	1	ball
160	0.900.0884.6	1	gear z=71
170	0.900.0884.7	1	gear z=39
280	04415821	2	ball bearing
300	04416775	1	shim mm 2.50
300	04416776	1	shim mm 2.00
300	04416777	1	shim mm 2.40
300	04416778	1	shim mm 2.50
300	04417056	1	shim mm 2.10
300	04417115	1	shim mm 2.05
300	04417117	1	shim mm 2.15
300	04417118	1	shim mm 2.20
300	04417119	1	shim mm 2.25
300	04417120	1	shim mm 2.30
300	04417121	1	shim mm 2.35
300	04417123	1	shim mm 2.45
300	04417126	1	shim mm 1.85
300	04417127	1	shim mm 1.90
300	04417128	1	shim mm 1.95
320	0.010.2621.1	1	circlip 30x2
340	04415823	2	screw 8 m 6x36
360	04431795	3	screw
730	0.900.0489.2	1	cone
740	04415955	1	spring
750	04434341	1	plug
750.20	04436328	1	oil seal 23x2
810	0.900.0119.6	1	oil filter
			☞ 0.900.0119.6
810.10	0.900.0374.4	1	hydr.oil filter elem.
810.20	0.900.0379.1	1	gasket
810.30	0.900.0466.4	1	oil seal
810.40	0.900.0466.5	1	plug
880	0.900.2123.7	1	pipe fitting
890	0.900.1638.1	1	plug
900	0.900.0282.2	1	pipe union
902	0.010.2627.1	1	oil seal 11x2
910	04417784	1	nut

HYDRAULIC SYSTEM - 2093 011 006

Fig.	P/n	QTY	Name
60	02968175	1	oil seal 15x2
70	04415922	1	tube
80	0.010.2622.0	2	gasket 22 x 27
90	04415923	1	pipe union 18 DIN 7643



<https://www.ebooklibonline.com>

Hello dear friend!

Thank you very much for reading.

Enter the link into your browser.

The full manual is available for immediate download.

<https://www.ebooklibonline.com>

TRANSMISSION - 2093 011 006

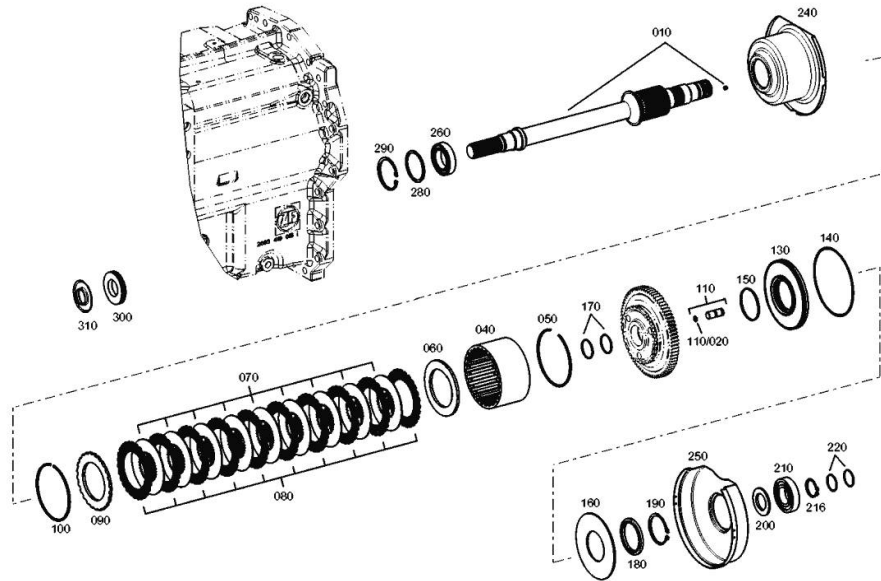


Fig.	P/n	QTY	Name
10	0.900.2048.6	1	shaft
40	04416804	1	support z = 27
50	0.900.0985.1	1	circlip
60	0.010.2875.2	1	shim mm 7.3
60	04416588	1	shim mm 5.5
60	04416589	1	shim mm 5.7
60	04416590	1	shim mm 5.9
60	04416591	1	shim mm 6.1
60	04416592	1	shim mm 6.3
60	04416593	1	shim mm 6.5
60	04416594	1	shim mm 6.7
60	04416595	1	shim mm 6.9
60	04416596	1	shim mm 7.1
60	04416598	1	shim mm 7.5
60	04416599	1	shim mm 7.7
60	04416600	1	shim mm 7.9
60	04416601	1	shim mm 8.1
60	04416602	1	shim mm 8.3
60	04416603	1	shim mm 8.5
60	04416604	1	shim mm 8.7
70	04415930	9	disc
80	0.900.1498.0	10	disc
90	04415932	1	disc
100	04415933	1	circlip mm 2.5
110	0.010.2876.0	3	pin
110.20	0.010.3258.2	1	oil seal 12x2.5
130	0.900.2050.6	1	piston
140	0.900.2046.4	1	oil seal 156x3
150	0.900.2046.3	1	oil seal 70x3
160	04415938	1	spring
170	04415939	2	ring 45x2
180	04436290	1	washer
190	0.010.2876.1	1	circlip 68x2.5
200	04415941	1	washer
210	04415942	1	bearing
216	0.010.2876.2	1	circlip 40x2.5
220	04416364	2	ring 40x2
240	04415945	1	plate
250	0.900.1357.1	1	guard
260	0.010.2877.0	1	ball bearing
280	0.010.3259.0	1	washer mm 2.00
280	0.010.3259.1	1	washer mm 2.05
280	0.010.3259.2	1	washer mm 2.10
280	0.010.3260.0	1	washer mm 2.15

FORTIS 150.4 Infinity ->WSXAP40200LS50010

Section: D0 - TRANSMISSION

Ref: 0.019.1522.4/10

TRANSMISSION - 2093 011 006

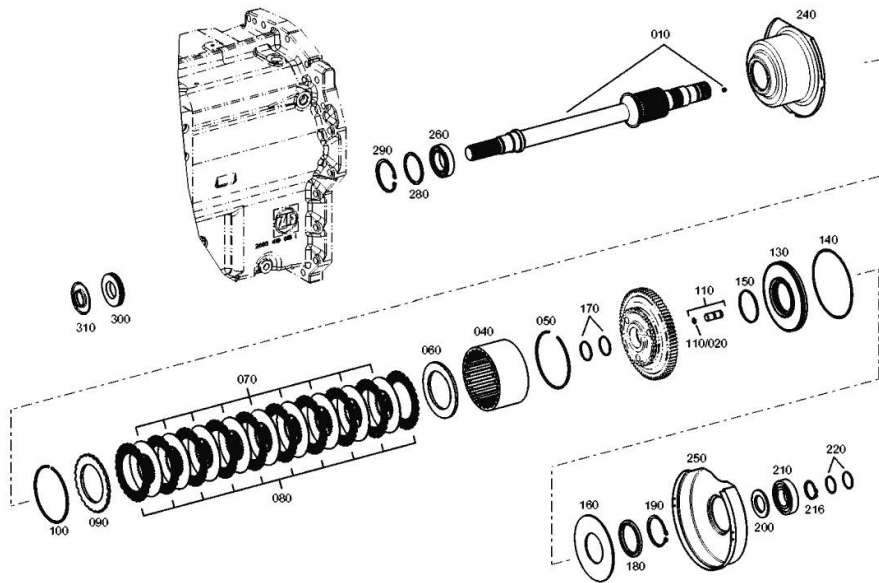


Fig.	P/n	QTY	Name
280	0.010.3260.1	1	washer mm 2.25
280	0.010.3260.2	1	washer mm 2.35
280	0.010.3261.0	1	washer mm 2.45
280	0.010.3261.1	1	washer mm 2.55
280	0.010.3261.2	1	washer mm 2.65
280	0.900.2047.2	1	disc S = 1.70
280	0.900.2047.3	1	disc S = 1.80
280	0.900.2047.4	1	disc S = 1.90
280	04417009	1	washer mm 2.20
280	04417010	1	washer mm 2.30
280	04417011	1	washer mm 2.40
280	04417012	1	washer mm 2.50
280	04417013	1	washer mm 2.60
280	04417014	1	washer mm 2.70
280	04417015	1	washer mm 2.80
280	04424426	1	washer mm 2.90
280	04424427	1	washer mm 3.00
280	04424428	1	washer mm 3.10
280	04424429	1	washer mm 3.20
290	04415949	1	circlip 75x3
300	04415950	1	oil seal
310	04415951	1	plate

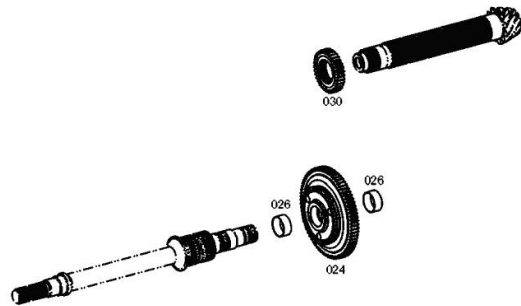
FORTIS 150.4 Infinity ->WSXAP40200LS50010

Section: D0 - TRANSMISSION

Ref: 0.019.1522.4/10

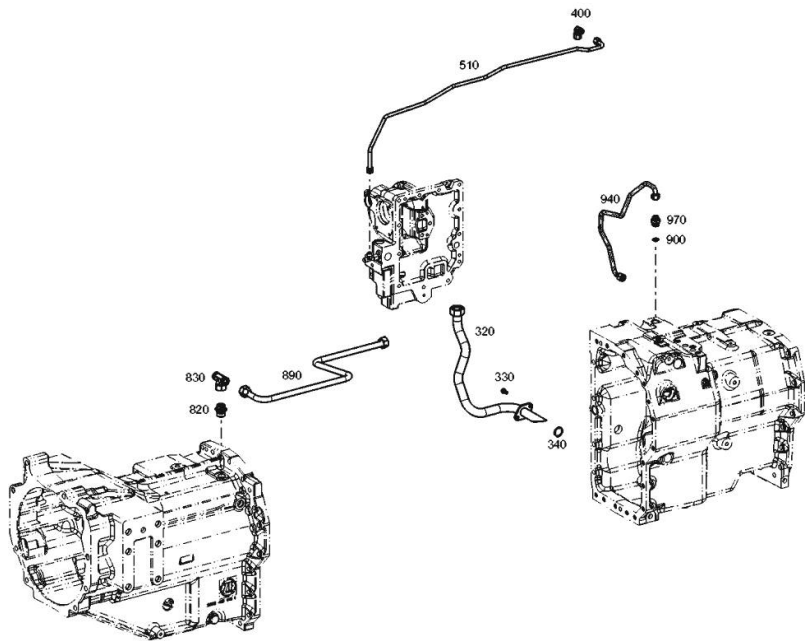
TRANSMISSION - 2093 011 006

Fig.	P/n	QTY	Name
24	0.900.2050.7	1	gear z = 61
26	04434385	2	bushing
30	04418573	1	gear Z = 31



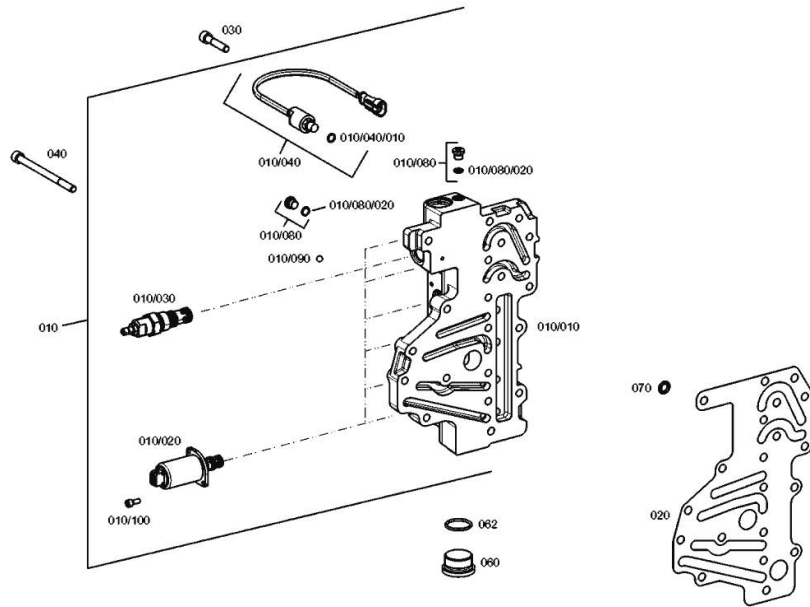
HYDRAULIC SYSTEM - 2093 011 006

Fig.	P/n	QTY	Name
320	0.900.1462.2	1	tube kpl.
330	04434497	2	screw m 8 x 18
340	0.010.3257.2	1	gasket 28x2.5
400	0.010.2877.2	1	pipe fitting EEL 10
510	0.900.2048.0	1	tube
820	0.010.2878.2	1	pipe fitting
830	0.900.2047.0	1	pipe fitting
890	0.900.2048.1	1	tube
900	04438451	1	small mesh
940	0.900.0954.2	1	tube
970	0.010.3805.0	1	vent



HYDRAULIC SYSTEM - 2093 011 006

Fig.	P/n	QTY	Name
10	0.900.2048.4	1	hydraulic control block
10.10	0.900.2050.8	1	hydraulic control block
10.20	0.900.2045.8	6	regulator
10.30	0.900.2045.3	1	valve
10.40	04431690	1	pressure switch
10.40.10	04415683	1	oil seal 8x1.5
10.80	0.900.2136.4	7	plug
10.80.20	04415683	1	oil seal 8x1.5
10.90	0.900.2046.5	6	ball Ø mm 7
10.100	04434506	12	screw m 5 x 12
20	0.900.2050.9	1	gasket
30	0.900.2046.8	12	screw m8x40
40	0.900.2046.9	6	screw m8x115
60	0.900.2123.8	1	screw m 33 x 2
62	04415825	1	ring 30x2.5
70	01295714	1	ring 10X3



POWER SHIFT - 2093 011 006

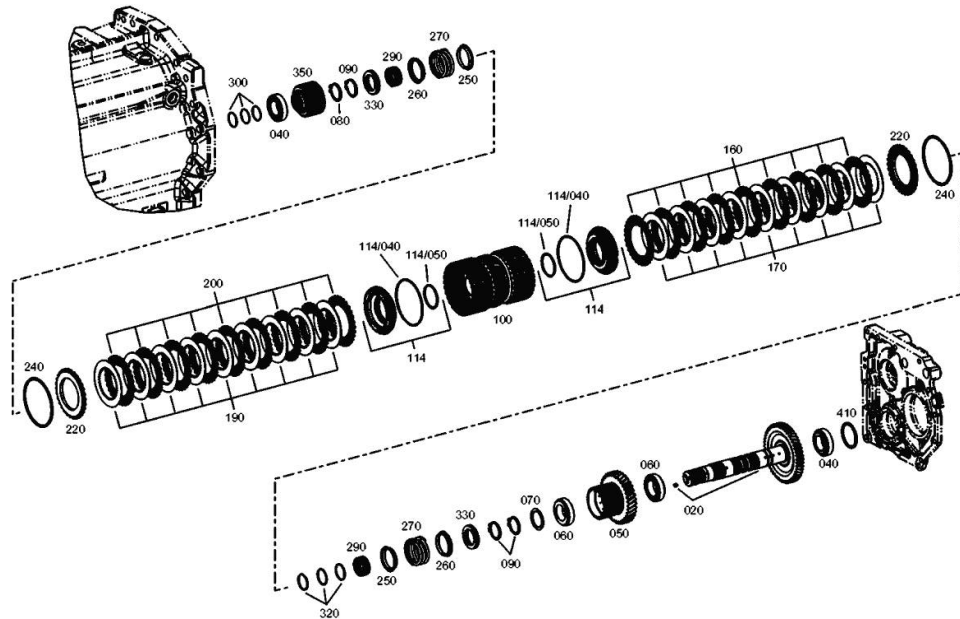


Fig.	P/n	QTY	Name
20	0.900.2048.7	1	shaft
40	04416358	2	roller bearing
50	0.900.0955.6	1	gear wheel
60	04416950	2	bearing
70	0.010.2886.0	1	washer mm 1.175
70	0.010.2886.1	1	washer mm 1.15
70	04417016	1	washer mm 1.2
70	04417017	1	washer mm 1.25
70	04417018	1	washer mm 1.30
70	04417019	1	washer mm 1.35
70	04417020	1	washer mm 1.4
70	04417021	1	washer mm 1.45
70	04417022	1	washer mm 1.5
70	04417023	1	washer mm 1.55
70	04417024	1	washer mm 1.60
70	04417025	1	washer mm 1.65
70	04417026	1	washer mm 1.7
70	04417027	1	washer mm 1.75
70	04417028	1	washer mm 1.80
70	04417029	1	shim mm 1.225
70	04417030	1	shim mm 1.275
70	04417031	1	shim mm 1.325
70	04417032	1	shim mm 1.375
70	04417033	1	shim mm 1.425
70	04417034	1	shim mm 1.475
70	04417035	1	shim mm 1.525
70	04417036	1	shim mm 1.575
70	04417037	1	shim mm 1.625
70	04417038	1	shim mm 1.675
70	04417039	1	shim mm 1.725
70	04417040	1	shim mm 1.775
80	04416951	1	circlip
90	0.010.3347.1	3	circlip 38x2.5
100	0.900.0883.5	1	support
114	04431746	2	piston
114.40	04419762	1	oil seal 104x3
114.50	04419763	1	oil seal 50x3
160	04416760	9	clutch plate AV 35
170	04416967	9	clutch plate
190	04416967	9	clutch plate
200	04416760	9	clutch plate AV 35
220	04416763	2	disc
240	0.900.0801.9	1	circlip A=2,75
240	0.900.0802.0	1	circlip A=3,25



Suggest:

For more complete manuals. Please go to the home page.

<https://www.ebooklibonline.com>

If the above button click is invalid. Please download this document first, and then click the above link to download the complete manual.

Thank you so much for reading

POWER SHIFT - 2093 011 006

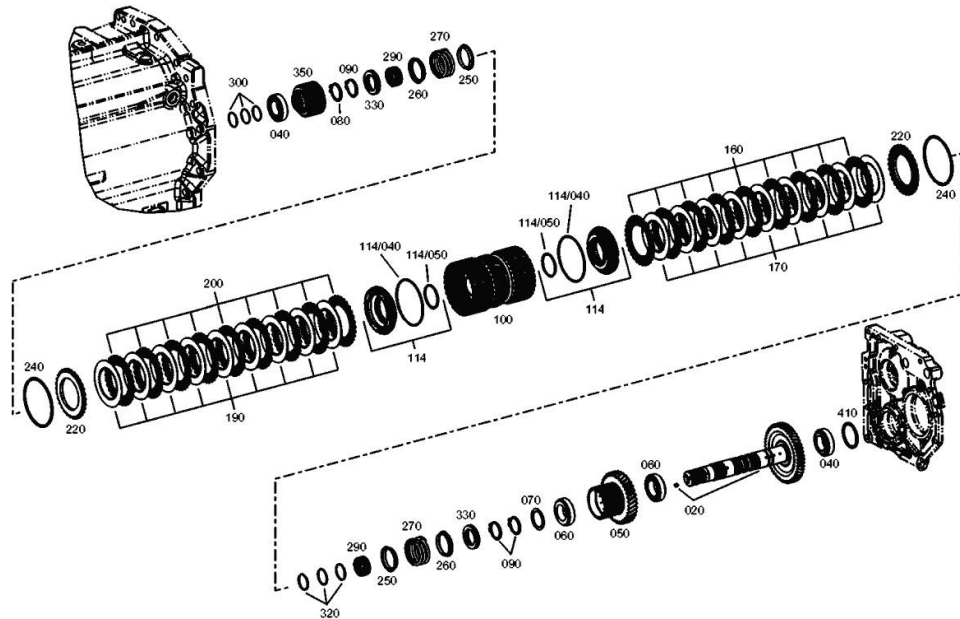


Fig.	P/n	QTY	Name
240	0.900.0802.1	1	circlip A=2,25
240	04416765	1	circlip A = 2.0
240	04416766	1	circlip A = 2.5
240	04416767	1	circlip A = 3.0
240	04416768	1	circlip A = 3.5
250	04416953	2	ring
260	04416954	2	ring
270	04416759	2	spring
290	04416955	2	roller cage
300	04415761	3	ring 35x2
320	04416956	3	ring 38/35.2x2
330	04416957	2	bearing
350	04416958	1	plate carrier Z = 36
410	04417041	1	washer mm 1.90
410	04417042	1	washer mm 1.95
410	04417043	1	washer mm 2.00
410	04417044	1	washer mm 2.05
410	04417045	1	washer mm 2.10
410	04417046	1	washer mm 2.15
410	04417047	1	washer mm 2.20
410	04417048	1	washer mm 2.25
410	04417049	1	washer mm 2.30
410	04417050	1	washer mm 2.35
410	04417051	1	washer mm 2.40
410	04417052	1	washer mm 2.45
410	04417053	1	washer mm 2.50
410	04417054	1	washer mm 2.55
410	04417055	1	washer mm 2.60
410	04424430	1	washer mm 2.65
410	04424431	1	washer mm 2.70
410	04424432	1	washer mm 2.75
410	04424433	1	washer mm 2.80
410	04424434	1	washer mm 2.85
410	04424435	1	washer mm 2.90

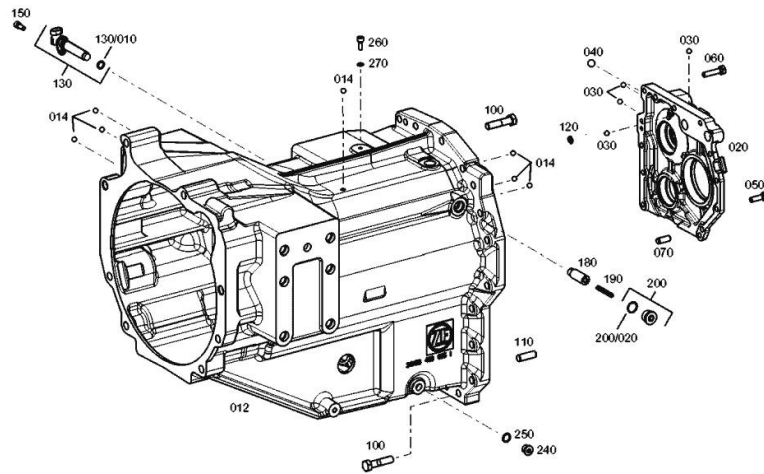
FORTIS 150.4 Infinity ->WSXAP40200LS50010

Section: D0 - TRANSMISSION

Ref: 0.019.1522.4/10

GEARBOX - 2093 011 006

Fig.	P/n	QTY	Name
12	0.900.2050.2	1	clutch housing
14	04417322	7	ball
20	04419771	1	cover
30	04417322	4	ball
40	04416962	1	ball
50	0.010.2616.1	7	screw m 10x32
60	0.010.2886.2	3	screw m 10 p.1.5 x 45
70	0.010.2887.0	2	pin 12x32
100	0.900.0290.9	20	screw m 14 x 60
110	04415073	2	cylindrical plug 14 m 6x40
120	01295714	2	ring 10X3
130	04438449	1	position sensor L = 94,8mm
130.10	04417747	1	oil seal 15.54x2.62
150	04434551	1	screw m 8 p.1.25 x 20
180	04415971	1	small piston
190	04416991	1	spring
200	04434392	1	plug
200.20	04436296	1	ring 21x2
240	0.010.2909.0	1	plug m 16 p.1.5
250	04436331	1	oil seal 16 x 20
260	04434551	1	screw m 8 p.1.25 x 20
270	0.900.2053.7	1	ring



<https://www.ebooklibonline.com>

Hello dear friend!

Thank you very much for reading.

Enter the link into your browser.

The full manual is available for immediate download.

<https://www.ebooklibonline.com>