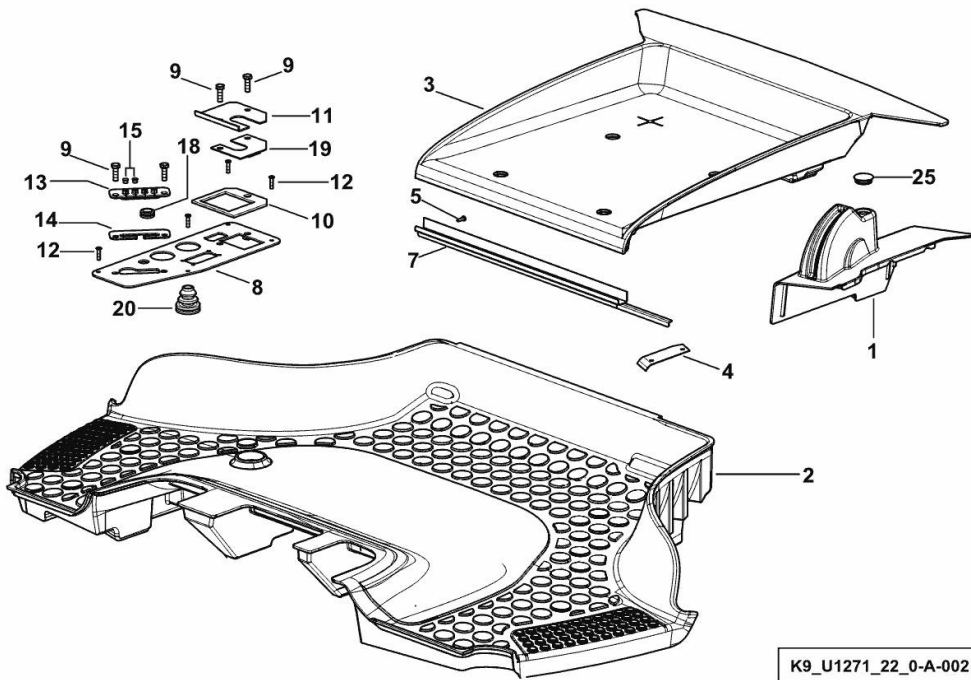


**CAB FLOOR COVERING**

Fig.	P/n	QTY	Name
------	-----	-----	------

Notes:  
[FORTIS 140.4]

1	0.020.1422.0S	1	cover
2	0.012.6504.2/10	1	mat
3	04429039/10	1	mat
4	0.018.0181.0	1	bracket
5	04426906	1	screw 4.2x16
7	04429938	1	channel
8	0.019.3556.3/10	1	plate
9	2.0114.209.2	4	screw m 8 x 25
10	0.015.6237.0	1	gasket
11	0.015.3731.0/30	1	plate
12	01176029	4	rivet a5x21 h2416
13	04429293	1	gasket
14	04429437	1	plate
15	01167308	2	plug 7.2x5.2x9
18	2.6569.056.0	1	grommet
19	0.017.5546.2	1	bracket
20	06544636	2	bellows
25	2.3199.326.0	1	plug



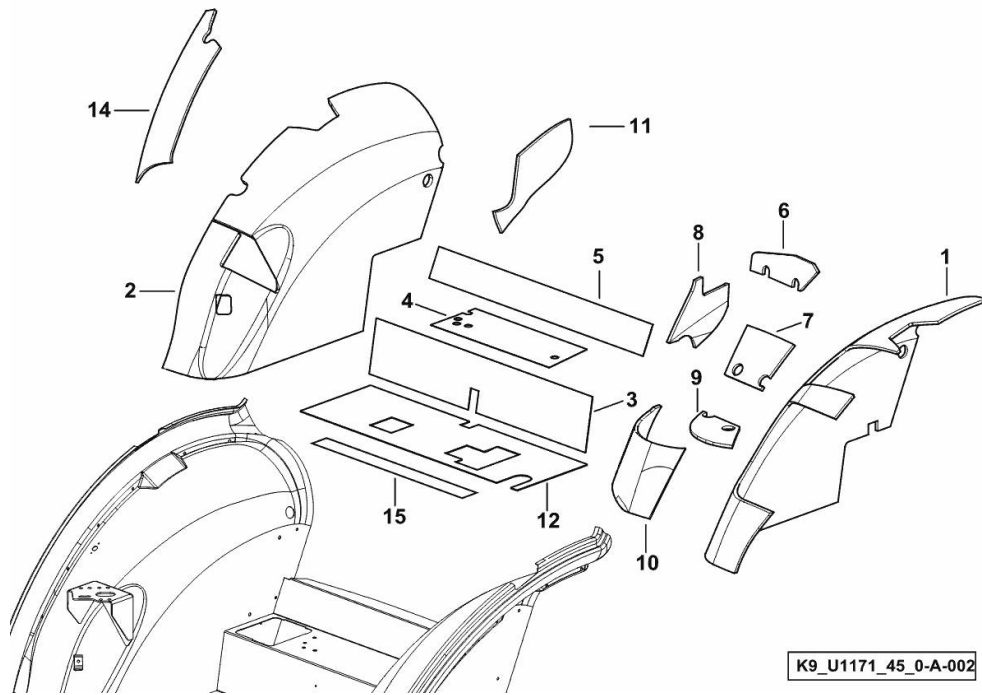
K9\_U1271\_22\_0-A-002

Section: G0 - BODYWORK - CAB  
**CAB SOUNDPROOF PANELS**

Fig.	P/n	QTY	Name
------	-----	-----	------

Notes:  
 [FORTIS 140.4]

1	0.017.0056.0/30	1	sound deadening sx/lh/li
2	0.019.8706.0	1	sound deadening dx/rh/re
3	04439939/10	1	sound deadening
4	04439940/10	1	sound deadening
5	04439941/10	1	sound deadening
6	0.017.0079.0/10	1	sound deadening sx/lh/li
7	0.017.0065.0	1	sound deadening sx/lh/li
8	0.017.0078.0	1	sound deadening sx/lh/li
9	0.017.0064.0	1	sound deadening sx/lh/li
10	0.017.0063.0	1	sound deadening sx/lh/li
11	0.017.0075.0/10	1	sound deadening dx/rh/re
12	04439938/10	1	sound deadening
14	0.017.0069.0	1	sound deadening dx/rh/re
15	01388899	0.5	gasket



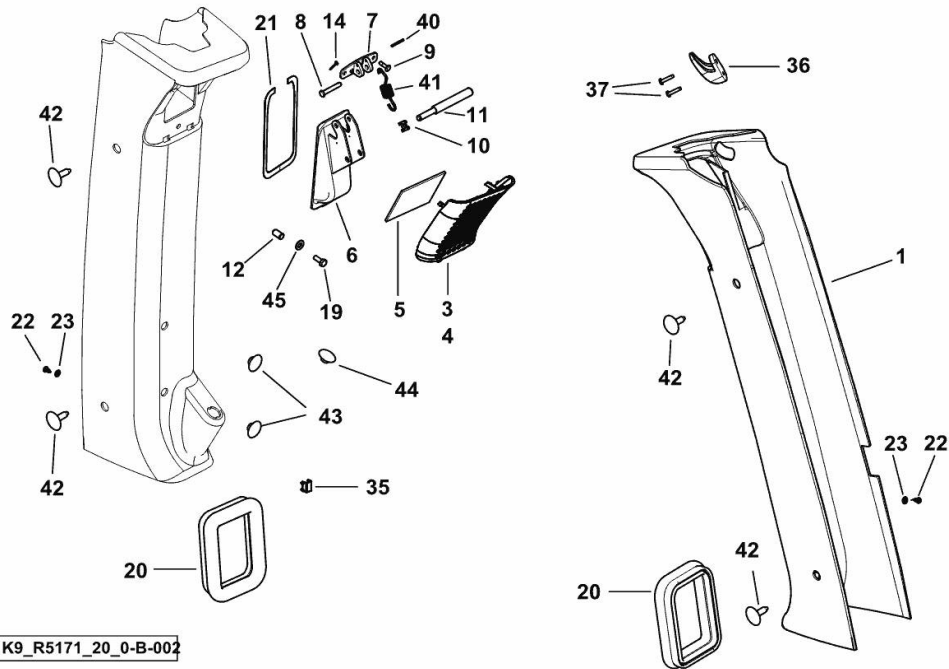
**INTERNAL CAB LININGS SX/LH/LI - DX/RH/RE**

Fig.	P/n	QTY	Name
------	-----	-----	------

**Notes:**

FOR TYPES WITH FIXED FRONT WINDSCREEN [FORTIS 140.4]

1	0.016.4301.0/20	1	lining sx/lh/li
3	0.016.4307.0	1	grille sx/lh/li
4	0.016.4305.0	1	grille dx/rh/re
5	0.011.3775.0	2	filter
6	0.010.9688.0/10	2	switch
7	0.010.9689.0/10	2	support
8	2.1671.111.2	2	pin 6x38
9	2.1856.307.0	4	rivet 4.8x12
10	2.1680.004.2	2	clip Ø 8
11	2.1699.523.2	2	pin
12	2.1142.010.2	2	insert m 6
14	2.1690.106.2	2	split pin 1.6x16
19	2.0330.407.2	2	screw m 6 p.1 x 20
20	0.011.4085.0/20	2	gasket mm 390
21	0.011.0057.0/10	2	gasket
22	2.0350.405.3	2	screw m 4.2 x 16
23	2.1310.001.2	2	flat washer 5.3 x 10
35	04418149/10	2	clip
36	0.007.6732.0	1	coat hanger
37	2.0350.255.3	2	screw m 3.5 x 16 -AB-
40	2.1630.111.0	2	roll pin 2.5x24
41	2.4049.216.2/10	2	spring
42	01175900	4	plug
43	04425759	2	cap
44	04413366	1	plug 20.6
45	2.1312.003.2	2	washer 6



**<https://www.ebooklibonline.com>**

Hello dear friend!

Thank you very much for reading.

Enter the link into your browser.

The full manual is available for immediate download.

**<https://www.ebooklibonline.com>**

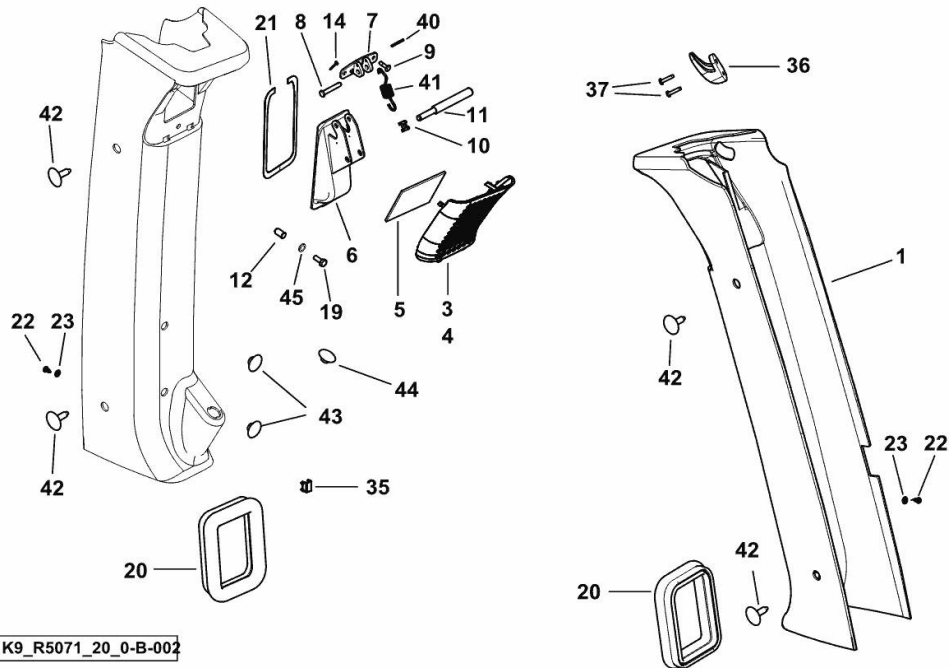
**INTERNAL CAB LININGS SX/LH/LI - DX/RH/RE**

Fig.	P/n	QTY	Name
------	-----	-----	------

**Notes:**

FOR TYPES W/ OPENABLE FRONT WINDSCREEN [FORTIS 140.4]

1	0.016.4301.0/20	1	lining sx/lh/li
3	0.016.4307.0	1	grille sx/lh/li
4	0.016.4305.0	1	grille dx/rh/re
5	0.011.3775.0	2	filter
6	0.010.9688.0/10	2	switch
7	0.010.9689.0/10	2	support
8	2.1671.111.2	2	pin 6x38
9	2.1856.307.0	4	rivet 4.8x12
10	2.1680.004.2	2	clip Ø 8
11	2.1699.523.2	2	pin
12	2.1142.010.2	2	insert m 6
14	2.1690.106.2	2	split pin 1.6x16
19	2.0330.407.2	2	screw m 6 p.1 x 20
20	0.011.4085.0/20	2	gasket mm 390
21	0.011.0057.0/10	2	gasket
22	2.0350.405.3	2	screw m 4.2 x 16
23	2.1310.001.2	2	flat washer 5.3 x 10
35	04418149/10	2	clip
36	0.007.6732.0	1	coat hanger
37	2.0350.255.3	2	screw m 3.5 x 16 -AB-
40	2.1630.111.0	2	roll pin 2.5x24
41	2.4049.216.2/10	2	spring
42	01175900	4	plug
43	04425759	2	cap
44	04413366	1	plug 20.6
45	2.1312.003.2	2	washer 6

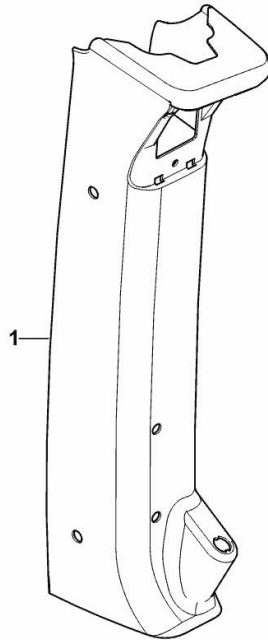


**INTERNAL CAB LININGS - DX/RH/RE**

Fig.	P/n	QTY	Name
------	-----	-----	------

Notes:  
[FORTIS 140.4]

1	0.016.4300.0/20	1	lining dx/rh/re
---	-----------------	---	-----------------



K9\_R5271\_20\_0-A-001

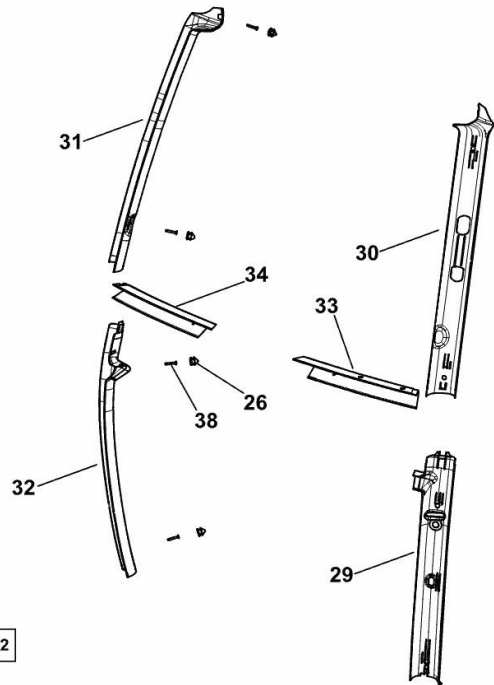
**INTERNAL CAB LININGS SX/LH/LI - DX/RH/RE**

Fig.	P/n	QTY	Name
------	-----	-----	------

**Notes:**

FOR TYPES WITH FIXED FRONT WINDSCREEN [FORTIS 140.4] -> 50010

26	04419538	8	cap
29	0.016.4293.0	1	cover sx/lh/li
30	0.016.4287.0/20	1	cover sx/lh/li
31	0.016.4290.0/10	1	cover dx/rh/re
32	0.017.0363.0	1	cover dx/rh/re
33	0.016.4299.0	1	cover sx/lh/li
34	0.016.4298.0	1	cover dx/rh/re
38	2.0351.559.3	8	screw m 4.8x32



K9\_R5171\_20\_0-A-002

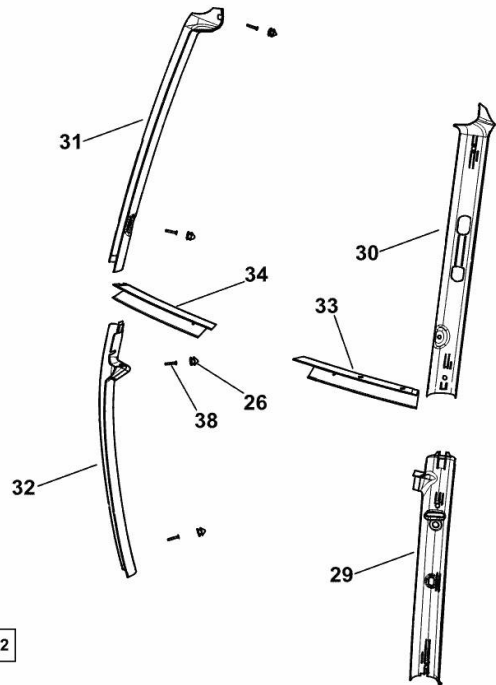
**INTERNAL CAB LININGS SX/LH/LI - DX/RH/RE**

Fig.	P/n	QTY	Name
------	-----	-----	------

**Notes:**

FOR TYPES W/ OPENABLE FRONT WINDSCREEN [FORTIS 140.4]

26	04419538	8	cap
29	0.016.4293.0	1	cover sx/lh/li
30	0.017.9970.0/10	1	cover sx/lh/li
31	0.017.9971.0	1	cover dx/rh/re
32	0.017.0363.0	1	cover dx/rh/re
33	0.016.4299.0	1	cover sx/lh/li
34	0.016.4298.0	1	cover dx/rh/re
38	2.0351.559.3	8	screw m 4.8x32



K9\_R5071\_20\_0-A-002

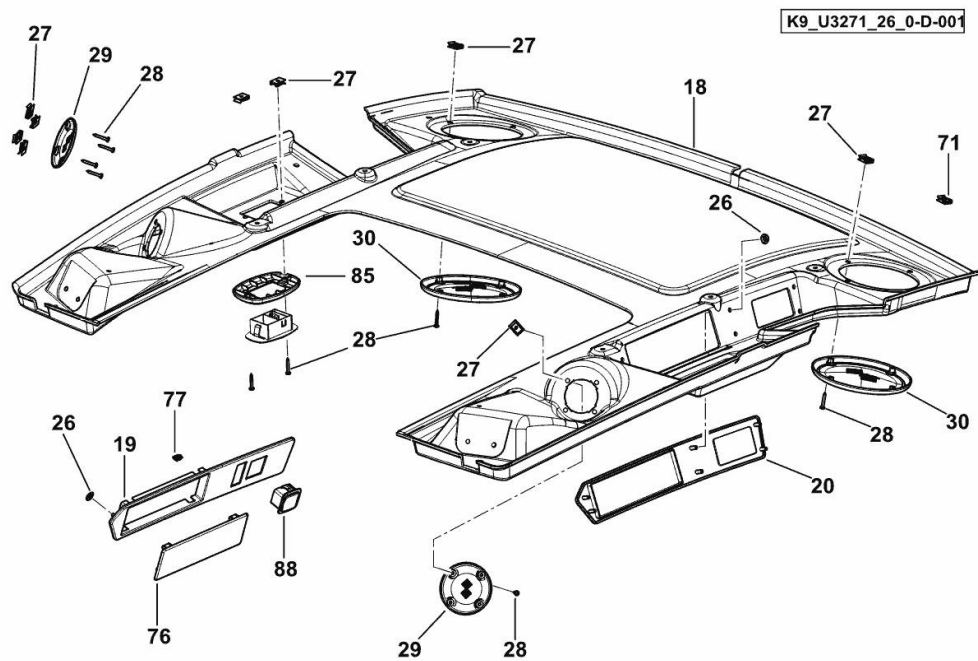
**INTERIOR TRIM F.O.P.S.**

Fig.	P/n	QTY	Name
------	-----	-----	------

**Notes:**

- FOR TYPES WITH F.O.P.S. [FORTIS 140.4]

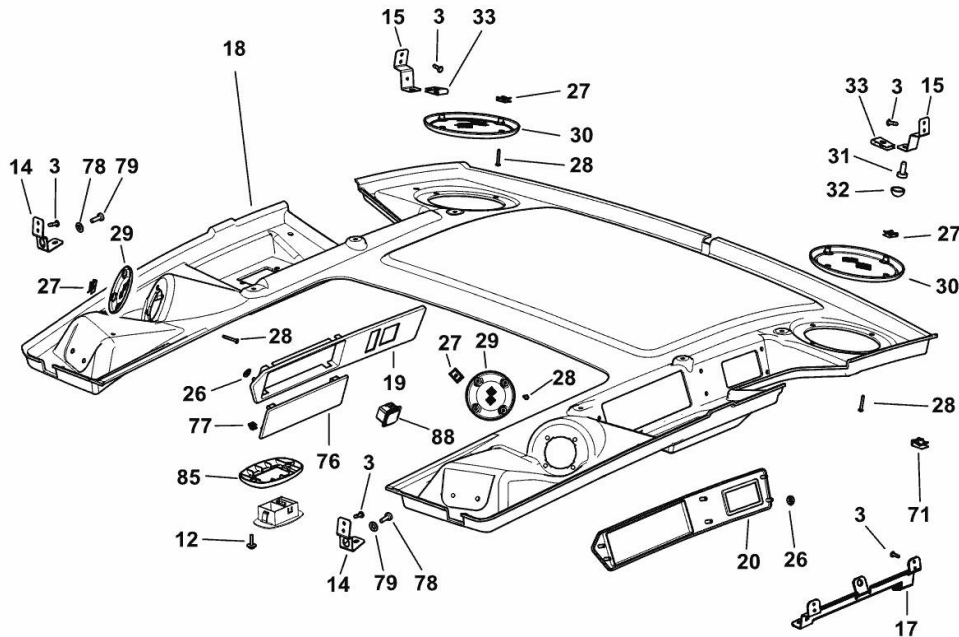
18	0.016.4223.0/10	1	inner cab roof panel
19	0.016.2828.0/10	1	front grille dx/rh/re
20	0.016.7603.0	1	front grille sx/lh/li
26	2.6999.053.0	12	clip D5x15
27	2.6999.052.0	18	clip m 3.5
28	2.0350.258.3	18	screw m 3.5 x 25
29	0.012.1723.0	2	grille
30	0.012.1724.0	2	grille
71	2.6999.064.6	2	special nut m 6
76	0.013.7536.0/10	1	plug
77	0.013.4283.0	4	clip
85	0.016.2826.0/10	1	frame
88	0.016.7902.0	1	plug



**INTERIOR TRIM**

Fig.	P/n	QTY	Name
------	-----	-----	------

Notes:  
[FORTIS 140.4]



K9\_L0271\_26\_0-D-001

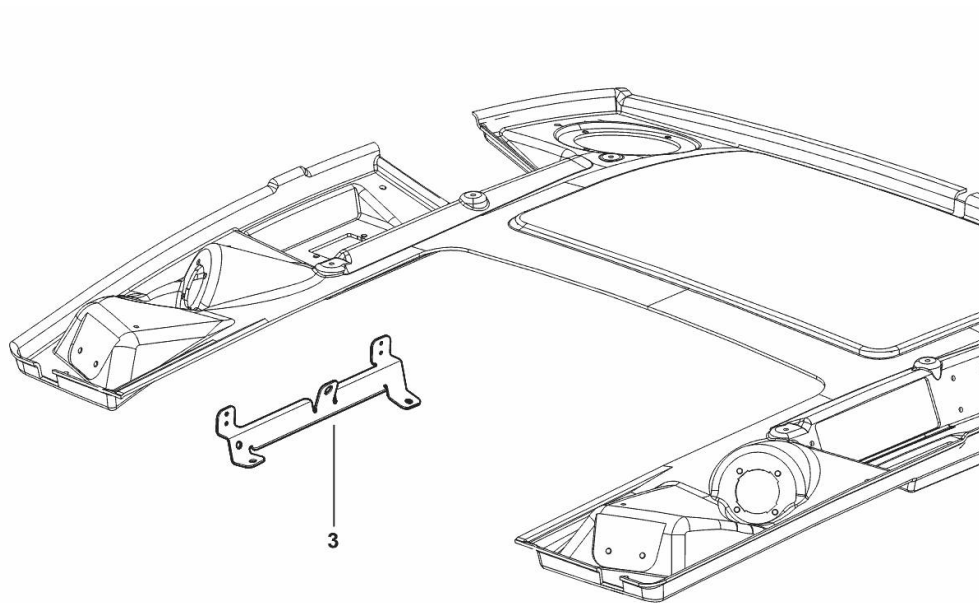
3	2.1856.307.0	20	rivet 4.8x12
12	2.0363.306.3	15	screw m 6x18
14	0.016.1365.0/10	2	bracket
15	0.011.3831.0	2	bracket
17	0.011.3828.0/10	1	bracket sx/lh/li
18	0.016.4223.0/10	1	inner cab roof panel
19	0.016.2828.0/10	1	front grille dx/rh/re
20	0.016.7603.0	1	front grille sx/lh/li
26	2.6999.053.0	12	clip D5x15
27	2.6999.052.0	18	clip m 3.5
28	2.0350.258.3	18	screw m 3.5 x 25
29	0.012.1723.0	2	grille
30	0.012.1724.0	2	grille
31	04428727	14	screw
32	04419538	14	cap
33	2.6999.047.0	10	clip
71	2.6999.064.6	2	special nut m 6
76	0.013.7536.0/10	1	plug
77	0.013.4283.0	4	clip
78	2.0362.206.2	2	screw m 6x18
79	2.1310.004.2	2	flat washer 8.4x17
85	0.016.2826.0/10	1	frame
88	0.016.7902.0	1	plug

**FIXINGS FOR CAB INTERIOR TRIM**

Fig.	P/n	QTY	Name
------	-----	-----	------

Notes:  
[FORTIS 140.4]

3	0.011.3827.0/10	1	bracket dx/rh/re
---	-----------------	---	------------------



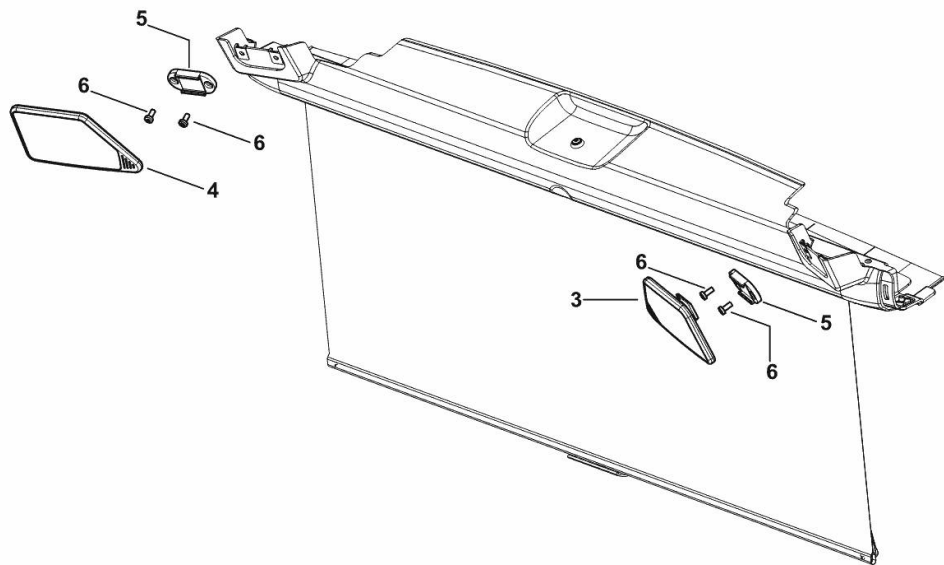
K9\_L0284\_16\_0-B-001

**REARVIEW MIRROR**

Fig.	P/n	QTY	Name
------	-----	-----	------

Notes:  
[FORTIS 140.4]

3	0.012.2112.4	1	mirror dx/rh/re
4	0.012.2111.4	1	mirror sx/lh/li
5	0.012.2107.0/10	2	support
6	2.0330.304.2	9	screw m 5 x 12



K9\_J5771\_28\_0-B-001

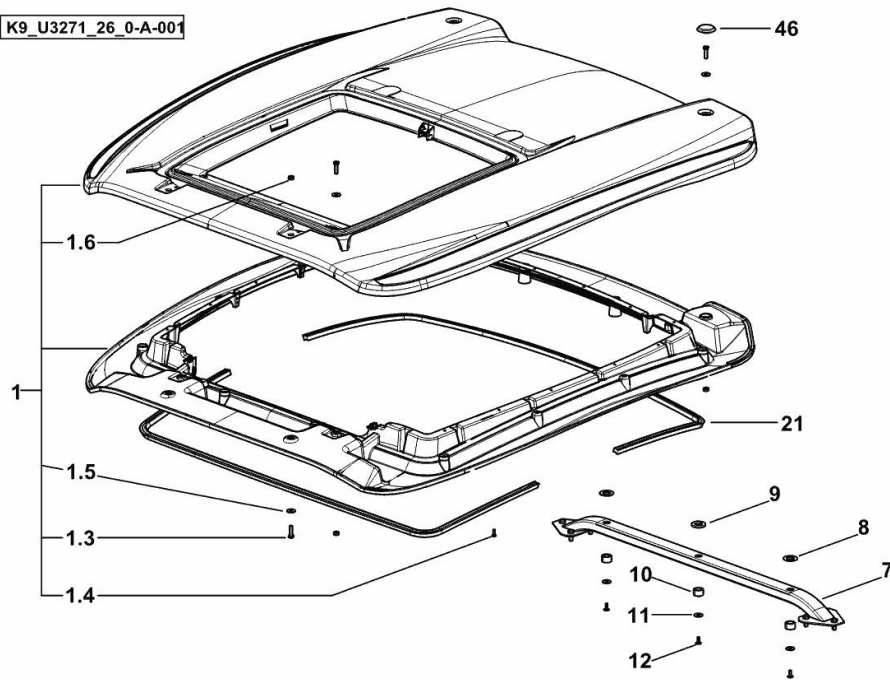
Section: G0 - BODYWORK - CAB  
**DRIVER'S CAB ROOF F.O.P.S.**

Fig.	P/n	QTY	Name
------	-----	-----	------

Notes:  
 - FOR TYPES WITH F.O.P.S. [FORTIS 140.4]

1	0.012.9222.4/10	1	roof
1.3	2.0112.211.2	6	screw m 8 p.1.25 x 30
1.4	2.0363.306.3	12	screw m 6x18
1.5	2.1312.004.2	6	washer 8x24x2
1.6	2.1011.105.2	6	nut m 8 p.1.25
7	0.010.7460.3/10	1	crosspiece
8	2.1569.183.0	1	rubber plug Ø 40x5
9	2.1569.198.0	2	rubber plug Ø 40x2
10	2.1569.181.0	3	rubber plug Ø 28x16
11	2.1312.004.3	3	washer 8,4x24x2
12	2.0363.306.3	15	screw m 6x18
21	04438115/10	2	gasket mm 2000
46	04413793	11	cap

K9\_U3271\_26\_0-A-001



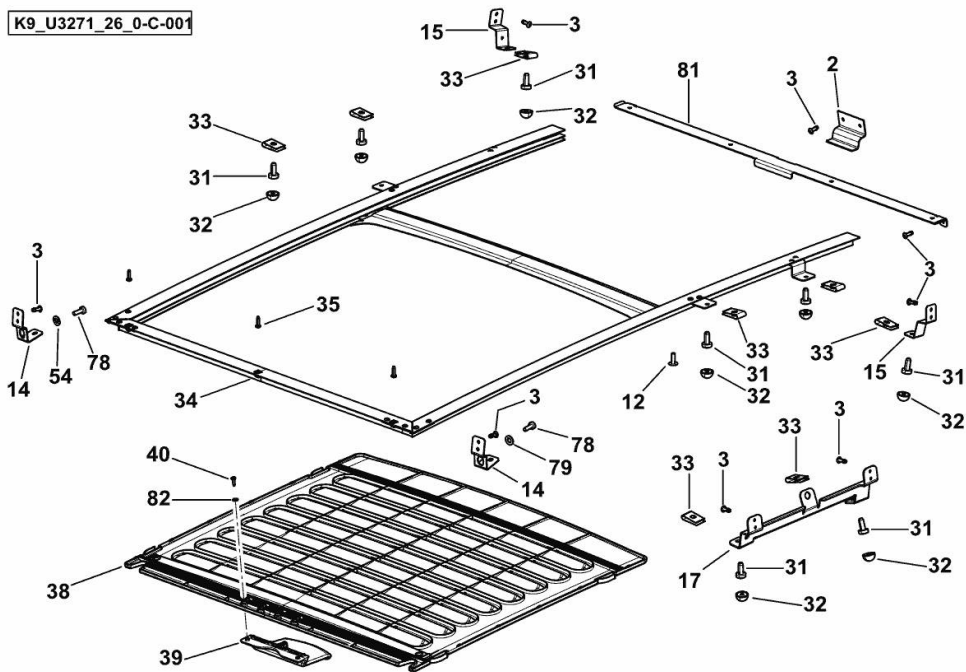
**ROOF KIT F.O.P.S.**

Fig.	P/n	QTY	Name
------	-----	-----	------

**Notes:**

- FOR TYPES WITH F.O.P.S. [FORTIS 140.4]

K9\_U3271\_26\_0-C-001



2	0.011.0678.0	1	bracket
3	2.1856.307.0	20	rivet 4.8x12
12	2.0363.306.3	15	screw m 6x18
14	0.016.1365.0/10	2	bracket
15	0.011.3831.0	2	bracket
17	0.011.3828.0/10	1	bracket sx/lh/li
31	04428727	14	screw
32	04419538	14	cap
33	2.6999.047.0	10	clip
34	0.010.7783.3/10	1	chassis frame
35	2.0350.405.3	3	screw m 4.2 x 16
38	0.016.4321.2/10	1	canopy
39	0.016.3611.0/20	1	handle
40	2.0350.204.6	5	screw m 3.5x13B
54	2.1310.004.2	10	flat washer 8.4x17
78	2.0362.206.2	2	screw m 6x18
79	2.1310.004.2	2	flat washer 8.4x17
81	0.015.4077.0	1	bracket
82	2.1310.028.2	5	flat washer



**Suggest:**

**For more complete manuals. Please go to the home page.**

**<https://www.ebooklibonline.com>**

**If the above button click is invalid. Please download this document first, and then click the above link to download the complete manual.**

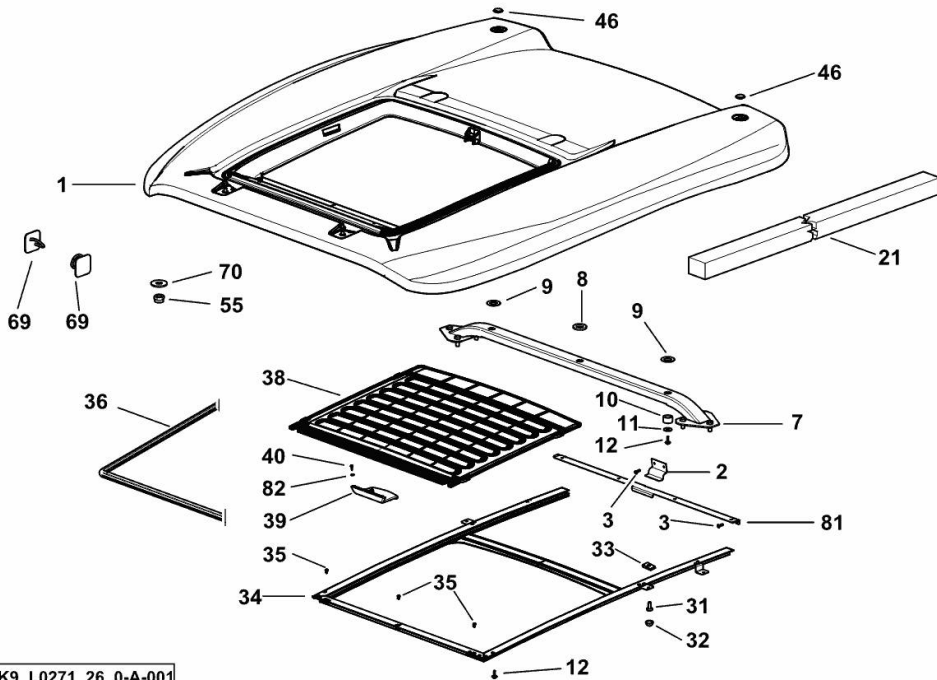
**Thank you so much for reading**

**DRIVER'S CAB ROOF**

Fig.	P/n	QTY	Name
------	-----	-----	------

Notes:  
[FORTIS 140.4]

1	0.012.9222.4/10	1	roof
2	0.011.0678.0	1	bracket
3	2.1856.307.0	20	rivet 4.8x12
7	0.010.7460.3/10	1	crosspiece
8	2.1569.183.0	1	rubber plug Ø 40x5
9	2.1569.198.0	2	rubber plug Ø 40x2
10	2.1569.181.0	3	rubber plug Ø 28x16
11	2.1312.004.3	3	washer 8,4x24x2
12	2.0363.306.3	15	screw m 6x18
21	04438115/10	2	gasket mm 2000
31	04428727	14	screw
32	04419538	14	cap
33	2.6999.047.0	10	clip
34	0.010.7783.3/10	1	chassis frame
35	2.0350.405.3	3	screw m 4.2 x 16
36	0.010.9556.0	1	gasket mm 1760
38	0.016.4321.2/10	1	canopy
39	0.016.3611.0/20	1	handle
40	2.0350.204.6	5	screw m 3.5x13B
46	04413793	11	cap
55	2.1120.105.2	9	self-locking nut m 8 p.1.25
69	0.012.6105.0	14	stop
70	2.1312.004.2	4	washer 8x24x2
81	0.015.4077.0	1	bracket
82	2.1310.028.2	5	flat washer



K9\_L0271\_26\_0-A-001

Section: G0 - BODYWORK - CAB  
**SKYLIGHT F.O.P.S.**

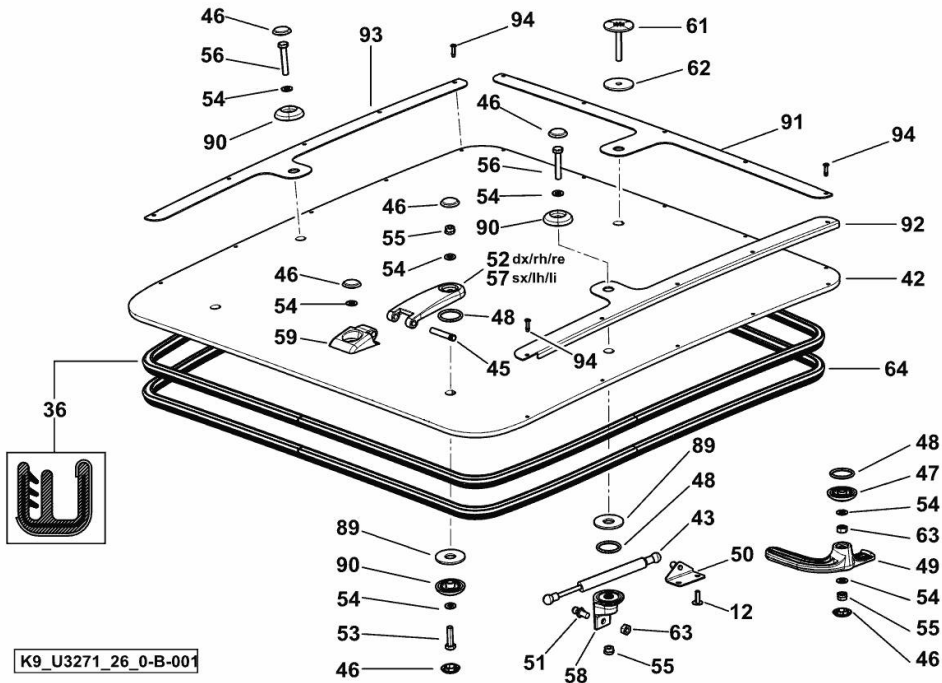


Fig.	P/n	QTY	Name
------	-----	-----	------

Notes:  
 - FOR TYPES WITH F.O.P.S. [FORTIS 140.4]

12	2.0363.306.3	15	screw m 6x18
36	0.010.9556.0	1	gasket mm 1760
42	0.020.6570.0	1	window glass
43	04414159	2	shock absorber
45	2.1699.486.2	2	pin
46	04413793	11	cap
47	04411716	1	washer
48	2.1530.078.0	5	oil seal 29.74x3.53
49	0.010.6477.0	1	handle
50	0.010.7739.3	2	support
51	04399070	2	ball joint
52	0.010.7525.0	1	hinge dx/rh/re
53	2.0112.211.2	2	screw m 8 p.1.25 x 30
54	2.1310.004.2	10	flat washer 8.4x17
55	2.1120.105.2	9	self-locking nut m 8 p.1.25
56	2.0112.217.2	2	screw m 8 p.1.25 x 45
57	0.010.6479.0	1	hinge sx/lh/li
58	0.010.7738.0/10	2	support
59	0.010.6480.0	2	hinge
61	0.010.7736.2	1	screw
62	0.010.7737.0	1	gasket
63	2.1011.105.2	3	nut m 8 p.1.25
64	0.010.8352.0	1	gasket mm 2900
89	2.1499.197.0	4	gasket 16x44x3
90	04429423	4	washer
91	0.020.5778.0	1	brace
92	0.020.5853.0	1	brace dx/rh/re
93	0.020.5883.0	1	brace sx/lh/li
94	2.1856.205.0	15	rivet

K9\_U3271\_26\_0-B-001

**<https://www.ebooklibonline.com>**

Hello dear friend!

Thank you very much for reading.

Enter the link into your browser.

The full manual is available for immediate download.

**<https://www.ebooklibonline.com>**