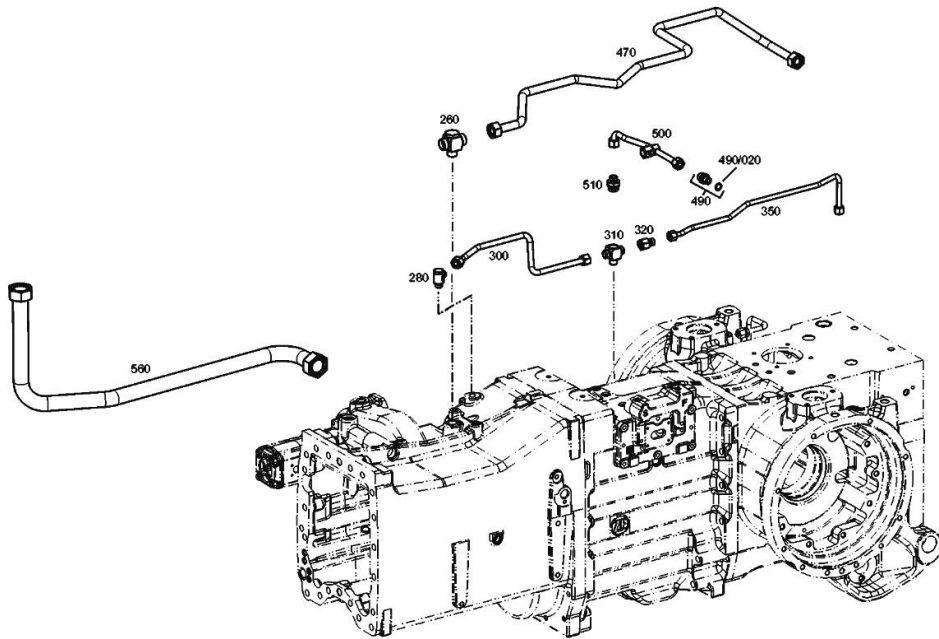


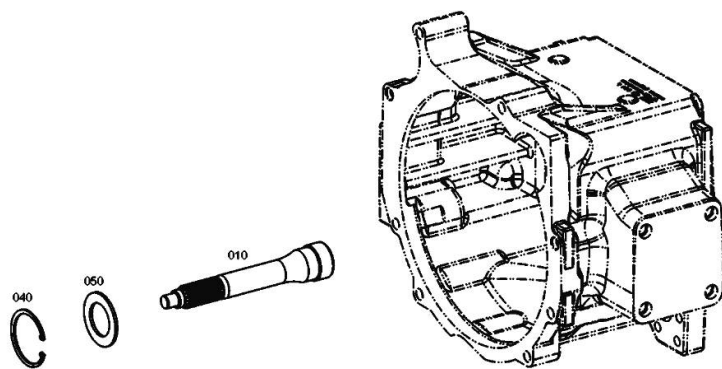
Section: D0 - TRANSMISSION  
**OIL SUPPLY - 2095 011 002**

Fig.	P/n	QTY	Name
260	04416647	1	screw
280	0.900.1362.6	1	straight union
300	0.900.2184.8	1	tube
310	04416428	1	screw
320	04417781	1	reduction
350	0.900.2184.9	1	tube
470	0.900.2185.0	1	tube
490	0.900.2185.1	1	pipe union
490.20	02315162	1	oil seal 13x2
500	0.900.2185.2	1	tube
510	0.010.3805.0	1	vent
560	0.900.2185.3	1	tube



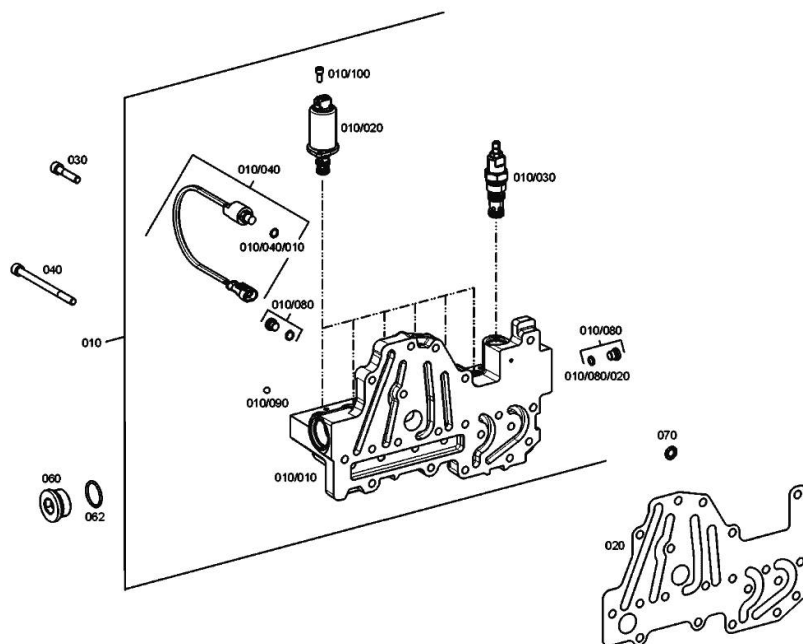
**GEARBOX INPUT SHAFT - 2095 011 002**

Fig.	P/n	QTY	Name
10	0.900.2185.4	1	shaft
40	0.010.2883.2	1	circlip 85x3
50	04415635	1	washer



**HYDRAULIC CONTROL - 2095 011 002**

Fig.	P/n	QTY	Name
10	0.900.2048.4	1	hydraulic control block
10.10	0.900.2050.8	1	hydraulic control block
10.20	0.900.2045.8	6	regulator
10.30	0.900.2045.3	1	valve
10.40	04431690	1	pressure switch
10.40.10	04415683	1	oil seal 8x1.5
10.80	0.900.2136.4	7	plug
10.80.20	04415683	1	oil seal 8x1.5
10.90	0.900.2046.5	6	ball Ø mm 7
10.100	04434506	12	screw m 5 x 12
20	0.900.2050.9	1	gasket
30	0.900.2046.8	12	screw m8x40
40	0.900.2046.9	6	screw m8x115
60	0.900.2123.8	1	screw m 33 x 2
62	04415825	1	ring 30x2.5
70	01160038	1	oil seal



**<https://www.ebooklibonline.com>**

Hello dear friend!

Thank you very much for reading.

Enter the link into your browser.

The full manual is available for immediate download.

**<https://www.ebooklibonline.com>**

**HYDRAULIC CONTROL - 2095 011 002**

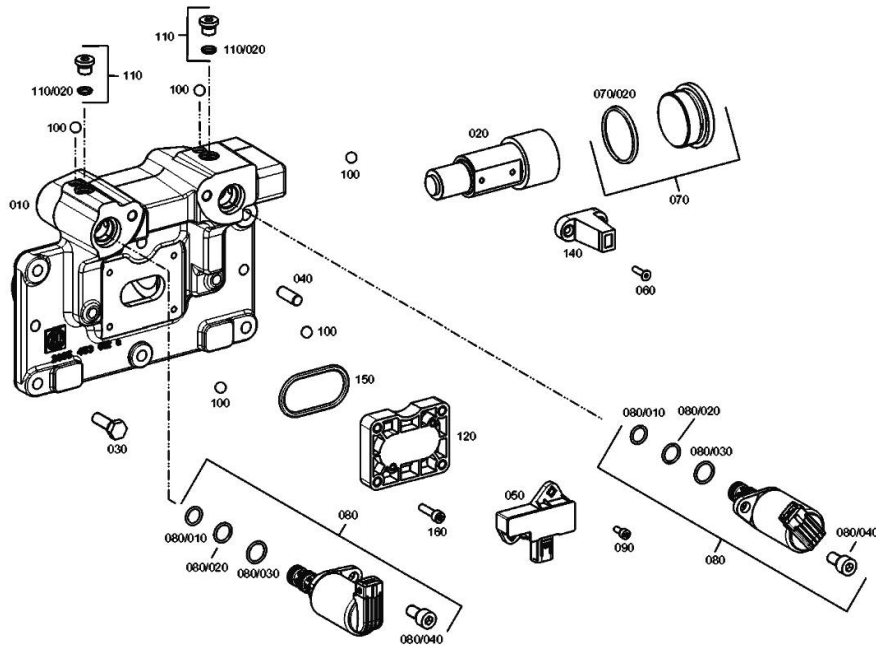


Fig.	P/n	QTY	Name
10	0.900.2185.5	1	box
20	0.900.0957.9	1	piston
30	04434498	6	screw m 8 x 25
40	0.010.3820.1	2	pin m 6 x 20
50	0.900.0277.8	1	position sensor
60	0.900.0470.1	2	screw m 4 x 16
70	0.900.1409.4	1	plug
70.20	02315144	1	oil seal 38x2.5
80	0.900.0952.8	2	solenoid valve DV
80.10	0.900.1377.6	1	gasket 13 x 1.5
80.20	0.900.1377.5	1	gasket 12,4 x 1,78
80.30	0.900.1377.7	1	gasket 14x1.78
80.40	0.900.1377.8	1	screw m 8 x 16
90	0.900.0280.3	2	screw
100	04415909	5	ball
110	0.900.2136.4	2	plug
110.20	04415683	1	oil seal 8x1.5
120	0.900.0286.3	1	cover
140	0.900.0283.7	1	support
150	0.900.0279.1	1	ring
160	0.900.0953.5	4	screw

Section: D0 - TRANSMISSION  
**PUMP DRIVE - 2095 011 002**

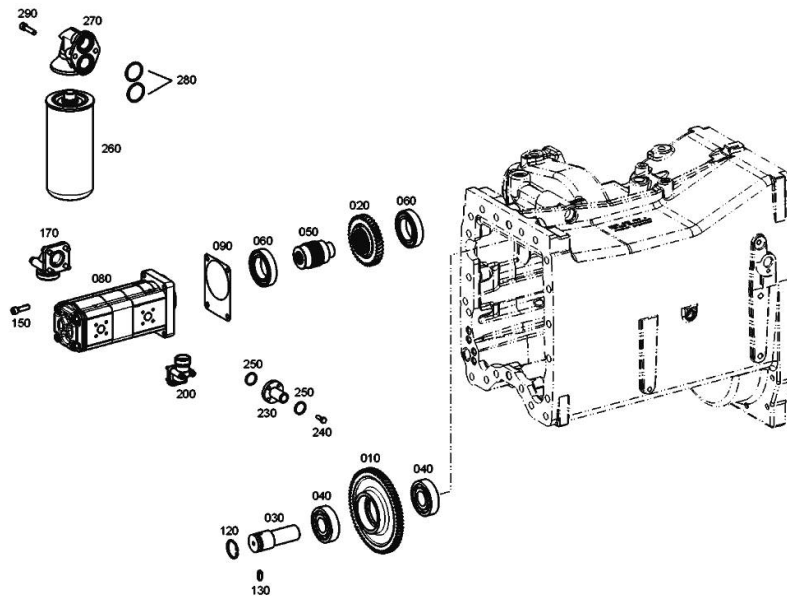
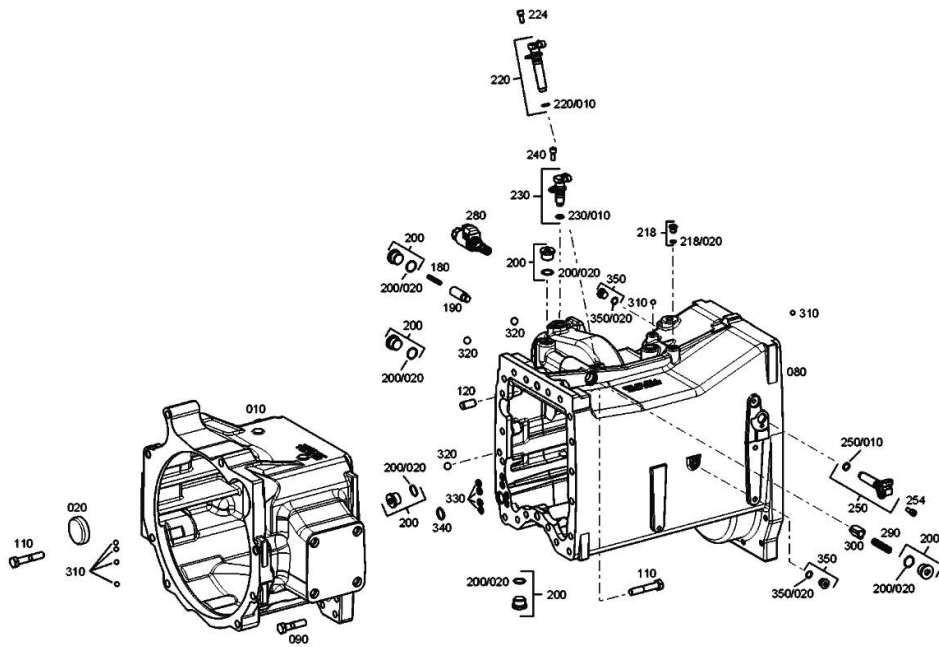


Fig.	P/n	QTY	Name
10	0.900.1589.2	1	gear wheel
20	0.900.0884.7	1	gear z=39
30	0.900.1589.1	1	shaft
40	0.900.1586.7	2	ball bearing
50	0.900.0488.6	1	bush z=38
60	0.010.2877.0	2	ball bearing
80	0.900.2185.6	1	pump
90	04415921	1	gasket
120	0.900.2185.7	1	ring
130	0.900.1224.7	1	pin 8x20
150	01110576	4	screw
170	0.900.2185.8	1	flange
200	0.900.2185.9	1	flange
230	0.900.2186.0	1	flange
240	0.900.2186.1	4	screw
250	0.900.2186.2	2	oil seal
260	0.900.2186.3	1	filter
270	0.900.2186.4	1	head
280	0.900.2186.5	2	oil seal
290	0.010.3821.0	2	screw m 8 x 35

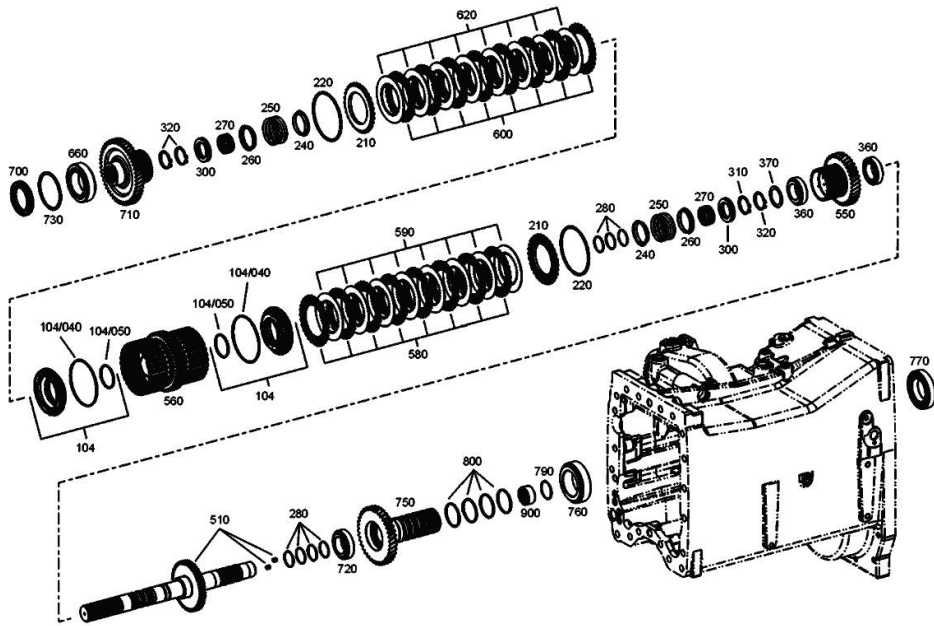
Section: D0 - TRANSMISSION  
**GEARBOX - 2095 011 002**

Fig.	P/n	QTY	Name
10	0.900.2186.6	1	box
20	01138947	1	cover
80	0.900.2186.7	1	box
90	0.010.2887.1	7	screw m 14 x 60
110	0.900.2186.8	12	screw
120	04416090	2	cylindrical plug 16 m 6x30
180	04415972	1	spring
190	04415971	1	small piston
200	04434341	6	plug
200.20	04436328	1	oil seal 23x2
218	04433215	1	plug
218.20	04415796	1	oil seal 9.5x2
220	04438438	1	position sensor L = 83,2mm
220.10	04417747	1	oil seal 15.54x2.62
224	04434551	1	screw m 8 p.1.25 x 20
230	0.010.2874.2	1	speed sensor
230.10	04417747	1	oil seal 15.54x2.62
240	04434551	1	screw m 8 p.1.25 x 20
250	04438438	1	position sensor L = 83,2mm
250.10	04417747	1	oil seal 15.54x2.62
254	04434551	1	screw m 8 p.1.25 x 20
280	0.900.2094.5	1	solenoid valve
290	04415955	1	spring
300	0.900.0489.2	1	cone
310	04309268	6	ball
320	04416962	3	ball
330	01160038	4	oil seal
340	0.900.2186.9	1	ring
350	04435199	2	screw
350.20	02315162	1	oil seal 13x2



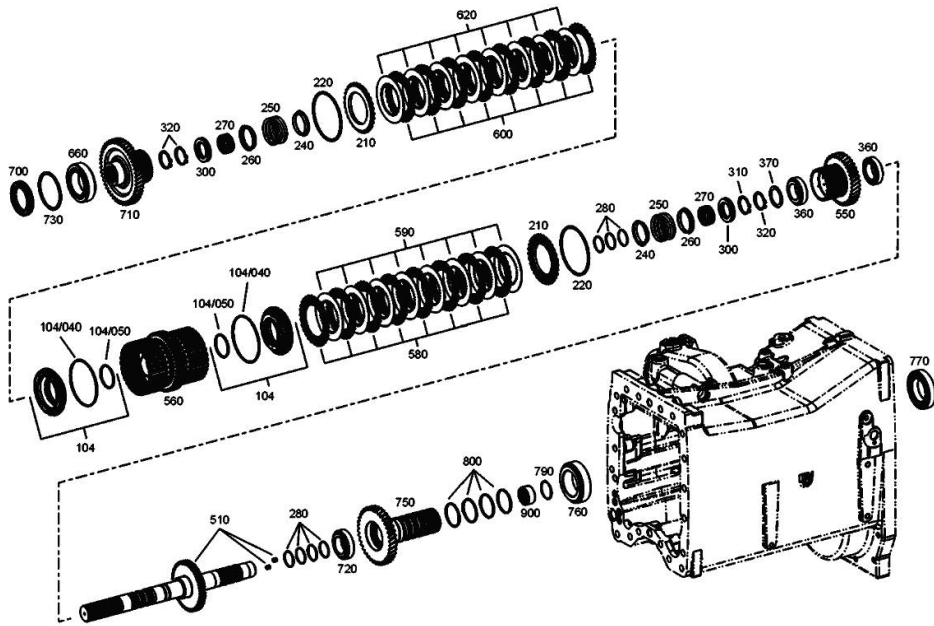
Section: D0 - TRANSMISSION  
**SPLITTER - 2095 011 002**

Fig.	P/n	QTY	Name
104	04431746	4	piston
104.40	04419762	1	oil seal 104x3
104.50	04419763	1	oil seal 50x3
210	04416763	4	disc
220	0.900.0801.9	1	circlip A=2,75
220	0.900.0802.0	1	circlip A=3,25
220	0.900.0802.1	1	circlip A=2,25
220	04416765	1	circlip A = 2.0
220	04416766	1	circlip A = 2.5
220	04416767	1	circlip A = 3.0
220	04416768	1	circlip A = 3.5
240	04416758	4	ring
250	04416759	4	spring
260	04416954	4	ring
270	04416955	4	roller cage
280	04416956	10	ring 38/35.2x2
300	04416957	4	bearing
310	04416951	2	circlip
320	0.010.3347.1	5	circlip 38x2.5
360	04416950	4	bearing
370	0.010.2886.0	1	washer mm 1.175
370	0.010.2886.1	1	washer mm 1.15
370	0.900.2137.0	1	washer mm 1.025
370	0.900.2137.1	1	washer mm 1.075
370	0.900.2137.2	1	washer mm 1.125
370	04416969	1	ring mm 1.5
370	04417016	1	washer mm 1.2
370	04417017	1	washer mm 1.25
370	04417018	1	washer mm 1.30
370	04417019	1	washer mm 1.35
370	04417020	1	washer mm 1.4
370	04417021	1	washer mm 1.45
370	04417023	1	washer mm 1.55
370	04417024	1	washer mm 1.60
370	04417025	1	washer mm 1.65
370	04417026	1	washer mm 1.7
370	04417027	1	washer mm 1.75
370	04417028	1	washer mm 1.80
370	04417029	1	shim mm 1.225
370	04417030	1	shim mm 1.275
370	04417031	1	shim mm 1.325
370	04417032	1	shim mm 1.375
370	04417033	1	shim mm 1.425
370	04417034	1	shim mm 1.475



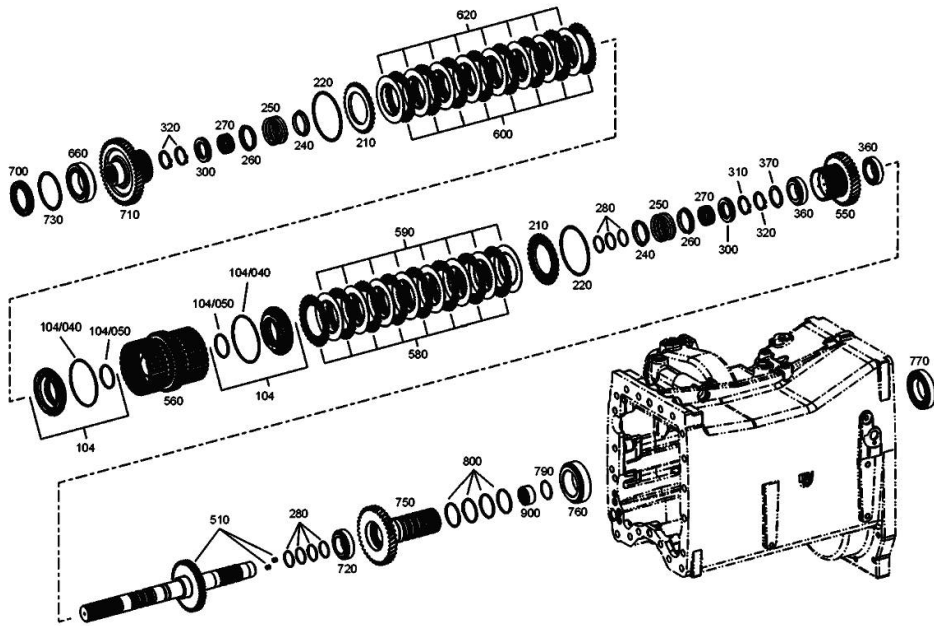
Section: D0 - TRANSMISSION  
**SPLITTER - 2095 011 002**

Fig.	P/n	QTY	Name
370	04417035	1	shim mm 1.525
370	04417036	1	shim mm 1.575
370	04417037	1	shim mm 1.625
370	04417038	1	shim mm 1.675
370	04417039	1	shim mm 1.725
370	04417040	1	shim mm 1.775
510	0.900.2187.7	1	ring
550	0.900.0955.6	1	gear wheel
560	0.900.0954.4	1	plate carrier
580	04416760	8	clutch plate AV 35
590	04416967	8	clutch plate
600	04416760	8	clutch plate AV 35
620	04416967	8	clutch plate
660	0.010.3256.1	1	roller bearing
700	04416975	1	oil seal
710	0.900.0885.0	1	gear z=47
720	04416110	1	roller bearing
730	0.900.0974.5	1	shim S = 2.00
730	0.900.0974.6	1	shim s = 2.05
730	0.900.0974.7	1	shim s = 2.10
730	0.900.0974.8	1	shim s = 2.15
730	0.900.0974.9	1	shim s = 2.20
730	0.900.0975.0	1	shim s = 2.25
730	0.900.0975.1	1	shim s = 2.30
730	0.900.0975.2	1	washer
730	0.900.0975.3	1	washer
730	0.900.0975.4	1	shim
730	0.900.0975.5	1	shim
730	0.900.0975.6	1	shim
730	0.900.0975.7	1	shim
730	0.900.0975.8	1	shim
730	0.900.0975.9	1	shim
730	0.900.0976.0	1	shim
730	0.900.0976.1	1	shim
730	0.900.0978.1	1	washer
730	0.900.0978.2	1	washer
730	0.900.2188.2	1	shim S=2.95
730	0.900.2188.3	1	shim S=3,00
730	0.900.2188.4	1	shim A=1,90
730	0.900.2188.5	1	shim A=1,950
730	0.900.2188.6	1	shim h=2,68
730	0.900.2188.7	1	shim h=2,730
730	0.900.2188.8	1	shim h=2,780
730	0.900.2188.9	1	shim h=2,830



Section: D0 - TRANSMISSION  
**SPLITTER - 2095 011 002**

Fig.	P/n	QTY	Name
730	0.900.2189.0	1	shim h=2,880
730	0.900.2189.1	1	shim S=3.10
750	0.900.2187.8	1	shaft
760	0.900.2188.0	1	bearing
770	0.900.2188.1	1	bearing
790	0.900.1246.2	1	circlip
800	0.900.0293.5	4	oil seal
900	0.900.2187.9	1	bush





**Suggest:**

**For more complete manuals. Please go to the home page.**

**<https://www.ebooklibonline.com>**

**If the above button click is invalid. Please download this document first, and then click the above link to download the complete manual.**

**Thank you so much for reading**

Section: D0 - TRANSMISSION  
**SPLITTER - 2095 011 002**

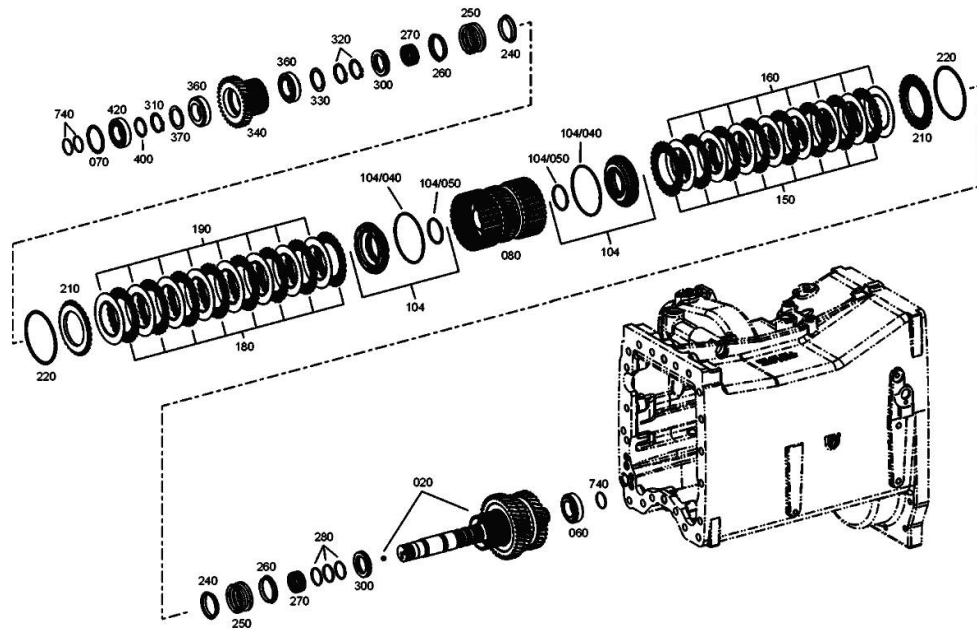


Fig.	P/n	QTY	Name
20	0.900.2187.6	1	shaft
60	04415988	2	bearing
70	04417051	1	washer mm 2.40
70	04417052	1	washer mm 2.45
70	04417053	1	washer mm 2.50
70	04417054	1	washer mm 2.55
70	04417055	1	washer mm 2.60
70	04424430	1	washer mm 2.65
70	04424431	1	washer mm 2.70
80	0.900.0954.5	1	carrier
104	04431746	4	piston
104.40	04419762	1	oil seal 104x3
104.50	04419763	1	oil seal 50x3
150	04416760	8	clutch plate AV 35
160	04416967	8	clutch plate
180	04416760	8	clutch plate AV 35
190	04416967	8	clutch plate
210	04416763	4	disc
220	0.900.0801.9	1	circlip A=2,75
220	0.900.0802.0	1	circlip A=3,25
220	0.900.0802.1	1	circlip A=2,25
220	04416765	1	circlip A = 2.0
220	04416766	1	circlip A = 2.5
220	04416767	1	circlip A = 3.0
220	04416768	1	circlip A = 3.5
240	04416758	4	ring
250	04416759	4	spring
260	04416954	4	ring
270	04416955	4	roller cage
280	04416956	10	ring 38/35.2x2
300	04416957	4	bearing
310	04416951	2	circlip
320	0.010.3347.1	5	circlip 38x2.5
330	04416969	1	ring mm 1.5
340	0.900.0955.5	1	gear
360	04416950	4	bearing
370	0.010.2886.0	1	washer mm 1.175
370	0.010.2886.1	1	washer mm 1.15
370	0.900.2137.0	1	washer mm 1.025
370	0.900.2137.1	1	washer mm 1.075
370	0.900.2137.2	1	washer mm 1.125
370	04416969	1	ring mm 1.5
370	04417016	1	washer mm 1.2
370	04417017	1	washer mm 1.25

Section: D0 - TRANSMISSION  
**SPLITTER - 2095 011 002**

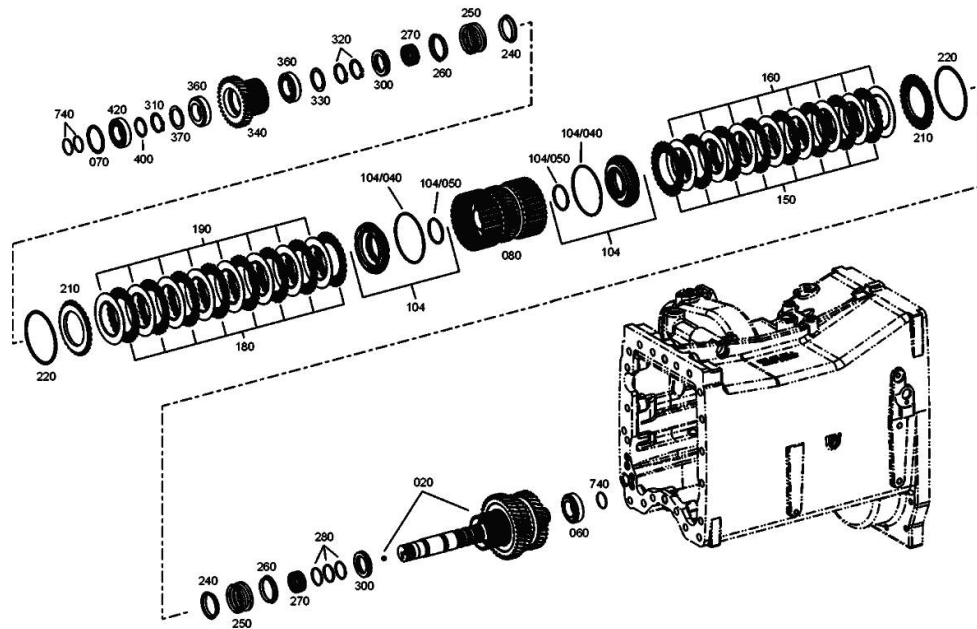


Fig.	P/n	QTY	Name
370	04417018	1	washer mm 1.30
370	04417019	1	washer mm 1.35
370	04417020	1	washer mm 1.4
370	04417021	1	washer mm 1.45
370	04417023	1	washer mm 1.55
370	04417024	1	washer mm 1.60
370	04417025	1	washer mm 1.65
370	04417026	1	washer mm 1.7
370	04417027	1	washer mm 1.75
370	04417028	1	washer mm 1.80
370	04417029	1	shim mm 1.225
370	04417030	1	shim mm 1.275
370	04417031	1	shim mm 1.325
370	04417032	1	shim mm 1.375
370	04417033	1	shim mm 1.425
370	04417034	1	shim mm 1.475
370	04417035	1	shim mm 1.525
370	04417036	1	shim mm 1.575
370	04417037	1	shim mm 1.625
370	04417038	1	shim mm 1.675
370	04417039	1	shim mm 1.725
370	04417040	1	shim mm 1.775
400	04416762	1	disc
420	04415988	1	bearing
740	04415761	3	ring 35x2

**<https://www.ebooklibonline.com>**

Hello dear friend!

Thank you very much for reading.

Enter the link into your browser.

The full manual is available for immediate download.

**<https://www.ebooklibonline.com>**