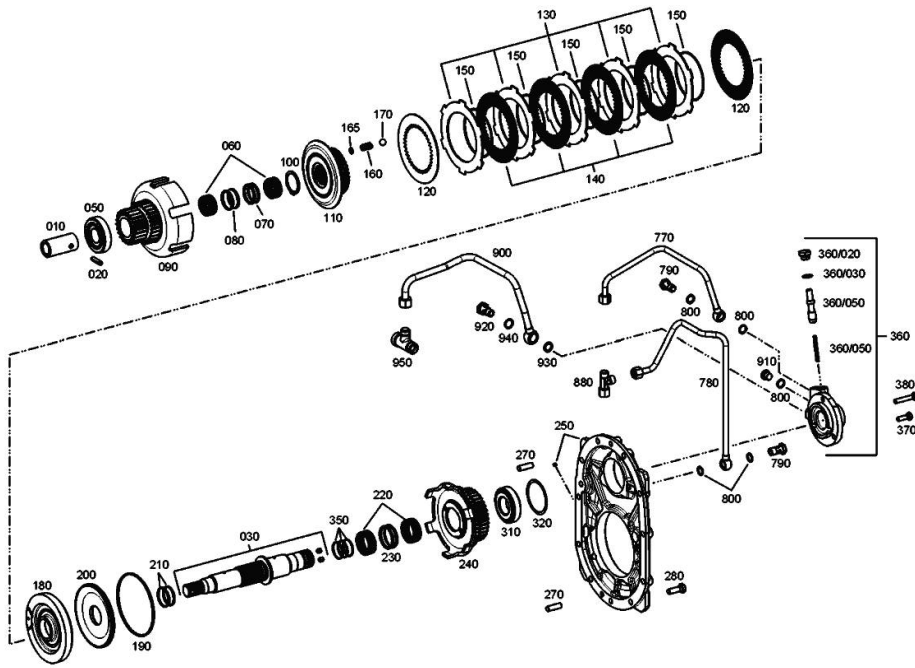


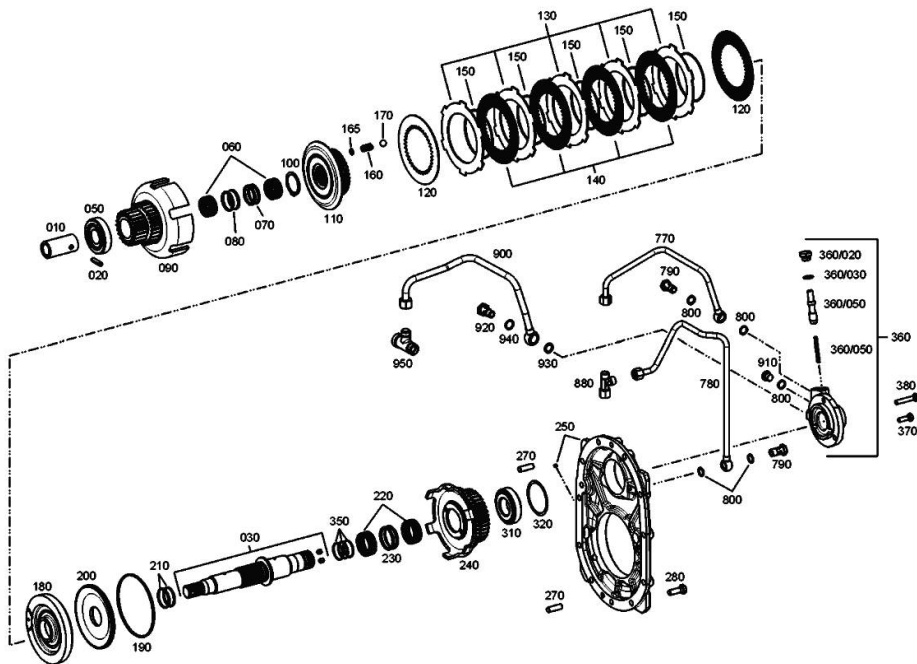
**P.T.O. - POWER TAKE OFF - 2095 011 003**

Fig.	P/n	QTY	Name
10	04421009	1	sleeve
20	0.010.2894.1	1	pin 8 x 30
30	0.900.1408.2	1	shaft
50	0.900.1406.7	1	roller bearing
60	04417336	2	roller cage
70	04417337	1	roller cage
80	04417338	3	roller cage
90	0.900.2094.7	1	shaft
100	0.010.3724.2	1	circlip 40 x 1.75
110	0.900.0955.7	1	hub
120	0.900.1498.2	2	disc z=38
130	0.900.1402.9	5	ring
140	0.900.1441.4	4	thin plate z=38
150	0.900.1498.1	5	spring
160	04417347	8	spring
165	0.900.1637.6	8	shim 6x12
170	04415830	8	ball 12 mm
180	0.900.1408.9	1	cylinder
190	0.900.0468.4	1	oil seal 120x3
200	0.900.0489.5	1	piston
210	0.900.0879.0	2	ring
220	04417352	2	roller cage
230	04417353	1	roller cage
240	0.900.0287.8	1	gear
250	0.900.2078.0	1	cover
270	04328555	2	cylindrical plug 10 m 6x20
280	0.900.0279.9	11	screw m 10 x 30
310	0.900.1385.0	1	bearing
320	0.900.0294.8	1	washer
320	0.900.0294.9	1	washer s = 0.15
320	04417362	1	shim s = 0.40
350	0.900.0293.6	3	locking segment
360	0.900.1235.6	1	cover
360.20	0.900.2078.2	1	plug m16x1,5
360.30	04436331	1	oil seal 16 x 20
360.40	0.900.1386.4	1	piston
360.50	0.900.1384.9	1	spring
370	04434498	5	screw m 8 x 25
380	0.900.0280.0	1	screw m 8 x 45
770	0.900.0993.5	1	tube
780	0.900.2078.3	1	tube
790	0.900.0282.1	1	pipe union
800	04423731	4	oil seal 14 x 18
880	0.900.2123.7	1	pipe fitting



**P.T.O. - POWER TAKE OFF - 2095 011 003**

Fig.	P/n	QTY	Name
900	0.900.0283.5	1	tube
910	0.900.0280.7	1	stop
920	04427560	1	pipe union
930	0.010.2895.0	1	gasket 14x20
940	04436331	1	oil seal 16 x 20
950	04431782	1	threaded joint



**P.T.O. - POWER TAKE OFF - 2095 011 003**

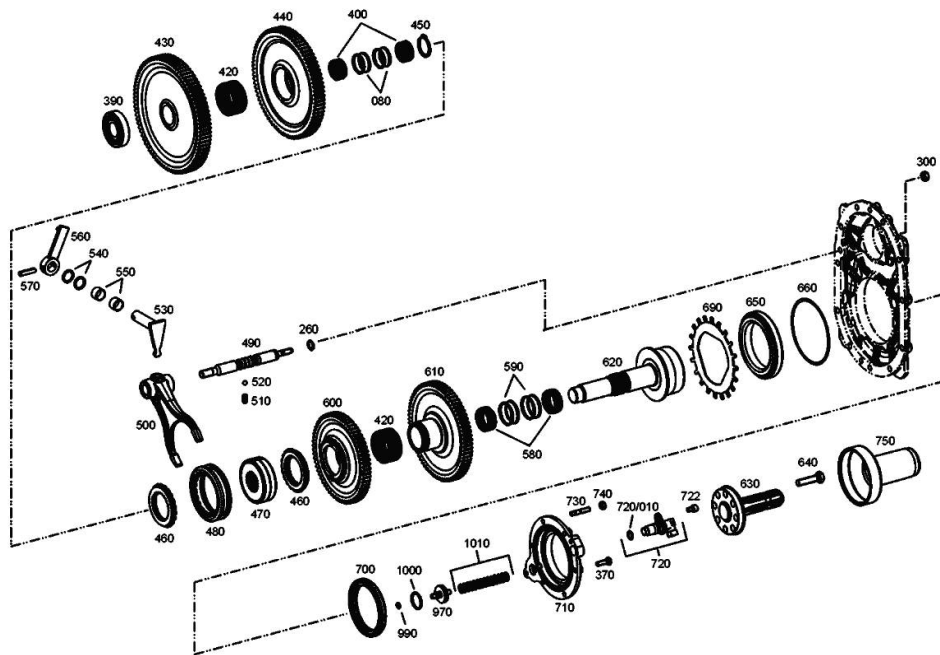


Fig.	P/n	QTY	Name
80	04417338	3	roller cage
260	0.900.0278.8	1	oil seal
300	0.900.2017.6	1	nut
370	04434498	5	screw m 8 x 25
390	0.900.1406.7	1	roller bearing
400	04417336	2	roller cage
420	04417368	2	roller cage
430	0.900.2094.8	1	gear wheel
440	0.900.2094.9	1	gear wheel
450	0.010.3347.1	1	circlip 38x2.5
460	04423336	2	driver
470	04423335	1	support
480	04423337	1	sleeve
490	0.900.1499.8	1	rod
500	0.010.3701.2	1	fork
510	04417378	1	spring
520	04415909	1	ball
530	04417379	1	small lever
540	0.900.0278.5	2	ring 20x3.5
550	04417381	2	bushing
560	0.900.0294.2	1	lever
570	0.010.3348.2	1	roll pin 8x36
580	04417352	2	roller cage
590	04417384	2	roller cage
600	0.900.0288.5	1	gear
610	0.900.0288.4	1	gear
620	0.900.0957.0	1	shaft
630	04417388	1	shaft
640	0.900.2017.2	8	screw
650	0.900.0282.9	1	roller bearing
660	04417391	1	shim s = 0.10
660	04417392	1	shim s = 0.15
660	04417393	1	shim s = 0.40
690	0.900.1432.0	1	gear
700	0.900.2208.8	1	ring
710	0.900.2078.4	1	cover
720	0.010.2874.2	1	speed sensor
720.10	04417747	1	oil seal 15.54x2.62
722	0.900.1637.7	1	screw m 8 x 12
730	0.900.2016.4	4	grub screw
740	0.900.2017.3	4	nut
750	04417440	1	guard
970	0.900.2045.1	1	piston
990	02371264	1	oil seal

**<https://www.ebooklibonline.com>**

Hello dear friend!

Thank you very much for reading.

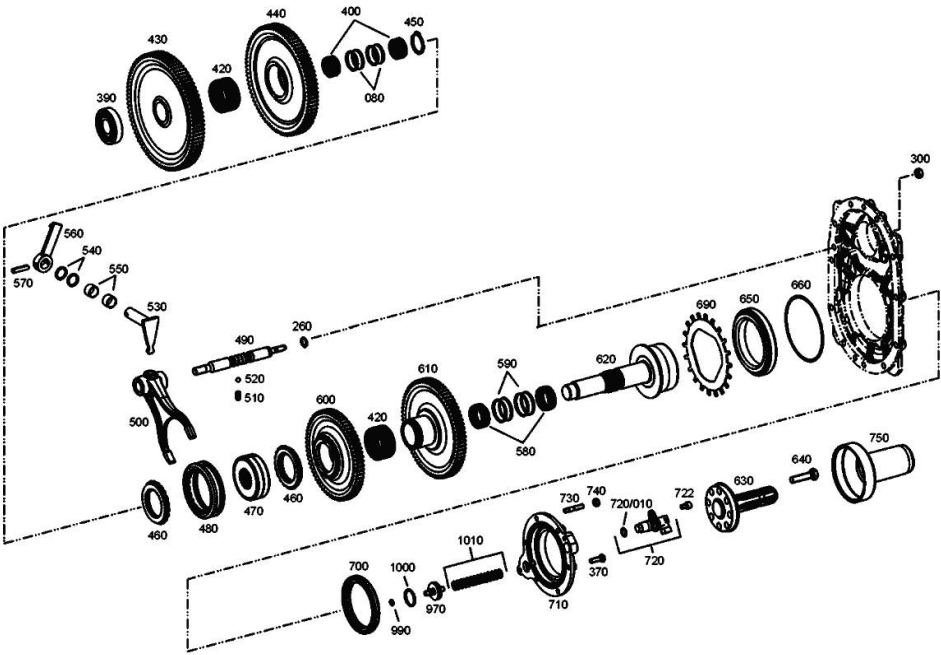
Enter the link into your browser.

The full manual is available for immediate download.

**<https://www.ebooklibonline.com>**

**P.T.O. - POWER TAKE OFF - 2095 011 003**

Fig.	P/n	QTY	Name
1000	0.010.3781.1	1	ring 29x3
1010	0.900.2078.5	14	spring



**PTO OUTPUT SHAFT - 2095 011 003**

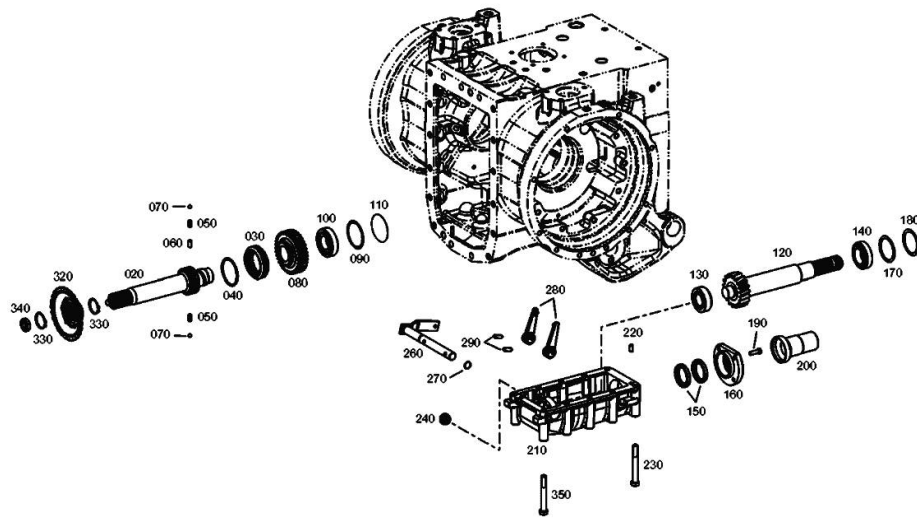
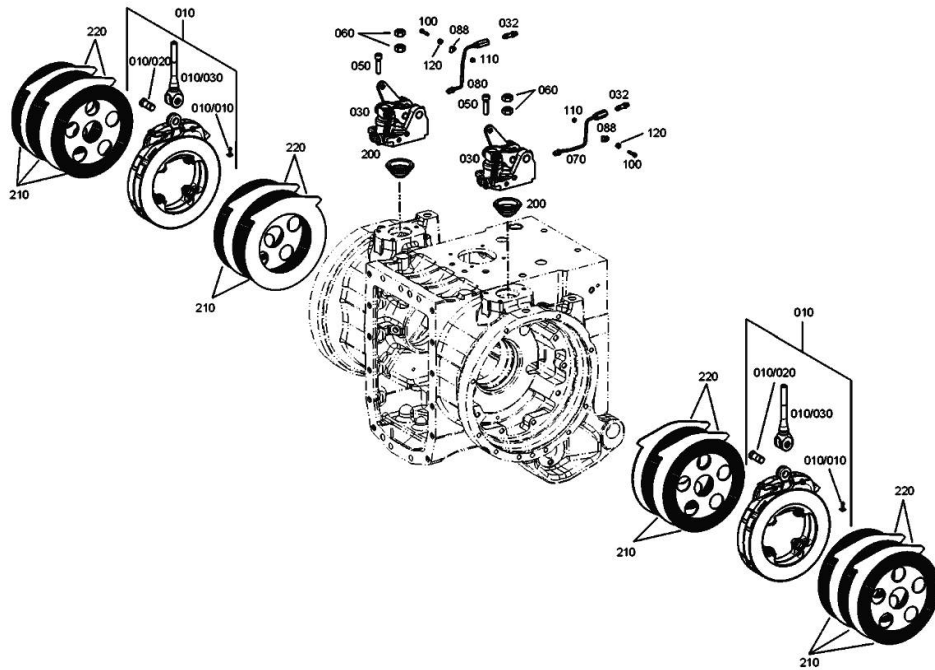


Fig.	P/n	QTY	Name
20	0.900.1590.2	1	shaft
30	04417488	1	sleeve
40	0.900.0278.0	1	circlip
50	04417378	2	spring
60	0.900.0953.2	1	cylindrical plug m 6 x 15
70	04415909	2	ball
80	0.900.2196.1	1	gear wheel
90	0.900.0294.8	1	washer
90	0.900.0294.9	1	washer s = 0.15
90	04417362	1	shim s = 0.40
100	0.900.0279.3	1	roller bearing
110	04417494	1	cover
120	0.900.2196.2	1	shaft
130	0.900.0293.9	1	roller bearing
140	04416110	1	roller bearing
150	04417498	2	ring
160	04417499	1	cover
170	0.010.3343.2	1	small block 55x68x0.5
180	0.010.3343.1	1	small block 55x68x0.1
190	04434498	4	screw m 8 x 25
200	04417500	1	guard
210	0.900.1590.3	1	box
220	0.900.0953.2	2	cylindrical plug m 6 x 15
230	0.900.1589.6	8	screw m 12 x 100
240	0.010.3847.2	1	stop
260	0.010.3454.1	1	shaft
270	0.900.0278.8	1	oil seal
280	04417505	2	lever
290	0.010.3348.1	2	roll pin 8x26
320	0.900.1500.1	1	driver
330	0.900.1498.4	2	ring
340	0.900.1498.9	1	ball bearing
350	0.900.1589.7	2	screw m 12x95

**REAR BRAKES - 2095 011 003**

Fig.	P/n	QTY	Name
10	0.900.1583.9	2	transmission brake
10.10	04435741	1	split pin
10.20	04435740	1	pin
10.30	04428551	1	rod
30	0.900.2018.5	2	operation
32	0.900.2124.5	2	breather
50	0.900.0469.7	6	screw m 10 x 40
60	0.900.2019.0	4	nut
70	04428558	1	tube sx/lh/li
80	04428559	1	tube dx/rh/re
88	0.900.0468.2	2	clamp 6x12
100	0.900.0280.1	2	screw m 5 x 25
110	0.900.2181.3	2	nut
120	0.900.2181.4	2	nut
200	0.900.0800.9	2	rubber bushing
210	0.900.1584.6	10	disc
220	0.900.0801.3	8	disc



**BRAKE CONTROLS - 2095 011 003**

Fig.	P/n	QTY	Name
20	0.900.1239.8	2	tube
30	0.900.1239.9	2	pin
40	0.900.2095.0	2	rod
50	0.900.2124.6	1	lever
60	0.900.2095.1	1	shaft
70	0.900.0281.9	2	nut m 12
80	0.900.2018.9	1	pin
90	0.900.0466.9	2	washer
100	0.900.2082.0	2	pin
110	0.900.1240.3	1	spacer
130	0.010.2901.1	2	pin 6x50
140	0.900.2015.9	2	ring

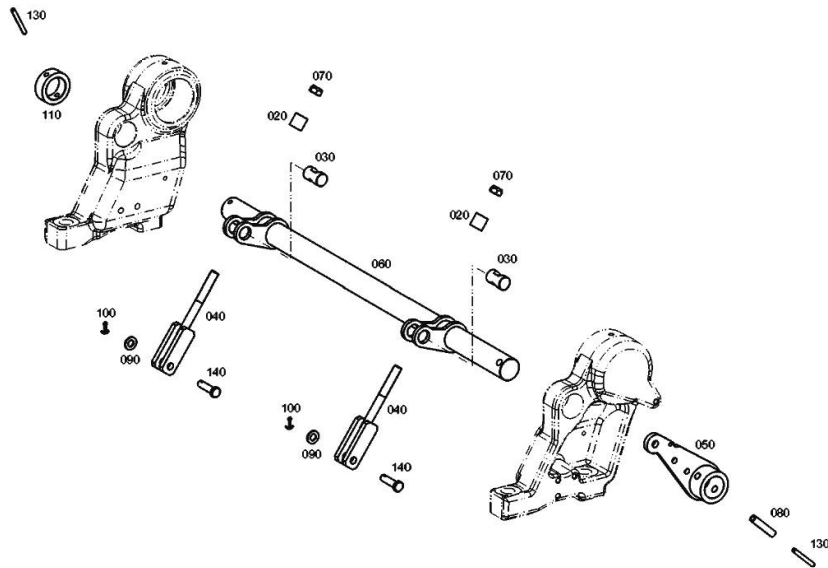
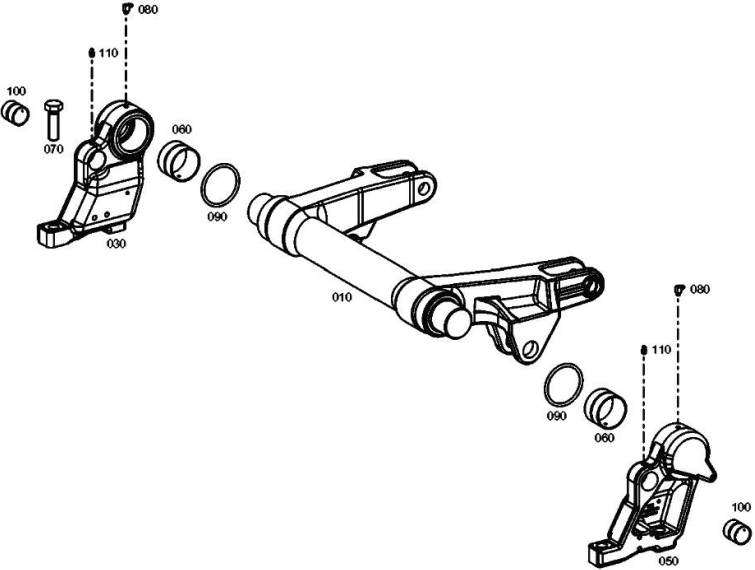
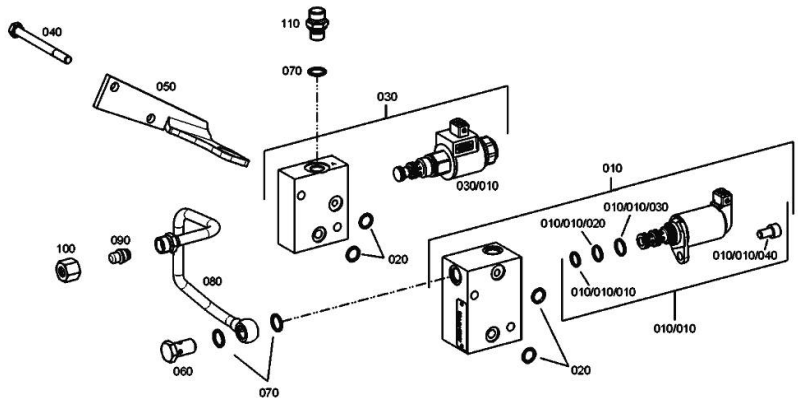


Fig.	P/n	QTY	Name
10	0.900.0824.6	1	shaft
30	0.900.1407.9	1	bearing block dx/rh/re
50	0.900.1408.0	1	bearing block sx/lh/li
60	04417549	2	special bushing
70	0.900.0469.1	4	screw m 20x65
80	0.900.0498.6	2	grease gun
90	04417552	2	ring 78.5x6
100	0.900.1431.3	2	bearing
110	0.010.2922.2	2	grease gun m 8 p.1 x 8



**SOLENOID VALVE - 2095 011 003**

Fig.	P/n	QTY	Name
10	0.900.0952.1	1	control
10.10	0.900.0952.8	1	solenoid valve DV
10.10.10	0.900.1377.6	1	gasket 13 x 1.5
10.10.20	0.900.1377.5	1	gasket 12,4 x 1,78
10.10.30	0.900.1377.7	1	gasket 14x1.78
10.10.40	0.900.1377.8	1	screw m 8 x 16
20	0.900.0801.4	4	ring 11,3 x 2,4 NBR-70-10
30	0.900.1363.3	1	small block
30.10	0.900.1384.6	1	solenoid valve
40	0.900.1405.5	2	screw m 8x90
50	0.900.1499.9	1	plate
60	0.900.2189.8	3	screw
70	04423731	1	oil seal 14 x 18
80	0.900.2181.6	1	pipng
90	0.900.1638.1	1	plug
100	0.900.2158.6	1	nut
110	0.900.2209.1	1	pipe union



**GEARBOX - 2095 011 003**

Fig.	P/n	QTY	Name
10	0.900.2189.9	1	box
11	04433579	1	oil seal 13.80 - 2.60
12	0.900.2182.1	1	insert
18	01118830	1	oil seal 42x49
20	04435197	1	plug
20.20	02315144	1	oil seal 38x2.5
30	0.900.0800.6	1	temperature gauge
30.10	0.900.0801.6	1	ring 11x2 ZFN 744 FPM-80-10
80	0.010.2887.1	1	screw m 14 x 60
100	0.010.2887.1	12	screw m 14 x 60
110	0.010.3354.1	6	screw m 14x130
130	0.010.3354.1	4	screw m 14x130
140	04416088	1	number plate
170	04438450	1	speed sensor L = 53,0mm
170.10	04417747	1	oil seal 15.54x2.62
180	04434551	1	screw m 8 p.1.25 x 20
200	04416090	4	cylindrical plug 16 m 6x30
220	0.010.3437.0	1	flexible hose
220.20	0.010.3344.1	1	circlip 15x1
220.30	06214801	1	oil seal 12x1.5
230	04416628	1	screw
241	0.010.3257.2	1	gasket 28x2.5
250	0.900.2190.0	1	cover
260	0.900.1639.3	2	screw
270	04434343	2	screw
270.20	04415900	1	oil seal

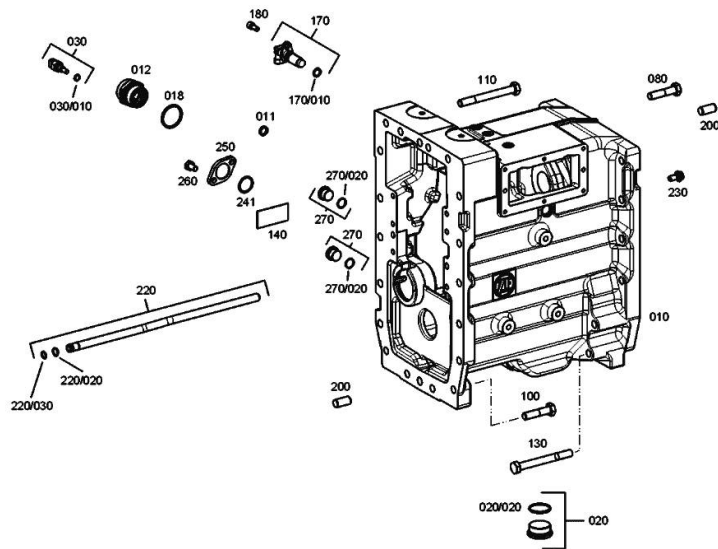
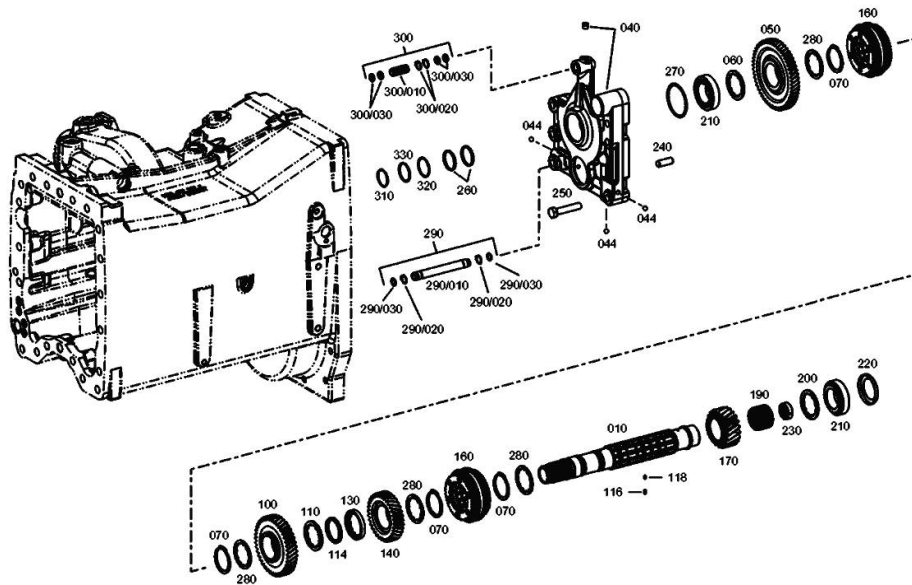
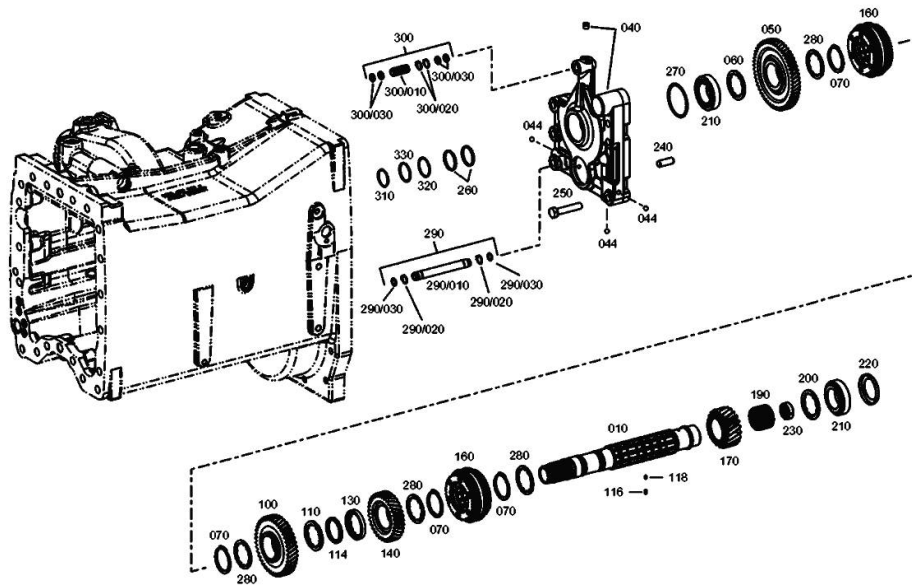


Fig.	P/n	QTY	Name
10	0.900.0956.3	1	shaft
40	0.900.1289.3	1	cap
44	04415909	3	ball
50	0.900.2183.3	1	gear
60	04416108	1	shim mm 3.2
70	04416096	4	circlip
100	0.900.0956.1	1	gear
110	04416099	1	shim mm 4.0
114	04416100	1	ring
116	04416101	1	pin 4x8
118	04416102	1	pin 2.5x8
130	04416103	1	shim
140	0.900.2183.4	1	gear
160	0.900.0462.5	2	lock synchronizer
170	0.900.2183.5	1	gear
190	0.900.2223.5	1	needle
200	0.010.3418.0	1	washer mm 3.3
200	0.010.3418.1	1	washer mm 3.4
200	04416108	1	shim mm 3.2
200	04416109	1	shim mm 3.5
210	04416110	2	roller bearing
220	02374320	1	fan
230	04416112	1	bearing
240	04416439	2	cylindrical plug 12x25
250	0.010.3354.2	6	screw m 12 x 60
260	04335064	2	oil seal 34x3
270	04417246	1	shim mm 1.00
270	04417247	1	shim mm 1.05
270	04417248	1	shim mm 1.10
270	04417249	1	shim mm 1.15
270	04417250	1	shim mm 1.20
270	04417251	1	shim mm 1.25
270	04417252	1	shim mm 1.30
270	04417253	1	shim mm 1.35
270	04417254	1	shim mm 1.40
270	04417268	1	shim mm 1.45
270	04417269	1	shim mm 1.50
270	04417270	1	shim mm 1.60
270	04417271	1	shim mm 1.60
270	04419713	1	shim mm 1.65
270	04419714	1	shim mm 1.70
270	04419715	1	shim mm 1.75
270	04419716	1	shim mm 1.80
270	04419717	1	shim mm 1.85



Section: D0 - TRANSMISSION  
**LAYSHAFT - 2095 011 003**

Fig.	P/n	QTY	Name
270	04419718	1	shim mm 1.90
270	04419719	1	shim mm 1.95
270	04419720	1	shim mm 2.00
270	04419721	1	shim mm 2.05
270	04419722	1	shim mm 2.10
270	04419723	1	shim mm 2.15
270	04419724	1	shim mm 2.20
280	0.900.0282.7	1	slewing ring
290	0.010.3437.1	4	flexible hose
290.10	04416629	1	tube
290.20	0.010.3344.1	2	circlip 15x1
290.30	06214801	2	oil seal 12x1.5
300	0.010.3436.1	1	flexible hose
300.10	04431768	1	tube
300.20	0.010.3344.1	2	circlip 15x1
300.30	04419168	4	oil seal 11x2.5
310	0.900.0293.6	1	locking segment
320	04431776	1	ring mm 1.30
330	04416116	1	circlip





**Suggest:**

**For more complete manuals. Please go to the home page.**

**<https://www.ebooklibonline.com>**

**If the above button click is invalid. Please download this document first, and then click the above link to download the complete manual.**

**Thank you so much for reading**

**MAIN SHAFT - 2095 011 003**

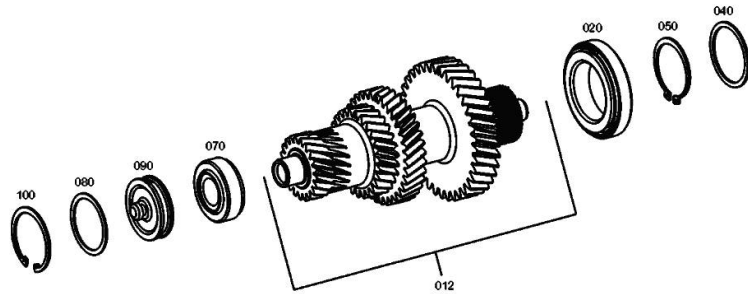
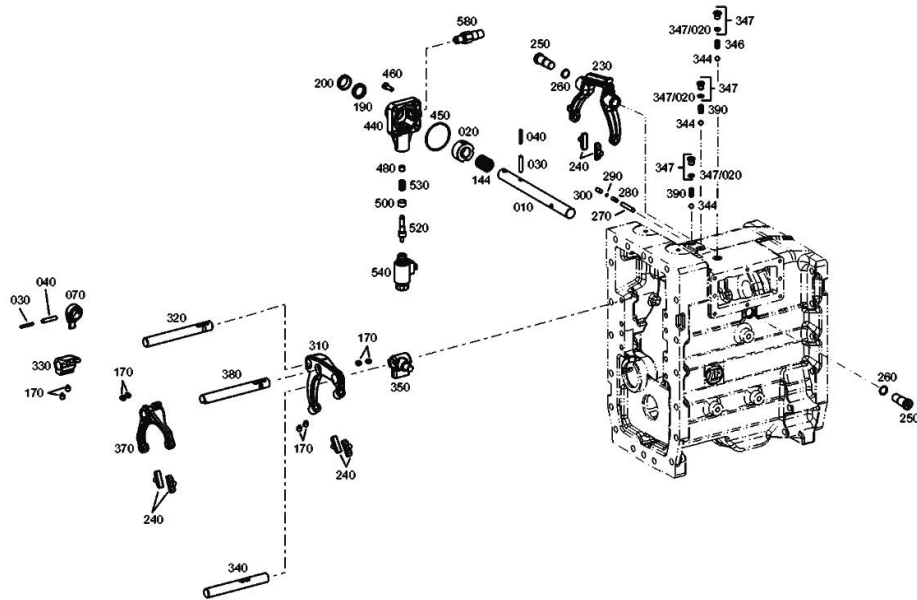


Fig.	P/n	QTY	Name
12	0.900.2183.6	1	main shaft
20	04438468	1	roller bearing
40	04417051	1	washer mm 2.40
40	04417052	1	washer mm 2.45
40	04417053	1	washer mm 2.50
40	04417054	1	washer mm 2.55
40	04417055	1	washer mm 2.60
40	04424430	1	washer mm 2.65
40	04424431	1	washer mm 2.70
50	0.010.3345.2	1	circlip 52x2
70	04368537	1	roller bearing
80	0.010.3395.0	1	small block mm 1.75
80	0.010.3395.1	1	small block mm 1.80
80	0.900.2183.7	1	washer
80	0.900.2183.8	1	washer
80	0.900.2183.9	1	washer
80	04416486	1	shim mm 1.30
80	04416487	1	shim mm 1.35
80	04416488	1	shim mm 1.40
80	04416489	1	shim mm 1.45
80	04416490	1	shim mm 1.50
80	04416491	1	shim mm 1.55
80	04416492	1	shim mm 1.60
80	04416493	1	shim mm 1.65
80	04416494	1	shim mm 1.70
90	04416612	1	ring
100	04416121	1	circlip 57x2

**DRIVE - 2095 011 003**

Fig.	P/n	QTY	Name
10	0.900.0285.4	1	shaft
20	0.900.0285.3	1	ring
30	04416371	2	pin
40	04416191	2	pin 5 x 36
70	0.900.0284.8	1	lever
144	0.900.0283.1	1	clip
170	01272647	9	stud bolt L = 13.7
190	04415773	1	oil seal 25x35x7
200	04415774	1	oil seal AS 25x35x7x10
230	0.900.0956.5	1	fork
240	04415779	6	shoe
250	04416145	2	screw
260	0.010.2619.1	2	oil seal 17x2
270	04415787	1	ferrule
280	01299482	1	spring
290	04415788	1	circlip B 7 din 7993
300	04416148	1	ferrule
310	0.900.0956.7	1	fork
320	0.900.1408.7	1	rod
330	04416151	1	control panel
340	0.900.0285.6	1	rod
344	04309268	3	ball
346	01272113	1	spring
347	04433215	3	plug
347.20	04415796	1	oil seal 9.5x2
350	0.900.0285.1	1	driver
370	0.900.0956.4	1	fork
380	0.900.1408.6	1	rod
390	04416041	2	spring
440	0.900.0285.2	1	cover
450	0.900.0279.0	1	ring
460	04434546	2	screw m 8 x 30
480	0.900.1405.2	1	bearing
500	04416443	1	bearing
520	0.900.0286.7	1	interlock
530	0.010.3420.0	1	spring
540	0.010.3343.0	1	electromagnet
580	04416066	1	switch



**<https://www.ebooklibonline.com>**

Hello dear friend!

Thank you very much for reading.

Enter the link into your browser.

The full manual is available for immediate download.

**<https://www.ebooklibonline.com>**