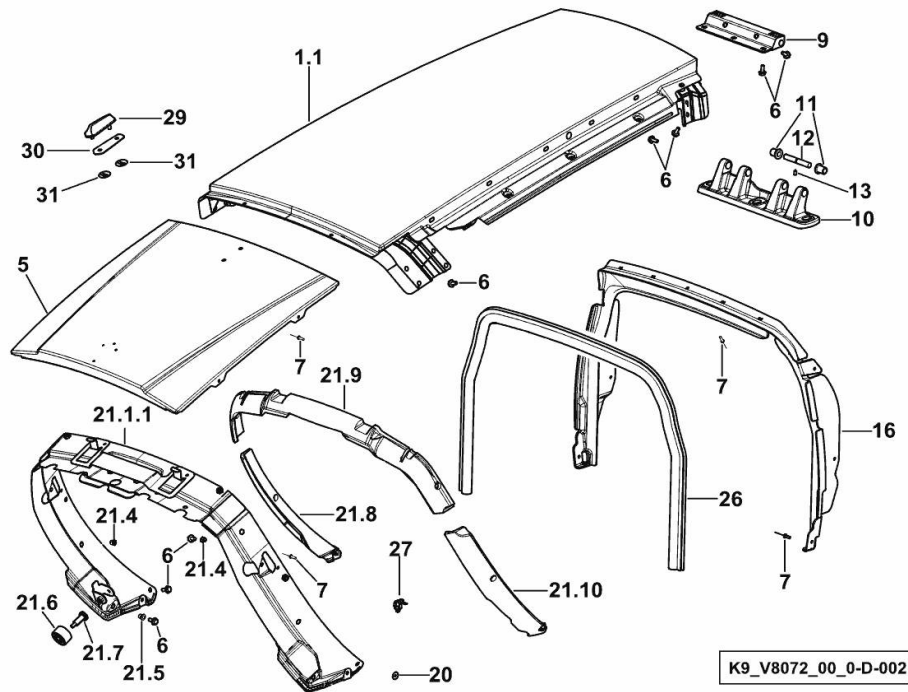


HOOD

Fig.	P/n	QTY	Name
------	-----	-----	------

Notes:

[FORTIS 120.4 Infinity]



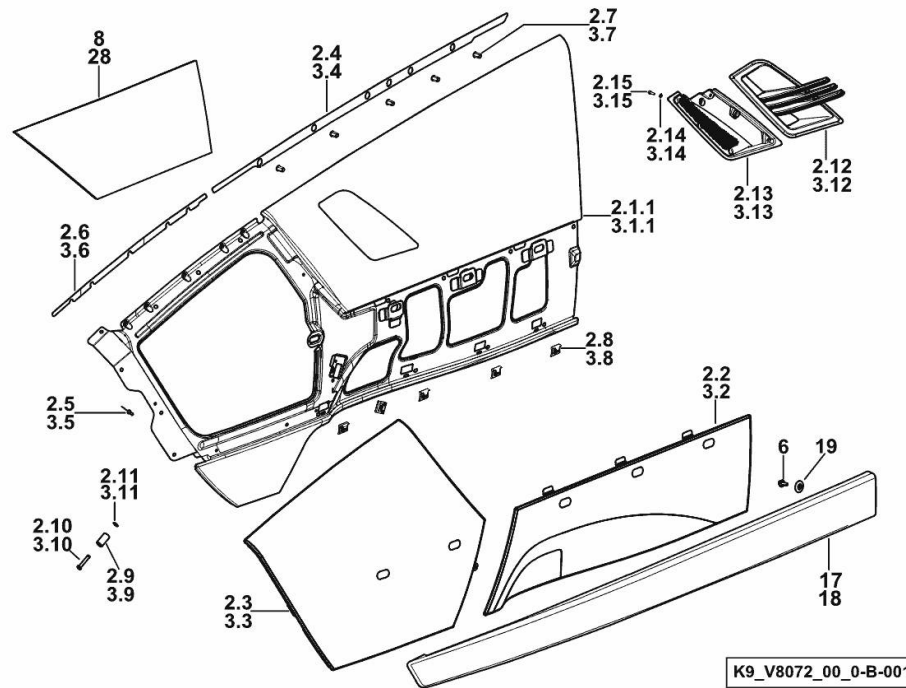
1.1	0.019.9525.3	1	upper hood
5	0.021.9634.7	1	grille (-> 50010)
6	2.0129.065.0	51	screw m 6 x 14
7	2.1856.004.0	21	rivet 4
9	0.013.1914.3/20	1	hinge
10	0.013.0881.0/40	1	support
11	2.1559.147.0	4	bushing
12	2.1699.563.0	2	pin 10x70
13	2.0532.003.7	2	grub screw m 5x10
16	0.014.3706.0/10	1	chassis frame
20	2.1312.003.2	2	washer 6
21.1.1	0.013.5380.3/30	1	chassis frame
21.4	2.1149.005.2	4	bush m 6
21.5	2.1140.018.2	2	nut m 6 p.1, d934
21.6	0.012.7257.0/10	2	roller
21.7	0.012.8465.0	2	screw m 6
21.8	0.013.8958.2	1	gasket dx/rh/re
21.9	0.013.8956.2	1	gasket
21.10	0.013.8968.2	1	gasket sx/lh/li
26	0.014.4405.0	1	gasket
27	2.6859.108.0	7	clamp
29	0.018.8461.0/10	1	profile
30	0.018.7852.0	1	gasket
31	2.6999.074.0	2	clip 6 x 24

BONNET - SIDES SX/LH/LI - DX/RH/RE

Fig.	P/n	QTY	Name
------	-----	-----	------

Notes:

[FORTIS 120.4 Infinity]



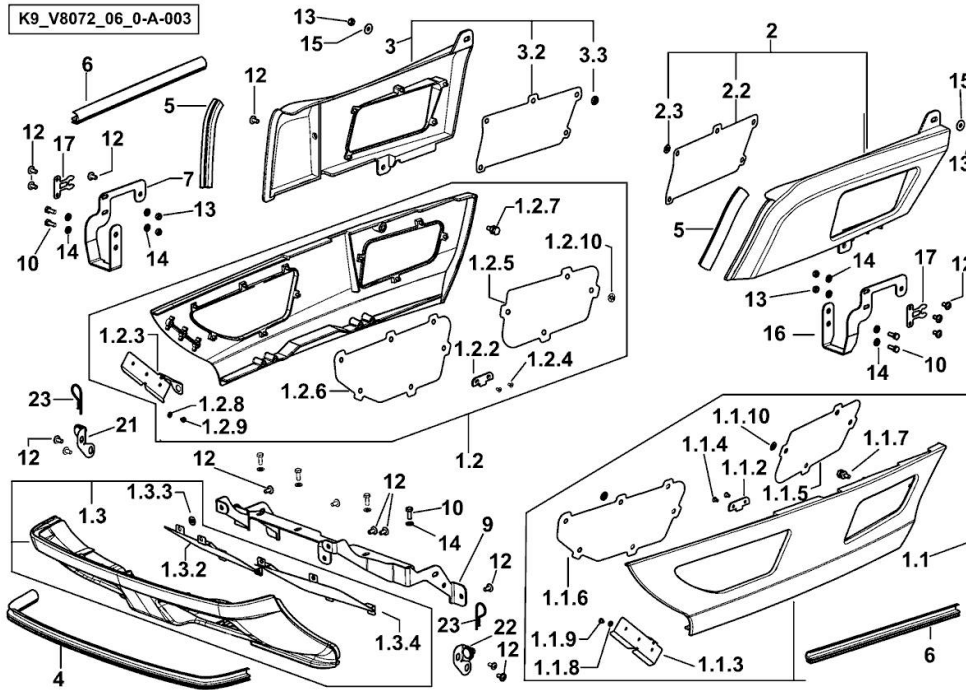
2.1.1	0.018.7112.3/10	1	left hand side panel
2.2	0.014.3695.3/10	1	grille sx/lh/li
2.3	0.014.3696.3	1	grille sx/lh/li
2.4	0.014.1785.0	1	gasket sx/lh/li
2.5	2.1856.004.0	8	rivet 4
2.6	0.012.9163.0/10	1	gasket sx/lh/li
2.7	2.1149.004.2	5	insert m 6
2.8	0.014.4513.0	5	spring
2.9	0.013.2570.0	1	bush
2.10	0.013.2571.0	1	small pin
2.11	2.1430.006.2	1	circlip 5
2.12	0.018.7114.7/10	1	grille sx/lh/li
2.13	0.018.6875.0/10	1	grille sx/lh/li
2.14	2.1310.028.2	6	flat washer
2.15	2.0312.702.2	6	screw m 4.0 x 12
3.1.1	0.019.0873.3	1	right hand side panel
3.2	0.019.0863.3	1	grille dx/rh/re
3.3	0.014.3702.3	1	grille dx/rh/re
3.4	0.014.1798.0	1	gasket dx/rh/re
3.5	2.1856.004.0	7	rivet 4
3.6	0.012.9164.0/10	1	gasket dx/rh/re
3.7	2.1149.004.2	5	insert m 6
3.8	0.014.4513.0	5	spring
3.9	0.013.2570.0	1	bush
3.10	0.013.2571.0	1	small pin
3.11	2.1430.006.2	1	circlip 5
3.12	0.018.7120.7/10	1	grille dx/rh/re
3.13	0.018.6885.0/10	1	grille dx/rh/re
3.14	2.1310.028.2	6	flat washer
3.15	2.0312.702.2	6	screw m 4.0 x 12
6	2.0129.065.0	51	screw m 6 x 14
8	0.018.8432.0	1	shield sx/lh/li
17	0.019.1679.3/10	1	fascia sx/lh/li
18	0.019.0862.3/10	1	fascia dx/rh/re
19	0.013.8255.0/10	10	spacer
28	0.018.8431.0	1	shield dx/rh/re

BONNET - FRONT PORTION

Fig.	P/n	QTY	Name
------	-----	-----	------

Notes:

[FORTIS 120.4 Infinity] -> 50010



1.1	0.017.8075.4/40	1	fascia sx/lh/li
1.1.2	0.017.6356.0/10	2	bracket
1.1.3	0.020.1308.0	1	bracket sx/lh/li
1.1.4	2.0342.022.6	4	screw m4x0.7x8
1.1.5	0.017.8055.0/10	1	grille
1.1.6	0.017.8057.0/20	1	grille
1.1.7	0.017.6364.0	1	pin
1.1.8	2.1310.028.2	3	flat washer
1.1.9	2.0332.201.6	3	screw m4x8
1.1.10	2.6999.053.0	10	clip D5x15
1.2	0.017.8076.4/30	1	fascia dx/rh/re
1.2.2	0.017.6356.0/10	2	bracket
1.2.3	0.020.1309.0	1	bracket dx/rh/re
1.2.4	2.0342.022.6	4	screw m4x0.7x8
1.2.5	0.017.8055.0/10	1	grille
1.2.6	0.017.8057.0/20	1	grille
1.2.7	0.017.6364.0	1	pin
1.2.8	2.1310.028.2	3	flat washer
1.2.9	2.0332.201.6	3	screw m4x8
1.2.10	2.6999.053.0	10	clip D5x15
1.3	0.021.4412.4	1	fascia
1.3.2	0.017.8058.0/30	1	grille dx/rh/re
1.3.3	2.6999.053.0	8	clip D5x15
1.3.4	0.017.8747.0/20	1	grille sx/lh/li
2	0.017.8085.4/10	1	grille
2.2	0.017.8050.0/10	1	grille
2.3	2.6999.053.0	5	clip D5x15
3	0.017.8086.4/10	1	grille
3.2	0.017.8050.0/10	1	grille
3.3	2.6999.053.0	5	clip D5x15
4	0.017.8066.0	1	gasket
5	0.017.6394.0	2	gasket
6	0.017.8067.0	2	gasket
7	0.018.2035.3/30	1	bracket dx/rh/re
9	0.018.3765.2/20	1	bracket
10	2.0112.005.2	8	screw m 6 p.1 x 16
12	2.0339.020.0/10	15	screw m6x12
13	2.1011.103.2	6	nut m 6 p.1
14	2.1310.002.2	12	flat washer 6.4x12.5
15	2.1312.003.2	7	washer 6
16	0.018.2034.3/40	1	bracket sx/lh/li

<https://www.ebooklibonline.com>

Hello dear friend!

Thank you very much for reading.

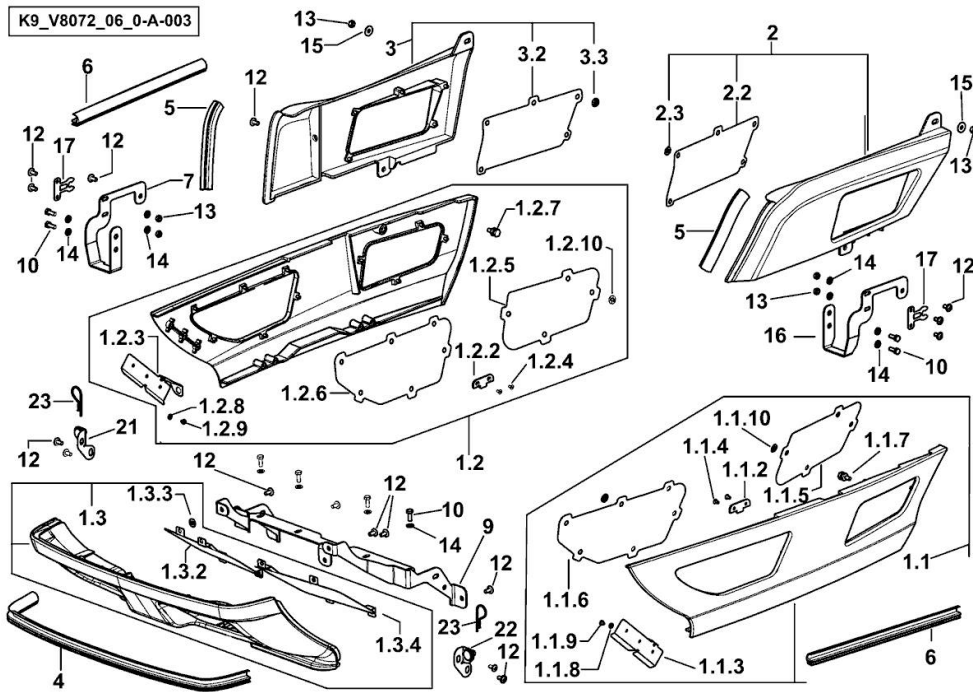
Enter the link into your browser.

The full manual is available for immediate download.

<https://www.ebooklibonline.com>

BONNET - FRONT PORTION

Fig.	P/n	QTY	Name
17	0.017.6361.0/30	2	stop
21	0.020.0776.3/10	1	bracket dx/rh/re
22	0.020.0765.3/10	1	bracket sx/lh/li
23	2.1692.001.2	2	split pin



HOOD - SUPPORTS

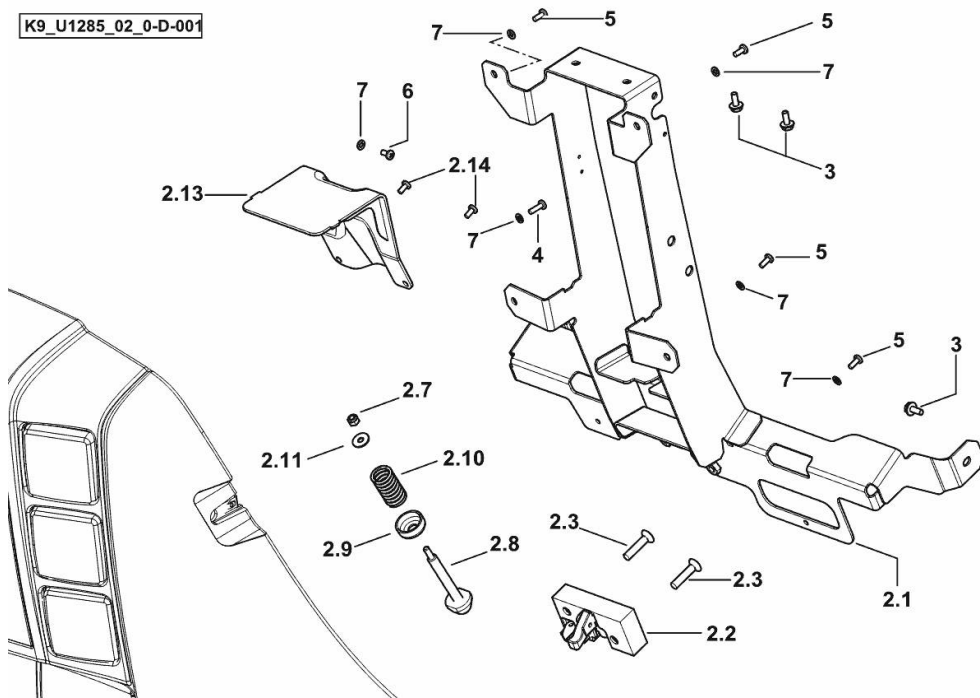
Fig.	P/n	QTY	Name
------	-----	-----	------

Notes:

- FOR LEFT-HAND DRIVE [FORTIS 120.4 Infinity]

2.1	0.019.0396.3/10	1	chassis frame
2.2	0.013.0113.4	1	lock
2.3	2.0342.309.6	2	screw m 8 p.1.25 x 35
2.7	2.1121.003.2	2	self-locking nut
2.8	0.013.2389.2/10	1	pin
2.9	04417412	1	cup
2.10	2.4019.773.2/10	1	spring
2.11	2.1312.003.2	1	washer 6
2.13	0.013.6905.0	1	cover
2.14	2.0332.303.2	2	screw m 5 p.0.8 x 10
3	2.0129.065.0	4	screw m 6 x 14
4	2.0332.306.2	2	screw m 5x0.8x16
5	2.0332.304.2	6	screw m 5 p.0.8 x 12
6	2.0332.303.2	2	screw m 5 p.0.8 x 10
7	2.1310.001.2	10	flat washer 5.3 x 10

K9_U1285_02_0-D-001



HOOD - SUPPORTS

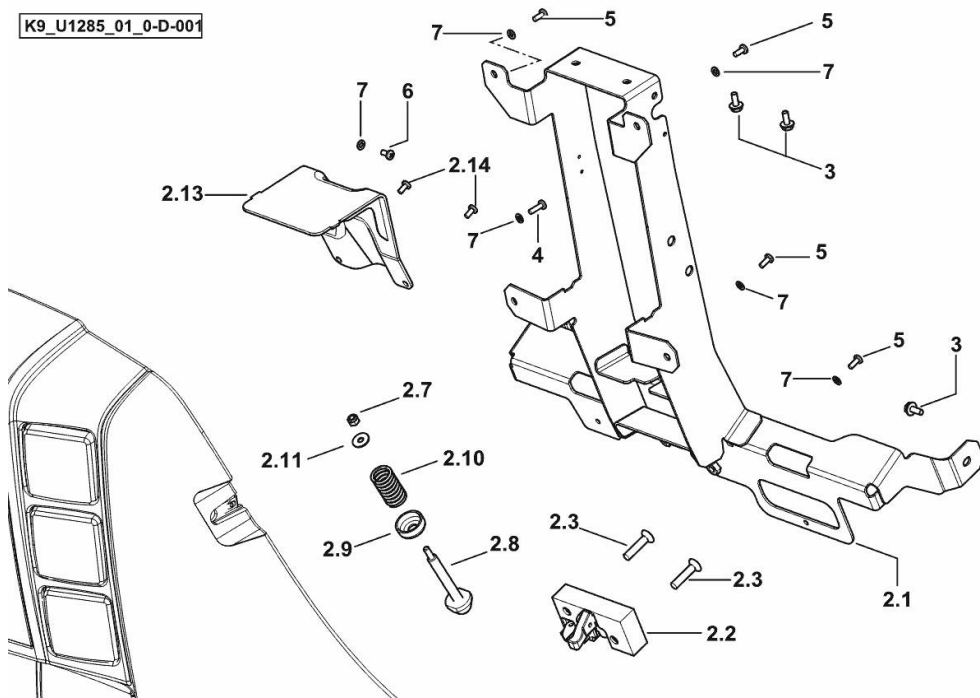
Fig.	P/n	QTY	Name
------	-----	-----	------

Notes:

- FOR RIGHT-HAND DRIVE [FORTIS 120.4 Infinity]

2.1	0.019.0396.3/10	1	chassis frame
2.2	0.013.0113.4	1	lock
2.3	2.0342.309.6	2	screw m 8 p.1.25 x 35
2.7	2.1121.003.2	2	self-locking nut
2.8	0.013.2389.2/10	1	pin
2.9	04417412	1	cup
2.10	2.4019.773.2/10	1	spring
2.11	2.1312.003.2	1	washer 6
2.13	0.013.6905.0	1	cover
2.14	2.0332.303.2	2	screw m 5 p.0.8 x 10
3	2.0129.065.0	4	screw m 6 x 14
4	2.0332.306.2	2	screw m 5x0.8x16
5	2.0332.304.2	6	screw m 5 p.0.8 x 12
6	2.0332.303.2	2	screw m 5 p.0.8 x 10
7	2.1310.001.2	10	flat washer 5.3 x 10

K9_U1285_01_0-D-001

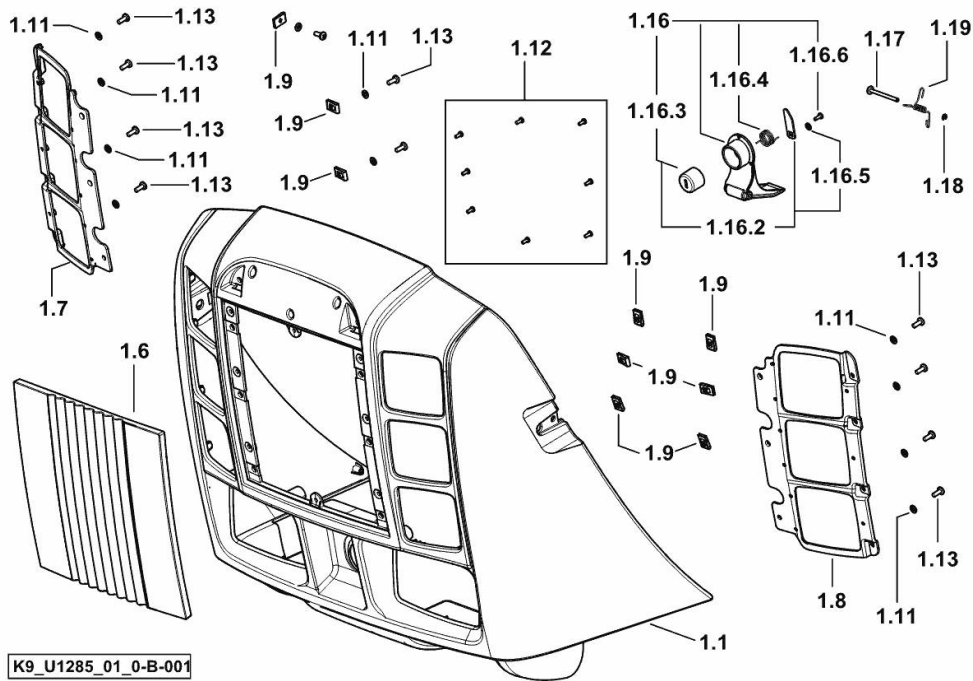


BONNET - FRONT PORTION

Fig.	P/n	QTY	Name
------	-----	-----	------

Notes:

- FOR RIGHT-HAND DRIVE [FORTIS 120.4 Infinity]



K9_U1285_01_0-B-001

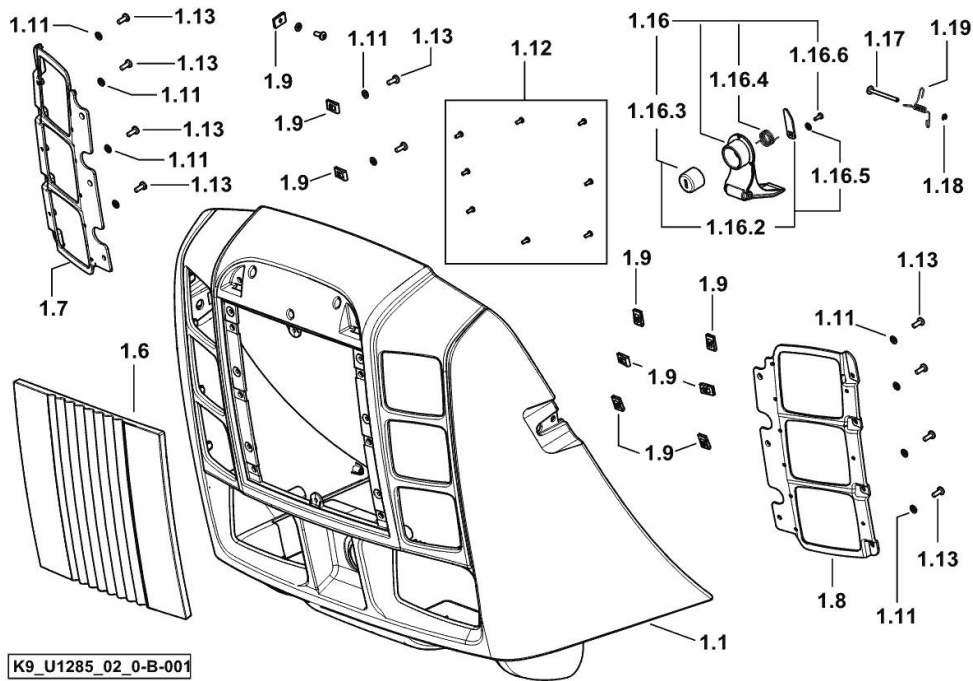
1.1	0.019.0387.3	1	front grille for hood
1.6	0.013.4400.0	1	screen
1.7	0.013.5830.3	1	lamp support dx/rh/re
1.8	0.013.5831.3	1	lamp support sx/lh/li
1.9	2.6999.075.0	12	clip
1.11	2.1310.001.2	12	flat washer 5.3 x 10
1.12	2.0361.305.2	8	screw 3.5/8
1.13	2.0332.304.2	12	screw m 5 p.0.8 x 12
1.16	0.019.0402.4/10	1	handle
1.16.2	0.018.7010.0/10	1	small lever
1.16.3	0.018.7008.0/10	1	push-button
1.16.4	2.4099.180.2/10	1	spring
1.16.5	2.1310.028.2	1	flat washer
1.16.6	2.0350.203.3	1	screw 3.5x9.5
1.17	2.1679.113.2	1	pin
1.18	2.1430.004.2	1	circlip 3.2
1.19	2.4099.181.2	1	spring

BONNET - FRONT PORTION

Fig.	P/n	QTY	Name
------	-----	-----	------

Notes:

- FOR LEFT-HAND DRIVE [FORTIS 120.4 Infinity]



K9_U1285_02_0-B-001

1.1	0.019.0387.3	1	front grille for hood
1.6	0.013.4400.0	1	screen
1.7	0.013.5830.3	1	lamp support dx/rh/re
1.8	0.013.5831.3	1	lamp support sx/lh/li
1.9	2.6999.075.0	12	clip
1.11	2.1310.001.2	12	flat washer 5.3 x 10
1.12	2.0361.305.2	8	screw 3.5/8
1.13	2.0332.304.2	12	screw m 5 p.0.8 x 12
1.16	0.019.0402.4/10	1	handle
1.16.2	0.018.7010.0/10	1	small lever
1.16.3	0.018.7008.0/10	1	push-button
1.16.4	2.4099.180.2/10	1	spring
1.16.5	2.1310.028.2	1	flat washer
1.16.6	2.0350.203.3	1	screw 3.5x9.5
1.17	2.1679.113.2	1	pin
1.18	2.1430.004.2	1	circlip 3.2
1.19	2.4099.181.2	1	spring

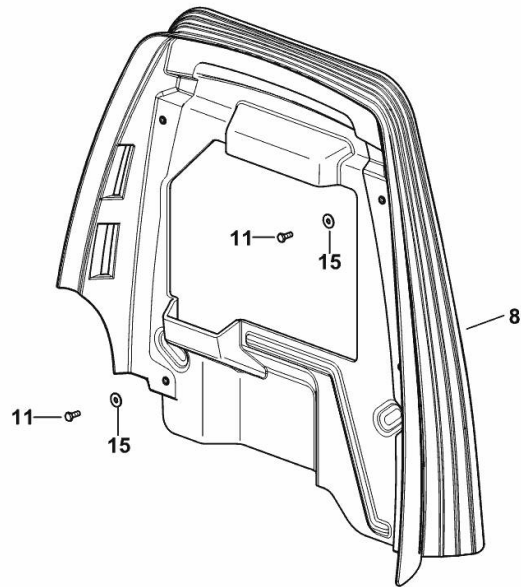
CONNECTION FRAME

Fig.	P/n	QTY	Name
------	-----	-----	------

Notes:

[FORTIS 120.4 Infinity]

8	0.018.7338.4/20	1	frame
11	2.0114.005.2	5	screw m 6 p.1.0 x 16
15	2.1312.003.2	7	washer 6



K9_V8072_06_0-B-001

HOOD - SUPPORTS

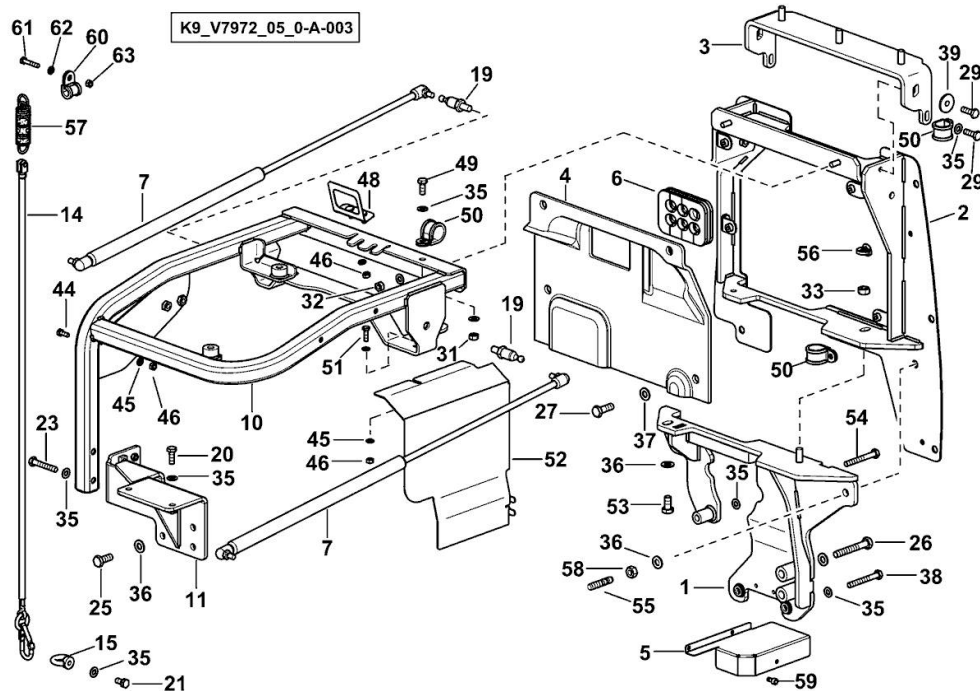


Fig.	P/n	QTY	Name
------	-----	-----	------

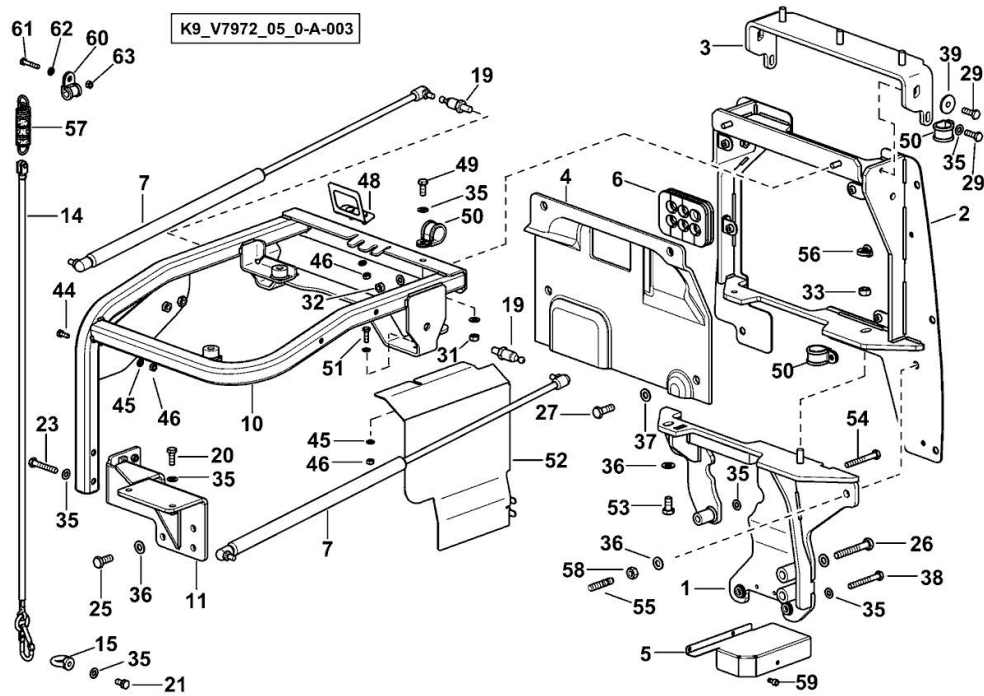
Notes:

[FORTIS 120.4 Infinity]

1	0.018.5211.3/30	1	support
2	0.018.5311.3/50	1	chassis frame
3	0.017.5443.3/10	1	bracket
4	0.018.2260.0/20	1	cover
5	0.018.6325.3	1	cover
6	0.018.6499.0/40	1	rubber plug
7	0.013.1311.4	2	shock absorber
10	0.018.5510.3/50	1	chassis frame
11	0.018.2570.3	1	bracket
14	0.017.1219.4	1	cord
15	0.016.3348.2	1	eyebolt m 8 p.1.25
19	04450691	2	cap
20	2.0112.208.2	2	screw m 8 p.1.25 x 22
21	2.0112.205.2	1	screw m 8 p.1.25 x 16
23	2.0112.219.2	2	screw m 8 p.1.25x55
25	2.0112.309.2	4	screw m 10 p.1.5 x 25
26	2.0112.323.2	2	screw m 10 p.1.5x70
27	2.0114.005.2	6	screw m 6 p.1.0 x 16
29	2.0114.209.2	4	screw m 8 x 25
31	2.1011.105.2	1	nut m 8 p.1.25
32	2.1012.105.2	2	nut m 8 p.1.25 x 10
33	2.1012.106.7	1	nut m 10 p.1.5
35	2.1310.004.2	14	flat washer 8.4x17
36	2.1310.006.2	9	flat washer 10.5x21
37	2.1312.003.2	4	washer 6
38	2.0112.222.2	2	screw m 8 p.1.25x65
39	2.1559.520.2	2	bushing
44	2.0112.005.2	2	screw m 6 p.1 x 16
45	2.1310.002.2	6	flat washer 6.4x12.5
46	2.1011.103.2	3	nut m 6 p.1
48	0.019.1625.3/10	1	bracket
49	2.0112.207.2	1	screw m 8 p 1.25 x 20
50	2.6839.054.0	3	clamp Ø 20/25
51	2.0112.007.2	1	screw m 6 p.1 x 20
52	0.018.7671.0/20	1	shield
53	2.0112.307.2	1	screw m 10 p.1.5 x 20
54	2.0112.220.2	1	screw m 8 p.1.25x55
55	2.0114.311.2	1	screw m 10 p.1.25 x 30
56	2.6859.153.0	3	clamp
57	2.6999.049.0	2	clip
58	2.1011.106.2	1	nut m 10 p.1.5

HOOD - SUPPORTS

Fig.	P/n	QTY	Name
59	2.0312.204.2	2	screw m 8 p.1.25 x 16
60	01212670	1	fascia B10X15
61	2.0114.013.2	1	screw m 6 p.1 x 35
62	2.1312.003.2	1	washer 6
63	2.1120.003.2	1	self-locking nut m 6



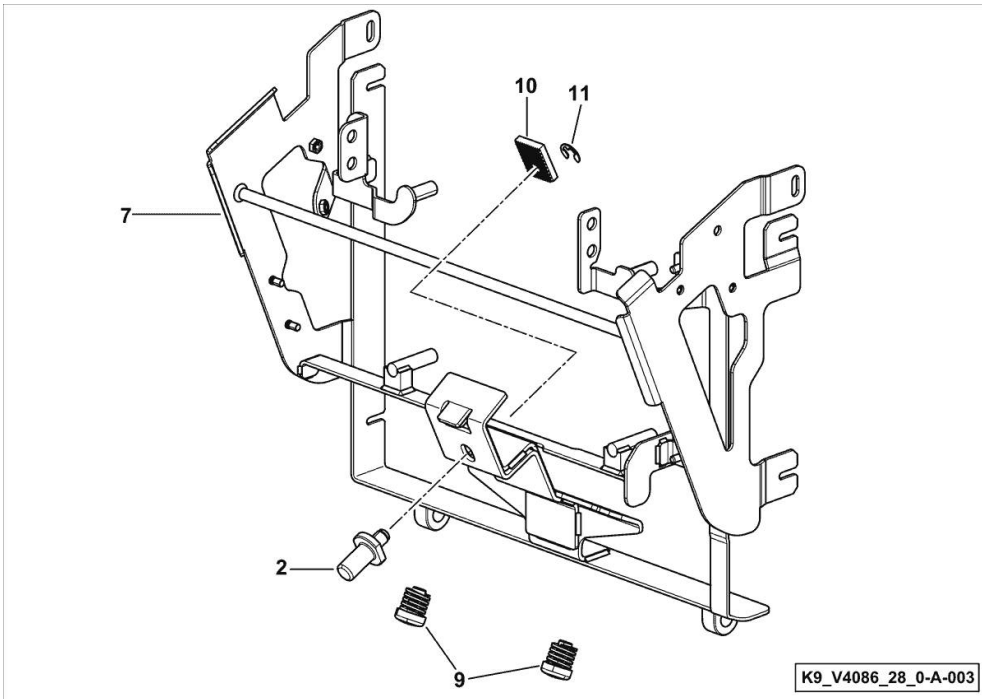
SUPPORT FOR A/C CONDENSER SUPPORT AND FUEL COOLER

Fig.	P/n	QTY	Name
------	-----	-----	------

Notes:

[FORTIS 120.4 Infinity] -> 50010

2	0.018.4709.0/10	1	pin
7	0.020.3246.3/30	1	chassis frame
9	0.013.4391.0	2	stopper
10	0.015.5537.0/10	1	small plate
11	2.1430.011.7	1	circlip 10



FORTIS 120.4 Infinity

Section: G0 - BODYWORK - CAB

Ref: G0.01.53 (4)

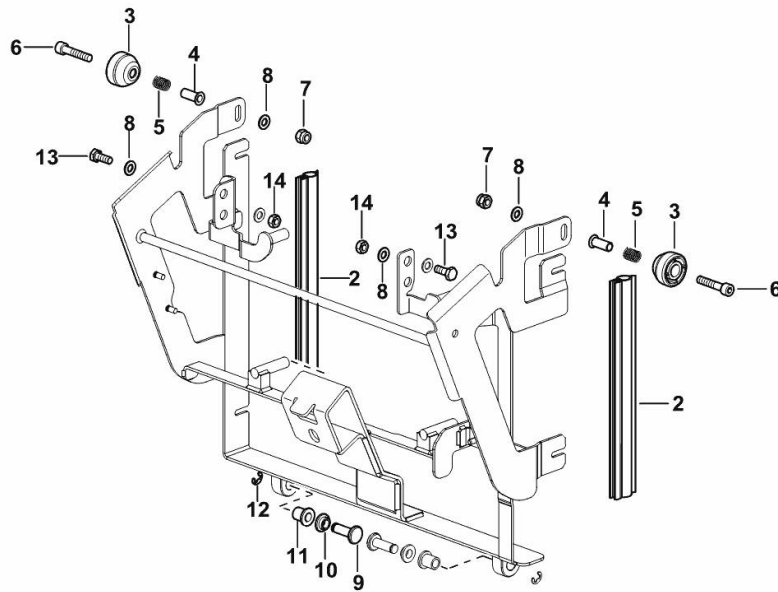
SUPPORT FOR A/C CONDENSER SUPPORT AND FUEL COOLER

Fig.	P/n	QTY	Name
------	-----	-----	------

Notes:

[FORTIS 120.4 Infinity]

2	0.014.4529.0	2	gasket mm 260
3	0.014.4770.0/10	2	knob
4	0.014.4769.0/10	2	bushing
5	2.4019.797.2	2	spring
6	2.0312.214.2	2	screw m 8 p.1.25 x 40
7	2.1120.005.2	2	nut m 8 p.1.25
8	2.1310.004.2	10	flat washer 8.4x17
9	0.017.5707.0	2	pin
10	0.017.5708.0	2	bushing
11	2.1559.147.0	2	bushing
12	2.1430.009.2	2	ring 8
13	2.0112.207.2	4	screw m 8 p.1.25 x 20
14	2.1011.105.2	4	nut m 8 p.1.25



K9_V3986_26_0-A-004



Suggest:

For more complete manuals. Please go to the home page.

<https://www.ebooklibonline.com>

If the above button click is invalid. Please download this document first, and then click the above link to download the complete manual.

Thank you so much for reading

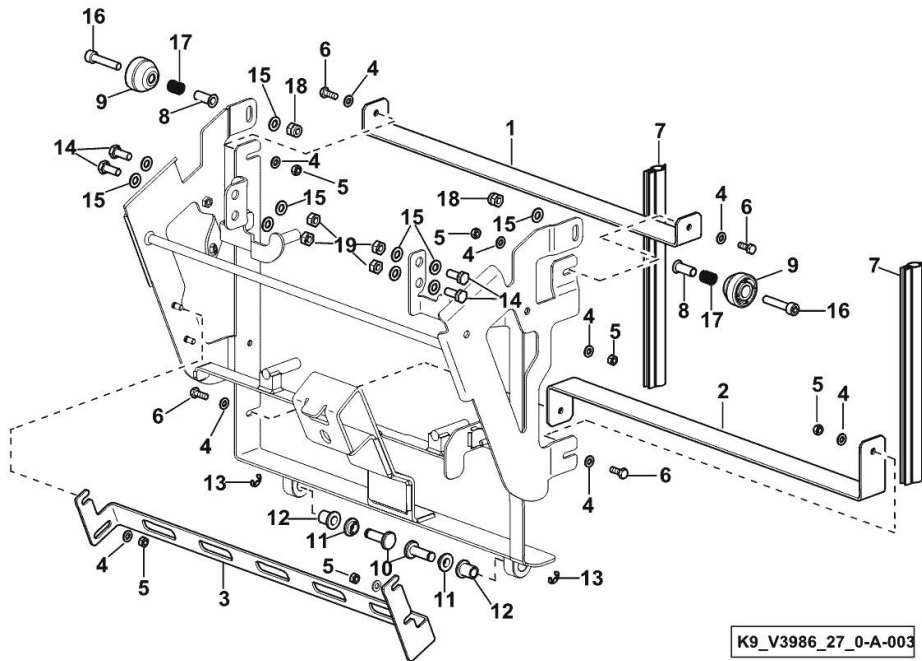
SUPPORTING BRACKETS

Fig.	P/n	QTY	Name
------	-----	-----	------

Notes:

- FOR TRACTORS WITHOUT AIR CONDITIONING [FORTIS 120.4 Infinity]

1	0.019.3591.0	1	bracket
2	0.019.3596.0/10	1	bracket
3	0.019.3601.0/10	1	bracket
4	2.1310.002.2	12	flat washer 6.4x12.5
5	2.1011.103.2	8	nut m 6 p.1
6	2.0112.005.2	4	screw m 6 p.1 x 16
7	0.014.4529.0	2	gasket mm 260
8	0.014.4769.0/10	2	bushing
9	0.014.4770.0/10	2	knob
10	0.017.5707.0	2	pin
11	0.017.5708.0	2	bushing
12	2.1559.147.0	2	bushing
13	2.1430.009.2	2	ring 8
14	2.0112.207.2	4	screw m 8 p 1.25 x 20
15	2.1310.004.2	10	flat washer 8.4x17
16	2.0312.214.2	2	screw m 8 p.1.25 x 40
17	2.4019.797.2	2	spring
18	2.1120.005.2	2	nut m 8 p.1.25
19	2.1011.105.2	4	nut m 8 p.1.25



SUPPORT FOR FUSE BOX AND CONTROL UNITS

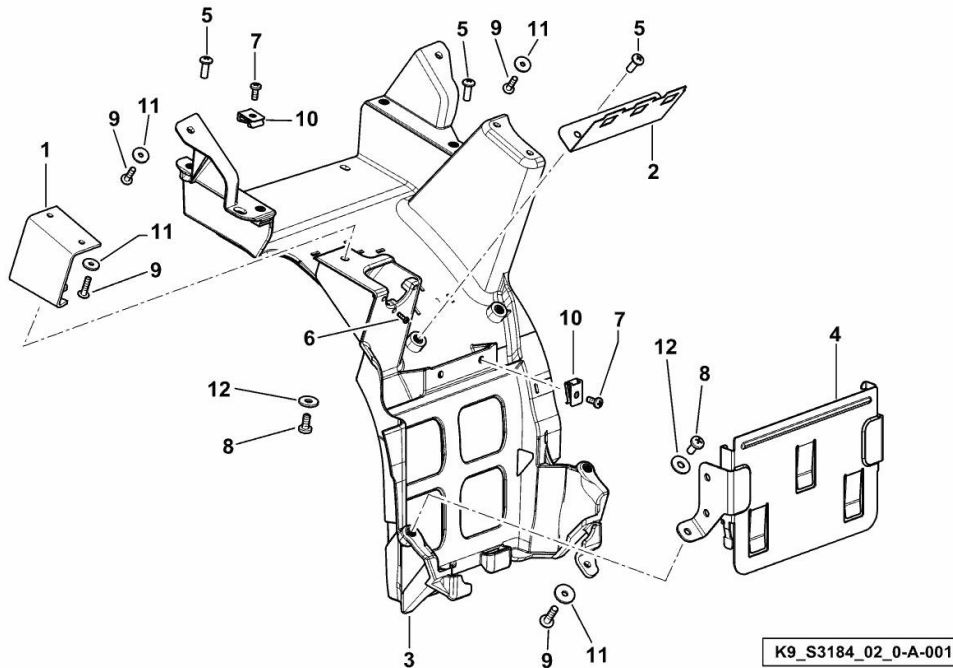


Fig.	P/n	QTY	Name
Notes:			
[FORTIS 120.4 Infinity]			
1	0.015.3701.3/10	1	bracket
2	0.015.3718.0	1	support
3	0.018.4974.2	1	support
4	0.018.4393.3	1	support
5	04413811	6	screw m 6 p.1.0 x 16
6	2.0332.103.2	3	screw m 3x10
7	2.0332.304.2	3	screw m 5 p.0.8 x 12
8	2.0332.405.2	3	screw m 6 x 14
9	04412976	7	screw 4.8x19
10	2.6999.064.6	3	special nut m 6
11	2.1312.001.2	7	washer 4
12	2.1312.003.2	3	washer 6

<https://www.ebooklibonline.com>

Hello dear friend!

Thank you very much for reading.

Enter the link into your browser.

The full manual is available for immediate download.

<https://www.ebooklibonline.com>