

Section: ENGINE
CRANKCASE

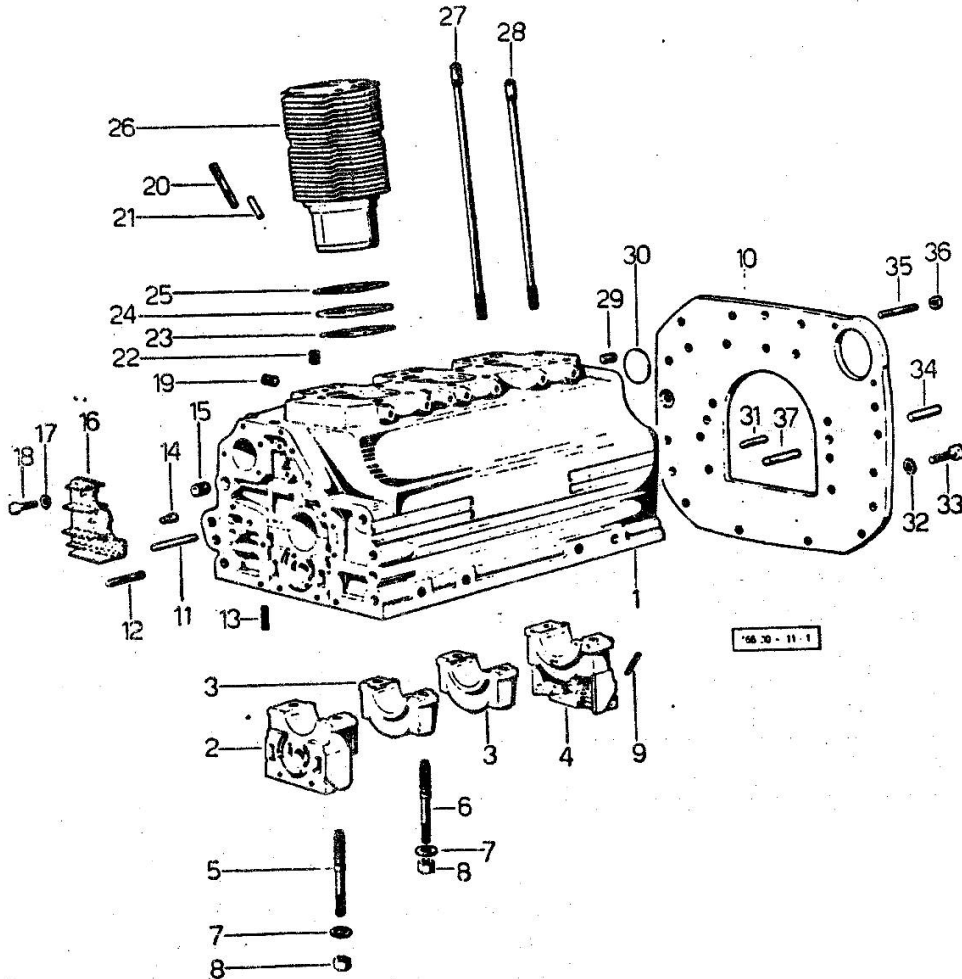


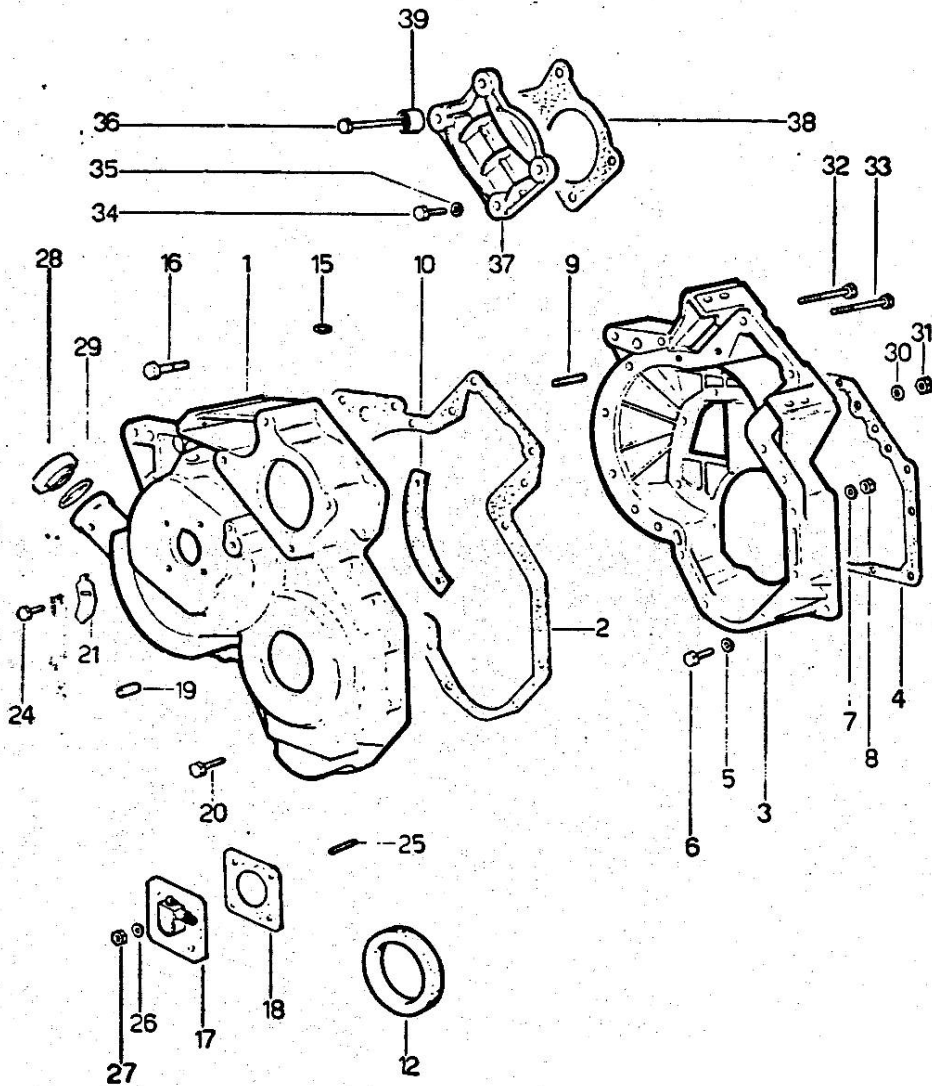
Fig.	P/n	QTY	Name
Notes: [FALCON 50]			
1	0.035.0050.6/10	1	gasket set - FOR ENGINE MOUNTING
1	0.035.1110.4/40	1	crankcase
2	0.004.8776.0	1	support
3	0.029.1113.0	2	support
4	0.029.1116.0	1	support
5	0.021.1157.0	4	stud bolt
7	2.1599.144.7	8	shoulder ring 12.5x23x4
8	2.1019.026.7	8	special nut m 12 p.1.5
9	0.029.1154.0	4	gasket
10	0.029.1130.0/20	1	flange
11	2.1699.116.0	1	pin
12	2.0432.018.1	5	stud bolt m 8 p.1.25 / p.1 x 65
13	2.0432.003.1	24	stud bolt m 8 p.1.25 / p.1 x 20
14	2.1699.021.0	1	pin 7.8x8x20
15	2.3130.002.1	1	plug 1/4" gas
16	0.029.1155.2/20	1	plate
17	2.1470.002.2	2	lock washer 6
18	2.0112.002.2	2	screw m 6 p.1 x 10
19	2.3139.001.1	3	plug
20	2.0432.267.1	2	stud bolt m 12 p.1.75-1.25x60
21	2.1653.708.0	1	pin 8x18
22	2.3130.001.1	3	plug 1/8" gas
23	2.1569.055.0	3	shim
24	2.1589.037.0	3	shim
25	2.1589.036.0	3	shim
26	0.036.1120.0/10	3	engine cylinder
27	0.039.1122.0	12	stud bolt m 12 p.1.5x310
28	0.037.1122.0	3	stud bolt
29	2.3130.002.1	1	plug 1/4" gas
30	2.3170.022.1	1	expansion plug 60
31	2.1653.708.0	2	pin 8x18 31053 <=
32	2.1470.008.2	11	lock washer 14
33	2.0112.511.1	11	screw m 14 p.2 x 30
34	2.1652.911.0	2	cylindrical plug 12x25
35	2.0439.033.1	2	stud bolt m 10x28
36	2.1011.421.2	2	nut m 10 p.1.25
37	2.0432.155.1	2	stud bolt m 10 p.1.5 / p. 1.25 x 25

Section: ENGINE
TIMING CASE

Fig.	P/n	QTY	Name
------	-----	-----	------

Notes:
[FALCON 50]

1	0.027.1155.0/30	1	governor housing 35286 <=
1	0.027.1155.0/40	1	guard => 35287
2	0.027.1156.0	1	gasket
3	0.027.1154.0/30	1	flange
4	0.029.1153.0/10	1	gasket
5	2.1480.014.1	8	washer 8
6	2.0112.207.2	8	screw m 8 p 1.25 x 20
7	2.1480.014.1	15	washer 8
8	2.1011.405.2	15	nut m 8 p.1
9	2.0439.060.2	3	stud bolt m 8 p.1.25-1x22
10	0.027.1152.0/20	1	small plate
12	2.1519.010.0	1	special oil seal 58x80x10
15	2.1530.028.0	1	oil seal 11.91 x 2.62
16	2.0122.222.2	1	screw
17	2.7049.210.0/20	1	transmission
18	0.026.1150.0	1	gasket
19	2.1653.711.0	1	pin
20	2.0122.213.2	4	screw m 8 p.1x35
21	0.027.1150.0/10	1	index
24	2.0112.103.1	1	screw m 7 p.1.x12
24	2.0112.204.2	1	screw m 8 p.1.25x14
25	2.0439.055.1	4	stud bolt m 6 p.1 x 18
26	2.1474.007.1	4	spring washer 6
27	2.1011.103.2	4	nut m 6 p.1
28	0.022.1135.3	1	plug
29	2.1569.048.0	1	gasket
30	2.1474.009.1	2	spring washer 8
31	2.1011.405.2	1	nut m 8 p.1
32	2.0122.224.1	1	screw
33	2.0122.225.2	1	screw m 8 p.1x80
34	2.0112.211.2	2	screw m 8 p.1.25 x 30
35	2.1474.009.1	4	spring washer 8
36	2.0122.233.2	2	screw
37	0.029.1163.0	1	small cover
38	0.054.1155.0	1	gasket
39	2.1579.191.2	2	spacer 8.5 x 18 x 20



Section: ENGINE

CRANKSHAFT

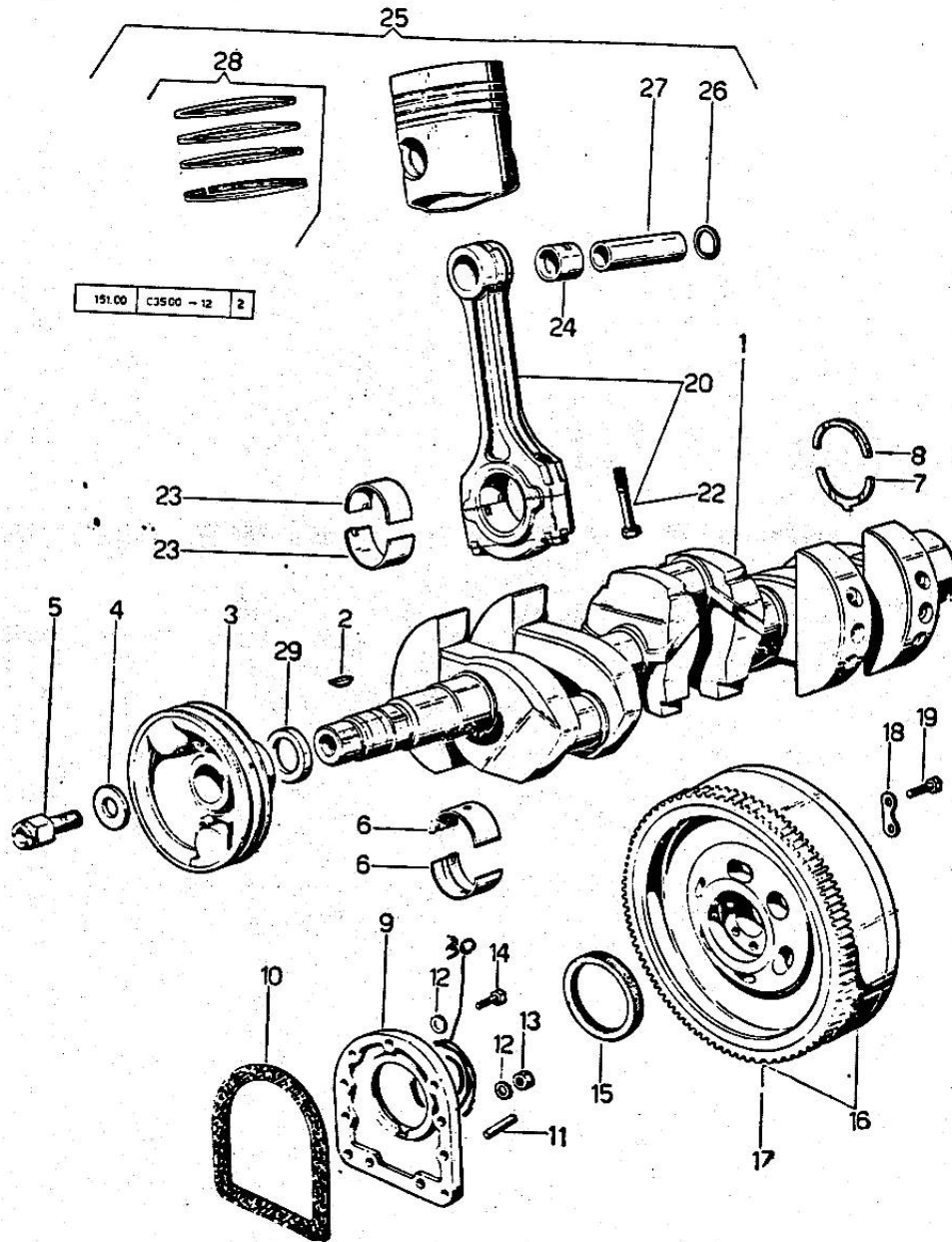


Fig.	P/n	QTY	Name
1	0.029.1210.3/30	1	crankshaft 35286 <=
1	0.029.1210.4/30	1	crankshaft 35286 <=
1	0.053.1210.3	1	old part number => 35287
1	0.053.1210.4	1	crankshaft => 35287
1	2.0313.316.1	12	screw m 10 p.1.5 x 50
1	2.1474.010.1	12	spring washer 10
2	2.1799.002.0	1	stick 10x13
3	0.035.1244.0/20	1	pulley 35286 <=
3	0.035.1265.0	1	pulley => 35287
4	0.001.6020.0	1	shoulder
5	2.0129.032.2	1	screw m 24 p.2x45
6	0.029.0066.0	8	main half bushing - mm 1.00
6	0.029.1215.0/10	8	main half bushing
6	0.029.1215.7	8	main half bushing - mm 0.25
6	0.029.1215.8	8	main half bushing - mm 0.50
6	0.029.1215.9	8	main half bushing - mm 0.75
7	0.001.4547.0	2	shoulder ring + mm 0.05
7	0.001.4548.0	2	shoulder ring + mm 0.10
7	0.001.4549.0	2	shoulder ring + mm 0.15
7	0.042.1219.0	2	shoulder ring STANDARD
8	0.001.4544.0	2	shoulder ring + mm 0.05
8	0.001.4545.0	2	shoulder ring + mm 0.10
8	0.001.4546.0	2	shoulder ring + mm 0.15
8	0.042.1218.0	2	shoulder ring STANDARD
9	0.029.1240.0/10	1	flange 31053 <=
9	0.045.1240.0	1	flange => 31054
10	0.029.1250.0	1	gasket
11	2.1652.915.0	2	cylindrical plug 12x35
12	2.1480.015.1	8	washer 10
13	2.1011.421.2	2	nut m 10 p.1.25
14	2.0112.309.2	9	screw m 10 p.1.5 x 25
15	2.1519.009.0	1	special oil seal
16	0.029.1241.3/10	1	flywheel

Notes:
[FALCON 50]

<https://www.ebooklibonline.com>

Hello dear friend!

Thank you very much for reading.

Enter the link into your browser.

The full manual is available for immediate download.

<https://www.ebooklibonline.com>

Section: ENGINE
CRANKSHAFT

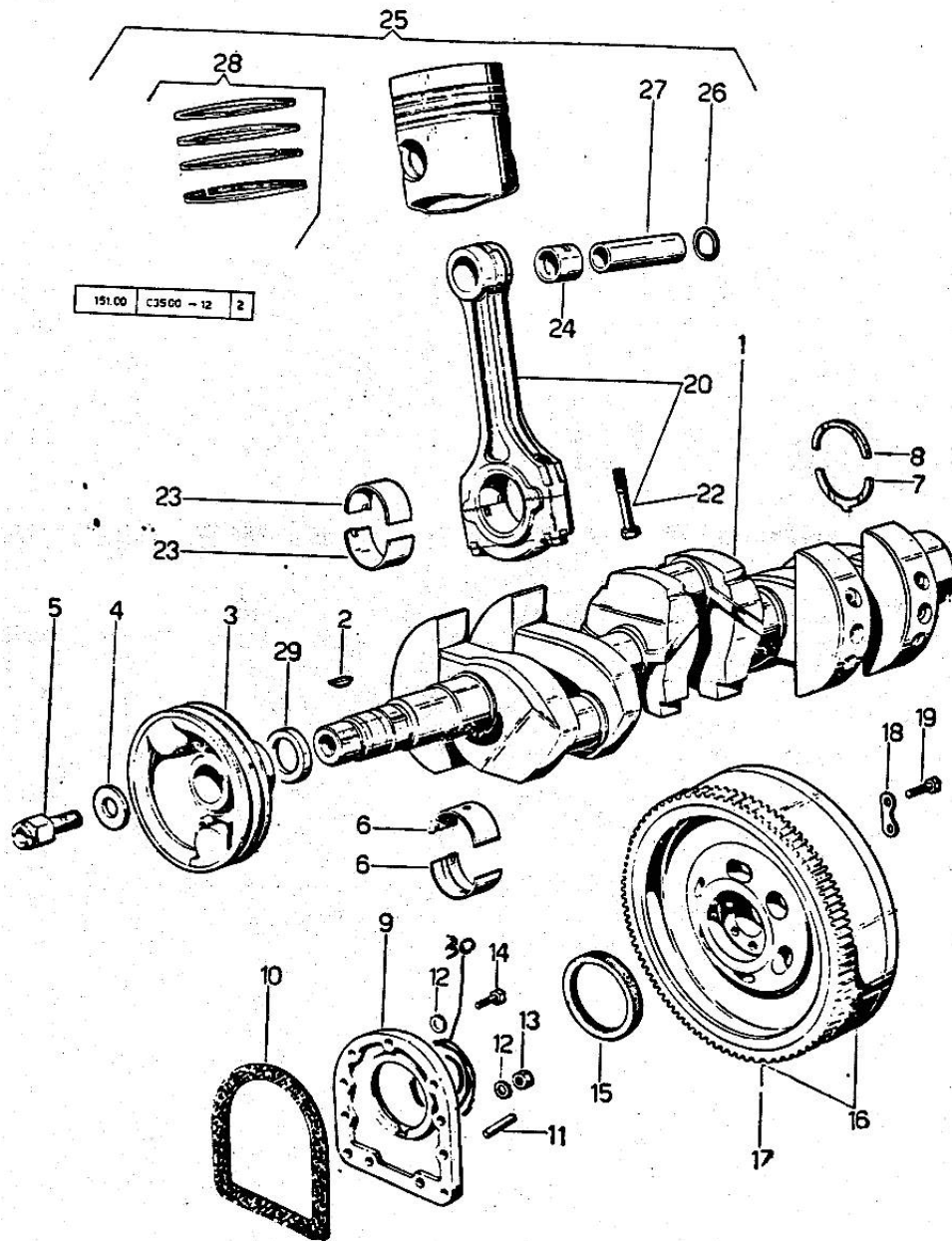


Fig.	P/n	QTY	Name
			=> 3241 - 13570 <=
16	0.035.1255.3	1	old part number 3240 <=
16	0.054.1252.3/30	1	flywheel -> 13571
17	0.029.1242.0	1	crown wheel Z = 120, mm 20 TOOTH THICKNESS 20 MM
17	0.038.1242.0	1	crown wheel Z = 120, mm 15 TOOTH THICKNESS 15 MM
18	2.1379.006.0	3	lock-tab 15x15x36,5
19	2.0122.515.7	6	screw
20	0.039.1220.3/30	3	engine connecting rod
22	0.039.1250.0	3	screw m 14 p.1.5x63
23	0.039.0068.0	6	con.rod half bushing - mm 1.016
23	0.039.1225.0	6	con.rod half bushing
23	0.039.1225.7	6	con.rod half bushing -mm 0.254
23	0.039.1225.8	6	con.rod half bushing -mm 0.508
23	0.039.1225.9	6	con.rod half bushing -mm 0.762
24	0.002.4168.0	3	bearing
25	0.036.0060.6/10	3	complete piston
25	0.036.0061.6/10	3	complete piston + mm 0.50
25	0.036.0062.6/10	3	complete piston + mm 1.00
26	2.1411.014.1	6	circlip 35
27	0.002.4167.0	3	piston pin
28	0.053.0052.6/10	3	piston ring set
28	0.053.0053.6/10	3	piston ring set + mm 0.50
28	0.053.0054.6/10	3	piston ring set + mm 1.0
29	0.034.1256.0	1	spacer
30	2.1599.404.0	1	shoulder ring => 31054

Section: ENGINE
CYLINDER HEAD

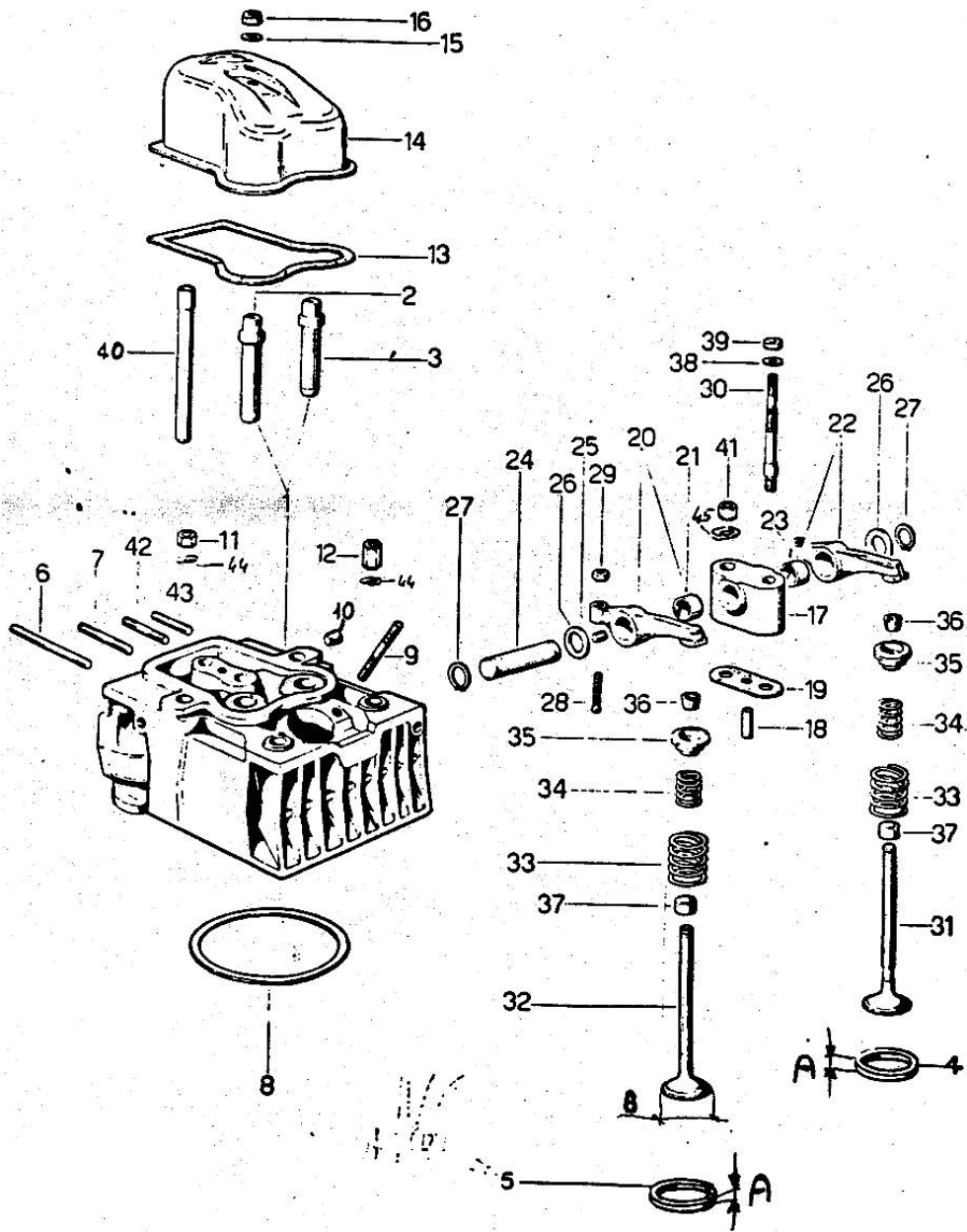


Fig.	P/n	QTY	Name
------	-----	-----	------

Notes:
[FALCON 50]

0	0.034.0057.6	1	gasket set - FOR 1 CYLINDER VALVE GRINDING AND PISTON RINGS REPLACEMENT
1	0.036.1410.6/20	3	engine head 3145 <=
1	0.037.1450.3/30	3	engine head => 3146
2	0.037.1416.0	3	valve guide
3	0.037.1417.0/10	3	valve guide
4	0.037.1452.0	3	valve seat EXHAUST A = 6.4 MM
4	0.037.1452.0/10	3	valve seat EXHAUST A = 6.2 MM
5	0.037.1451.0	3	valve seat INTAKE A = 6.4 MM
5	0.037.1451.0/10	3	valve seat INTAKE A = 6.2 MM
6	2.0432.026.1	2	stud bolt m 8 p.1.25 - 1.00 x 110
7	2.0432.022.1	1	stud bolt m 8 p 1.25-1x85
8	2.1569.056.0/10	3	gasket
9	2.0439.087.1/20	6	stud bolt m 8 p.1.25 / p.1 x 40
10	2.3130.001.1	3	plug 1/8" gas
11	2.1019.025.0	7	special nut m 12 p.1.5
12	2.1019.037.0	5	special nut m 12 p.1.5
13	0.029.1450.0	3	gasket
14	0.039.1440.0	3	cap
15	2.1560.004.0	3	copper gasket 8.2 x 14
16	2.1099.056.1	3	special nut m8 p.1
17	0.034.1430.0	3	support
18	0.029.1452.0	3	tube
19	0.034.1450.0	3	tappet gasket
20	0.002.5937.3/30	3	rocker arm
21	2.1559.021.0/40	3	bushing 15x19x22
22	0.002.5936.3/40	3	rocker arm
23	2.1559.021.0/40	3	bushing 15x19x22
24	0.029.1431.0	3	pin
25	2.0512.102.1	3	screw m 6 p.1 x 8
26	2.1599.019.0	6	shoulder ring 19.5x31x2
27	2.1410.055.1	6	circlip 19
28	0.021.1434.0	6	screw
29	2.1019.039.1	6	old part number

Section: ENGINE
CYLINDER HEAD

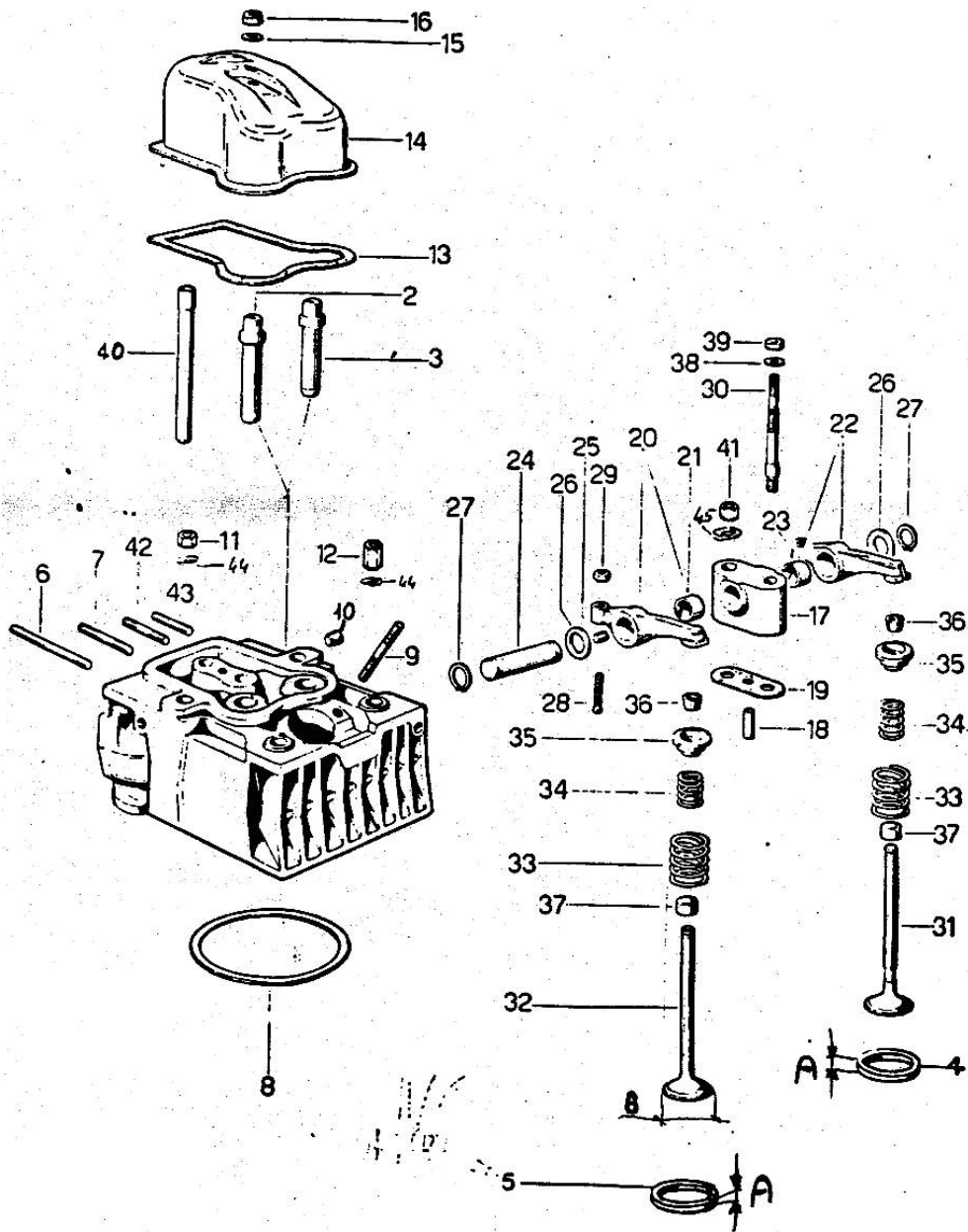


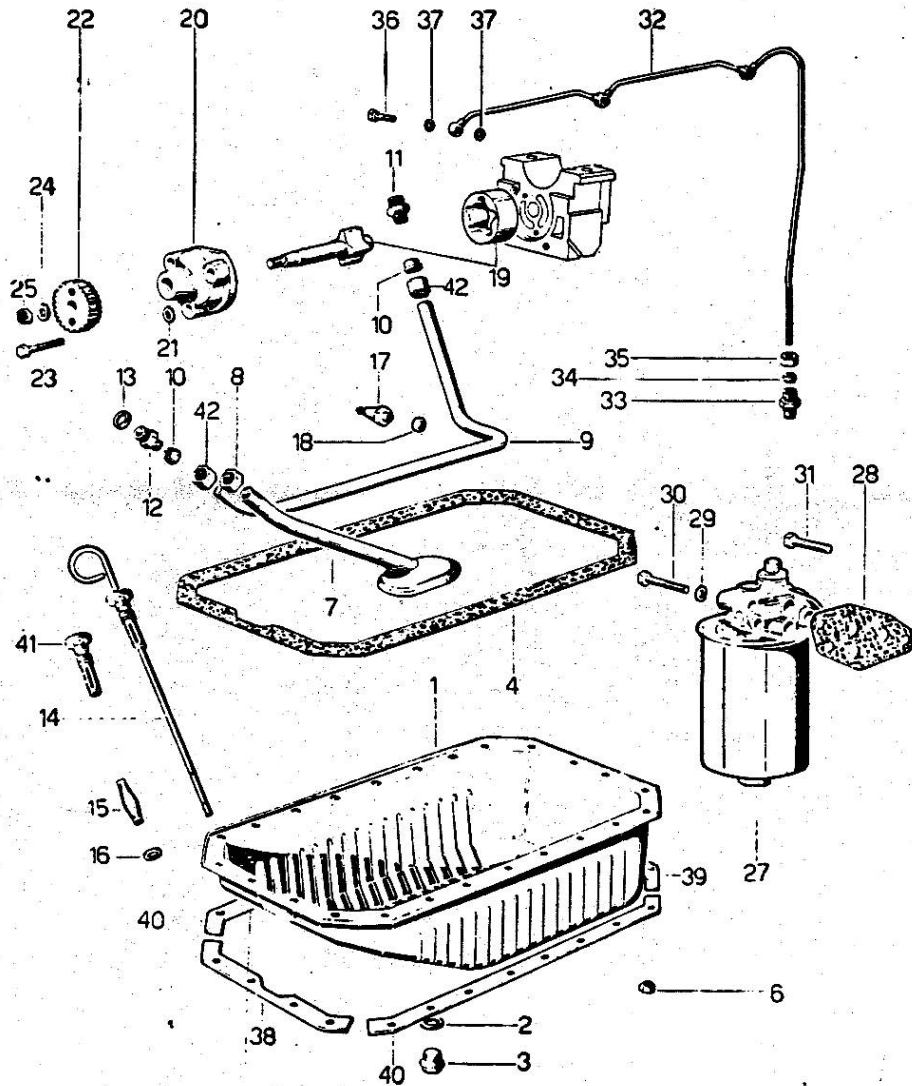
Fig.	P/n	QTY	Name
30	0.039.1451.0	3	stud bolt
31	0.039.1421.0	3	exhaust valve Ø mm 9
32	0.037.1420.0	3	inlet valve Ø mm 9 B=MM 39.5
32	0.039.1420.0	3	inlet valve B=MM 42
33	2.4019.193.0	6	spring 36.15x55.2x3.2
34	2.4019.194.0	6	spring 22.70x50.7x2.1
35	0.002.9215.0/10	6	cup
36	0.002.9193.0/10	6	conical valve cotter
37	0.021.1453.0/20	6	small cover
38	2.1310.006.2	3	flat washer 10.5x21
39	2.1011.421.2	3	nut m 10 p.1.25
40	0.029.1418.0	6	sleeve
41	2.1099.037.2	12	special nut m 22 p.1.5
42	2.0432.007.1	3	stud bolt m 8 p.1.25 / p.1 x 30
43	2.0432.003.1	3	stud bolt m 8 p.1.25 / p.1 x 20
44	2.1599.406.0	12	shoulder ring
45	2.1599.160.0	12	washer 10.5x19x4

Section: ENGINE
LUBRICATION

Fig.	P/n	QTY	Name
------	-----	-----	------

Notes:
[FALCON 50]

1	0.035.1510.6	1	oil sump ORDER ALSO: 2x 035.1551.0/10
2	2.1560.054.0	1	gasket 21 x 26
3	2.3199.001.2	1	plug 1/2" gas
4	0.029.1512.2	1	gasket
6	2.1011.405.2	24	nut m 8 p.1
7	0.035.1531.3	1	tube
8	2.1099.026.1	1	special nut
9	0.029.1534.0	1	tube
10	2.3359.004.2	2	ring
11	2.3319.014.1	1	pipe union
12	2.3319.013.1	1	pipe union
13	2.1560.013.0	1	gasket 18.2x22
14	0.036.1513.3	1	dipstick
15	0.000.9318.0	1	spring
16	0.000.8601.0	1	gasket
17	2.7099.040.0/10	1	pressure switch
18	2.1560.008.0	1	gasket 12.2 x 18
19	0.029.1522.3/10	1	shaft
20	0.029.1520.0	1	pump casing
21	2.1470.004.2	3	lock washer 8
22	0.029.1521.0/10	1	gear
23	2.0112.215.2	3	screw m 8 p.1.25 x 40
24	2.1310.006.2	1	flat washer 10.5x21
25	2.1011.107.2	1	nut m 12 p.1.75
27	2.4419.130.0/10	1	oil filter 01.00.6
28	0.037.1552.0/10	1	gasket
29	2.1480.015.1	3	washer 10
30	2.0112.320.2	2	screw m 10 p.1.5 x 55
31	2.0112.315.2	1	screw m 10 p.1.5 x 40
32	0.038.1536.3/10	1	tube
33	2.3319.002.1	1	pipe fitting
34	2.3350.002.1	1	nosepiece 6, d128
35	2.3360.002.1	1	union nut m 10
36	2.3339.001.0	3	pipe fitting m 10 p.1
37	2.1560.006.0	6	gasket 10.2 x 16
38	0.053.1550.0/10	1	small plate
39	0.053.1551.0	1	small plate
40	0.035.1551.0/10	2	small plate
41	0.034.1551.0	2	gasket





Suggest:

For more complete manuals. Please go to the home page.

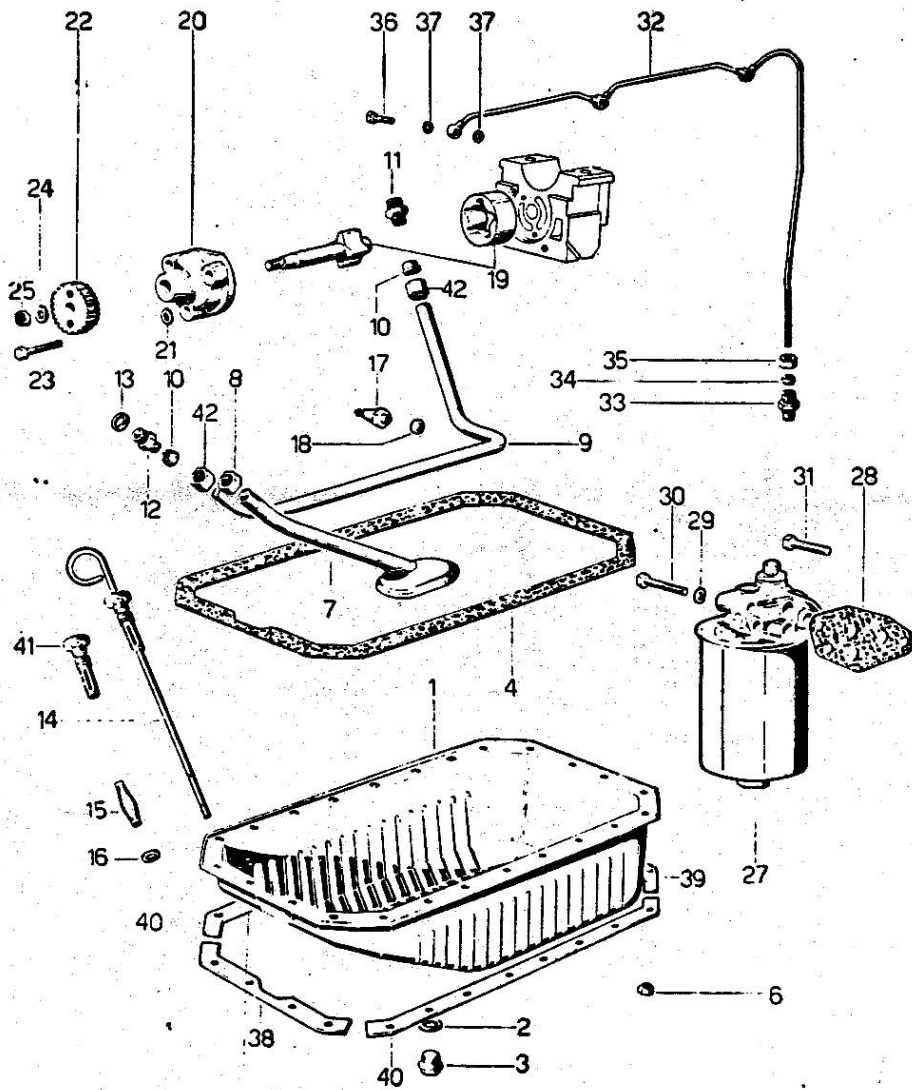
<https://www.ebooklibonline.com>

If the above button click is invalid. Please download this document first, and then click the above link to download the complete manual.

Thank you so much for reading

Section: ENGINE
LUBRICATION

Fig.	P/n	QTY	Name
42	2.3369.009.1	2	union nut



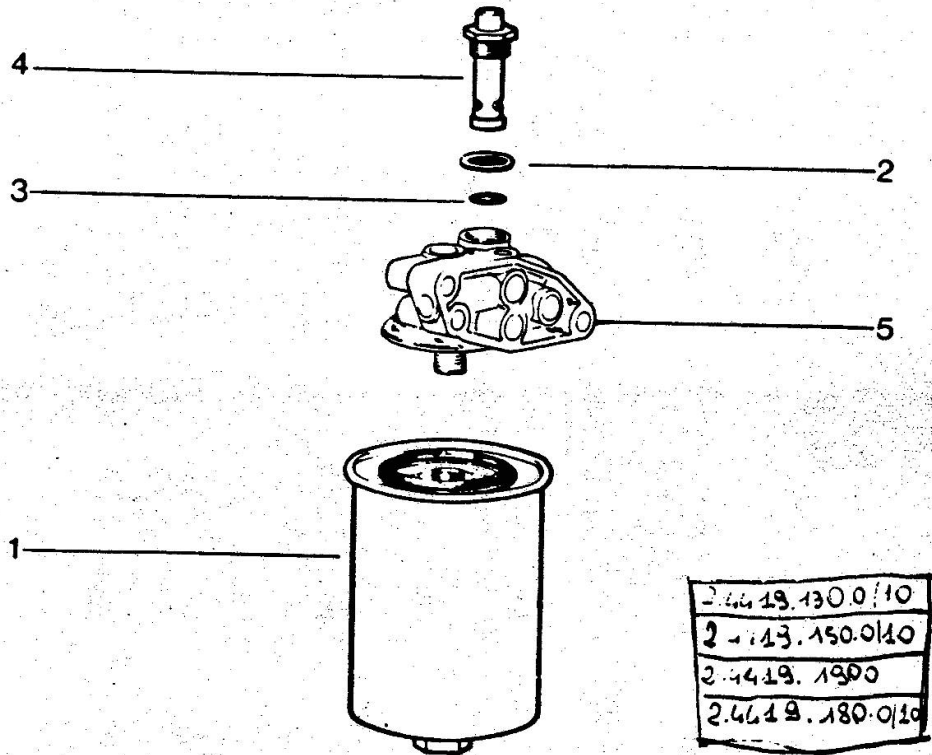
Section: ENGINE

DETAILS OF OIL FILTER

Fig.	P/n	QTY	Name
------	-----	-----	------

Notes:
[FALCON 50]

0	2.4419.130.0/10	1	oil filter
1	2.4419.150.1	1	oil filter element
2	2.4419.130.4	1	gasket
3	2.1530.045.0	1	oil seal 17.86x2.62
4	2.4419.130.2	1	valve
5	0.000.0000.1	1	cannot be supplied



<https://www.ebooklibonline.com>

Hello dear friend!

Thank you very much for reading.

Enter the link into your browser.

The full manual is available for immediate download.

<https://www.ebooklibonline.com>