

EXPLORER 105.4 -> ZKDAW70200TS10001

Section: B0 - ENGINE

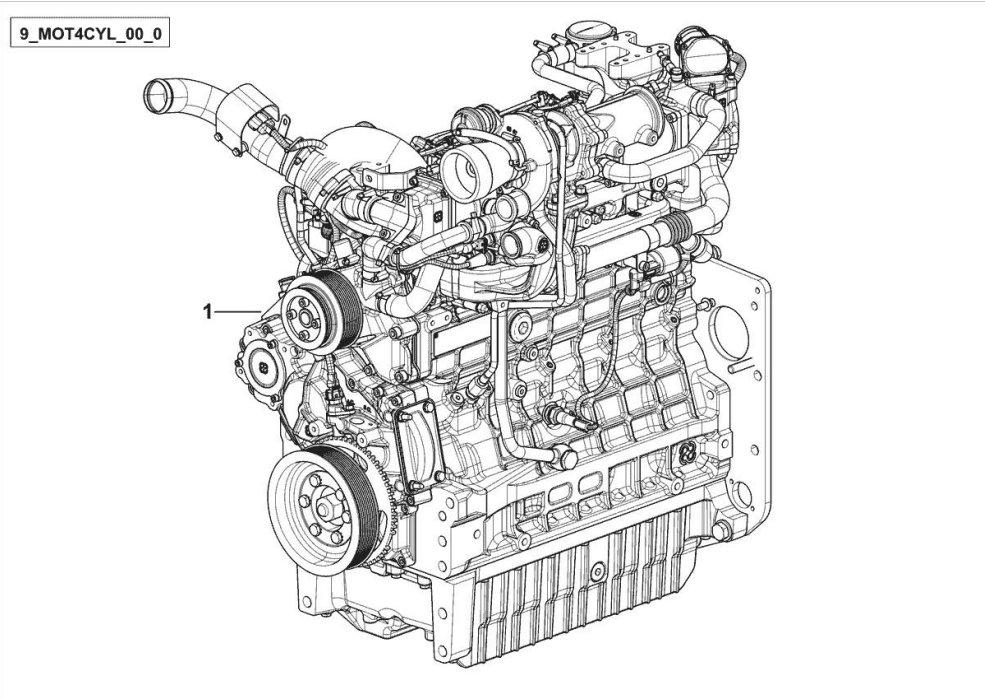
Ref: B0.00.3 (1)

LIGHT ENGINE 75 kW

| Fig. | P/n | QTY | Name |
|------|-----|-----|------|
|------|-----|-----|------|

Notes:
- NOT FOR EUROPEAN MARKET [EXPLORER 105.4 2WD -> ZKDAW70100TS10001] - NOT FOR EUROPEAN MARKET [EXPLORER 105.4 4WD -> ZKDAW70200TS10001]

| | | | |
|---|---------------|---|---|
| 1 | I6.K8005.00.0 | - | engine 75 kW ON ORDERING PLEASE ENGINE NO. REQUIRED |
|---|---------------|---|---|

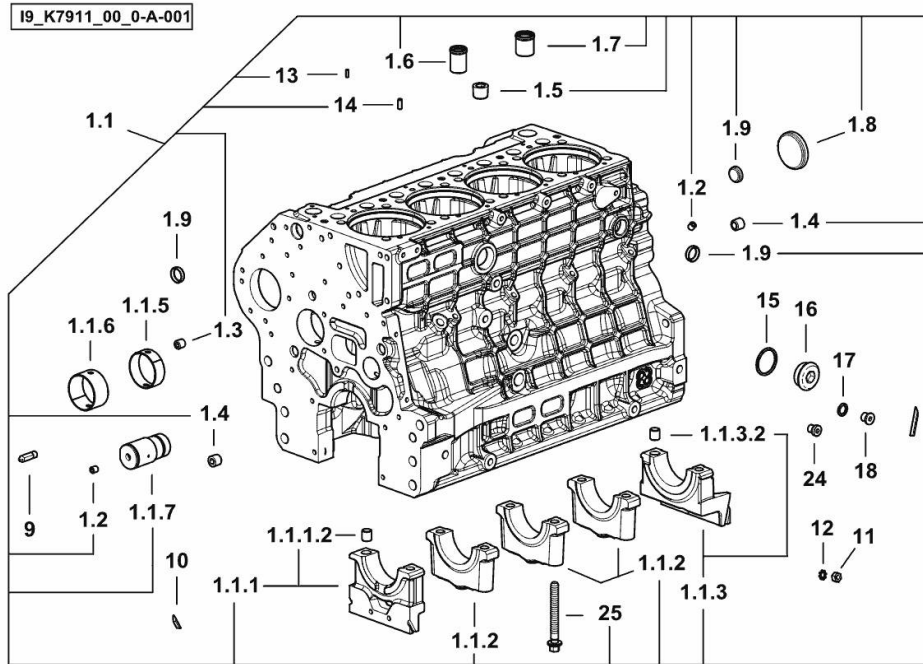


CRANKCASE

| Fig. | P/n | QTY | Name |
|------|-----|-----|------|
|------|-----|-----|------|

Notes:

[EXPLORER 105.4 2WD -> ZKDAW70100TS10001] [EXPLORER 105.4 4WD -> ZKDAW70200TS10001]



| | | | |
|---------|-----------------|----|----------------------------|
| 1.1 | 0.020.4332.3/20 | 1 | crankcase |
| 1.1.1 | 0.019.5106.3 | 1 | support |
| 1.1.1.2 | 2.1699.165.0 | 1 | bush 12.3x15x16 |
| 1.1.2 | 0.019.5107.7 | 3 | support |
| 1.1.3 | 0.019.5108.3 | 1 | support |
| 1.1.3.2 | 2.1699.165.0 | 1 | bush 12.3x15x16 |
| 1.1.5 | 0.065.1140.0 | 4 | special bushing 59X55X20 |
| 1.1.6 | 0.065.1141.0 | 1 | special bushing 59X55X30 |
| 1.1.7 | 0.019.4412.0 | 1 | pin |
| 1.2 | 2.3130.001.7 | 15 | plug |
| 1.3 | 2.3130.002.7 | 2 | plug 1/4" gas |
| 1.4 | 2.3130.003.7 | 4 | plug 3/8" gas |
| 1.5 | 2.3130.005.7 | 3 | plug |
| 1.6 | 0.019.4146.0 | 1 | tube |
| 1.7 | 0.019.6173.0 | 1 | tube |
| 1.8 | 2.3179.012.0 | 1 | plug 60 |
| 1.9 | 2.3171.010.4 | 5 | plug 25 |
| 9 | 0.019.4415.0/10 | 1 | tube |
| 10 | 0.066.1152.0/10 | 4 | gasket |
| 11 | 2.1011.405.2 | 2 | nut m 8 p.1 |
| 12 | 2.1470.004.2 | 4 | lock washer 8 |
| 13 | 2.1651.305.0 | 4 | pin 4 x 12 |
| 14 | 2.1651.507.0 | 4 | pin 6 x 16 |
| 15 | 2.1560.027.0 | 1 | copper gasket 38.3x44 |
| 16 | 2.3139.031.2 | 1 | plug |
| 17 | 2.1560.010.0 | 1 | gasket 14.2 x 20 |
| 18 | 2.3199.292.0 | 1 | plug 1/4" gas |
| 24 | 2.3139.024.2 | 1 | plug m 12 p.1.5 (-> 10001) |
| 25 | 2.0399.367.7 | 10 | screw |

EXPLORER 105.4 -> ZKDAW70200TS10001

Section: B0 - ENGINE

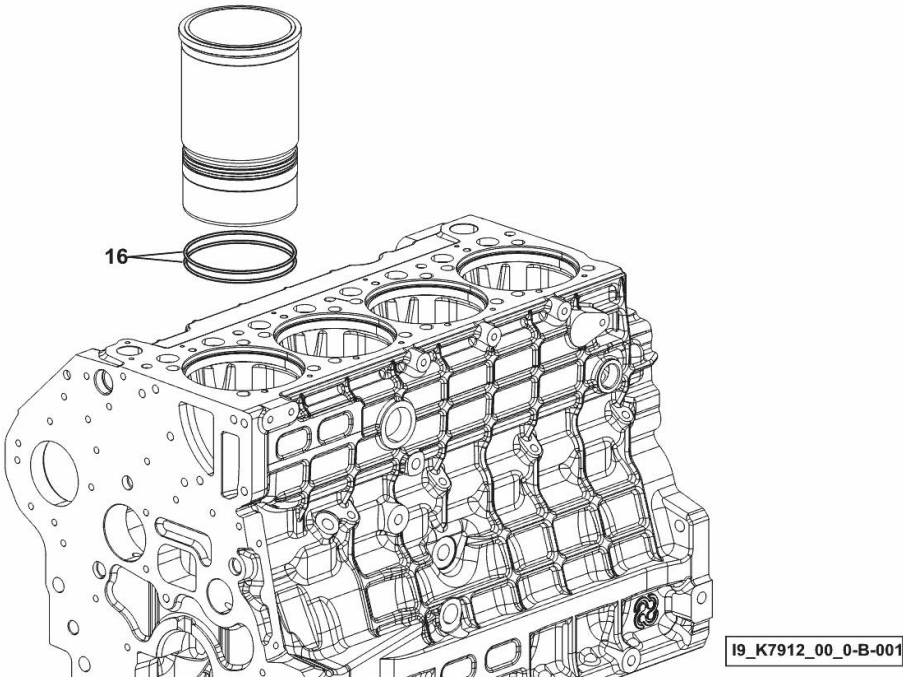
Ref: B0.01.1 (1)

CYLINDER LINER O-RING

| Fig. | P/n | QTY | Name |
|------|-----|-----|------|
|------|-----|-----|------|

Notes:
[EXPLORER 105.4 2WD -> ZKDAW70100TS10001] [EXPLORER 105.4 4WD -> ZKDAW70200TS10001]

| | | | |
|----|--------------|---|------------------------------|
| 16 | 2.1539.259.0 | 8 | special oil seal 107.62x2.62 |
|----|--------------|---|------------------------------|



<https://www.ebooklibonline.com>

Hello dear friend!

Thank you very much for reading.

Enter the link into your browser.

The full manual is available for immediate download.

<https://www.ebooklibonline.com>

EXPLORER 105.4 -> ZKDAW70200TS10001

Section: B0 - ENGINE

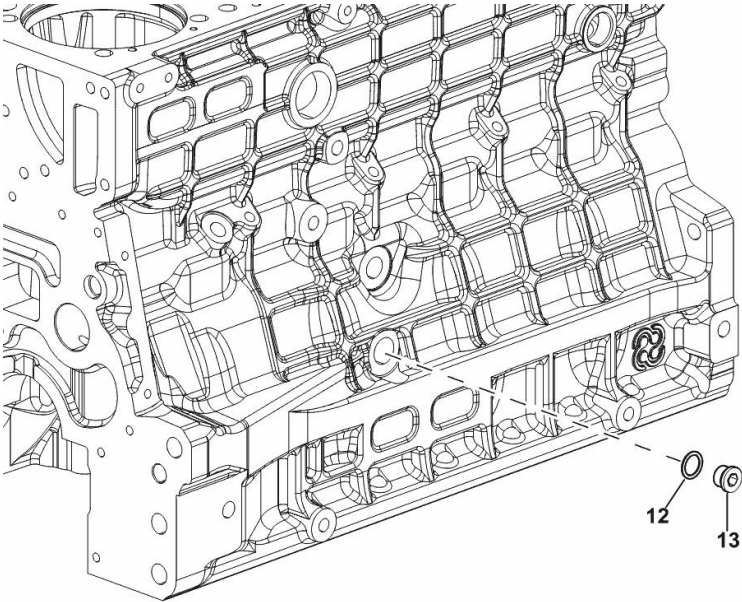
Ref: B0.01.2 (1)

SIDE PLUG FOR CYLINDER BLOCK

| Fig. | P/n | QTY | Name |
|------|-----|-----|------|
|------|-----|-----|------|

Notes:
- FOR TYPES WITH PNEUMATIC BRAKE [EXPLORER 105.4 2WD -> ZKDAW70100TS10001] - FOR TYPES WITH PNEUMATIC BRAKE [EXPLORER 105.4 4WD -> ZKDAW70200TS10001]

| | | | |
|----|--------------|---|------------------|
| 12 | 2.1560.018.0 | 1 | gasket 22.2 x 29 |
| 13 | 2.3120.102.0 | 1 | plug |



9_K8015_03_0-B-001

EXPLORER 105.4 -> ZKDAW70200TS10001

Section: B0 - ENGINE

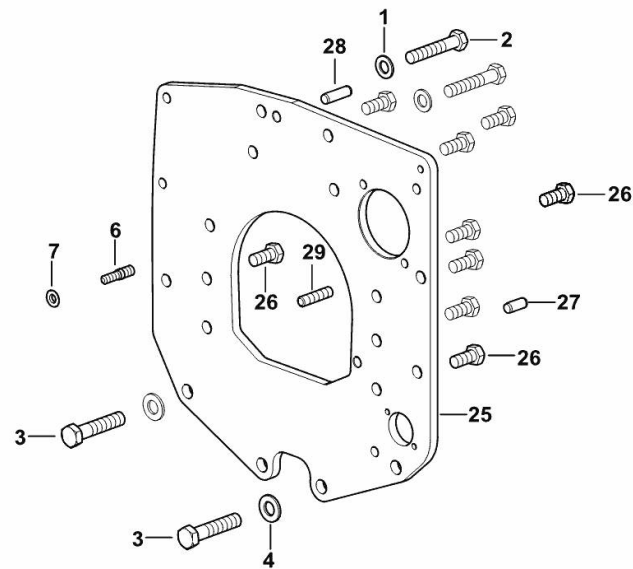
Ref: B0.01.3 (1)

MONOBLOC ENGINE-GEARBOX CONNECTING FLANGE

| Fig. | P/n | QTY | Name |
|------|-----|-----|------|
|------|-----|-----|------|

Notes:

[EXPLORER 105.4 2WD -> ZKDAW70100TS10001] [EXPLORER 105.4 4WD -> ZKDAW70200TS10001]



| | | | |
|----|-----------------|---|-----------------------------------|
| 1 | 2.1475.005.2 | 2 | washer 14 |
| 2 | 2.0112.524.2 | 2 | screw m 14 p.2 x 75 |
| 3 | 2.0112.624.2 | 2 | screw m 16 p.2 x 75 |
| 4 | 2.1475.006.2 | 2 | spring washer 16 |
| 6 | 2.0439.250.7 | 1 | stud bolt m 12 / m 10 x 30 |
| 7 | 0.011.9294.0/10 | 1 | bush |
| 25 | 0.019.1488.0 | 1 | flange |
| 26 | 2.0112.511.2 | 8 | screw m 14 p.2 x 30 |
| 27 | 2.1651.912.0 | 2 | cylindrical plug 12x28 |
| 28 | 2.1651.917.0 | 1 | cylindrical plug 12x40 |
| 29 | 2.0432.257.7 | 1 | stud bolt m 12 p.1.75 - 1.25 x 30 |

[9_K7411_01_0-A-001]

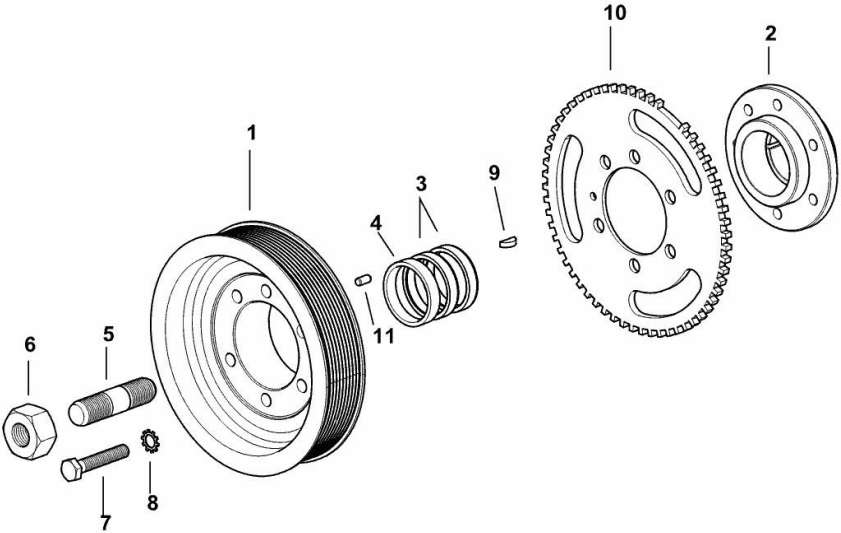
CRANKSHAFT PULLEY

| Fig. | P/n | QTY | Name |
|------|-----|-----|------|
|------|-----|-----|------|

Notes:

[EXPLORER 105.4 2WD -> ZKDAW70100TS10001] [EXPLORER 105.4 4WD -> ZKDAW70200TS10001]

| | | | |
|----|--------------|---|-------------------------|
| 1 | 0.019.9925.0 | 1 | pulley |
| 2 | 0.019.6668.0 | 1 | flange |
| 3 | 0.065.1256.0 | 2 | ring 45x52 |
| 4 | 2.1579.865.0 | 1 | spacer 45.2x51.8x10 |
| 5 | 2.0439.195.7 | 1 | stud bolt m 20 p.1.5x80 |
| 6 | 2.1019.094.7 | 1 | nut m 20 p.1.5 |
| 7 | 2.0112.320.2 | 6 | screw m 10 p.1.5 x 55 |
| 8 | 2.1470.006.2 | 6 | lock washer 10 |
| 9 | 2.1720.006.0 | 1 | key 4x6.5 |
| 10 | 0.019.6413.0 | 1 | gear wheel |
| 11 | 2.1651.505.0 | 1 | cylindrical plug 6x12 |



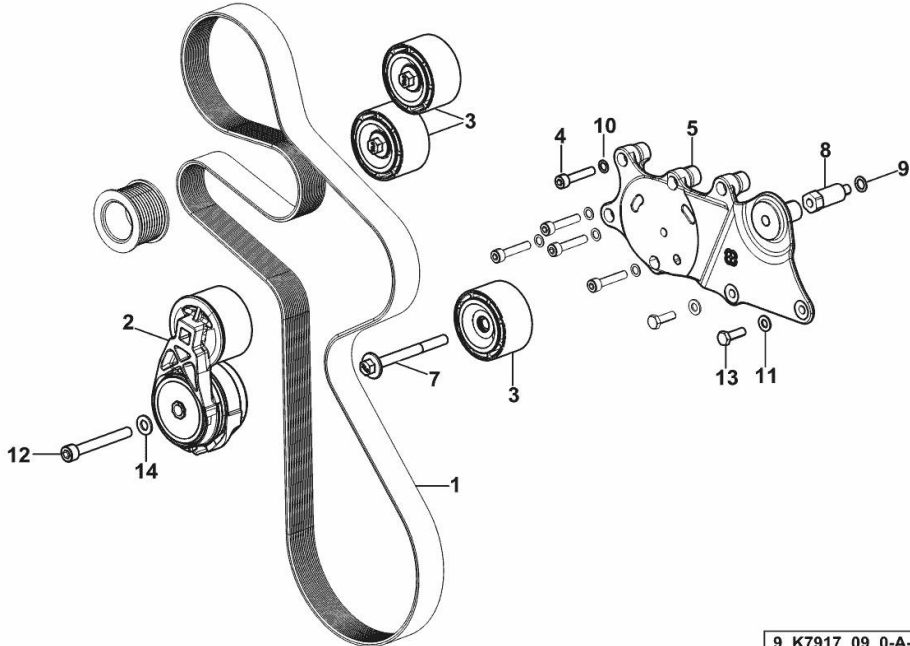
19_K7812_01_0-A-001

BELT AND TENSIONER

| Fig. | P/n | QTY | Name |
|------|-----|-----|------|
|------|-----|-----|------|

Notes:
 - WITH MANUAL AIR CONDITIONING [EXPLORER 105.4 2WD -> ZKDAW70100TS10001] 10006 <- - WITH
 MANUAL AIR CONDITIONING [EXPLORER 105.4 4WD -> ZKDAW70200TS10001] 10006 <-

| | | | |
|----|-----------------|---|-----------------------|
| 1 | 2.4119.218.0/10 | 1 | belt PK 10 L=2017 |
| 2 | 0.021.4446.4 | 1 | tensioner |
| 3 | 0.019.9869.4/10 | 3 | pulley guide |
| 4 | 2.0312.214.2 | 5 | screw m 8 p.1.25 x 40 |
| 5 | 0.020.4604.0 | 1 | support |
| 7 | 2.0399.380.2 | 1 | screw |
| 8 | 2.0399.379.2 | 1 | small column |
| 9 | 2.1480.015.2 | 1 | washer 10 |
| 10 | 2.1480.014.2 | 5 | washer 8 |
| 11 | 2.1310.004.2 | 2 | flat washer 8.4x17 |
| 12 | 2.0314.322.2 | 1 | screw |
| 13 | 2.0112.209.2 | 2 | screw m 8 p 1.25 x 25 |
| 14 | 2.1310.006.2 | 1 | flat washer 10.5x21 |



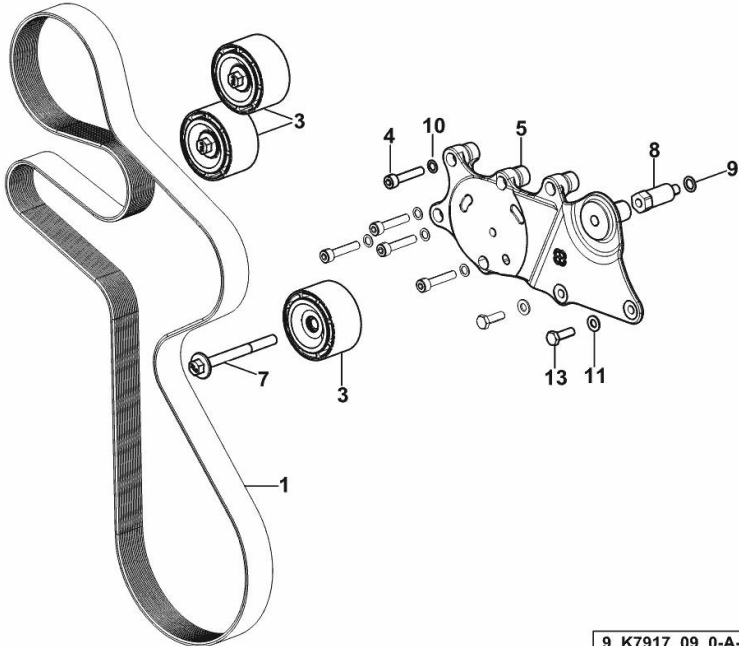
9_K7917_09_0-A-001

BELT AND TENSIONER

| Fig. | P/n | QTY | Name |
|------|-----|-----|------|
|------|-----|-----|------|

Notes:
 - WITH MANUAL AIR CONDITIONING [EXPLORER 105.4 2WD -> ZKDAW70100TS10001] -> 10007 - WITH
 MANUAL AIR CONDITIONING [EXPLORER 105.4 4WD -> ZKDAW70200TS10001] -> 10007

| | | | |
|----|-----------------|---|-----------------------|
| 1 | 2.4119.218.0/10 | 1 | belt PK 10 L=2017 |
| 3 | 0.019.9869.4/10 | 3 | pulley guide |
| 4 | 2.0312.214.2 | 5 | screw m 8 p.1.25 x 40 |
| 5 | 0.020.4604.0 | 1 | support |
| 7 | 2.0399.380.2 | 1 | screw |
| 8 | 2.0399.379.2 | 1 | small column |
| 9 | 2.1480.015.2 | 1 | washer 10 |
| 10 | 2.1480.014.2 | 5 | washer 8 |
| 11 | 2.1310.004.2 | 2 | flat washer 8.4x17 |
| 13 | 2.0112.209.2 | 2 | screw m 8 p 1.25 x 25 |



9_K7917_09_0-A-002

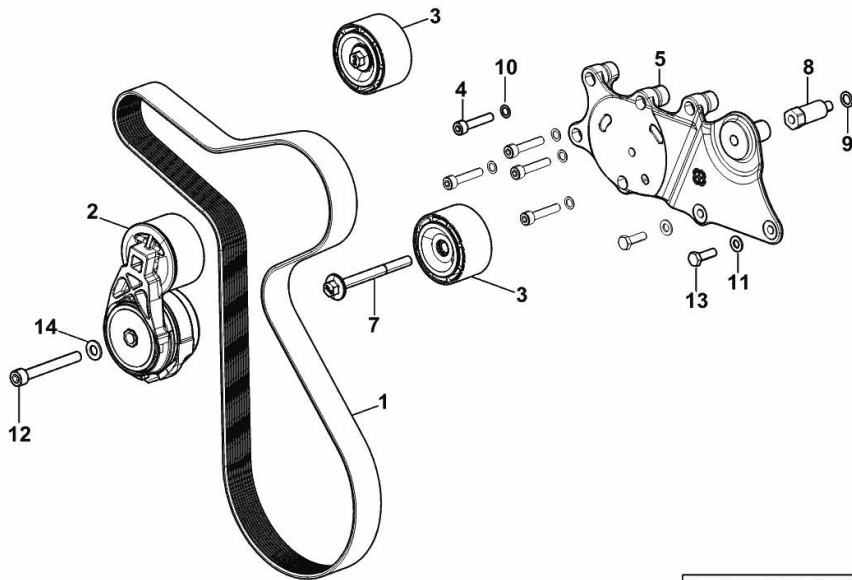
BELT AND TENSIONER

| Fig. | P/n | QTY | Name |
|------|-----|-----|------|
|------|-----|-----|------|

Notes:

WITHOUT AIR-CONDITIONING [EXPLORER 105.4 2WD -> ZKDAW70100TS10001] WITHOUT AIR-CONDITIONING [EXPLORER 105.4 4WD -> ZKDAW70200TS10001]

| | | | |
|----|-----------------|---|-----------------------|
| 1 | 2.4119.219.0 | 1 | belt PK 10 L=1498 |
| 2 | 0.021.4446.4 | 1 | tensioner |
| 3 | 0.019.9869.4/10 | 2 | pulley guide |
| 4 | 2.0312.214.2 | 5 | screw m 8 p.1.25 x 40 |
| 5 | 0.020.4604.0 | 1 | support |
| 7 | 2.0399.380.2 | 1 | screw |
| 8 | 2.0399.379.2 | 1 | small column |
| 9 | 2.1480.015.2 | 1 | washer 10 |
| 10 | 2.1480.014.2 | 5 | washer 8 |
| 11 | 2.1310.004.2 | 2 | flat washer 8.4x17 |
| 12 | 2.0314.322.2 | 1 | screw |
| 13 | 2.0112.209.2 | 2 | screw m 8 p 1.25 x 25 |
| 14 | 2.1310.006.2 | 1 | flat washer 10.5x21 |



9_K7917_10_0-A-001

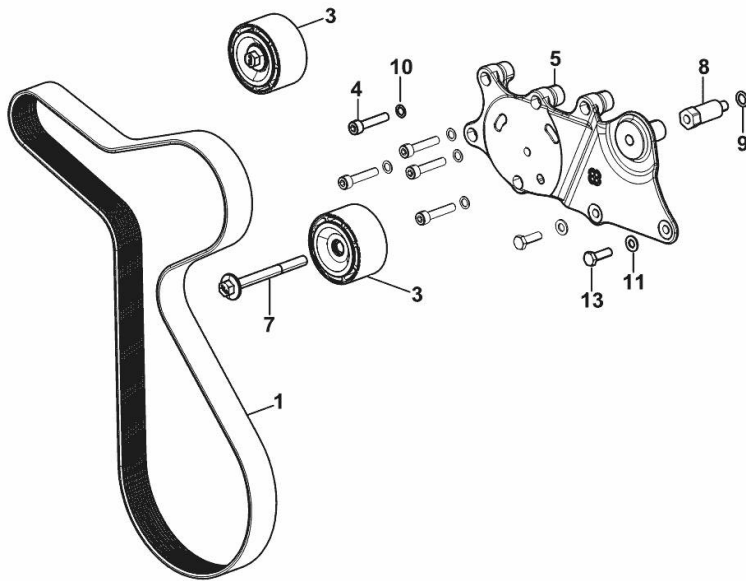
BELT AND TENSIONER

| Fig. | P/n | QTY | Name |
|------|-----|-----|------|
|------|-----|-----|------|

Notes:

WITHOUT AIR-CONDITIONING [EXPLORER 105.4 2WD -> ZKDAW70100TS10001] -> 10065 WITHOUT AIR-CONDITIONING [EXPLORER 105.4 4WD -> ZKDAW70200TS10001] -> 10065

| | | | |
|----|-----------------|---|-----------------------|
| 1 | 2.4119.219.0 | 1 | belt PK 10 L=1498 |
| 3 | 0.019.9869.4/10 | 2 | pulley guide |
| 4 | 2.0312.214.2 | 5 | screw m 8 p.1.25 x 40 |
| 5 | 0.020.4604.0 | 1 | support |
| 7 | 2.0399.380.2 | 1 | screw |
| 8 | 2.0399.379.2 | 1 | small column |
| 9 | 2.1480.015.2 | 1 | washer 10 |
| 10 | 2.1480.014.2 | 5 | washer 8 |
| 11 | 2.1310.004.2 | 2 | flat washer 8.4x17 |
| 13 | 2.0112.209.2 | 2 | screw m 8 p 1.25 x 25 |



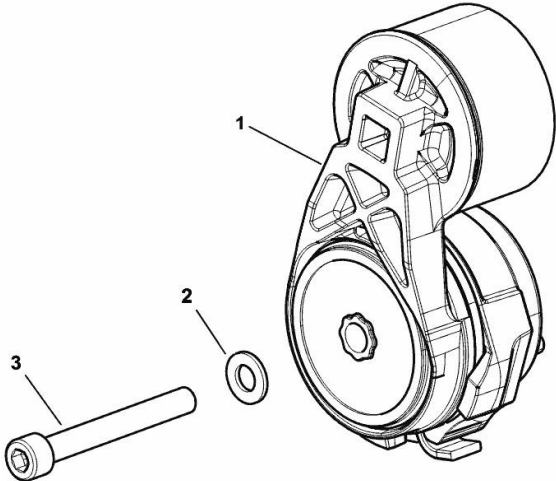
9_K7917_10_0-A-002

TENSION ROLLER

| Fig. | P/n | QTY | Name |
|------|-----|-----|------|
|------|-----|-----|------|

Notes:
[EXPLORER 105.4 2WD -> ZKDAW70100TS10001] -> 10007 [EXPLORER 105.4 4WD -> ZKDAW70200TS10001] -> 10007

| | | | |
|---|--------------|---|---------------------|
| 1 | 0.019.9867.4 | 1 | tensioner |
| 2 | 2.1310.006.2 | 1 | flat washer 10.5x21 |
| 3 | 2.0314.322.2 | 1 | screw |



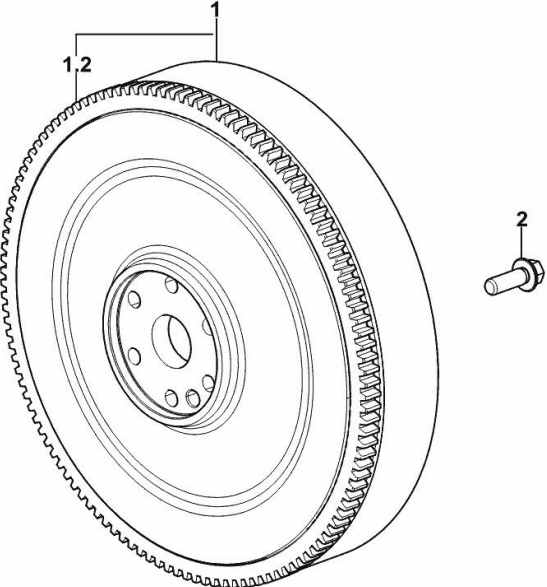
9_IB117_10_0-A-001

ENGINE FLYWHEEL

| Fig. | P/n | QTY | Name |
|------|-----|-----|------|
|------|-----|-----|------|

Notes:
[EXPLORER 105.4 2WD -> ZKDAW70100TS10001] [EXPLORER 105.4 4WD -> ZKDAW70200TS10001]

| | | | |
|-----|--------------|---|---------------------|
| 1 | 0.019.1948.3 | 1 | flywheel |
| 1.2 | 0.065.1242.0 | 1 | crown wheel Z = 123 |
| 2 | 2.0399.368.0 | 6 | screw |



9_K7912_03_0-A-001

EXPLORER 105.4 -> ZKDAW70200TS10001

Section: B0 - ENGINE

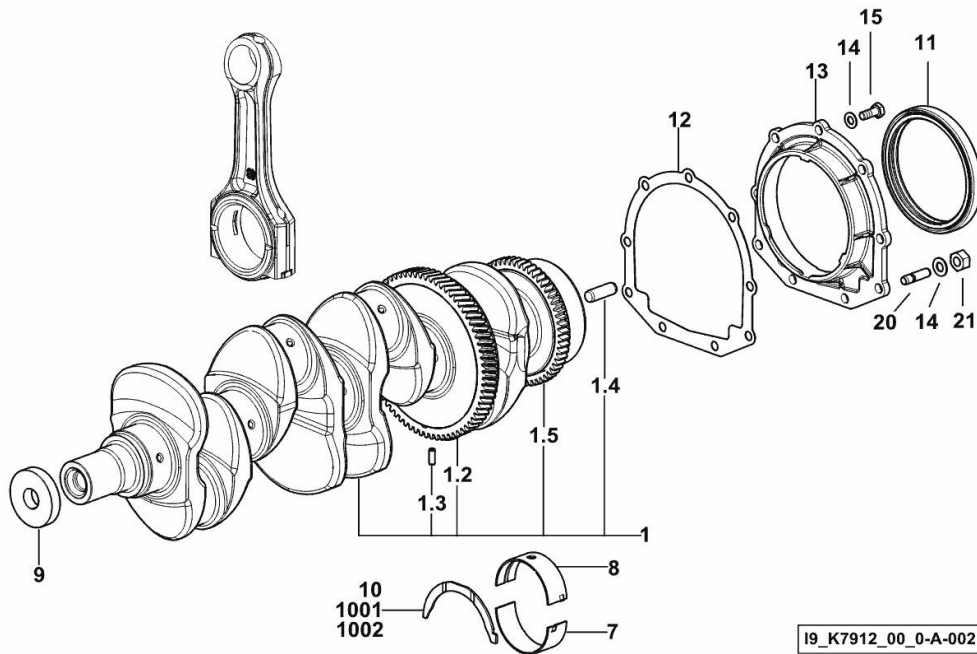
Ref: B0.02.7 (2)

CRANKSHAFT

| Fig. | P/n | QTY | Name |
|------|-----|-----|------|
|------|-----|-----|------|

Notes:

[EXPLORER 105.4 2WD -> ZKDAW70100TS10001] [EXPLORER 105.4 4WD -> ZKDAW70200TS10001]



| | | | |
|------|-----------------|---|---------------------------------|
| 1 | 0.019.2251.3/10 | 1 | crankshaft |
| 1.2 | 0.065.1211.0/10 | 1 | crown wheel |
| 1.3 | 2.1630.608.0 | 1 | pin 6x16 |
| 1.4 | 2.1651.915.0 | 1 | pin 12x35 |
| 1.5 | 0.007.0855.0/10 | 1 | gear |
| 7 | 0.019.5456.0 | 5 | main half bushing STANDARD |
| 8 | 0.019.5455.0 | 5 | main half bushing STANDARD |
| 9 | 2.1599.524.7 | 1 | washer 21x60x12 |
| 10 | 0.065.1218.0 | 4 | shim STANDARD |
| 11 | 2.1529.073.0 | 1 | special oil seal 110x130x13 |
| 12 | 0.065.1254.0/20 | 1 | gasket |
| 13 | 0.007.0851.0/10 | 1 | cover |
| 14 | 2.1475.002.2 | 9 | conical washer 8 |
| 15 | 2.0112.207.2 | 7 | screw m 8 p 1.25 x 20 |
| 20 | 2.0432.003.7 | 2 | stud bolt m 8 p.1.25 / p.1 x 20 |
| 21 | 2.1011.405.2 | 2 | nut m 8 p.1 |
| 1001 | 0.065.1218.7 | | shim + mm 0.10 |
| 1002 | 0.065.1218.8 | | shim + mm 0.15 |

I9_K7912_00_0-A-002



Suggest:

For more complete manuals. Please go to the home page.

<https://www.ebooklibonline.com>

If the above button click is invalid. Please download this document first, and then click the above link to download the complete manual.

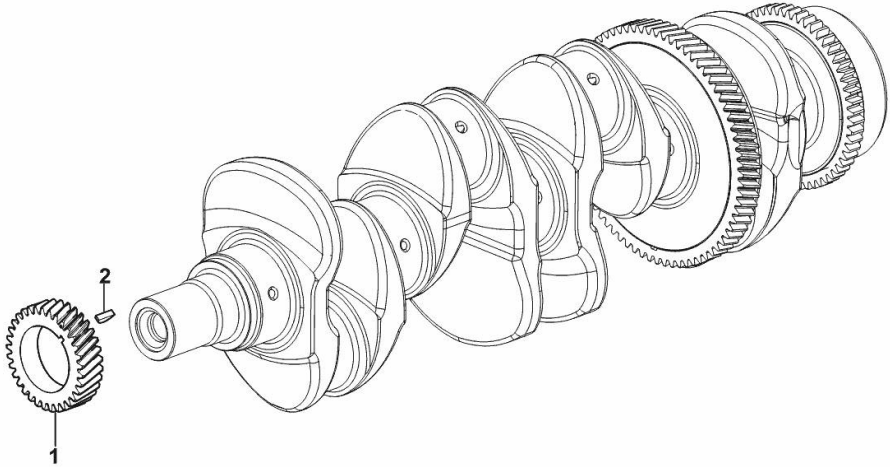
Thank you so much for reading

CRANKSHAFT GEAR

| Fig. | P/n | QTY | Name |
|------|-----|-----|------|
|------|-----|-----|------|

Notes:
[EXPLORER 105.4 2WD -> ZKDAW70100TS10001] [EXPLORER 105.4 4WD -> ZKDAW70200TS10001]

| | | | |
|---|--------------|---|-------------|
| 1 | 0.019.4145.0 | 1 | gear z = 33 |
| 2 | 2.1720.006.0 | 1 | key 4x6.5 |



19_K7913_00_0-D-001

EXPLORER 105.4 -> ZKDAW70200TS10001

Section: B0 - ENGINE

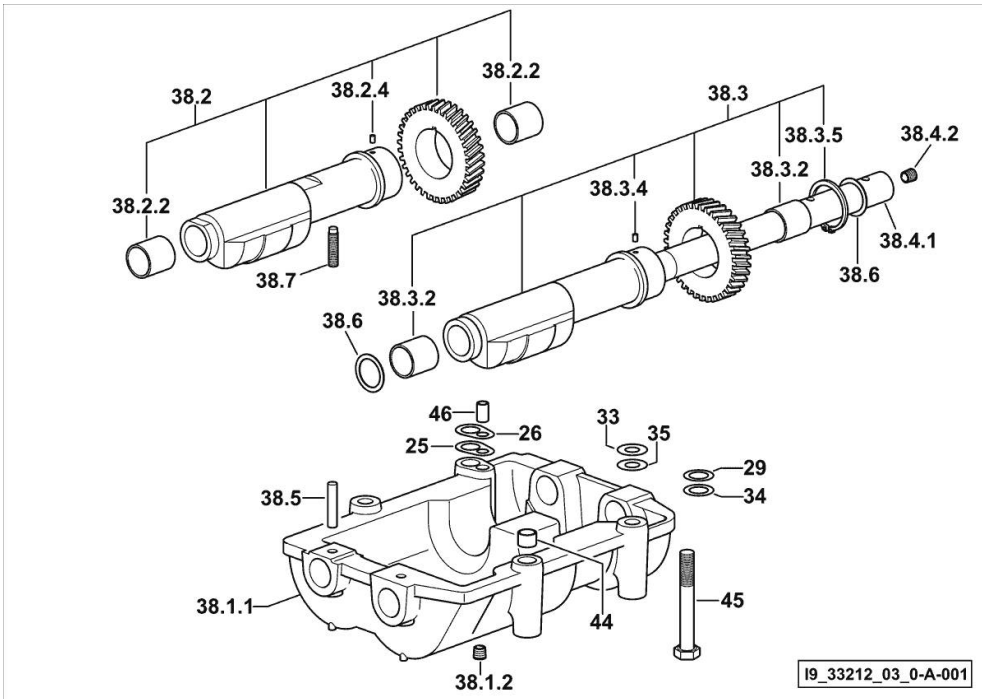
Ref: B0.02.9 (1)

COUNTERWEIGHTS

| Fig. | P/n | QTY | Name |
|------|-----|-----|------|
|------|-----|-----|------|

Notes:

[EXPLORER 105.4 2WD -> ZKDAW70100TS10001] [EXPLORER 105.4 4WD -> ZKDAW70200TS10001]



| | | | |
|--------|-----------------|---|---------------------------|
| 25 | 2.1589.139.0 | 1 | shoulder ring mm 0.3 |
| 26 | 2.1589.140.0 | 3 | shoulder ring mm 0.1 |
| 29 | 2.1579.628.0 | 3 | spacer 16.5x26x0.1 |
| 33 | 2.1579.629.0 | 6 | spacer 12.5x26x0.1 |
| 34 | 2.1589.048.0 | 1 | shoulder ring 16.5x26x0.3 |
| 35 | 2.1589.049.0 | 1 | shoulder ring 12.5x26x0.3 |
| 38.1.1 | 0.086.1231.0/10 | 1 | box |
| 38.1.2 | 2.3130.001.1 | 4 | plug 1/8" gas |
| 38.2 | 0.086.1233.3/30 | 1 | mass sx/lh/li |
| 38.2.2 | 2.1559.115.0 | 2 | special bushing 26x30x30 |
| 38.2.4 | 2.1651.302.0 | 1 | roll pin 4x6 |
| 38.3 | 0.065.1233.3/30 | 1 | mass dx/rh/re |
| 38.3.2 | 2.1559.115.0 | 2 | special bushing 26x30x30 |
| 38.3.4 | 2.1651.302.0 | 1 | roll pin 4x6 |
| 38.3.5 | 2.1410.018.1 | 1 | circlip 45 |
| 38.4.1 | 0.065.1234.0/10 | 1 | shaft |
| 38.4.2 | 2.3130.001.1 | 1 | plug 1/8" gas |
| 38.5 | 2.1631.717.0 | 2 | roll pin 8 x 40 |
| 38.6 | 2.1589.185.0 | 4 | shoulder ring 26.1x34x1 |
| 38.7 | 2.0522.212.7 | 1 | screw m 8 p.1.25 x 30 |
| 44 | 2.1579.626.0 | 2 | spacer 13.2x16x11 |
| 45 | 2.0139.028.2 | 4 | screw m 12 |
| 46 | 2.1699.191.0 | 1 | bush 7x10x16 |

<https://www.ebooklibonline.com>

Hello dear friend!

Thank you very much for reading.

Enter the link into your browser.

The full manual is available for immediate download.

<https://www.ebooklibonline.com>