

Section: B0 - ENGINE

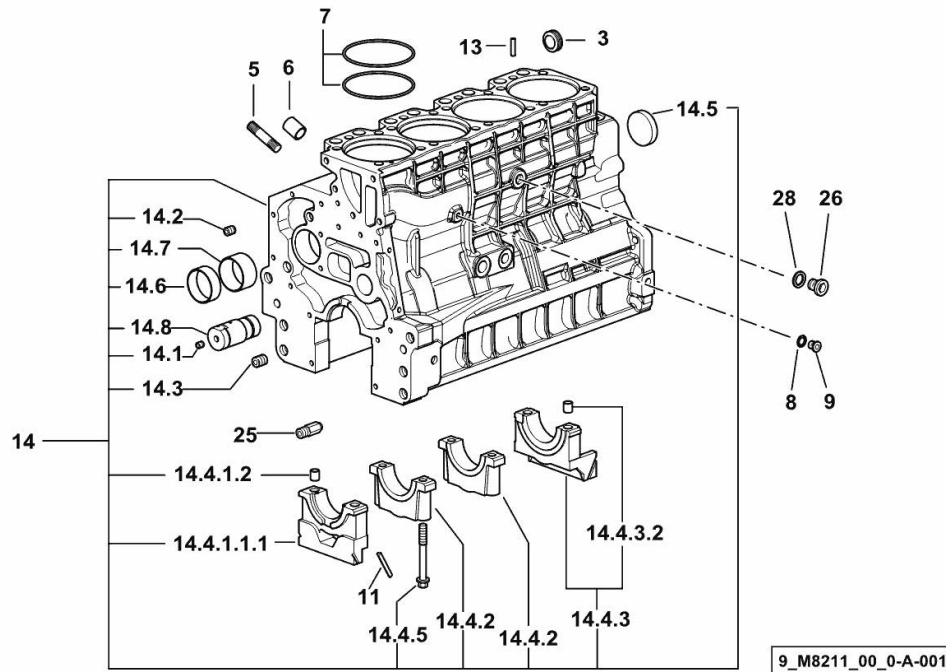
**CRANKCASE**

| Fig. | P/n | QTY | Name |
|------|-----|-----|------|
|------|-----|-----|------|

**Notes:**

[EXPLORER 95 T 4WD] [EXPLORER 95 T 2WD]

|            |                 |    |                              |
|------------|-----------------|----|------------------------------|
| 3          | 2.3199.312.2/20 | 1  | plug m 35x1.5x9.5            |
| 5          | 2.0439.273.7    | 8  | stud bolt m 8                |
| 6          | 2.1559.188.2    | 4  | bush 11.4 x 14 x16           |
| 7          | 2.1539.259.0    | 8  | special oil seal 107.62x2.62 |
| 8          | 2.1560.010.0    | 1  | gasket 14.2 x 20             |
| 9          | 2.3199.292.0    | 1  | plug 1/4" gas                |
| 11         | 0.066.1152.0/10 | 4  | gasket                       |
| 13         | 2.1549.154.2    | 4  | bush 4.8x5.8x16              |
| 14         | 0.015.2988.4/10 | 1  | crankcase                    |
| 14.1       | 2.3130.001.1    | 10 | plug 1/8" gas                |
| 14.2       | 2.3130.002.1    | 2  | plug 1/4" gas                |
| 14.3       | 2.3130.003.1    | 6  | plug 3/8" gas                |
| 14.4.1.1.1 | 0.065.1112.7/10 | 1  | support                      |
| 14.4.1.2   | 2.1699.165.0    | 1  | bush 12.3x15x16              |
| 14.4.2     | 0.065.1114.0/10 | 3  | support                      |
| 14.4.3     | 0.065.1116.3    | 1  | support                      |
| 14.4.3.2   | 2.1699.165.0    | 1  | bush 12.3x15x16              |
| 14.4.5     | 0.065.1117.0    | 10 | screw m 12 x 100             |
| 14.5       | 2.3179.012.0    | 1  | plug 60                      |
| 14.6       | 0.065.1140.0    | 4  | special bushing 59X55X20     |
| 14.7       | 0.065.1141.0    | 1  | special bushing 59X55X30     |
| 14.8       | 0.014.1340.0/10 | 1  | pin mm 85                    |
| 25         | 0.013.4946.0/10 | 1  | sprayer nozzle               |
| 26         | 2.3120.101.0    | 1  | plug m 18 p.1.5              |
| 28         | 2.1560.014.0    | 1  | washer 18.2 x 24             |



Section: B0 - ENGINE

CRANKCASE

| Fig. | P/n | QTY | Name |
|------|-----|-----|------|
|------|-----|-----|------|

Notes:

- EXPORT U.S.A. [EXPLORER 95 T 4WD]



9\_O1011\_00\_0-A-001

|            |                 |    |                              |
|------------|-----------------|----|------------------------------|
| 3          | 2.3199.312.2/20 | 1  | plug m 35x1.5x9.5            |
| 5          | 2.0439.279.7    | 8  | stud bolt m 8 p.1 x 25       |
| 6          | 2.1559.188.2    | 4  | bush 11.4 x 14 x16           |
| 7          | 2.1539.259.0    | 8  | special oil seal 107.62x2.62 |
| 8          | 2.1560.010.0    | 1  | gasket 14.2 x 20             |
| 9          | 2.3199.292.0    | 1  | plug 1/4" gas                |
| 10         | 0.014.9655.4/30 | 1  | crankcase                    |
| 10.1       | 2.3130.001.1    | 14 | plug 1/8" gas                |
| 10.2       | 2.3130.002.1    | 4  | plug 1/4" gas                |
| 10.3       | 2.3130.003.1    | 6  | plug 3/8" gas                |
| 10.4.1.1.1 | 0.065.1112.7/10 | 1  | support                      |
| 10.4.1.2   | 2.1699.165.0    | 1  | bush 12.3x15x16              |
| 10.4.2     | 0.065.1114.0/10 | 3  | support                      |
| 10.4.3     | 0.065.1116.3    | 1  | support                      |
| 10.4.3.2   | 2.1699.165.0    | 1  | bush 12.3x15x16              |
| 10.4.8     | 0.065.1117.0    | 10 | screw m 12 x 100             |
| 10.5       | 2.3179.012.0    | 1  | plug 60                      |
| 10.6       | 0.065.1140.0    | 4  | special bushing 59X55X20     |
| 10.7       | 0.065.1141.0    | 1  | special bushing 59X55X30     |
| 10.8       | 0.014.1340.0/10 | 1  | pin mm 85                    |
| 11         | 0.066.1152.0/10 | 4  | gasket                       |
| 13         | 2.1549.154.2    | 4  | bush 4.8x5.8x16              |
| 25         | 0.013.4946.0/10 | 1  | sprayer nozzle               |
| 26         | 2.3120.101.0    | 1  | plug m 18 p.1.5              |
| 28         | 2.1560.014.0    | 1  | washer 18.2 x 24             |

Section: B0 - ENGINE

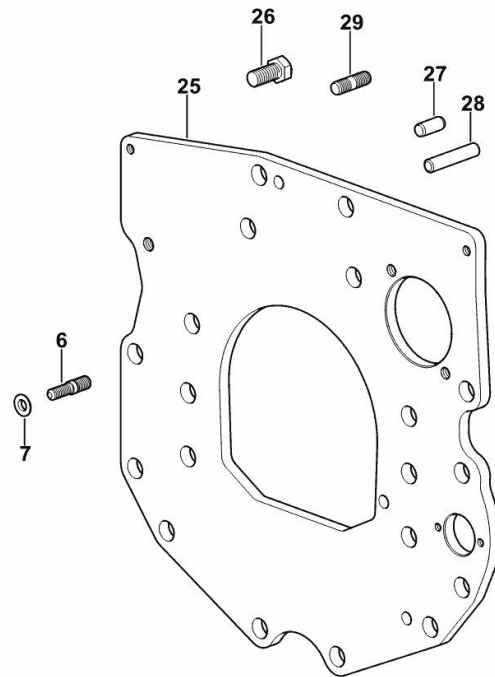
**MONOBLOC ENGINE-GEARBOX CONNECTING FLANGE**

| Fig. | P/n | QTY | Name |
|------|-----|-----|------|
|------|-----|-----|------|

**Notes:**

[EXPLORER 95 T 4WD] [EXPLORER 95 T 2WD]

|    |                 |   |                                   |
|----|-----------------|---|-----------------------------------|
| 6  | 2.0439.250.7    | 1 | stud bolt m 12 / m 10 x 30        |
| 7  | 0.011.9294.0/10 | 1 | bush                              |
| 25 | 0.066.1130.0/20 | 1 | flange                            |
| 26 | 2.0112.511.2    | 8 | screw m 14 p.2 x 30               |
| 27 | 2.1651.912.0    | 2 | cylindrical plug 12x28            |
| 28 | 2.1651.917.0    | 1 | cylindrical plug 12x40            |
| 29 | 2.0432.257.7    | 1 | stud bolt m 12 p.1.75 - 1.25 x 30 |



9\_33011\_01\_0-A-001

**<https://www.ebooklibonline.com>**

Hello dear friend!

Thank you very much for reading.

Enter the link into your browser.

The full manual is available for immediate download.

**<https://www.ebooklibonline.com>**

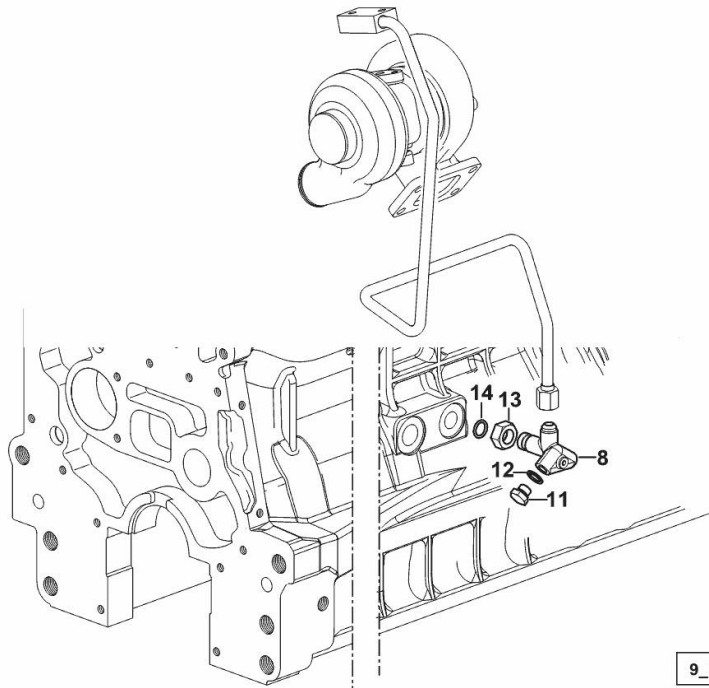
**ENGINE OIL AND TURBO PRESSURE SWITCH UNION**

| Fig. | P/n | QTY | Name |
|------|-----|-----|------|
|------|-----|-----|------|

**Notes:**

[EXPLORER 95 T 4WD] [EXPLORER 95 T 2WD]

|    |                 |   |                     |
|----|-----------------|---|---------------------|
| 8  | 2.3339.673.0/10 | 1 | pipe fitting        |
| 11 | 2.3110.403.1    | 1 | plug m 14 p.1.5x12  |
| 12 | 2.1560.010.0    | 1 | gasket 14.2 x 20    |
| 13 | 2.1019.129.2/10 | 1 | nut m 18 p.1.5x12   |
| 14 | 2.1533.038.0    | 1 | oil seal 15.45x2.62 |

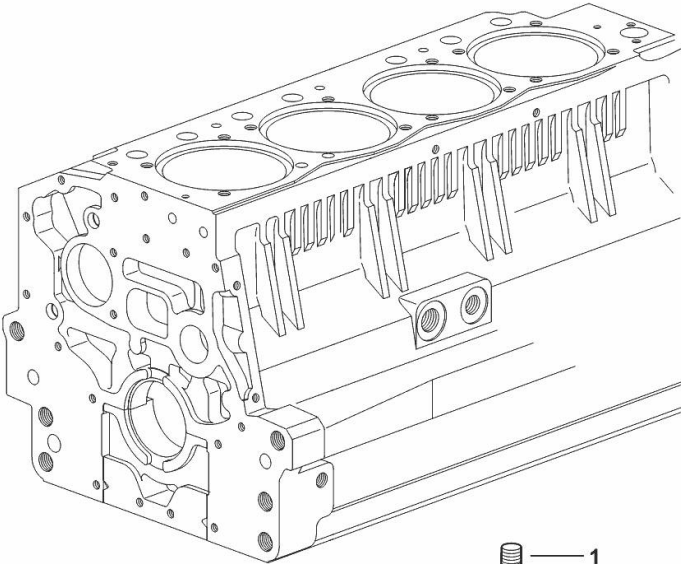


**PLUG**

| Fig. | P/n | QTY | Name |
|------|-----|-----|------|
|------|-----|-----|------|

Notes:  
 [EXPLORER 95 T 4WD] [EXPLORER 95 T 2WD]

|   |              |   |               |
|---|--------------|---|---------------|
| 1 | 2.3130.003.1 | 1 | plug 3/8" gas |
|---|--------------|---|---------------|



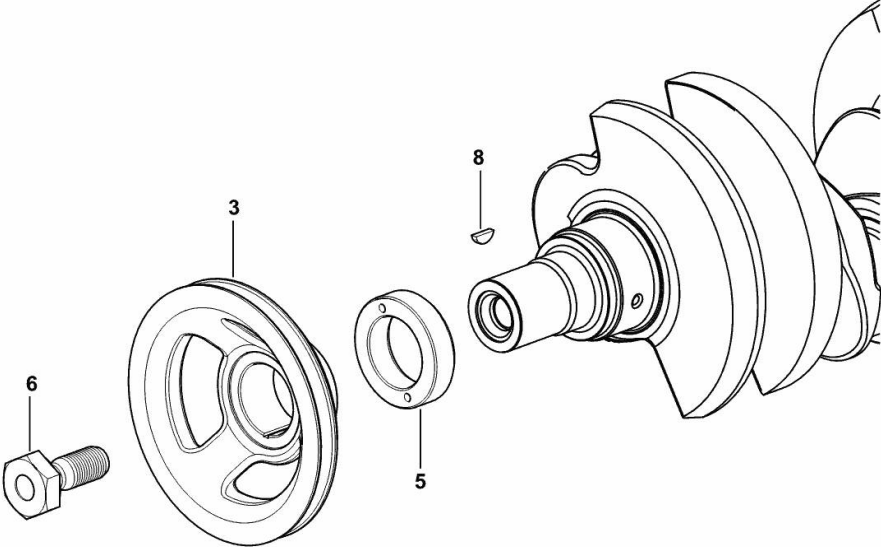
9\_34311\_06\_0-A-001

Section: B0 - ENGINE  
**CRANKSHAFT PULLEY**

| Fig. | P/n | QTY | Name |
|------|-----|-----|------|
|------|-----|-----|------|

Notes:  
[EXPLORER 95 T 4WD] [EXPLORER 95 T 2WD]

|   |                 |   |                     |
|---|-----------------|---|---------------------|
| 3 | 0.007.1457.0/30 | 1 | pulley              |
| 5 | 0.085.1248.0/20 | 1 | hub                 |
| 6 | 2.0399.144.7/10 | 1 | screw m 20 p.1.5x51 |
| 8 | 2.1720.006.0    | 1 | key 4x6.5           |



9\_33312\_02\_0-A-001

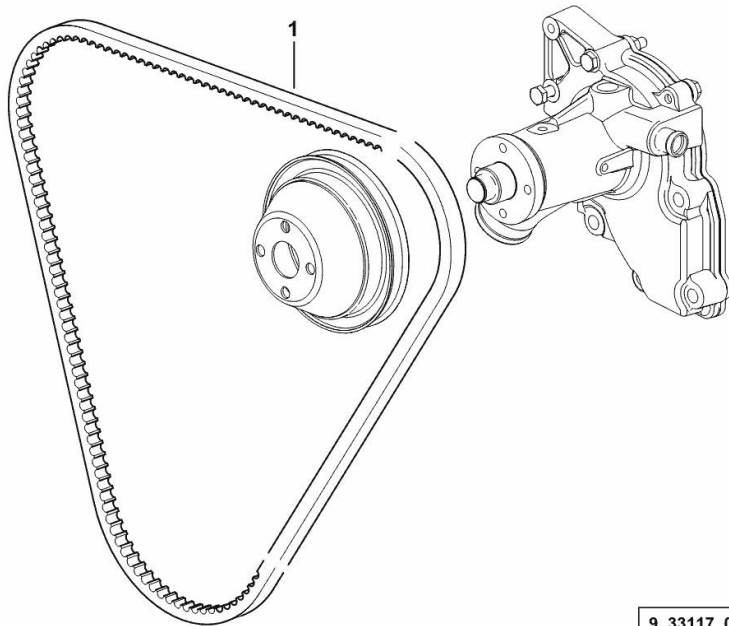
**COOLANT PUMP AND ALTERNATOR DRIVEBELT**

| Fig. | P/n | QTY | Name |
|------|-----|-----|------|
|------|-----|-----|------|

**Notes:**

[EXPLORER 95 T 2WD] [EXPLORER 95 T 4WD]

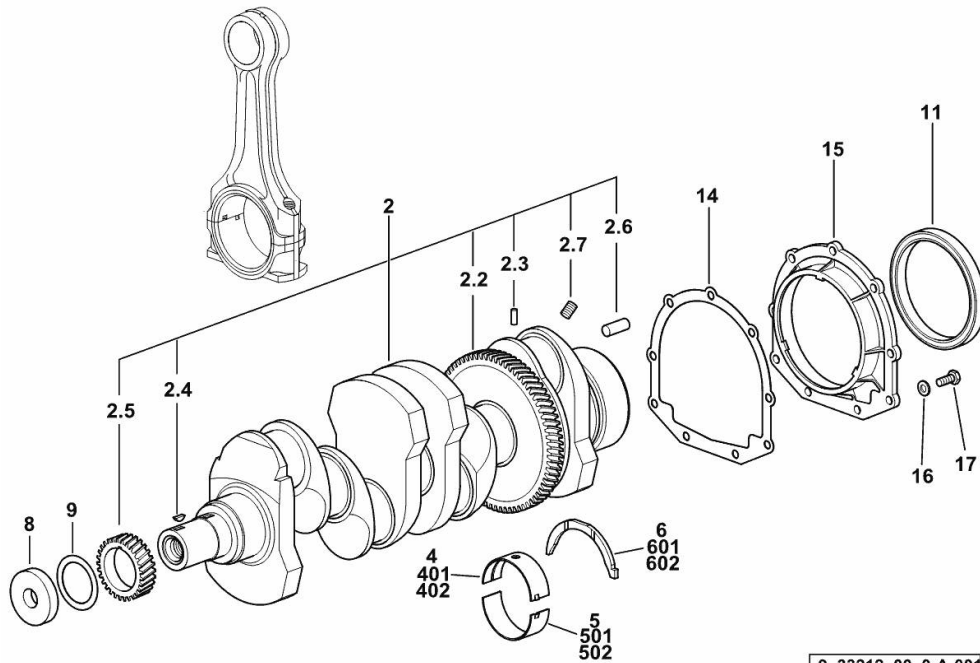
|   |              |   |                          |
|---|--------------|---|--------------------------|
| 1 | 2.4119.193.0 | 1 | vee belt AV 10 x 1254 mm |
|---|--------------|---|--------------------------|



9\_33117\_09\_0-A-001

Section: B0 - ENGINE

**CRANKSHAFT**



9\_33212\_00\_0-A-001

| Fig. | P/n | QTY | Name |
|------|-----|-----|------|
|------|-----|-----|------|

**Notes:**

[EXPLORER 95 T 4WD] 1512 <- [EXPLORER 95 T 2WD]

|     |                 |   |                             |
|-----|-----------------|---|-----------------------------|
| 2   | 0.086.1210.3/40 | 1 | crankshaft                  |
| 2.2 | 0.065.1211.0/10 | 1 | crown wheel                 |
| 2.3 | 2.1630.608.0    | 1 | pin 6x16                    |
| 2.4 | 2.1720.006.0    | 1 | key 4x6.5                   |
| 2.5 | 0.065.1323.0/30 | 1 | gear Z = 29                 |
| 2.6 | 2.1651.915.0    | 1 | pin 12x35                   |
| 2.7 | 2.3130.001.1    | 4 | plug 1/8" gas               |
| 4   | 0.065.1215.0/10 | 5 | main half bushing STANDARD  |
| 5   | 0.065.1216.0/10 | 5 | main half bushing STANDARD  |
| 6   | 0.065.1218.0    | 4 | shim STANDARD               |
| 8   | 2.1599.524.7    | 1 | washer 21x60x12             |
| 9   | 2.1589.189.0    | 2 | shoulder ring mm 1.00       |
| 11  | 2.1529.073.0    | 1 | special oil seal 110x130x13 |
| 14  | 0.065.1254.0/20 | 1 | gasket                      |
| 15  | 0.007.1711.0/10 | 1 | cover                       |
| 16  | 2.1475.002.2    | 9 | conical washer 8            |
| 17  | 2.0112.207.2    | 9 | screw m 8 p 1.25 x 20       |
| 401 | 0.065.1215.7    |   | main half bushing - mm 0.25 |
| 402 | 0.065.1215.8    |   | main half bushing - mm 0.50 |
| 501 | 0.065.1216.7    |   | main half bushing - mm 0.25 |
| 502 | 0.065.1216.8    |   | main half bushing - mm 0.50 |
| 601 | 0.065.1218.7    |   | shim + mm 0.10              |
| 602 | 0.065.1218.8    |   | shim + mm 0.15              |

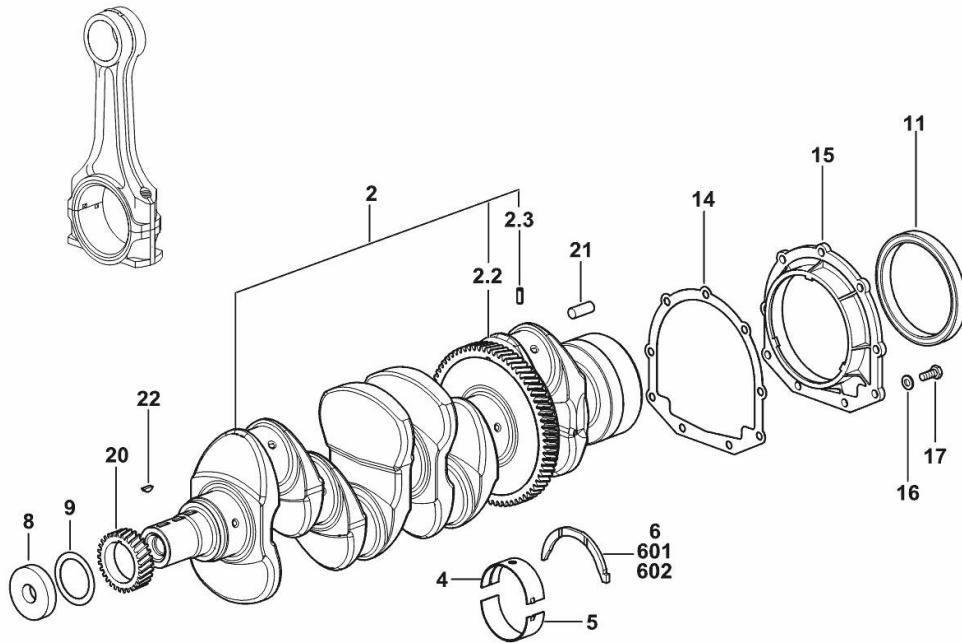
Section: B0 - ENGINE

**CRANKSHAFT**

| Fig. | P/n | QTY | Name |
|------|-----|-----|------|
|------|-----|-----|------|

**Notes:**

[EXPLORER 95 T 4WD] [EXPLORER 95 T 2WD]



|     |                 |   |                             |
|-----|-----------------|---|-----------------------------|
| 2   | 0.021.8246.3    | 1 | crankshaft                  |
| 2.2 | 0.065.1211.0/10 | 1 | crown wheel                 |
| 2.3 | 2.1630.608.0    | 1 | pin 6x16                    |
| 4   | 0.019.5455.0    | 5 | main half bushing STANDARD  |
| 5   | 0.019.5456.0    | 5 | main half bushing STANDARD  |
| 6   | 0.065.1218.0    | 4 | shim STANDARD               |
| 8   | 2.1599.524.7    | 1 | washer 21x60x12             |
| 9   | 2.1589.189.0    | 2 | shoulder ring mm 1.00       |
| 11  | 2.1529.073.0    | 1 | special oil seal 110x130x13 |
| 14  | 0.065.1254.0/20 | 1 | gasket                      |
| 15  | 0.007.1711.0/10 | 1 | cover                       |
| 16  | 2.1475.002.2    | 9 | conical washer 8            |
| 17  | 2.0112.207.2    | 9 | screw m 8 p 1.25 x 20       |
| 20  | 0.065.1323.0/30 | 1 | gear Z = 29                 |
| 21  | 2.1651.915.0    | 1 | pin 12x35                   |
| 22  | 2.1720.006.0    | 1 | key 4x6.5                   |
| 601 | 0.065.1218.7    |   | shim + mm 0.10              |
| 602 | 0.065.1218.8    |   | shim + mm 0.15              |

9\_33212\_00\_0-A-002

Section: B0 - ENGINE

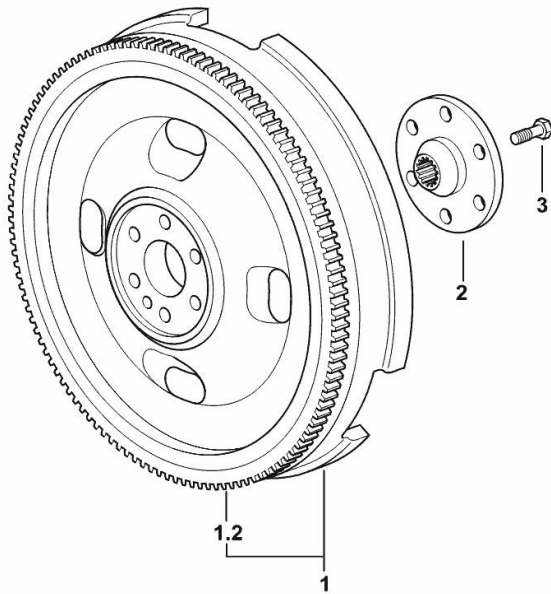
**ENGINE FLYWHEEL**

| Fig. | P/n | QTY | Name |
|------|-----|-----|------|
|------|-----|-----|------|

**Notes:**

[EXPLORER 95 T 2WD] [EXPLORER 95 T 4WD] 1204 &lt;-

|     |                 |   |                      |
|-----|-----------------|---|----------------------|
| 1   | 0.007.1702.3/30 | 1 | flywheel             |
| 1.2 | 0.065.1242.0    | 1 | crown wheel Z = 123  |
| 2   | 0.008.5543.0    | 1 | flange               |
| 3   | 2.0139.022.2    | 6 | screw m 12 p.1.25x55 |



9\_32512\_03\_0-A-001

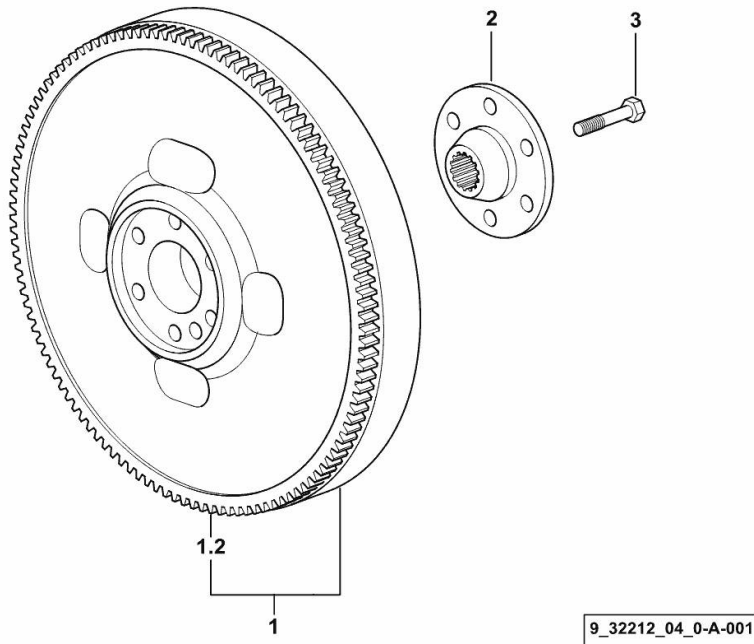
Section: B0 - ENGINE  
**ENGINE FLYWHEEL**

| Fig. | P/n | QTY | Name |
|------|-----|-----|------|
|------|-----|-----|------|

**Notes:**

[EXPLORER 95 T 4WD] -&gt; 1209

|     |                 |   |                      |
|-----|-----------------|---|----------------------|
| 1   | 0.012.2626.3/10 | 1 | flywheel             |
| 1.2 | 0.065.1242.0    | 1 | crown wheel Z = 123  |
| 2   | 0.255.2525.0/10 | 1 | flange               |
| 3   | 2.0139.022.2    | 6 | screw m 12 p.1.25x55 |



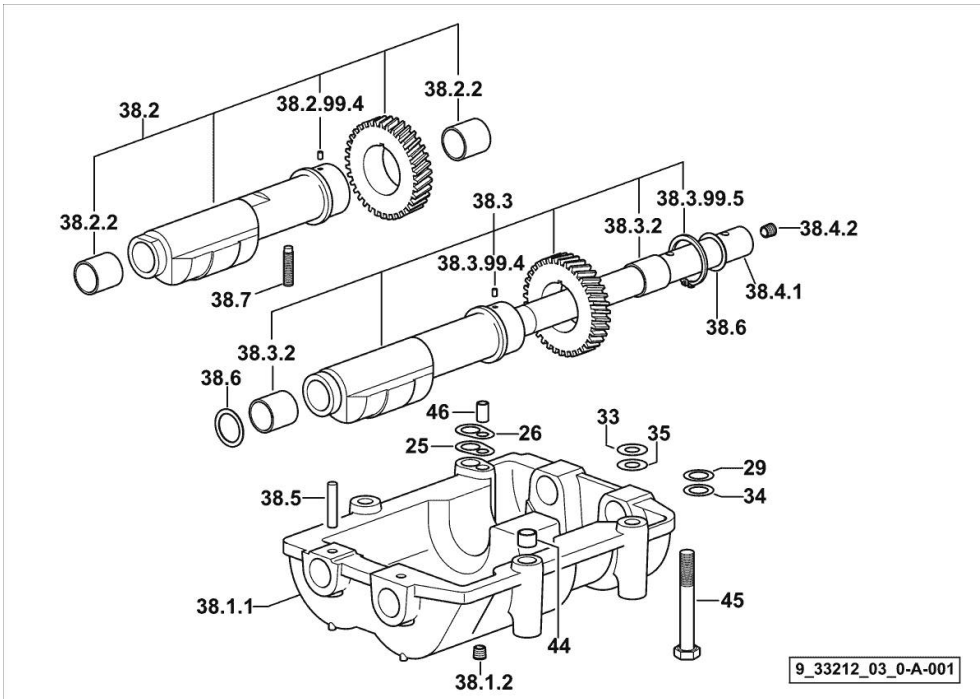
Section: B0 - ENGINE  
**COUNTERWEIGHTS**

| Fig. | P/n | QTY | Name |
|------|-----|-----|------|
|------|-----|-----|------|

**Notes:**

[EXPLORER 95 T 4WD] [EXPLORER 95 T 2WD]

|           |                 |   |                           |
|-----------|-----------------|---|---------------------------|
| 25        | 2.1589.139.0    | 1 | shoulder ring mm 0.3      |
| 26        | 2.1589.140.0    | 3 | shoulder ring mm 0.1      |
| 29        | 2.1579.628.0    | 3 | spacer 16.5x26x0.1        |
| 33        | 2.1579.629.0    | 6 | spacer 12.5x26x0.1        |
| 34        | 2.1589.048.0    | 1 | shoulder ring 16.5x26x0.3 |
| 35        | 2.1589.049.0    | 1 | shoulder ring 12.5x26x0.3 |
| 38.1.1    | 0.086.1231.0/10 | 1 | box                       |
| 38.1.2    | 2.3130.001.1    | 4 | plug 1/8" gas             |
| 38.2      | 0.086.1233.3/30 | 1 | mass sx/lh/li             |
| 38.2.2    | 2.1559.115.0    | 2 | special bushing 26x30x30  |
| 38.2.99.4 | 2.1651.302.0    | 1 | roll pin 4x6              |
| 38.3      | 0.065.1233.3/30 | 1 | mass dx/rh/re             |
| 38.3.2    | 2.1559.115.0    | 2 | special bushing 26x30x30  |
| 38.3.99.4 | 2.1651.302.0    | 1 | roll pin 4x6              |
| 38.3.99.5 | 2.1410.018.7    | 1 | circlip 45                |
| 38.4.1    | 0.065.1234.0/10 | 1 | shaft                     |
| 38.4.2    | 2.3130.001.1    | 1 | plug 1/8" gas             |
| 38.5      | 2.1631.717.0    | 2 | roll pin 8 x 40           |
| 38.6      | 2.1589.185.0    | 4 | shoulder ring 26.1x34x1   |
| 38.7      | 2.0522.212.7    | 1 | screw m 8 p.1.25 x 30     |
| 44        | 2.1579.626.0    | 2 | spacer 13.2x16x11         |
| 45        | 2.0139.028.2    | 4 | screw m 12                |
| 46        | 2.1699.191.0    | 1 | bush 7x10x16              |

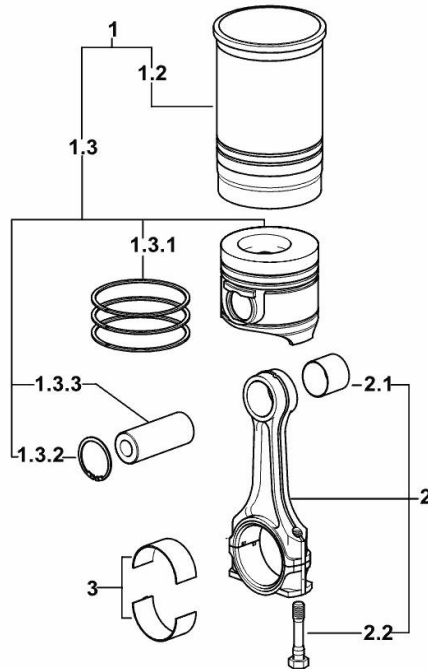


**CYLINDER - PISTON - CONNECTING ROD**

| Fig. | P/n | QTY | Name |
|------|-----|-----|------|
|------|-----|-----|------|

**Notes:**

[EXPLORER 95 T 2WD] [EXPLORER 95 T 4WD]



|       |                 |   |  |
|-------|-----------------|---|--|
| 1     | 0.099.0065.A    | 4 | cyl. piston assembly "A"<br>- CLASS A              |
| 1     | 0.099.0065.B    | 4 | cyl. piston assembly "B"<br>- CLASS B              |
| 1.2   | 0.A12.2675.0    | 1 | engine cylinder "A"<br>- CLASS A                   |
| 1.2   | 0.B12.2675.0    | 1 | engine cylinder "B"<br>- CLASS B                   |
| 1.3   | 0.099.0060.A    | 1 | complete piston "A"<br>- CLASS A                   |
| 1.3   | 0.099.0060.B    | 1 | complete piston "B"<br>- CLASS B                   |
| 1.3.1 | 0.081.0090.6/10 | 1 | piston ring set                                    |
| 1.3.2 | 2.1411.014.1    | 2 | circlip 35   |
| 1.3.3 | 0.078.1236.0    | 1 | piston pin Ø 18 / Ø 35 / L = mm 86                 |
| 2     | 0.078.1220.3/30 | 4 | engine connecting rod                              |
| 2.1   | 2.1559.114.0/10 | 1 | special bushing                                    |
| 2.2   | 2.0399.213.0    | 2 | screw m 12 p.1.25x61.5                             |
| 3     | 0.065.1225.0    | 8 | con.rod half bushing STANDARD - A = 28.75 -> 29.00 |
| 3     | 0.065.1225.7    | 8 | con.rod half bushing - mm 0.25                     |
| 3     | 0.065.1225.8    | 8 | con.rod half bushing - mm 0.50                     |

9\_M5212\_01\_M-A-001



**Suggest:**

**For more complete manuals. Please go to the home page.**

**<https://www.ebooklibonline.com>**

**If the above button click is invalid. Please download this document first, and then click the above link to download the complete manual.**

**Thank you so much for reading**

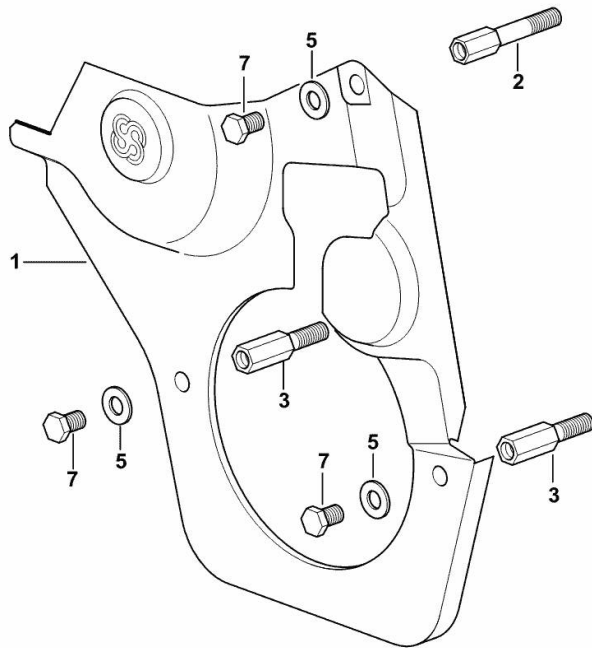
**GUARD PLATE**

| Fig. | P/n | QTY | Name |
|------|-----|-----|------|
|------|-----|-----|------|

**Notes:**

[EXPLORER 95 T 4WD] [EXPLORER 95 T 2WD]

|   |                 |   |                                     |
|---|-----------------|---|-------------------------------------|
| 1 | 0.007.1262.3/50 | 1 | guard                               |
| 2 | 0.007.1271.0/10 | 1 | small column m 8 p.1.25 / L = mm 60 |
| 3 | 0.007.1272.0/10 | 2 | small column m 8 p.1.25 / L = mm 50 |
| 5 | 2.1310.004.2    | 3 | flat washer 8.4x17                  |
| 7 | 2.0112.203.2    | 3 | screw m 8 p.1.25 x 12               |



9\_33011\_02\_0-A-001

Section: B0 - ENGINE

**TIMING CASE**

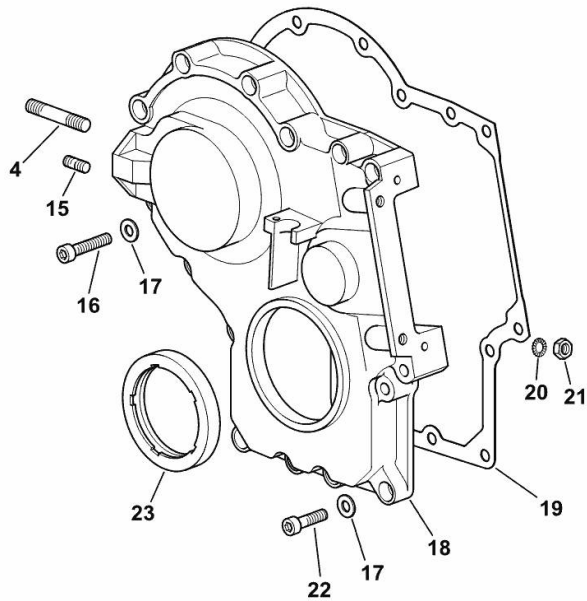
| Fig. | P/n | QTY | Name |
|------|-----|-----|------|
|------|-----|-----|------|

**Notes:**

[EXPLORER 95 T 4WD] [EXPLORER 95 T 2WD]

|    |                 |    |                                  |
|----|-----------------|----|----------------------------------|
| 4  | 2.0432.009.7    | 1  | stud bolt m 8 p.1.25 / p. 1 x 35 |
| 15 | 2.0432.003.7    | 1  | stud bolt m 8 p.1.25 / p.1 x 20  |
| 16 | 2.0312.214.2    | 7  | screw m 8 p.1.25 x 40            |
| 17 | 2.1480.014.1    | 15 | washer 8                         |
| 18 | 0.013.4981.0    | 1  | guard                            |
| 19 | 0.065.1150.0/30 | 1  | gasket                           |
| 20 | 2.1470.004.2    | 4  | lock washer 8                    |
| 21 | 2.1011.405.2    | 2  | nut m 8 p.1                      |
| 22 | 2.0312.208.2    | 8  | screw m 8 p.1.25 x 25            |
| 23 | 2.1529.167.0    | 1  | oil seal                         |

9\_M8211\_00\_0-B-001



**<https://www.ebooklibonline.com>**

Hello dear friend!

Thank you very much for reading.

Enter the link into your browser.

The full manual is available for immediate download.

**<https://www.ebooklibonline.com>**